



US00D540950S

(12) **United States Design Patent**
Johnson

(10) **Patent No.:** **US D540,950 S**

(45) **Date of Patent:** **** Apr. 17, 2007**

(54) **INCLINED BODY SUPPORT PLATFORM**

(76) **Inventor:** **Floyd M. Johnson**, 1726 E. Iowa Ave.,
St. Paul, MN (US) 55106

(**) **Term:** **14 Years**

(21) **Appl. No.:** **29/244,215**

(22) **Filed:** **Dec. 8, 2005**

Related U.S. Application Data

(62) Division of application No. 11/273,448, filed on Nov. 15,
2005.

(51) **LOC (8) Cl.** **24-04**

(52) **U.S. Cl.** **D24/183**

(58) **Field of Classification Search** D24/183-184;
D6/349, 480, 484, 601, 604; 5/630, 632,
5/648, 653; 108/43; 297/423.41, 423.45,
297/423.46, 452.31

See application file for complete search history.

(56) **References Cited**

U.S. PATENT DOCUMENTS

D156,324 S	12/1949	Dastugue	
D251,278 S	* 3/1979	Rosenthal	D6/349
4,228,745 A	* 10/1980	Gale	297/423.45
D268,796 S	5/1983	Kola	
D271,256 S	* 11/1983	McClelland	D6/349
5,105,489 A	* 4/1992	Meyer	D24/183
D337,211 S	* 7/1993	Bergkvist	D6/349
D346,704 S	* 5/1994	Grosfillex	D6/484
D406,210 S	3/1999	Johnson	
D407,259 S	* 3/1999	Jackson	D6/604
6,009,578 A	* 1/2000	Davis	297/452.31
D435,993 S	1/2001	Johnson	

D439,100 S	* 3/2001	Owaku	D6/601
D452,404 S	* 12/2001	Cameron	D6/601
6,578,217 B1	* 6/2003	Roberson	5/632
D477,492 S	* 7/2003	Moody	D6/601
7,066,547 B1	* 6/2006	Russell et al.	297/423.41

OTHER PUBLICATIONS

TM 1,898,956, Jun. 13, 1995, Stadum.

* cited by examiner

Primary Examiner—Louis Zarfaz

Assistant Examiner—Mark Cavanna

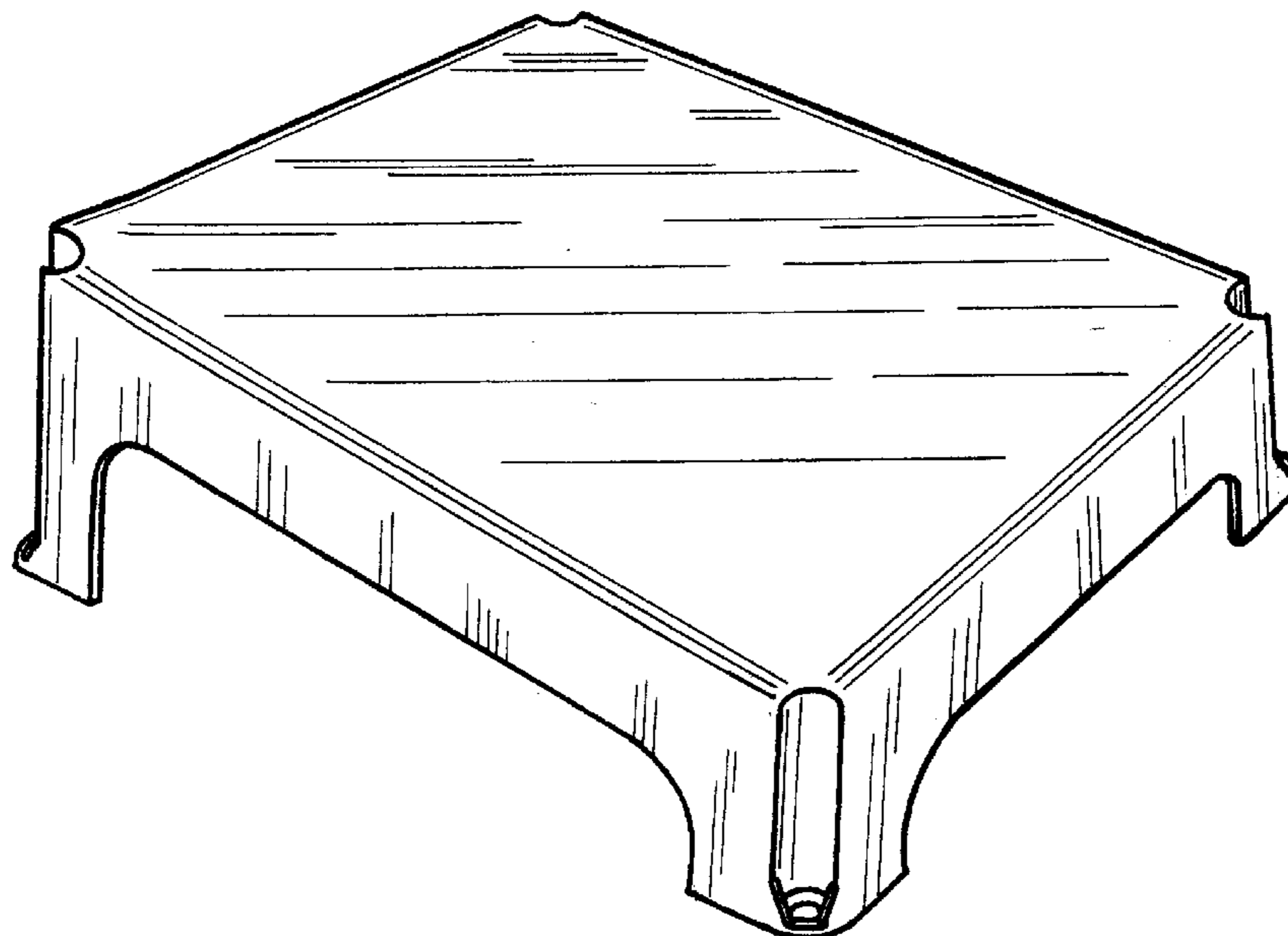
(57) **CLAIM**

The ornamental design of an inclined body support platform,
as shown and described.

DESCRIPTION

FIG. 1 is a perspective view of an inclined body support platform of my design;
 FIG. 2 is a side elevational view of the left side thereof;
 FIG. 3 is a top plan view thereof;
 FIG. 4 is a front elevational view thereof;
 FIG. 5 is a rear elevational view thereof;
 FIG. 6 is a side elevational view of the right side thereof;
 FIG. 7 is a bottom plan view thereof;
 FIG. 8 is an enlarged sectional view taken along the line 8—8 of FIG. 6;
 FIG. 9 is an enlarged sectional view taken along the line 9—9 of FIG. 6;
 FIG. 10 is a sectional view taken along line 10—10 of FIG. 3; and,
 FIG. 11 is a sectional view taken along line 11—11 of FIG. 3.

1 Claim, 5 Drawing Sheets



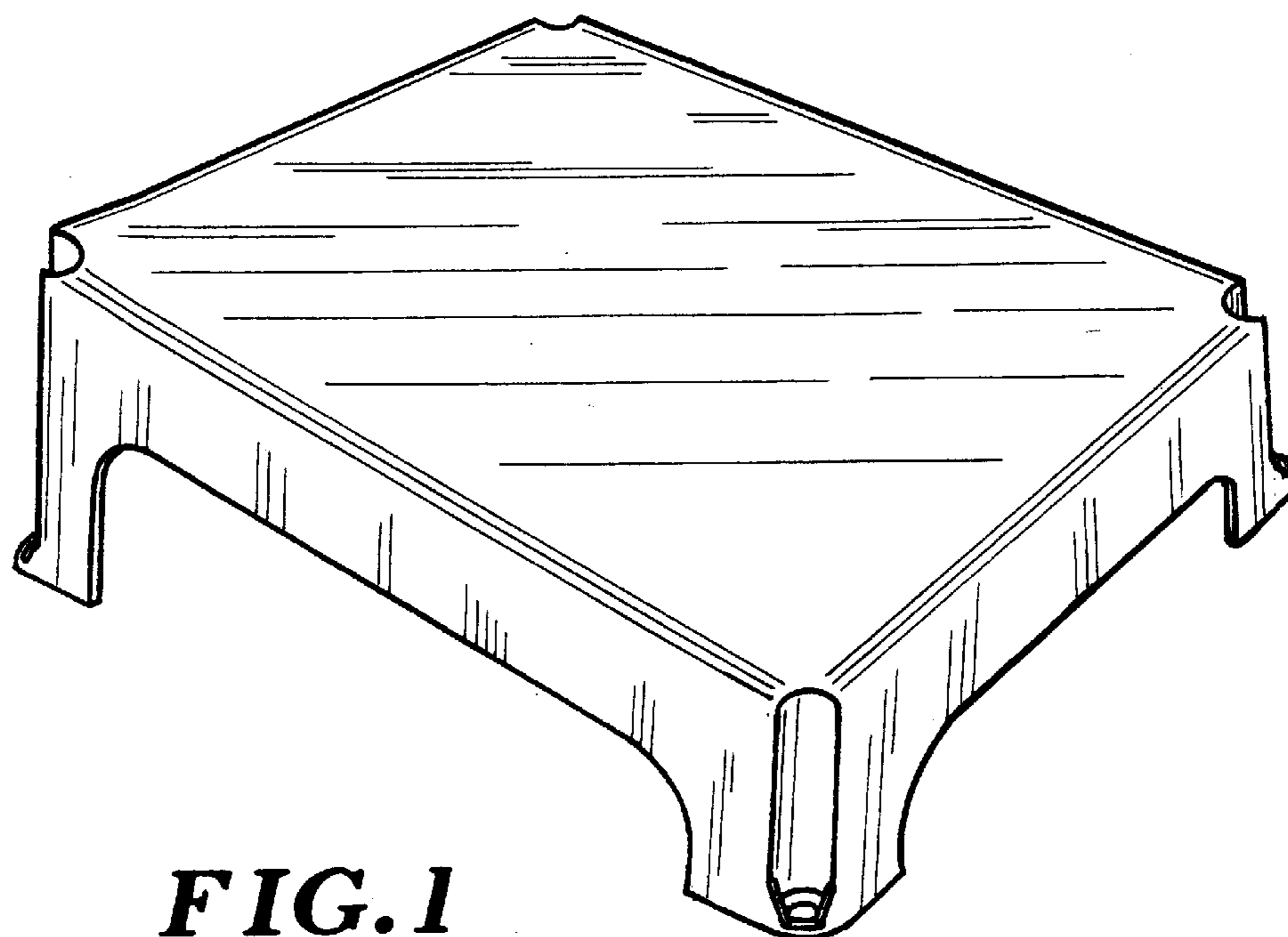


FIG. 1

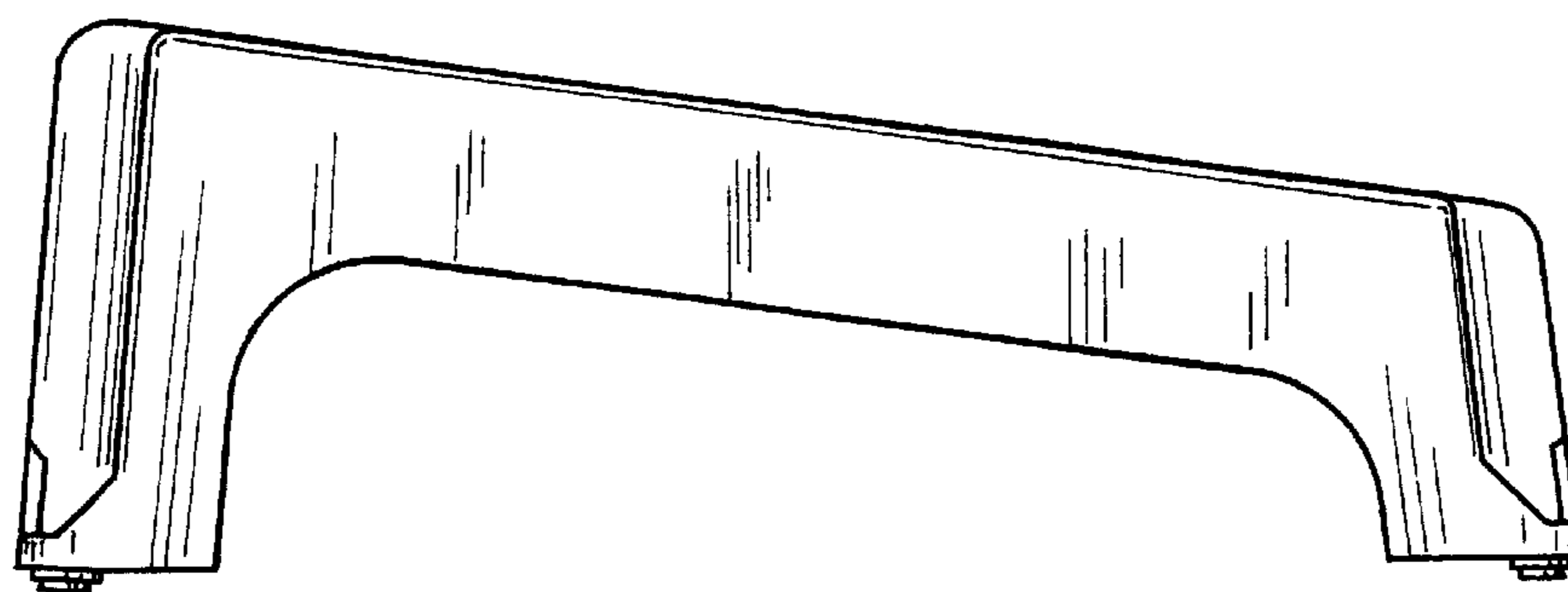


FIG. 2

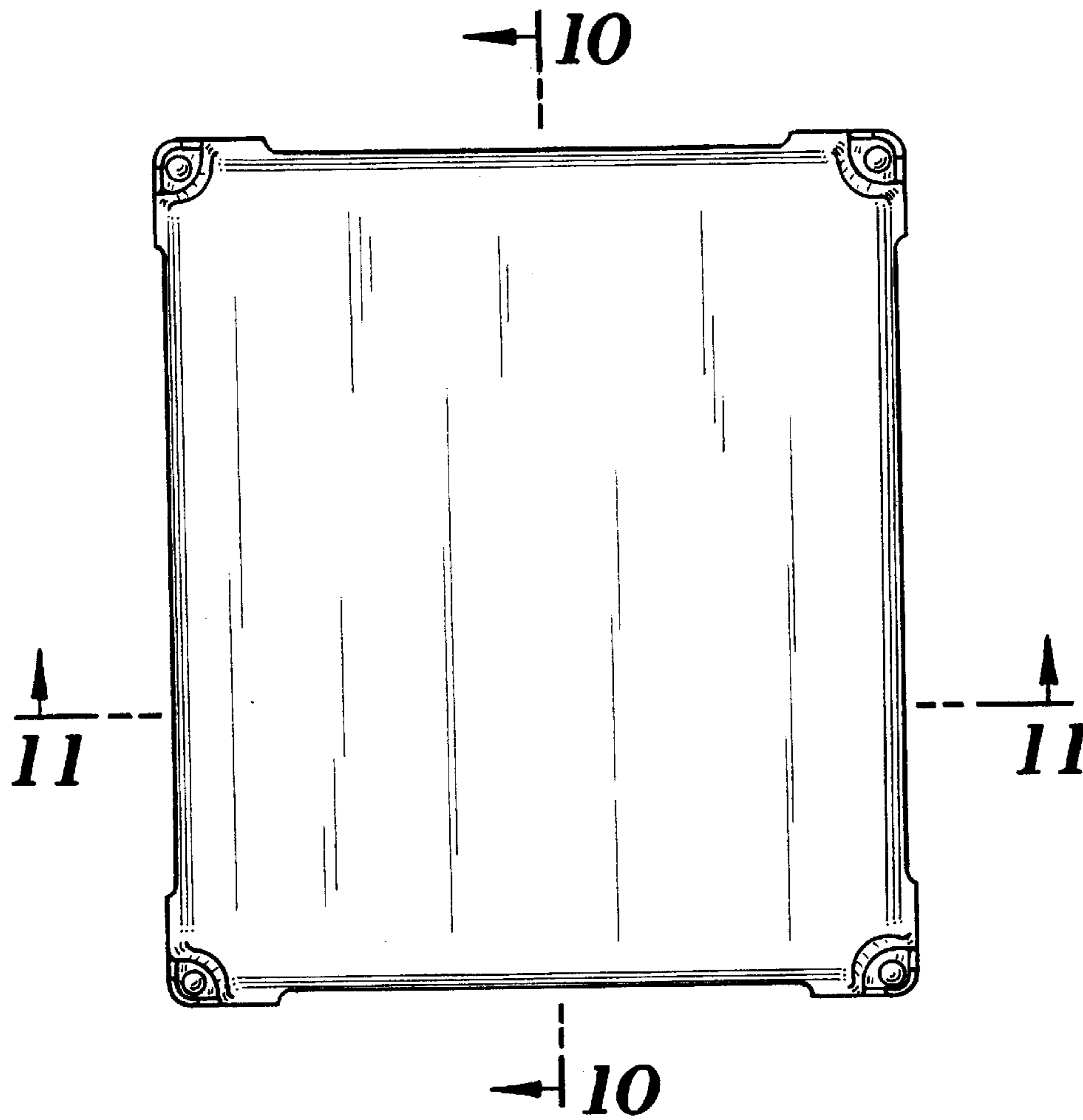


FIG. 3

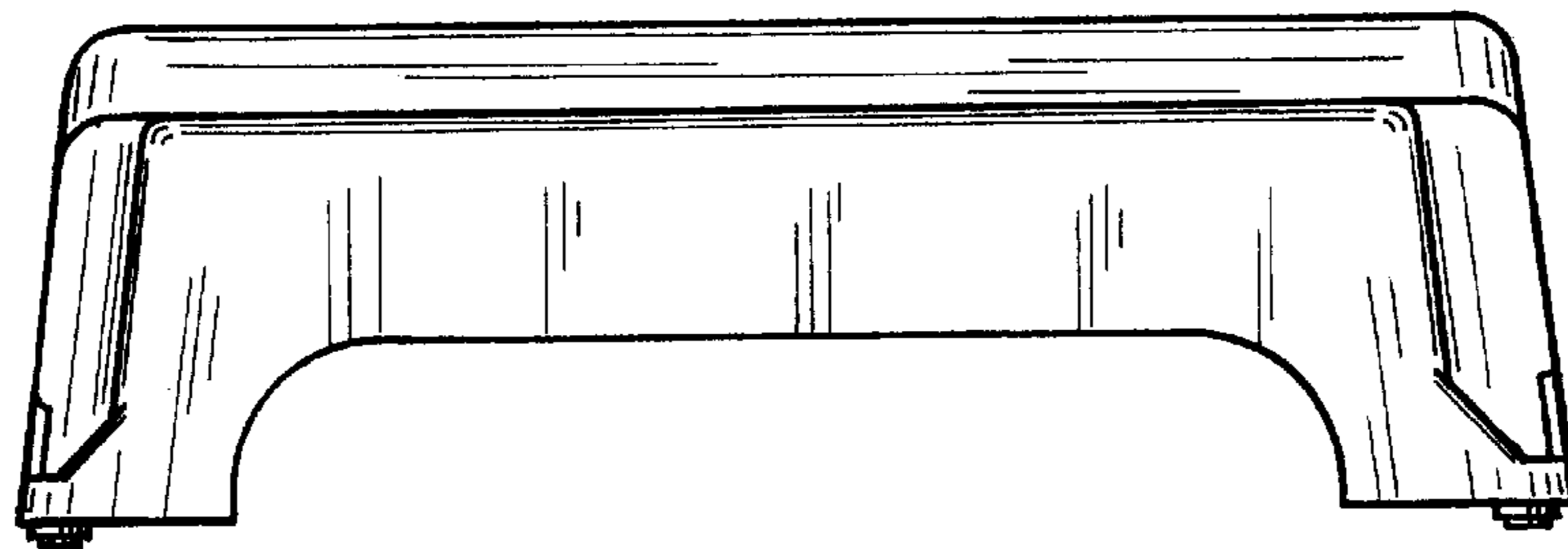


FIG. 4

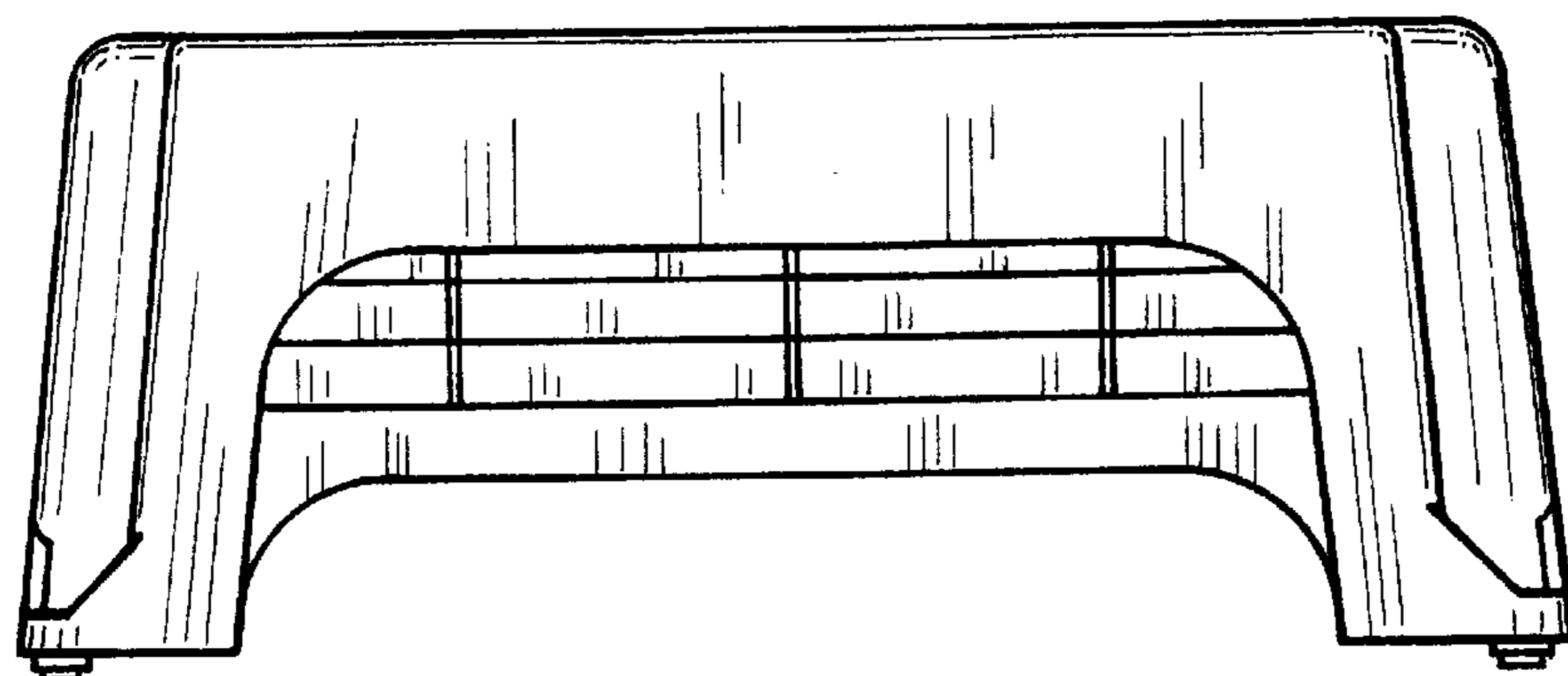


FIG. 5

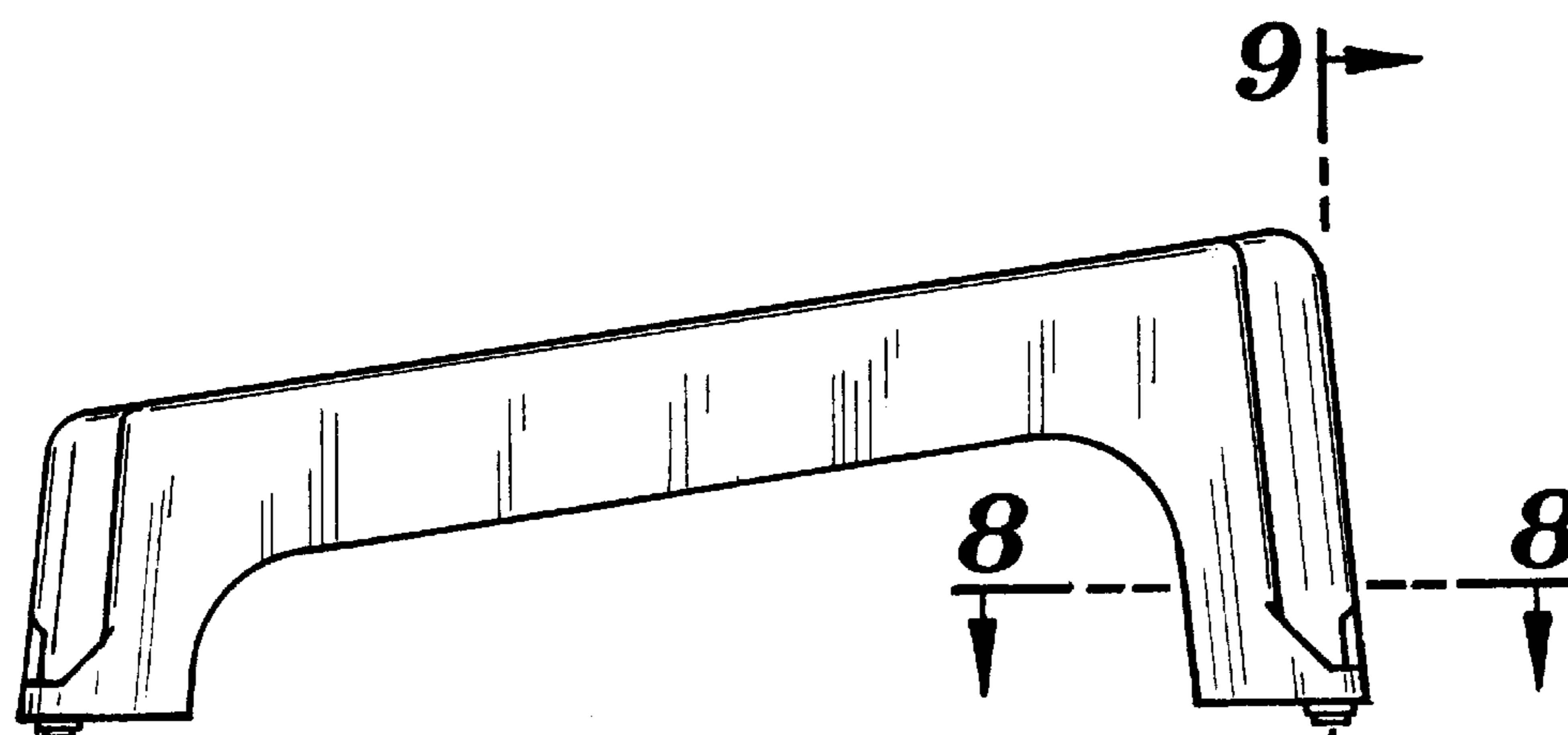


FIG. 6

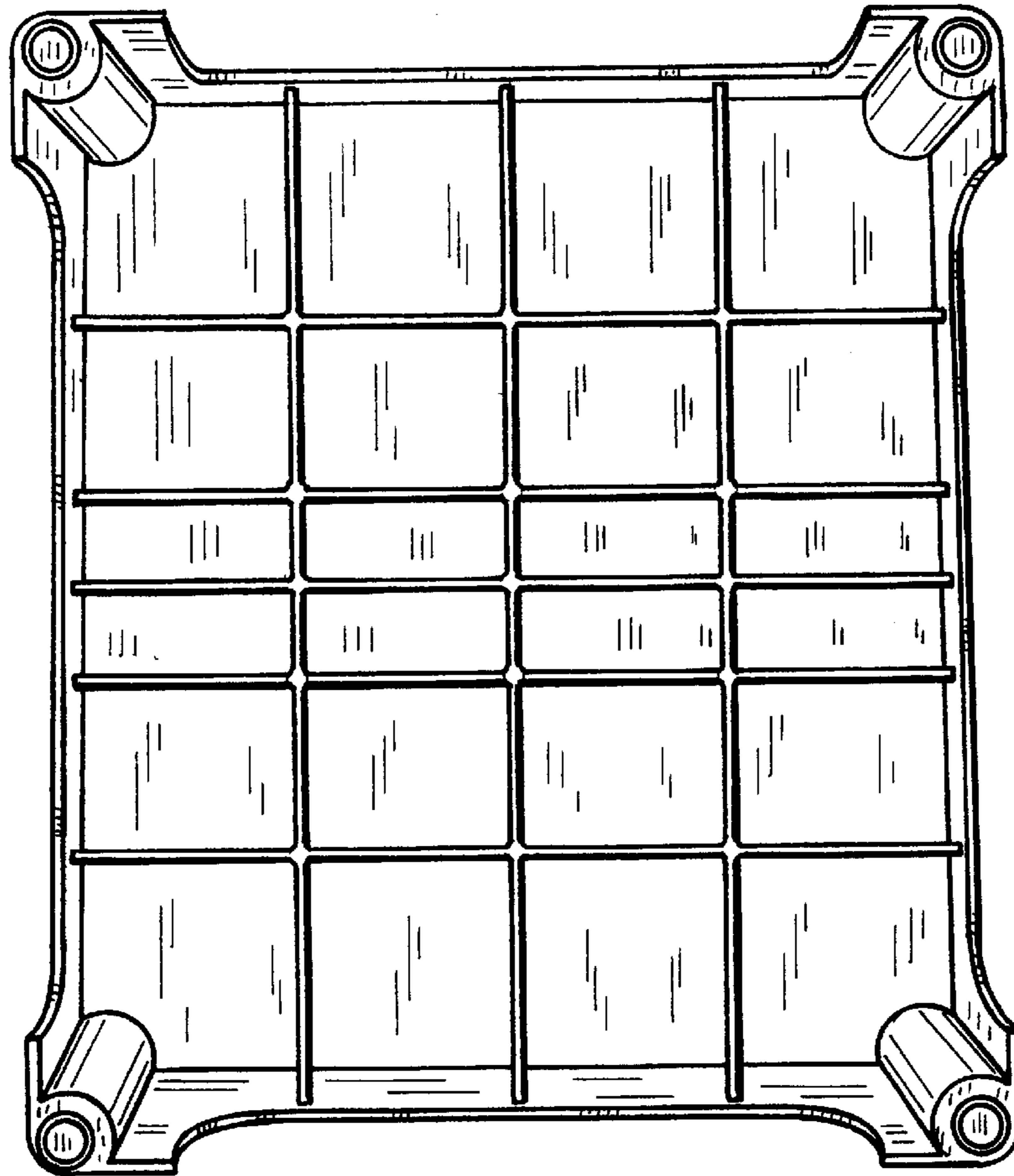


FIG. 7

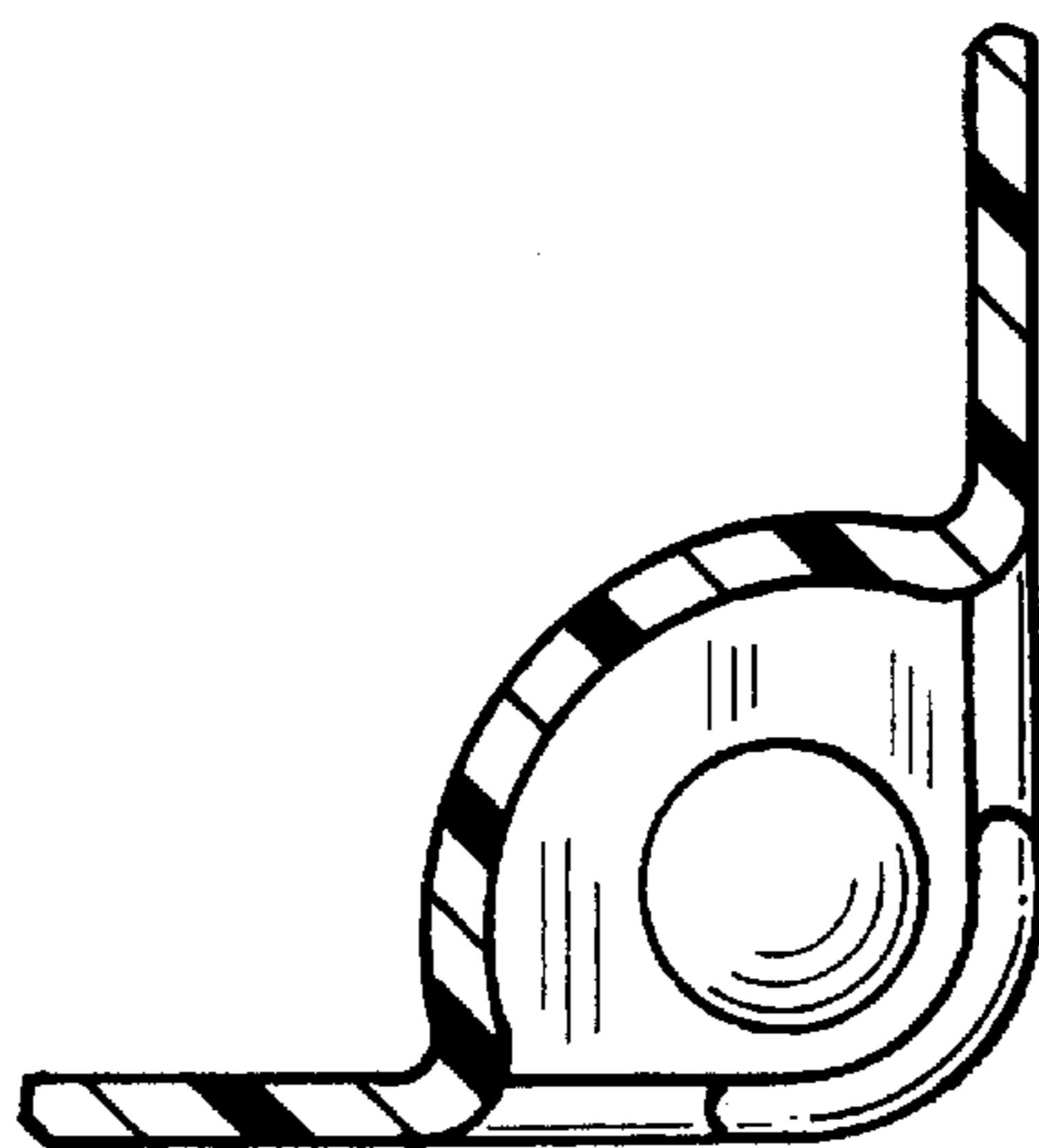


FIG. 8

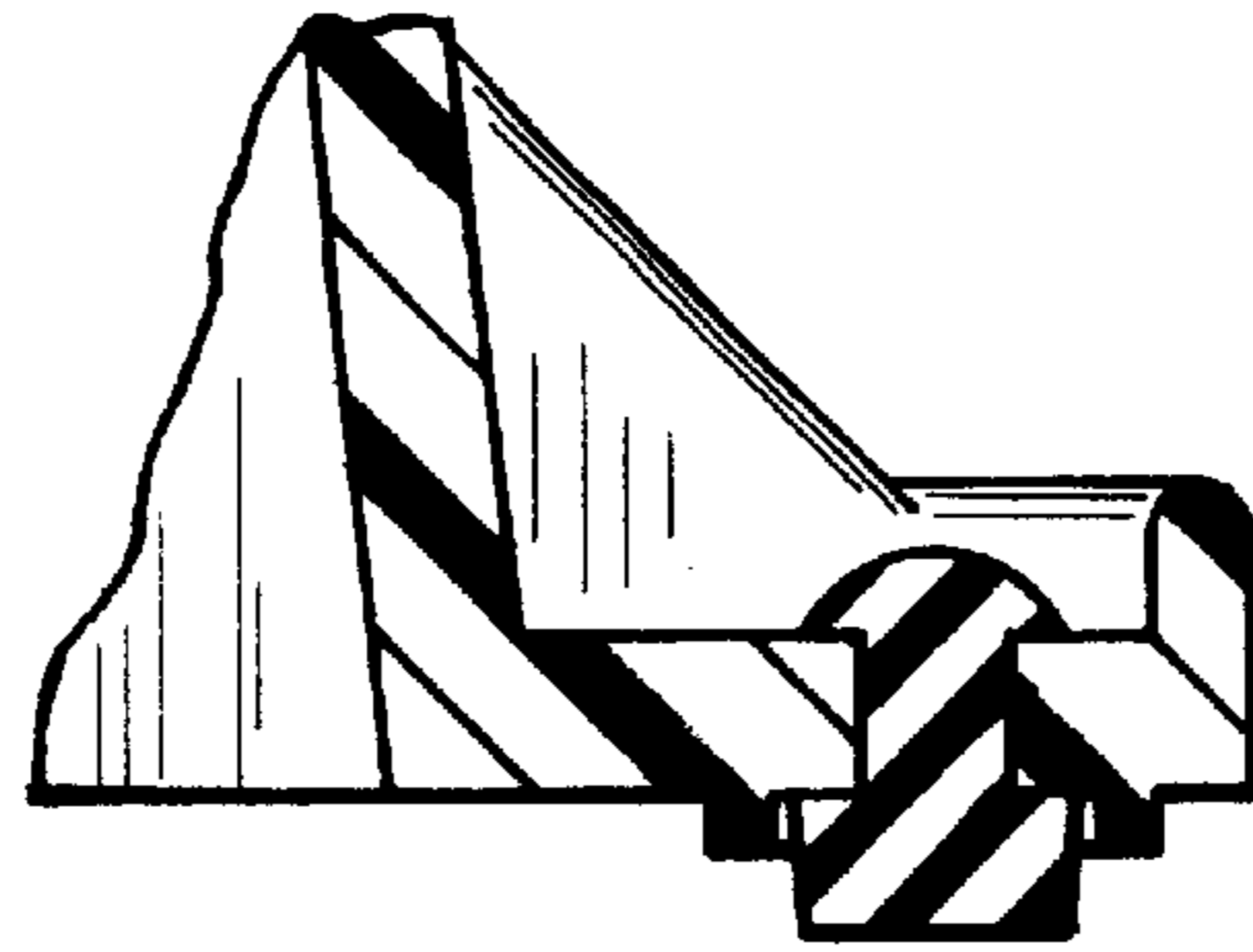


FIG. 9

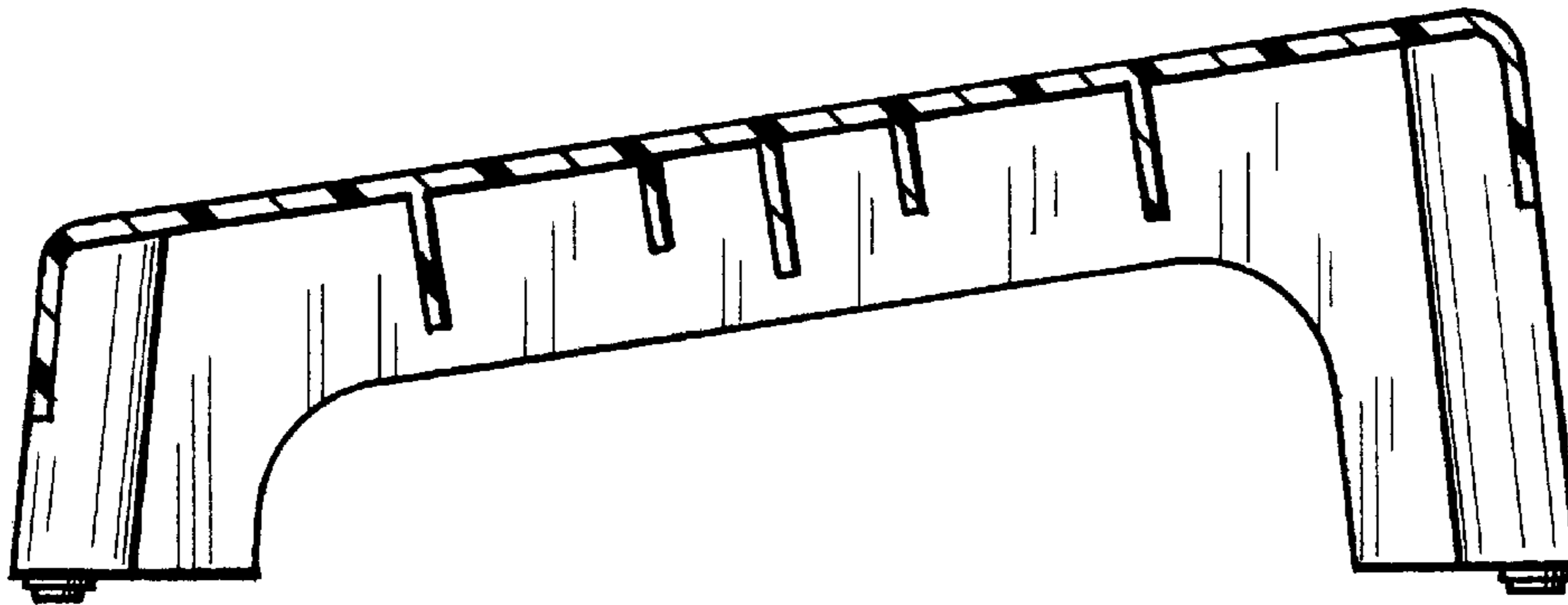


FIG. 10

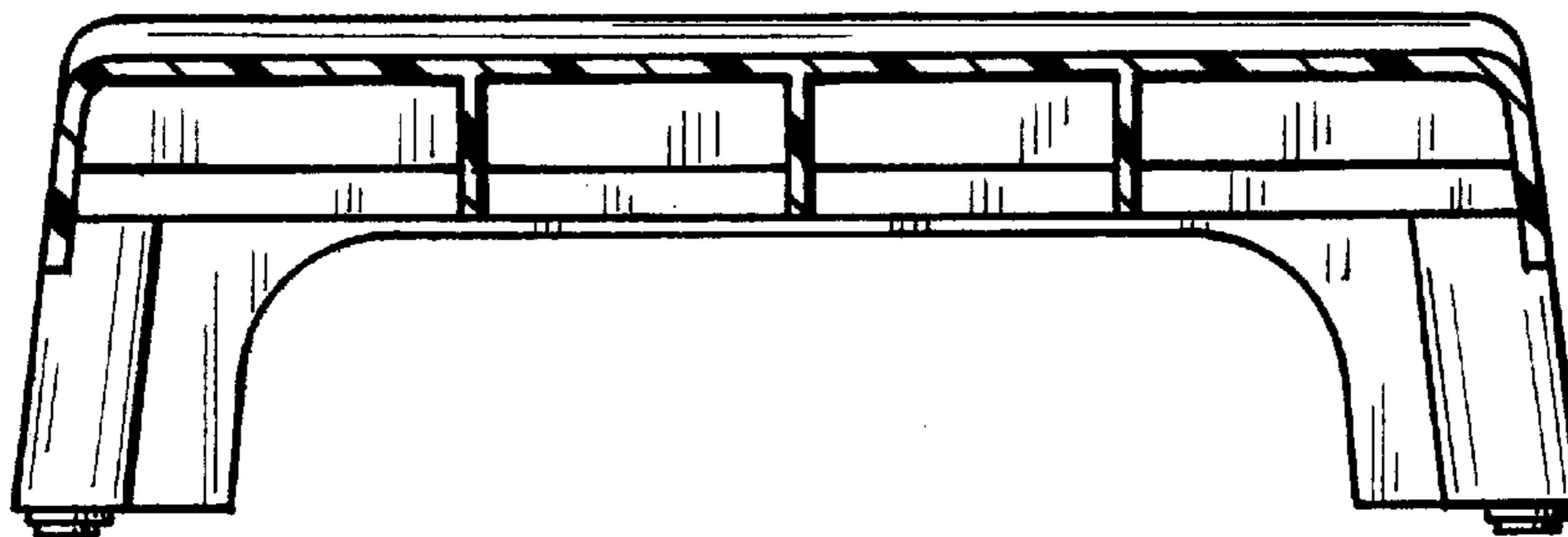


FIG. 11