



US00D540949S

(12) **United States Design Patent**  
**Sundstrom**

(10) **Patent No.:** **US D540,949 S**

(45) **Date of Patent:** **\*\* Apr. 17, 2007**

(54) **EXAMINATION TABLE**

(75) Inventor: **Christer Sundstrom**, Solna (SE)

(73) Assignee: **Stille Sonesta AB**, Solna (SE)

(\*\*) Term: **14 Years**

(21) Appl. No.: **29/238,155**

(22) Filed: **Sep. 13, 2005**

(51) **LOC (8) Cl.** ..... **24-01**

(52) **U.S. Cl.** ..... **D24/183**

(58) **Field of Classification Search** ..... D24/183,  
D24/188; 5/613, 622, 600, 607, 610-612,  
5/618; 312/209; 297/327

See application file for complete search history.

(56) **References Cited**

**U.S. PATENT DOCUMENTS**

4,751,754	A *	6/1988	Bailey et al.	5/611
4,894,876	A *	1/1990	Fenwick	5/602
6,073,284	A *	6/2000	Borders	5/600
6,131,215	A *	10/2000	Lindell	5/610
6,173,461	B1 *	1/2001	Alexander	5/618
6,237,172	B1 *	5/2001	Morgan, Sr.	5/618
6,427,263	B1 *	8/2002	Lindell	5/610
D463,563	S *	9/2002	Schoenig et al.	D24/183
6,942,226	B2 *	9/2005	Walkingshaw	5/620

2002/0056162 A1 \* 5/2002 Flynn et al. .... 5/611

\* cited by examiner

*Primary Examiner*—Louis S. Zarfes

*Assistant Examiner*—Mark Cavanna

(74) *Attorney, Agent, or Firm*—Dowell & Dowell, P.C.

(57) **CLAIM**

The ornamental design for an examination table, as shown and described.

**DESCRIPTION**

FIG. 1 is a left front perspective view of an examination table showing my new design;

FIG. 2 is a right front perspective view thereof;

FIG. 3 is a right rear perspective view thereof;

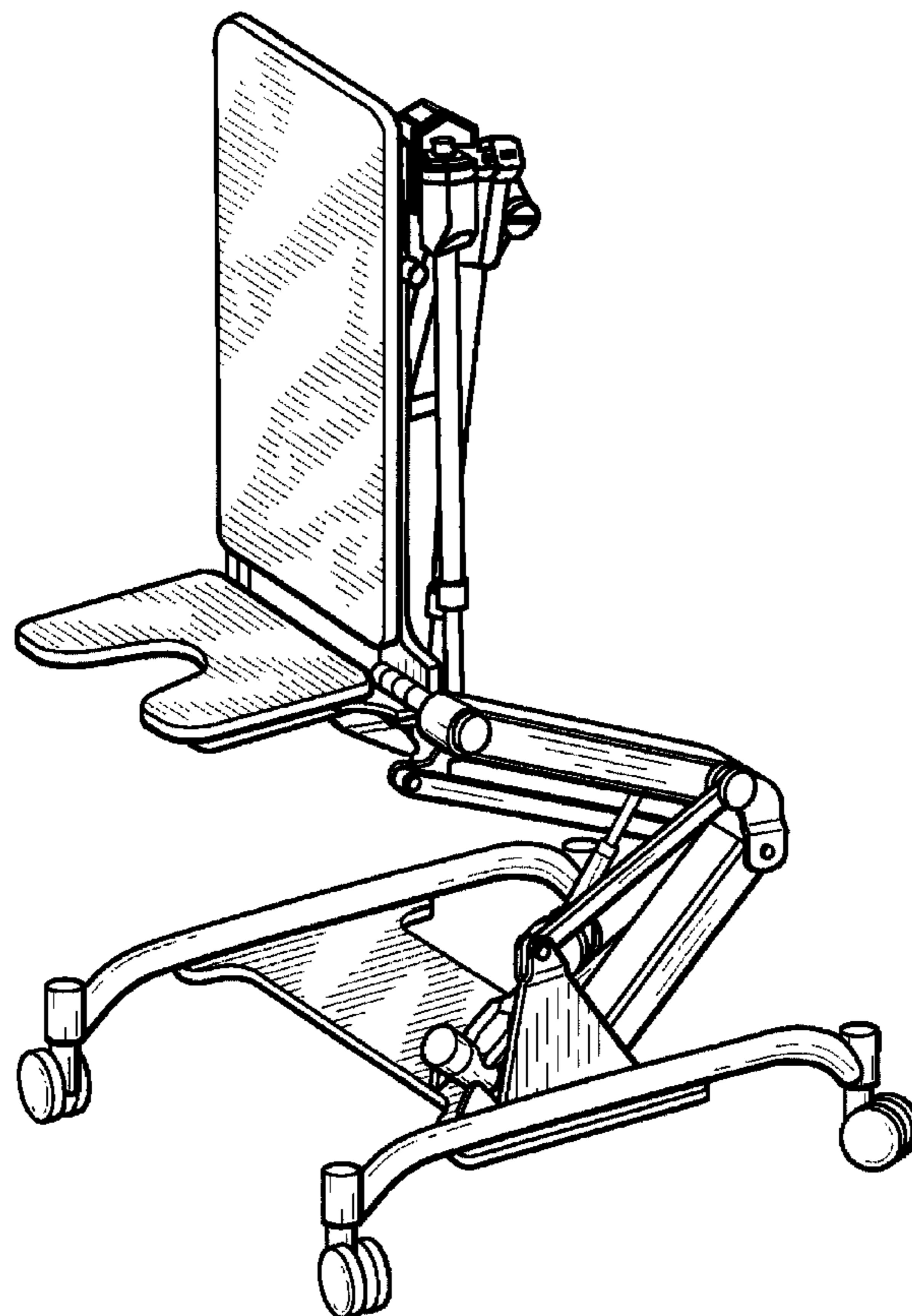
FIG. 4 is right side view thereof;

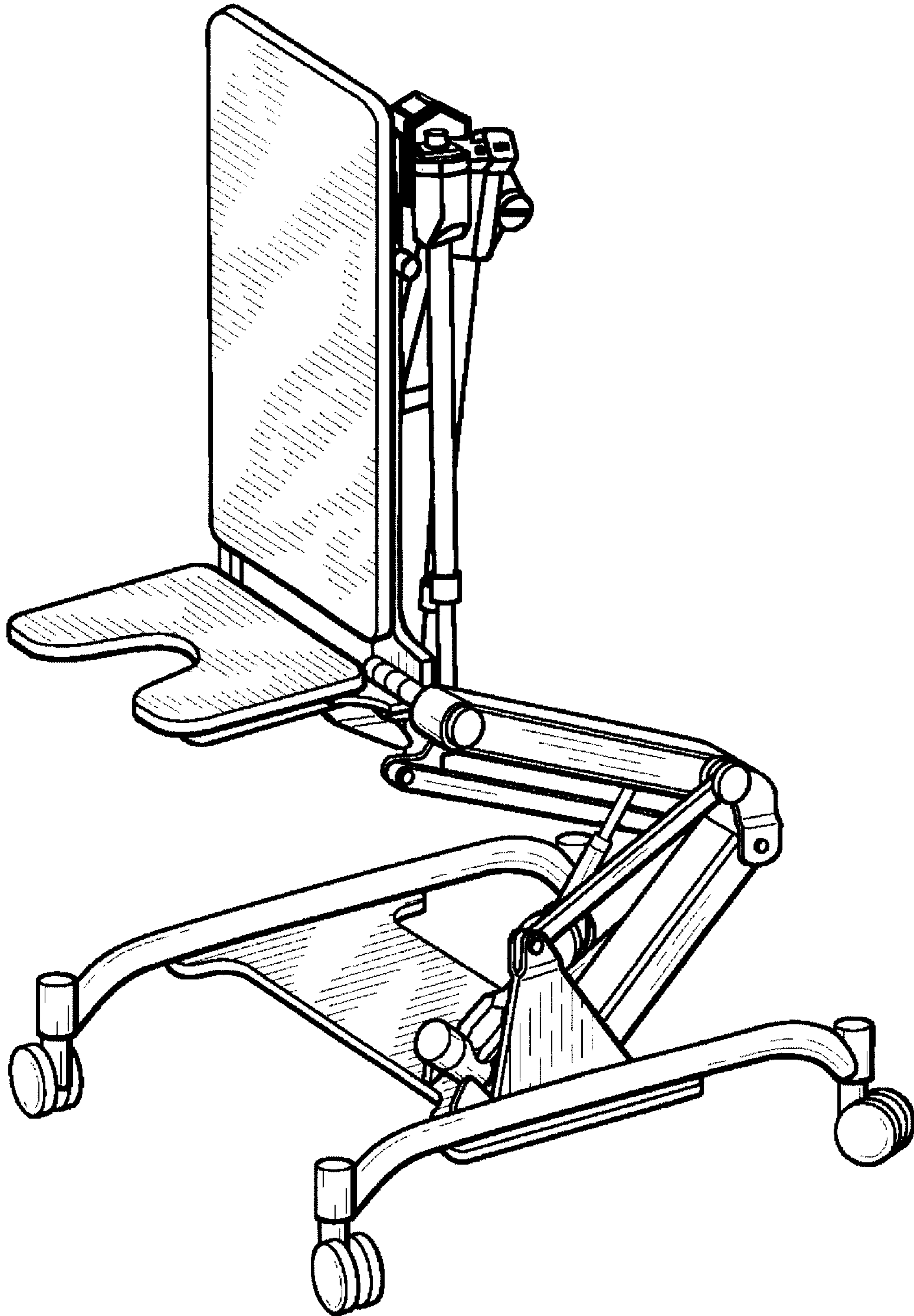
FIG. 5 is a right side view similar to FIG. 4 except showing a backrest portion of the table lowered to a horizontal orientation;

FIG. 6 is a right side view similar to FIG. 5 except showing the backrest portion and seat portion of the table in a tilted orientation; and,

FIG. 7 a right side view similar to FIGS. 5 and 6 except showing the backrest portion and seat portion of the table in a vertical orientation.

**1 Claim, 5 Drawing Sheets**





*FIG. 1*

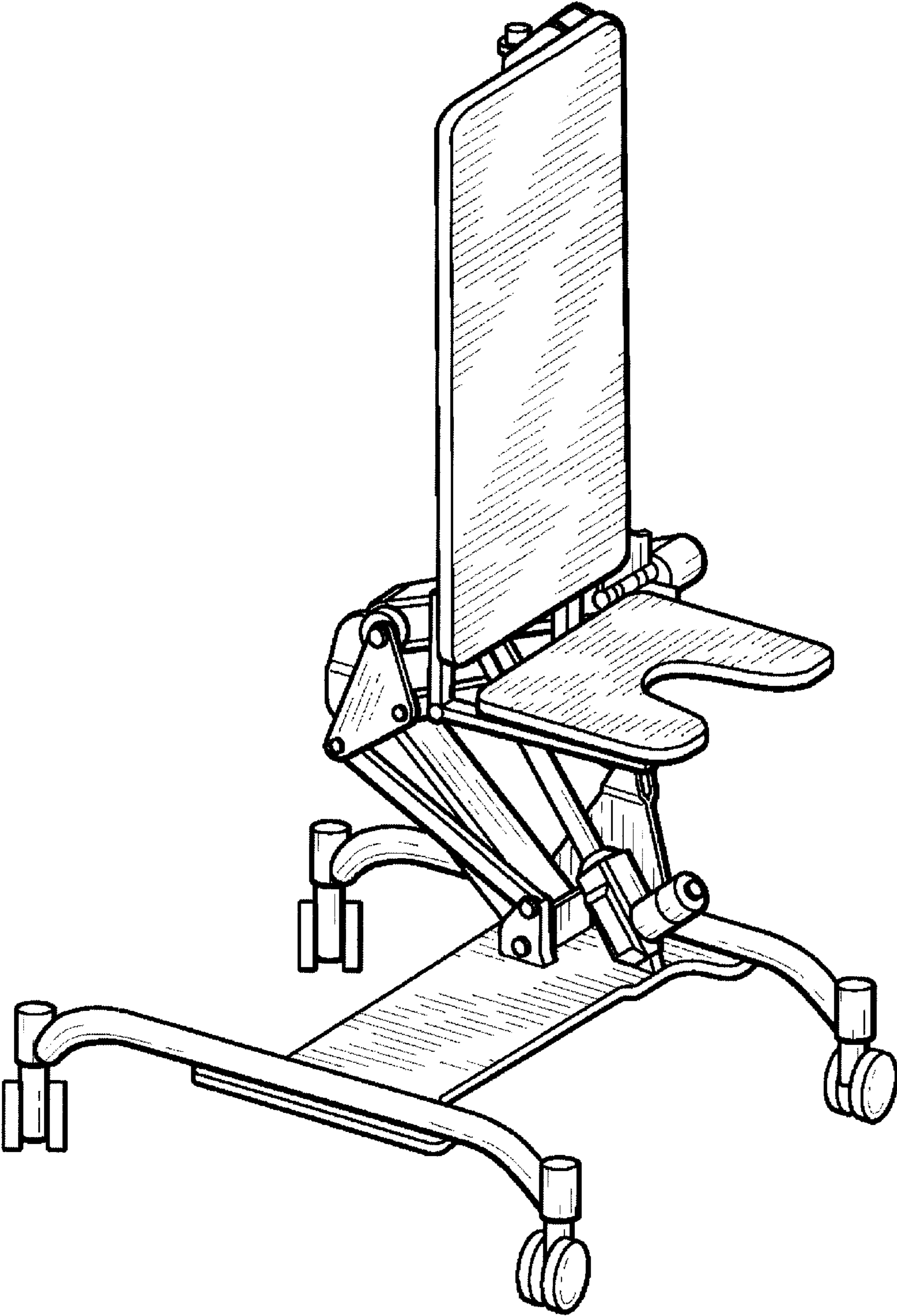


FIG. 2

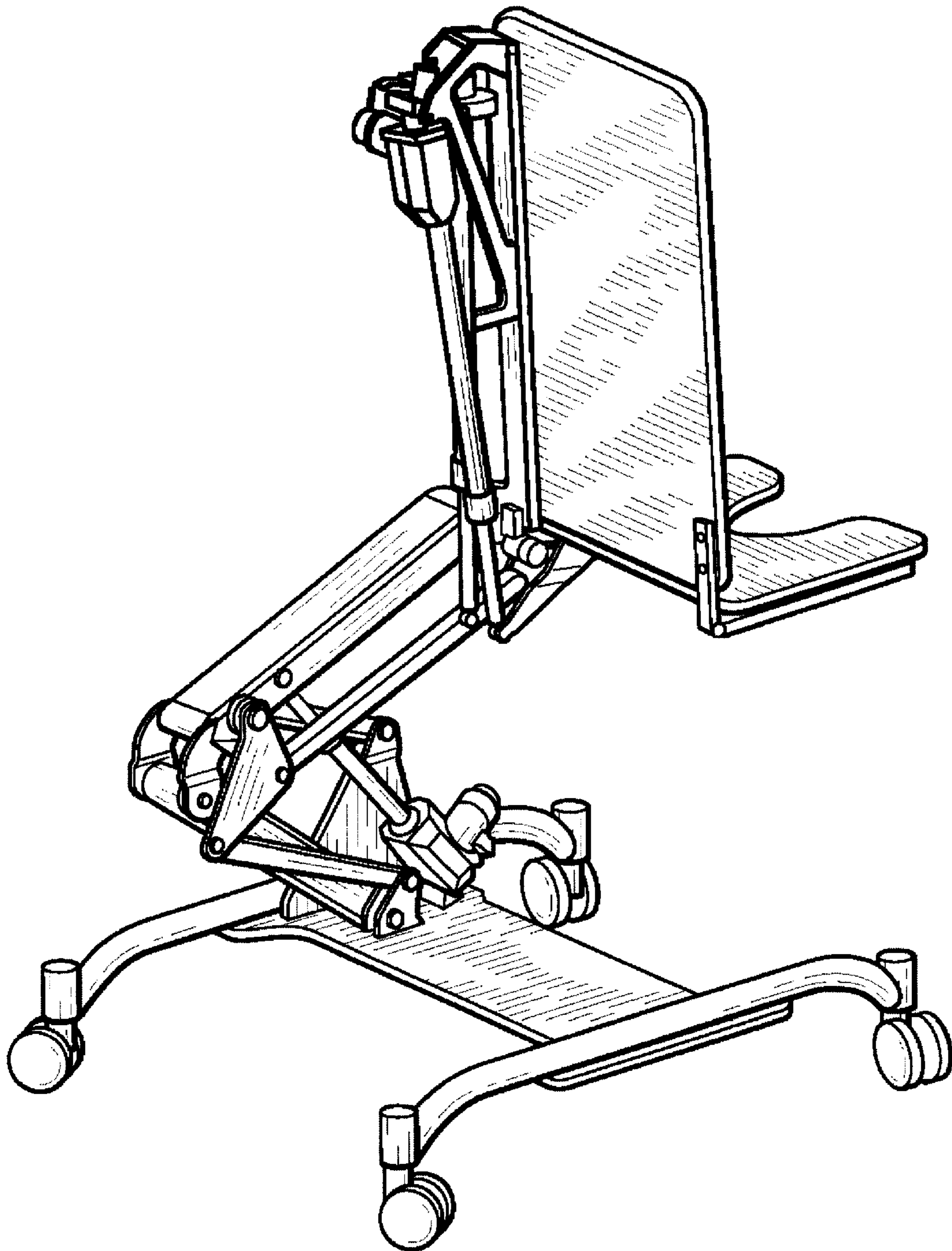


FIG. 3

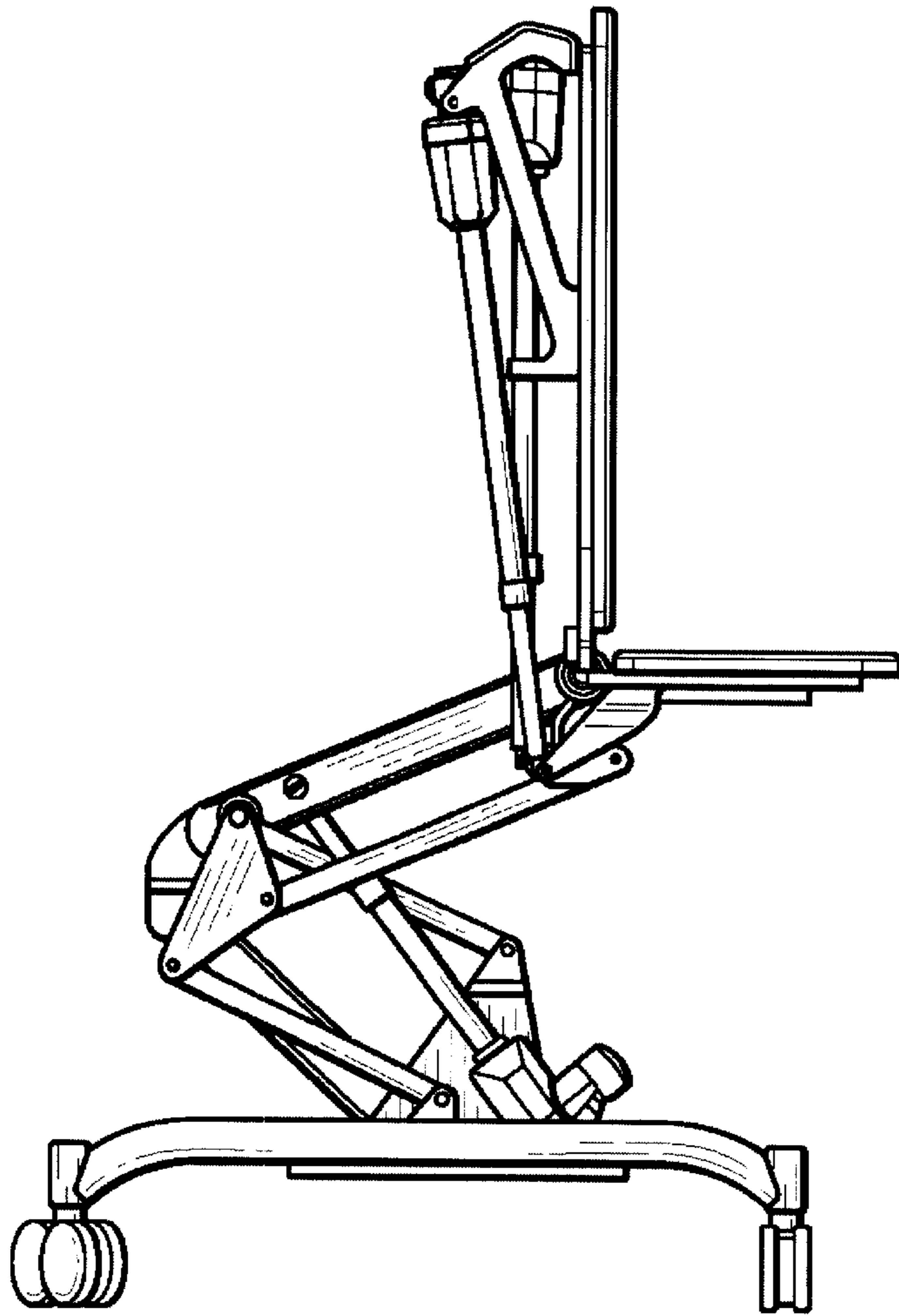


FIG. 4

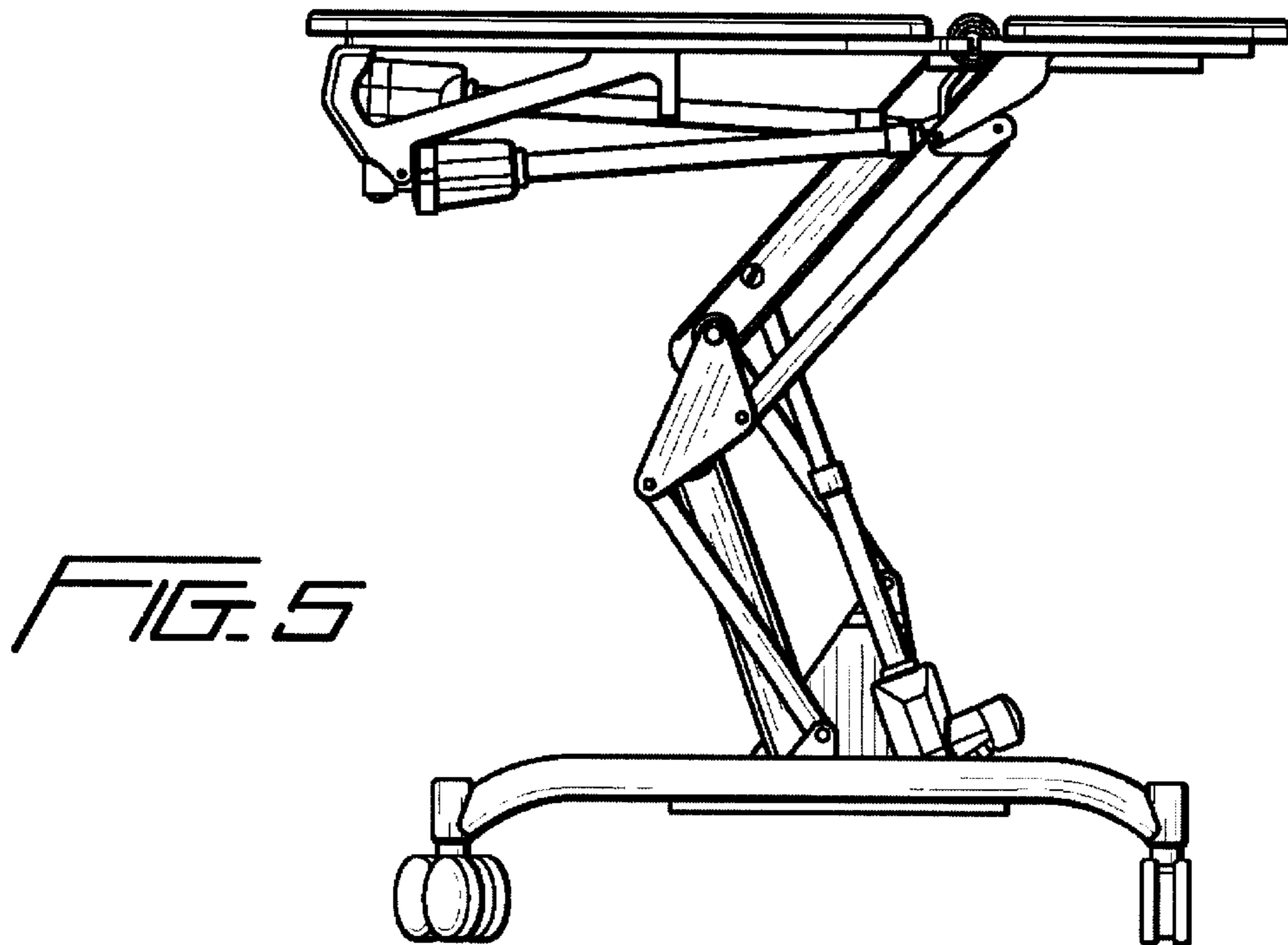


FIG. 5

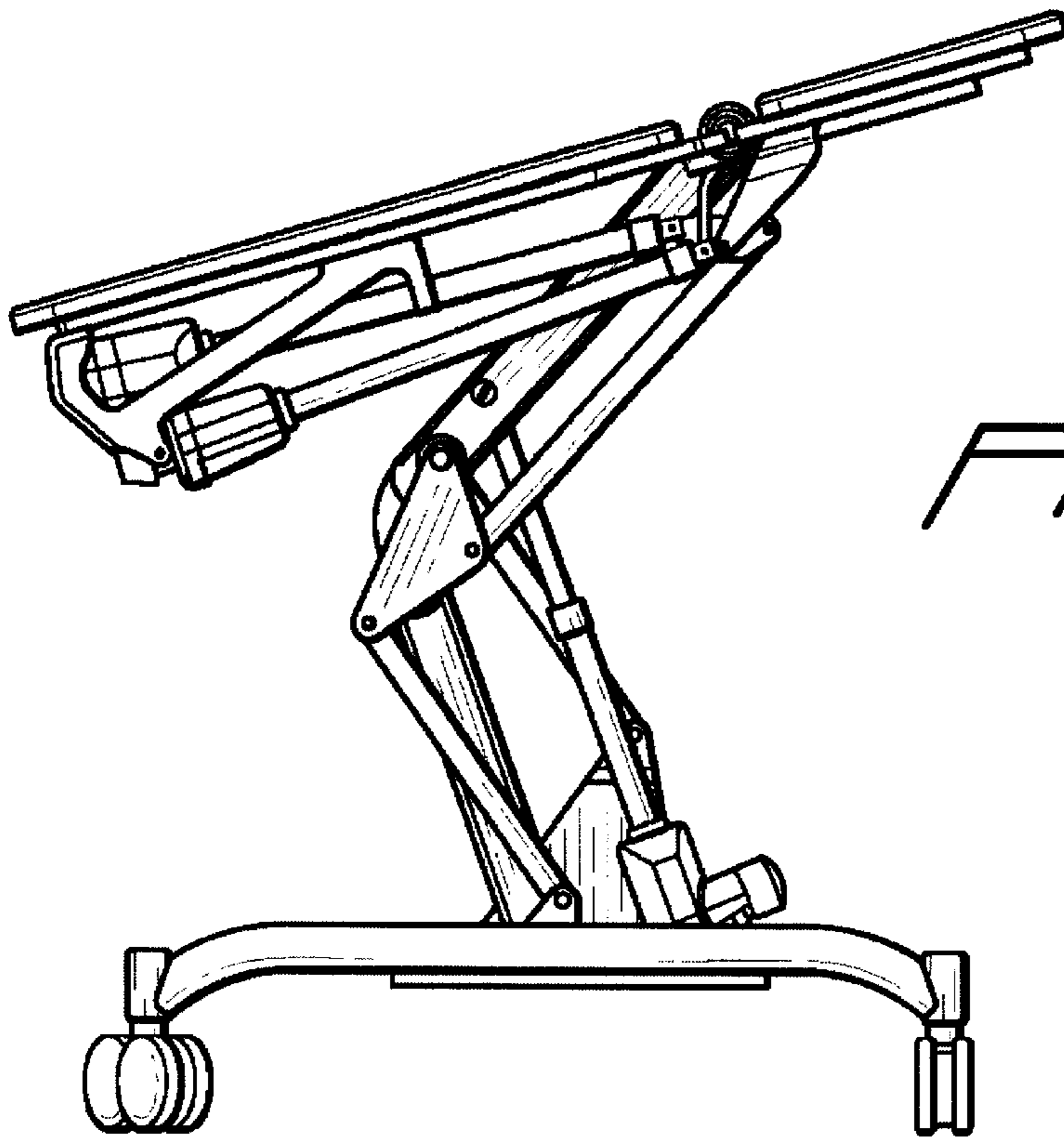


FIG. 6

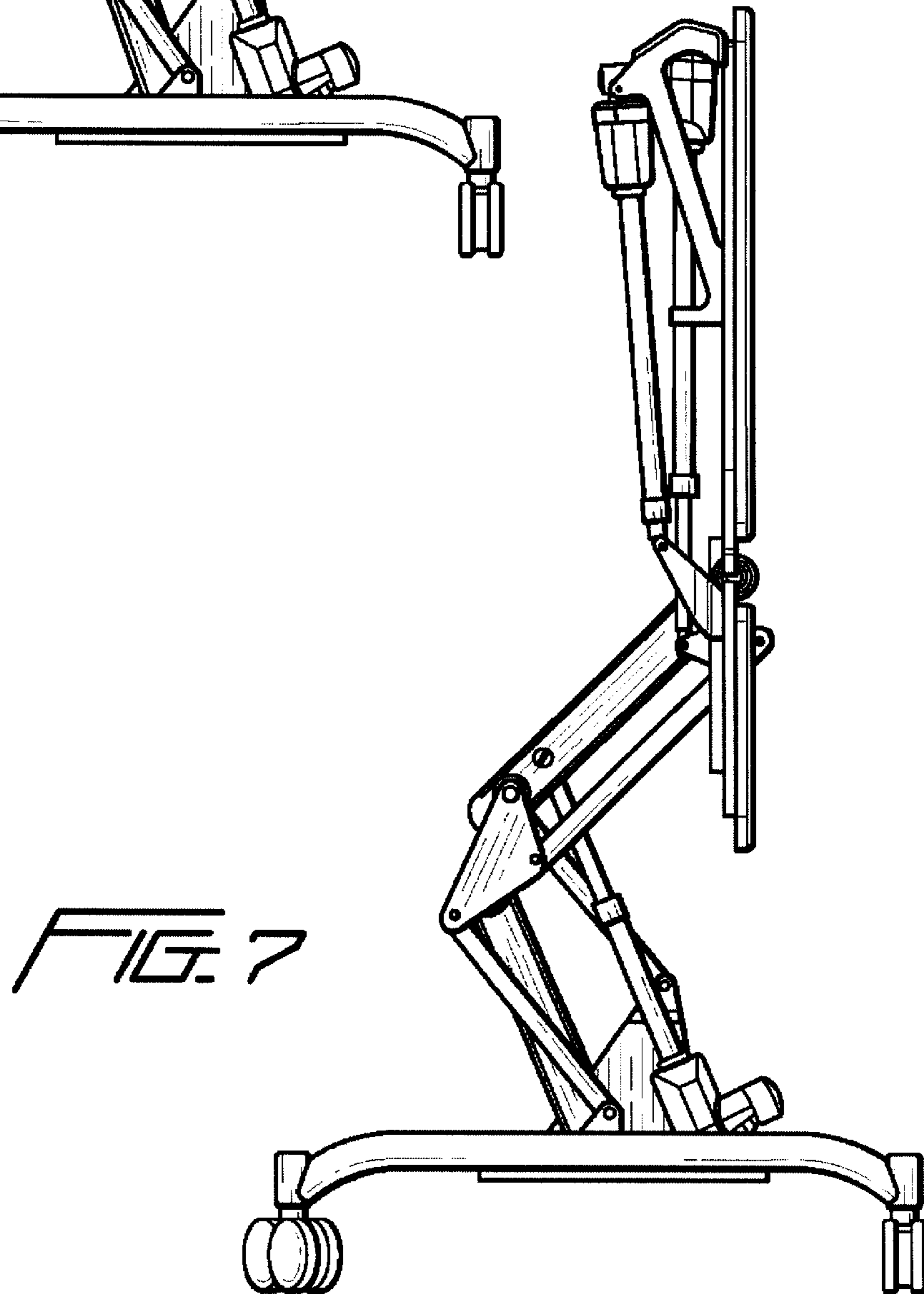


FIG. 7