



US00D540948S

(12) **United States Design Patent** (10) **Patent No.:** **US D540,948 S**  
**Mezière et al.** (45) **Date of Patent:** **\*\* Apr. 17, 2007**

(54) **BLOOD TREATMENT APPARATUS**

(75) Inventors: **Cyril Mezière**, Bron (FR); **Claudio Tonelli**, Modena (IT); **Vincenzo Baraldi**, Quistello (IT); **Massimo Zaccarelli**, San Felice sul Panaro (IT)

(73) Assignee: **Gambro Lundia AB**, Lund (SE)

(\*\*) Term: **14 Years**

(21) Appl. No.: **29/191,475**

(22) Filed: **Oct. 7, 2003**

(30) **Foreign Application Priority Data**

Apr. 1, 2003 (EM) ..... 000015870

(51) **LOC (8) Cl.** ..... **24-01**

(52) **U.S. Cl.** ..... **D24/169; D24/108**

(58) **Field of Classification Search** ..... D24/169,  
D24/108, 111; 210/646, 645, 321.71, 258,  
210/256; 604/29, 4.01, 5.01, 5.04, 5.03, 6.09,  
604/6.01, 6.11

See application file for complete search history.

(56) **References Cited**

**U.S. PATENT DOCUMENTS**

5,326,476	A	7/1994	Grogan et al.	
D367,534	S *	2/1996	DiPerna et al.	D24/169
5,641,144	A	6/1997	Hendrickson et al.	
5,679,245	A *	10/1997	Manica	604/6.09
D389,916	S *	1/1998	DiPerna et al.	D24/169
D406,894	S	3/1999	Menhennett et al.	
6,143,181	A *	11/2000	Falkvall et al.	210/646
6,200,287	B1	3/2001	Keller et al.	
D446,860	S	8/2001	Mezière et al.	D24/169
D446,861	S	8/2001	Mezière et al.	D24/169
2004/0064080	A1 *	4/2004	Cruz et al.	604/5.04
2004/0186407	A1 *	9/2004	Walker et al.	604/4.01

**OTHER PUBLICATIONS**

Cordis Dow Corp, Seratron Brochure "Seratron Dialysis Control System," Oct. 1979.

Fresenius, "Computer Modeling System 08, CMS 08," (Machine in use prior Nov. 21, 1999).

Gambro Renal Products, "Simplicity by Gambro", Rev. Jan. 2000.

Gambro Renal Products, "AK 95 Simplicity", Rev. Jun. 2000 (Machine in use prior Nov. 21, 1999).

Gambro Renal Products, "AK 200 Reliability", Rev. Jun. 2000.

Gambro Renal Products, "AK 200 Ultra Pioneering", Rev. Jun. 2000.

Gambro Renal Care Products, Inc., "COBE Centrysystem 3 Dialysis Control Unit: Operator's Manual," Section 1 pp. 1-1-1-63 (May 1999).

Gambro Renal Care Products, Inc., "Introducing Phoenix", Sep. 2000.

Hospal, "Integra: The Hospal Vision Of The Future In Dialysis Monitoring" (Oct. 1999).

Hospal, "Integra Alpha: The Hospal Vision Of The Future In Dialysis Monitoring" (Mar. 1997).

Hospal, "Quantiscan: Automated Partial Dialysate Collection For Direct Dialysis Quantification" (Oct. 1999).

NHS Procurement Directorate, Evaluation No. 32, "Haemodialysis Equipment Fresenius CMS 08," pp. 1-1.

\* cited by examiner

*Primary Examiner*—Ian Simmons

(74) *Attorney, Agent, or Firm*—Laura M. Butterfield; Edna M. O'Connor; John R. Merkling

(57) **CLAIM**

We claim the ornamental design for a blood treatment apparatus, substantially as shown and described.

**DESCRIPTION**

FIG. 1 is a perspective view of a dialysis monitor showing our new design;

FIG. 2 is a front view thereof;

FIG. 3 is a side view thereof;

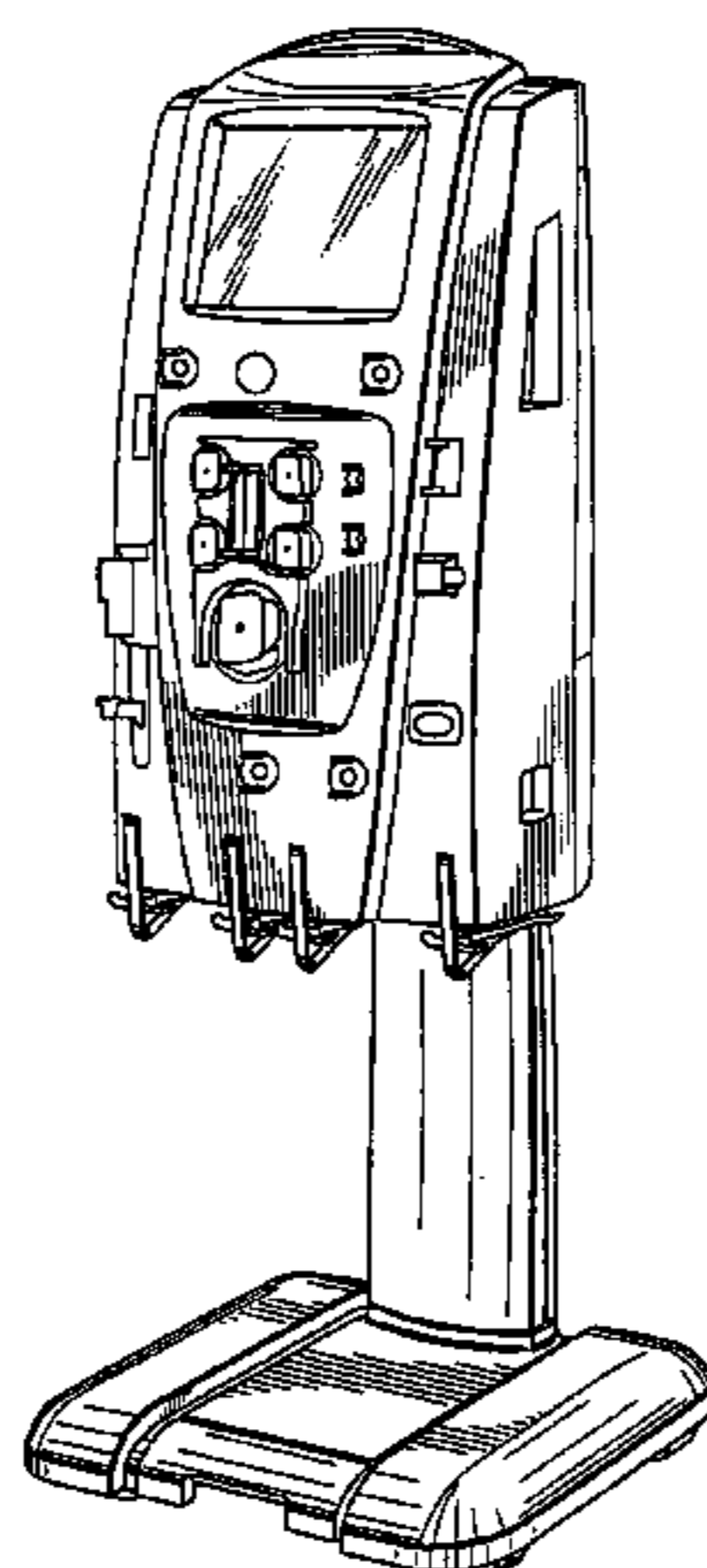
FIG. 4 is a rear view thereof;

FIG. 5 is a side view thereof, opposite that shown in FIG. 3;

FIG. 6 is a top view thereof; and,

FIG. 7 is a bottom view.

**1 Claim, 3 Drawing Sheets**



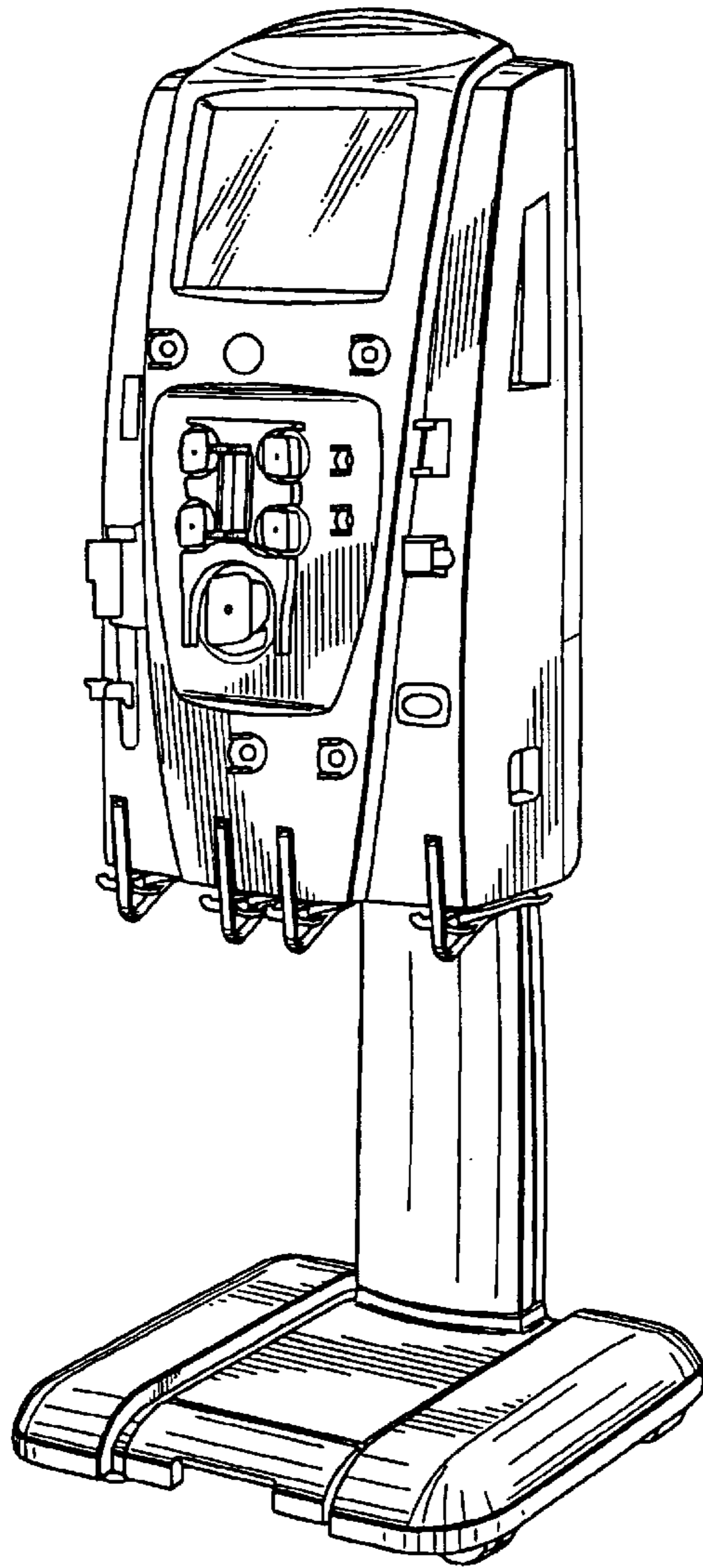


FIG. 1

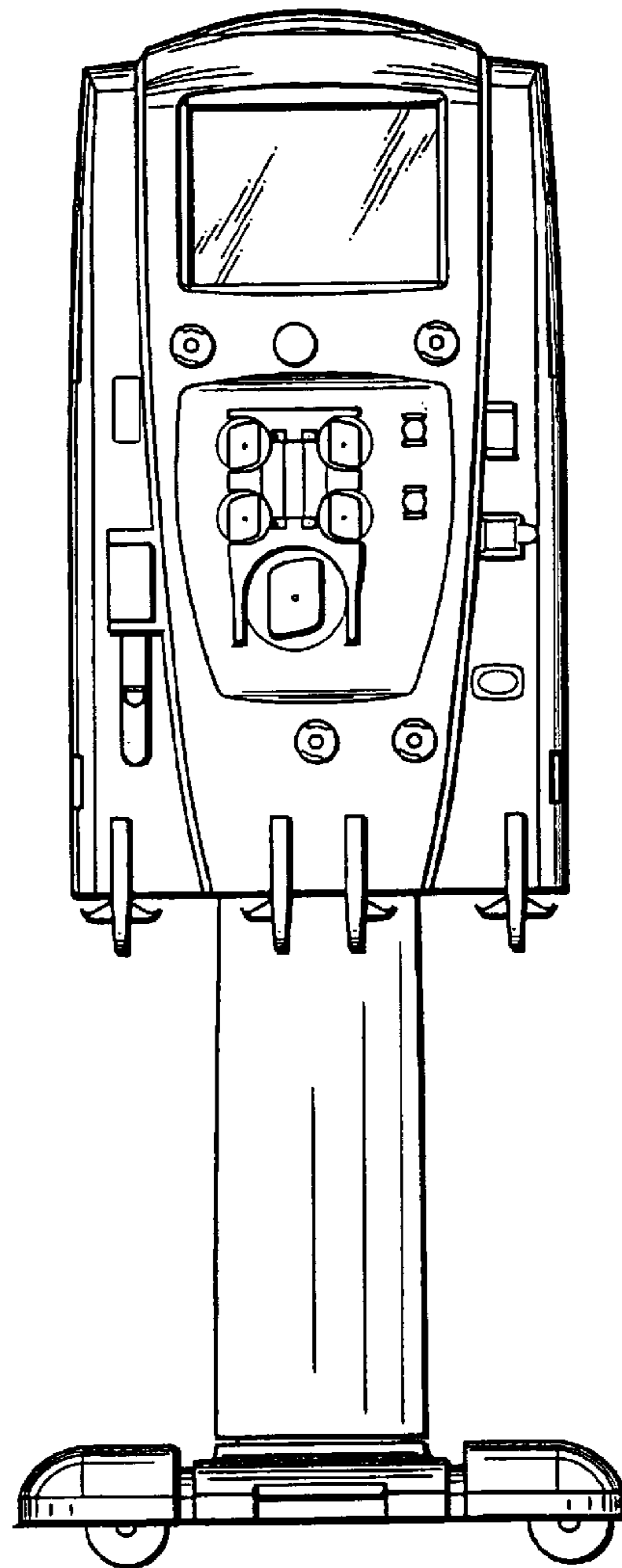


FIG. 2

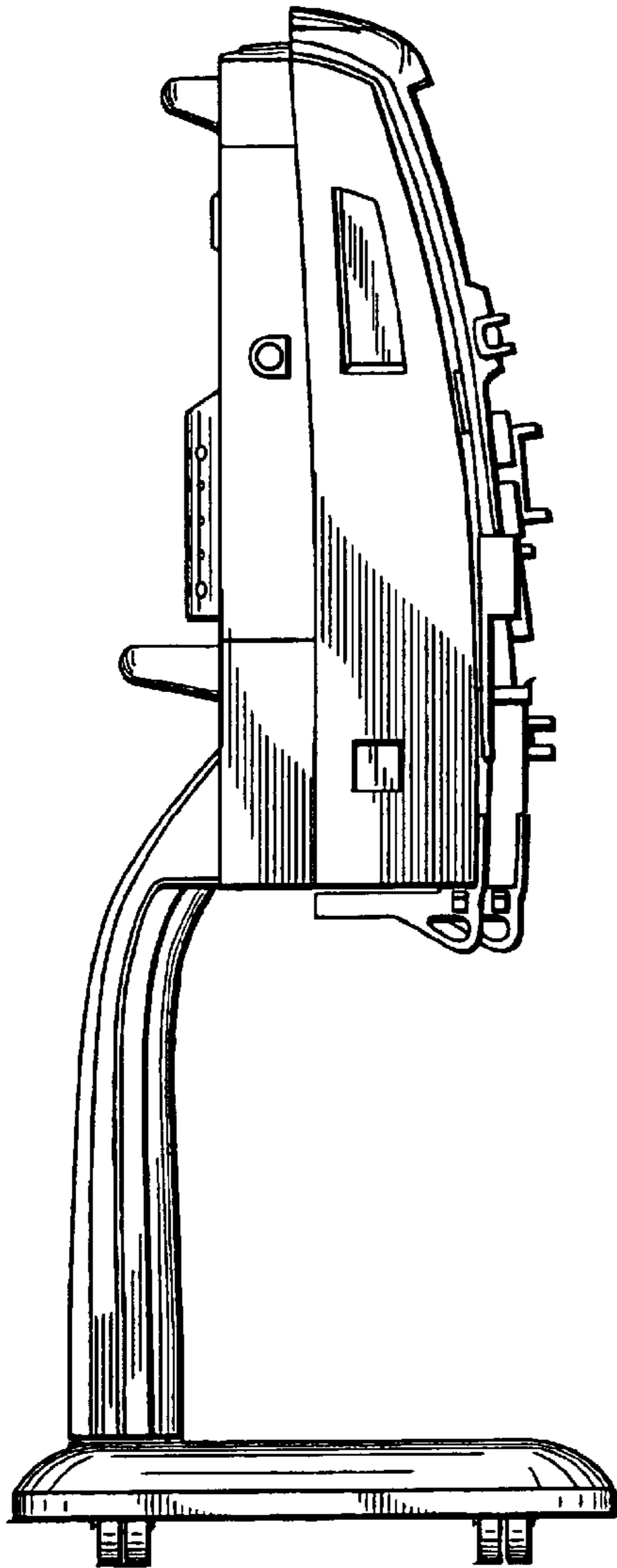


FIG. 3

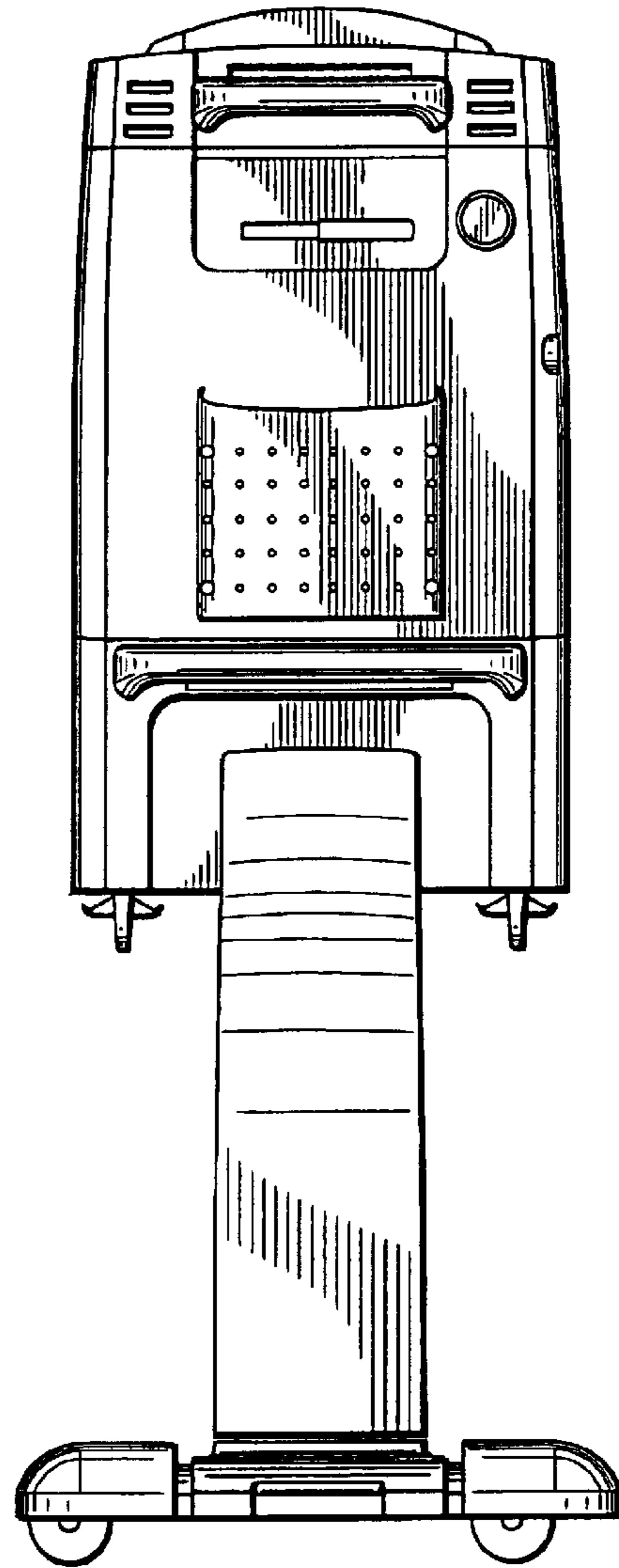


FIG. 4

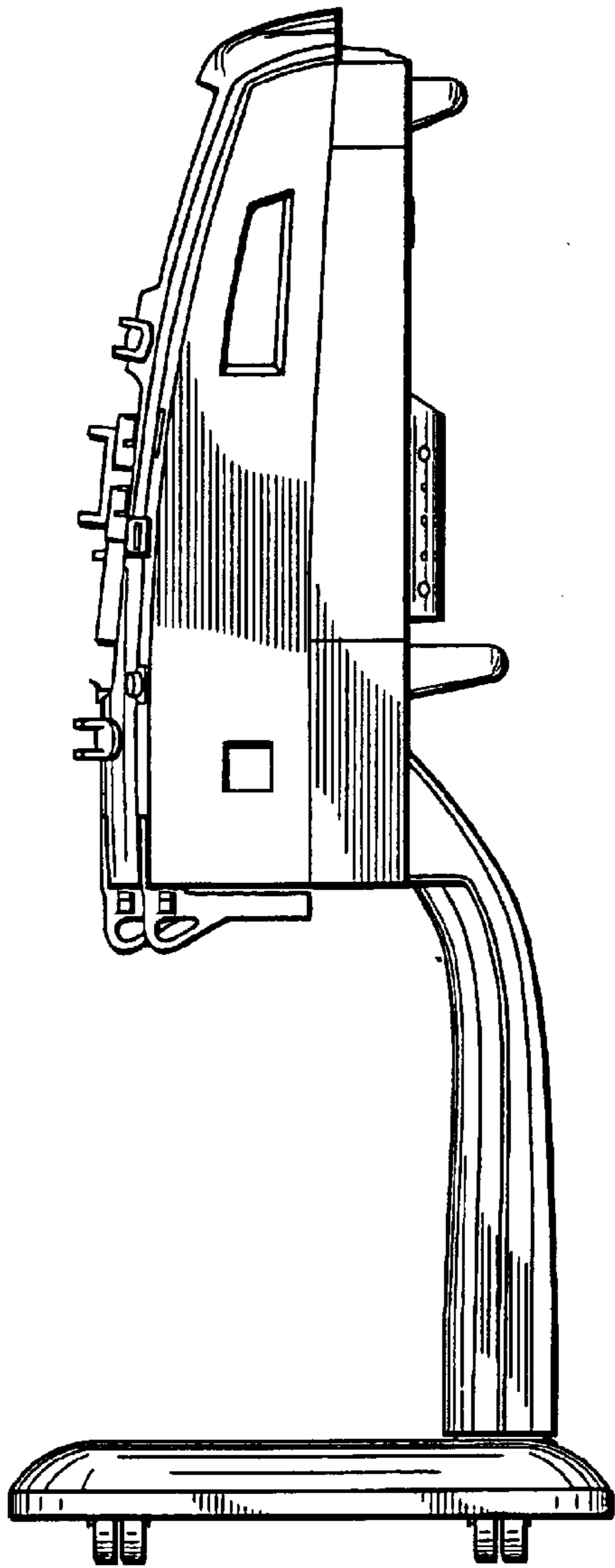


FIG. 5

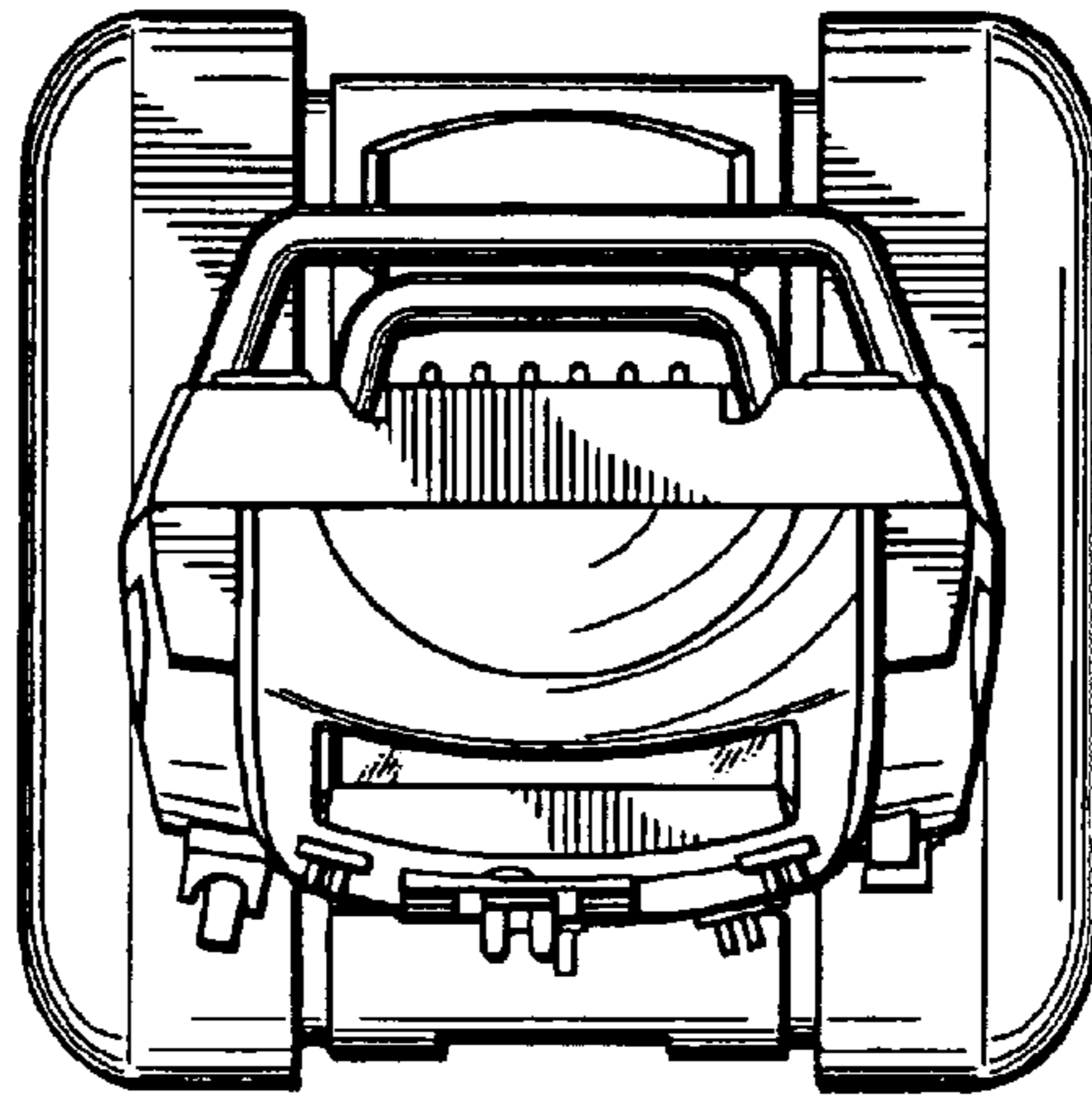


FIG. 6

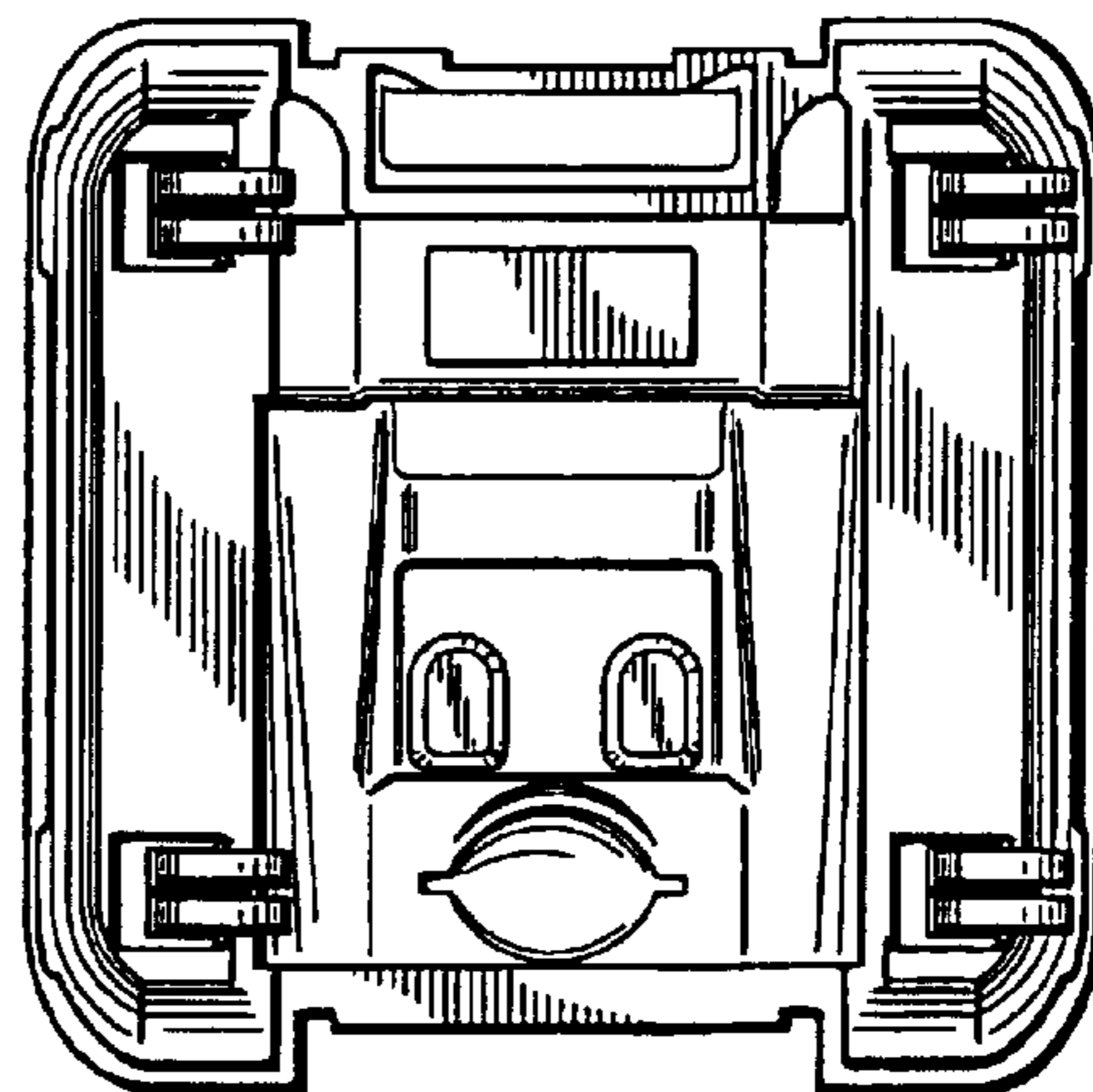


FIG. 7