



US00D540946S

(12) **United States Design Patent**
Berry Pitts et al.

(10) **Patent No.:** **US D540,946 S**

(45) **Date of Patent:** **** Apr. 17, 2007**

(54) **DENTAL APPARATUS**

(75) Inventors: **Nigel Berry Pitts**, Dundee (GB);
Christopher Longbottom, Dundee (GB)

(73) Assignee: **IDMOS PLC**, Angus (GB)

(**) Term: **14 Years**

(21) Appl. No.: **29/241,226**

(22) Filed: **Oct. 26, 2005**

(30) **Foreign Application Priority Data**

Apr. 26, 2005 (EM) 000336631

(51) **LOC (8) Cl.** **24-02**

(52) **U.S. Cl.** **D24/152**

(58) **Field of Classification Search** D24/152-154,
D24/176-182; 433/3, 141, 142-143, 147;
D19/48, 49; D8/DIG. 6, DIG. 7
See application file for complete search history.

(56) **References Cited**

U.S. PATENT DOCUMENTS

1,261,339 A * 4/1918 Angle 433/3
1,369,582 A * 2/1921 Wagner 433/142
2,245,291 A * 6/1941 Myerson 433/141

4,323,347 A * 4/1982 Weissman 433/141
5,098,292 A * 3/1992 Lazarof 433/141
D354,566 S * 1/1995 Donahoo D24/152
5,501,597 A * 3/1996 Wilson 433/141
5,816,806 A * 10/1998 Herbst et al. 433/141
D426,636 S * 6/2000 Herring D24/152
D430,298 S * 8/2000 Holms D24/152
D443,303 S * 6/2001 Ashe D19/48
D446,858 S * 8/2001 Holms D24/152
D463,026 S * 9/2002 Holms D24/152

* cited by examiner

Primary Examiner—Charles A. Rademaker

(74) *Attorney, Agent, or Firm*—Sughrue Mion, PLLC

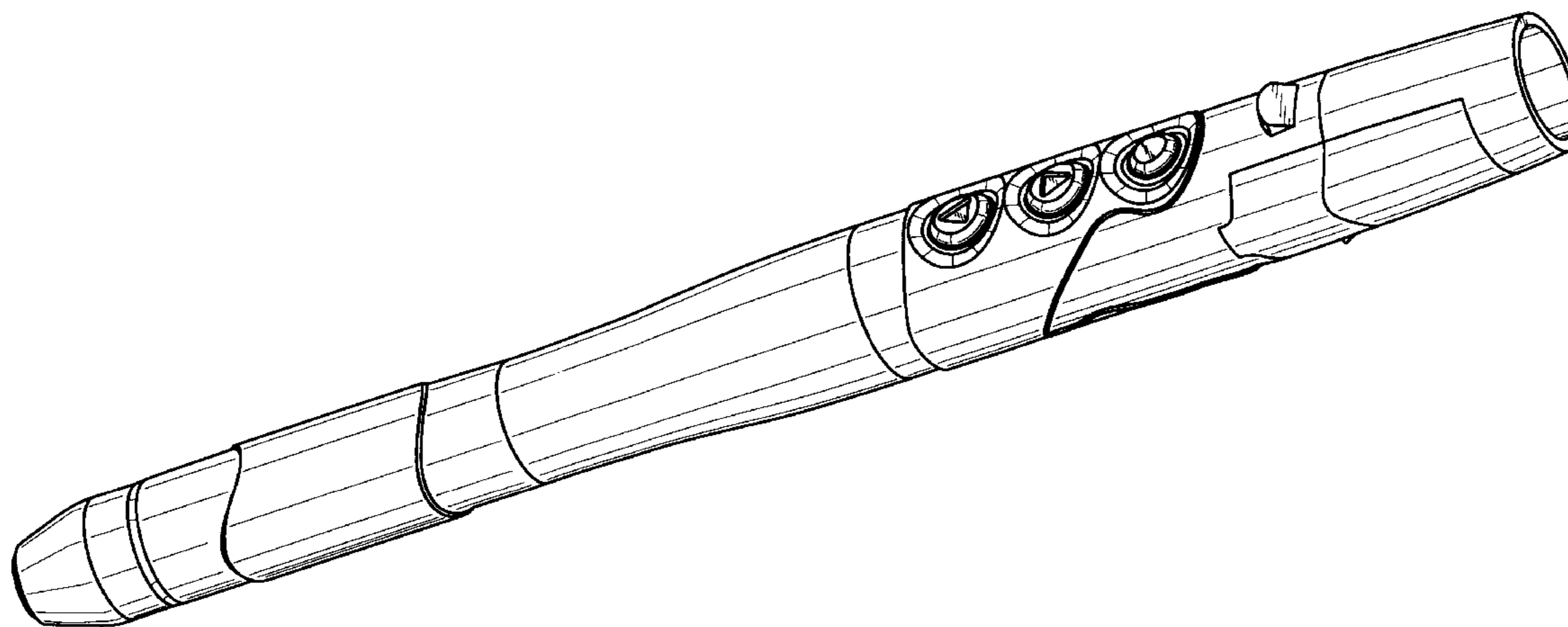
(57) **CLAIM**

The ornamental design for a dental apparatus, as shown.

DESCRIPTION

FIG. 1 is a perspective view of the top, front and right side of a dental apparatus showing our new design;
FIG. 2 is a front elevational view thereof;
FIG. 3 is a rear elevational view thereof;
FIG. 4 is a right elevational view thereof;
FIG. 5 is a left elevational view thereof;
FIG. 6 is a top plan view thereof; and,
FIG. 7 is a bottom plan view thereof.

1 Claim, 4 Drawing Sheets



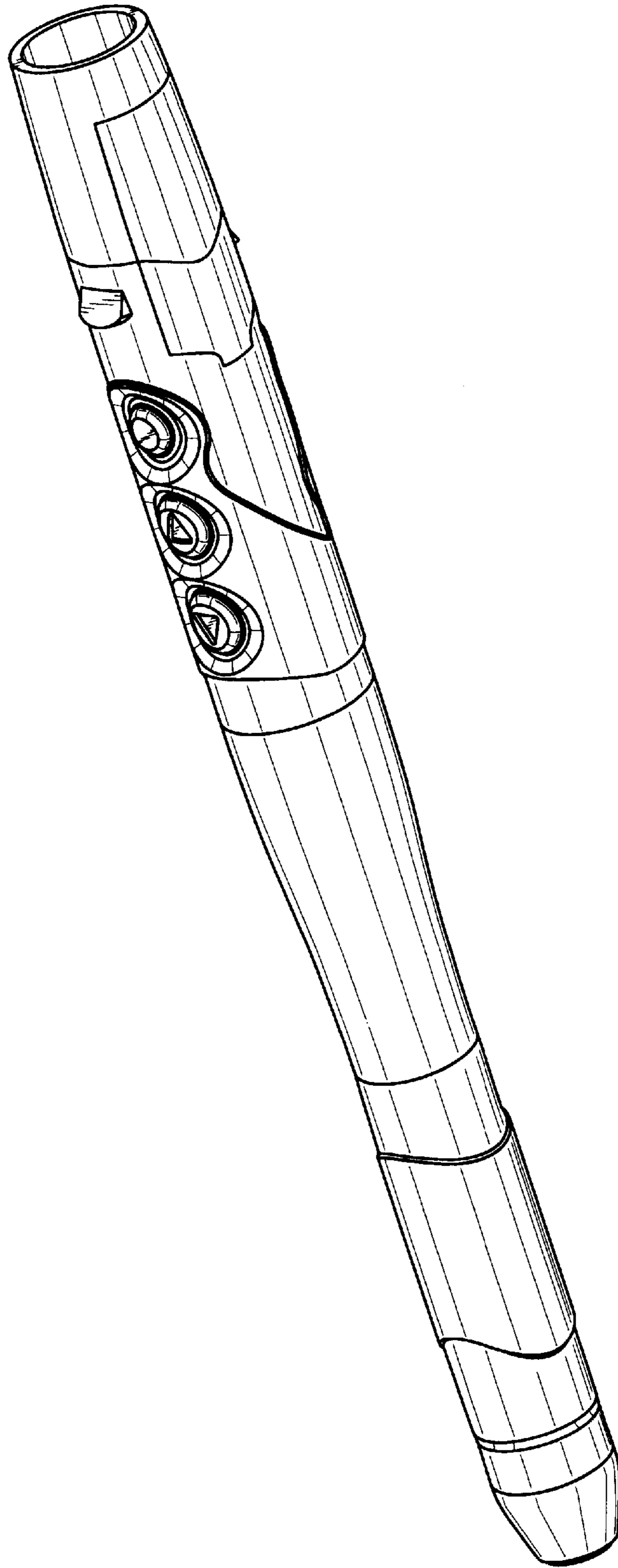


Fig. 1

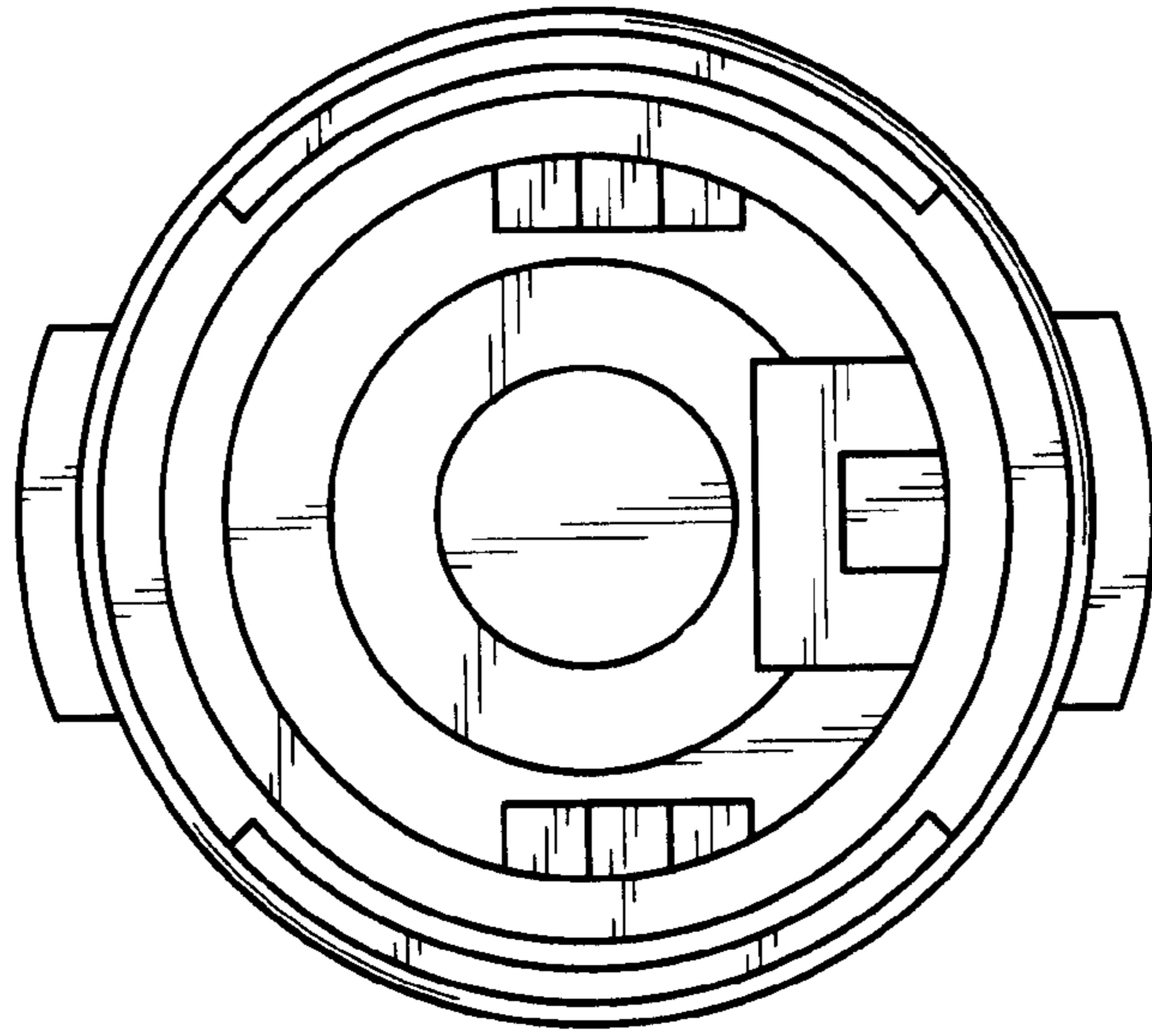


Fig. 3

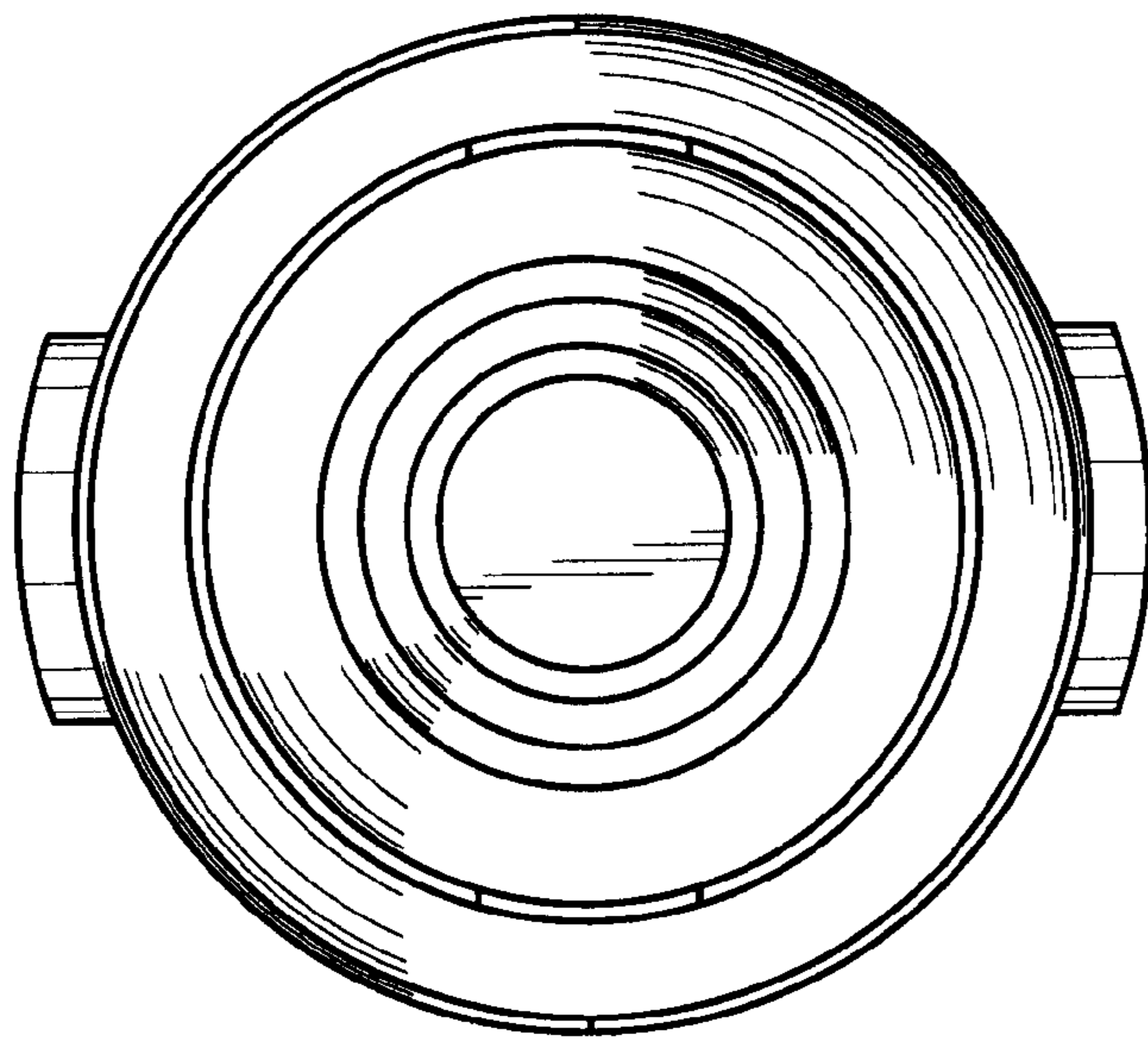


Fig. 2

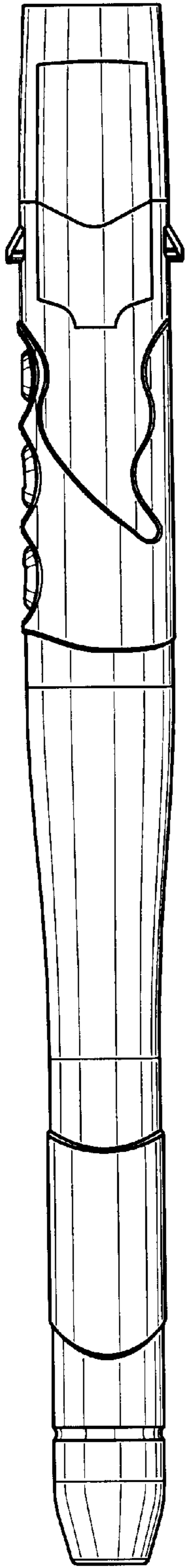


Fig. 4

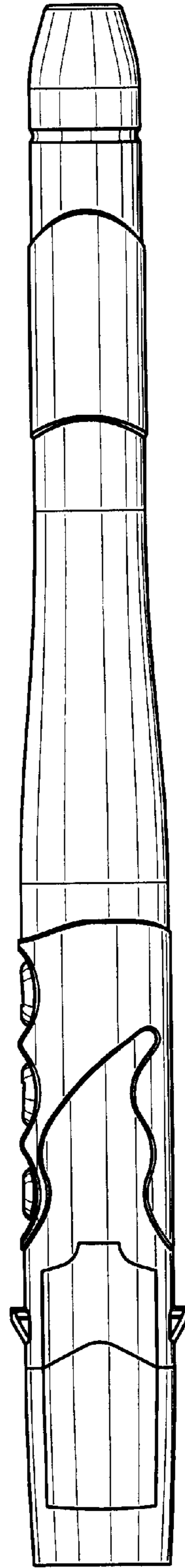


Fig. 5

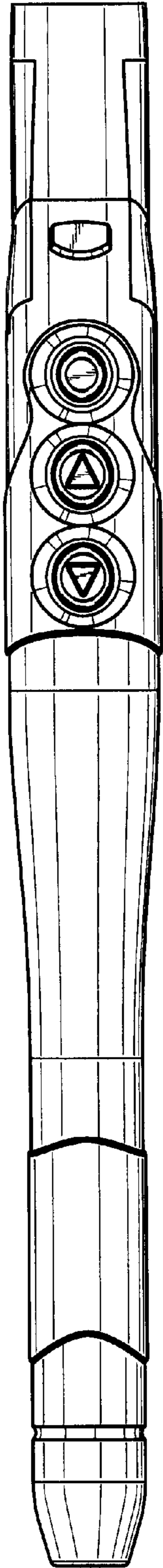


Fig. 6

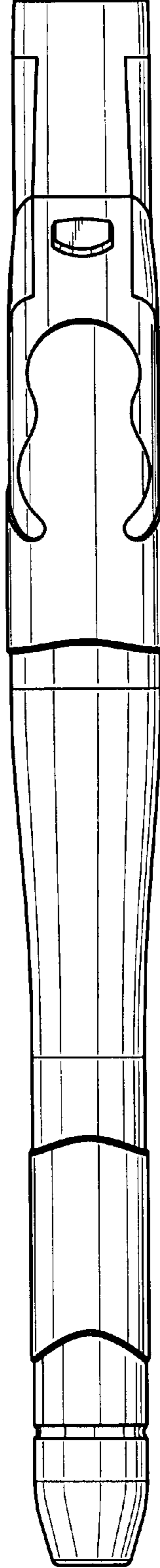


Fig. 7