

US00D540944S

(12) **United States Design Patent**  
**Guala**

(10) **Patent No.:** **US D540,944 S**

(45) **Date of Patent:** **\*\* Apr. 17, 2007**

(54) **TRANSDUCER-PROTECTOR DEVICE FOR HAEMODIALYSIS LINES**

(75) Inventor: **Gianni Guala**, Turin (IT)

(73) Assignee: **Industrie Borla S.p.A.**, Moncalieri (Turin) (IT)

(\*\*) Term: **14 Years**

(21) Appl. No.: **29/231,761**

(22) Filed: **Jun. 9, 2005**

(30) **Foreign Application Priority Data**

Dec. 9, 2004 (EM) ..... 000266234

(51) **LOC (8) Cl.** ..... **24-02**

(52) **U.S. Cl.** ..... **D24/129; D24/108**

(58) **Field of Classification Search** ..... D24/108, D24/129; 604/29-30, 32, 248, 523, 533, 604/535, 538, 905; 285/148.19, 148.21  
See application file for complete search history.

(56) **References Cited**

**U.S. PATENT DOCUMENTS**

4,991,629 A \* 2/1991 Ernesto et al. .... 138/89

5,611,576 A \* 3/1997 Guala ..... 285/38

5,749,861 A *	5/1998	Guala et al. ....	604/249
D395,502 S *	6/1998	Deily et al. ....	D24/112
D439,663 S *	3/2001	Guala .....	D24/129
6,309,543 B1 *	10/2001	Fenton et al. ....	210/232
D495,050 S *	8/2004	Guala .....	D24/129
7,033,339 B1 *	4/2006	Lynn .....	604/256
2004/0172006 A1 *	9/2004	Bonaldo .....	604/523
2006/0253103 A1 *	11/2006	Utterberg et al. ....	604/533

\* cited by examiner

*Primary Examiner*—Louis S. Zarfes

*Assistant Examiner*—Eric L Goodman

(74) *Attorney, Agent, or Firm*—Heslin Rothenberg Farley & Mesiti P.C.; Victor A. Cardona

(57) **CLAIM**

The ornamental design for a transducer-protector device for haemodialysis lines, as shown and described.

**DESCRIPTION**

FIG. 1 is a perspective view from above; FIG. 2 is a perspective view from below; FIG. 3 is a bottom plan view; FIG. 4 is a front side elevational view; FIG. 5 is a rear side elevational view; and, FIG. 6 is a top plan view.

**1 Claim, 3 Drawing Sheets**

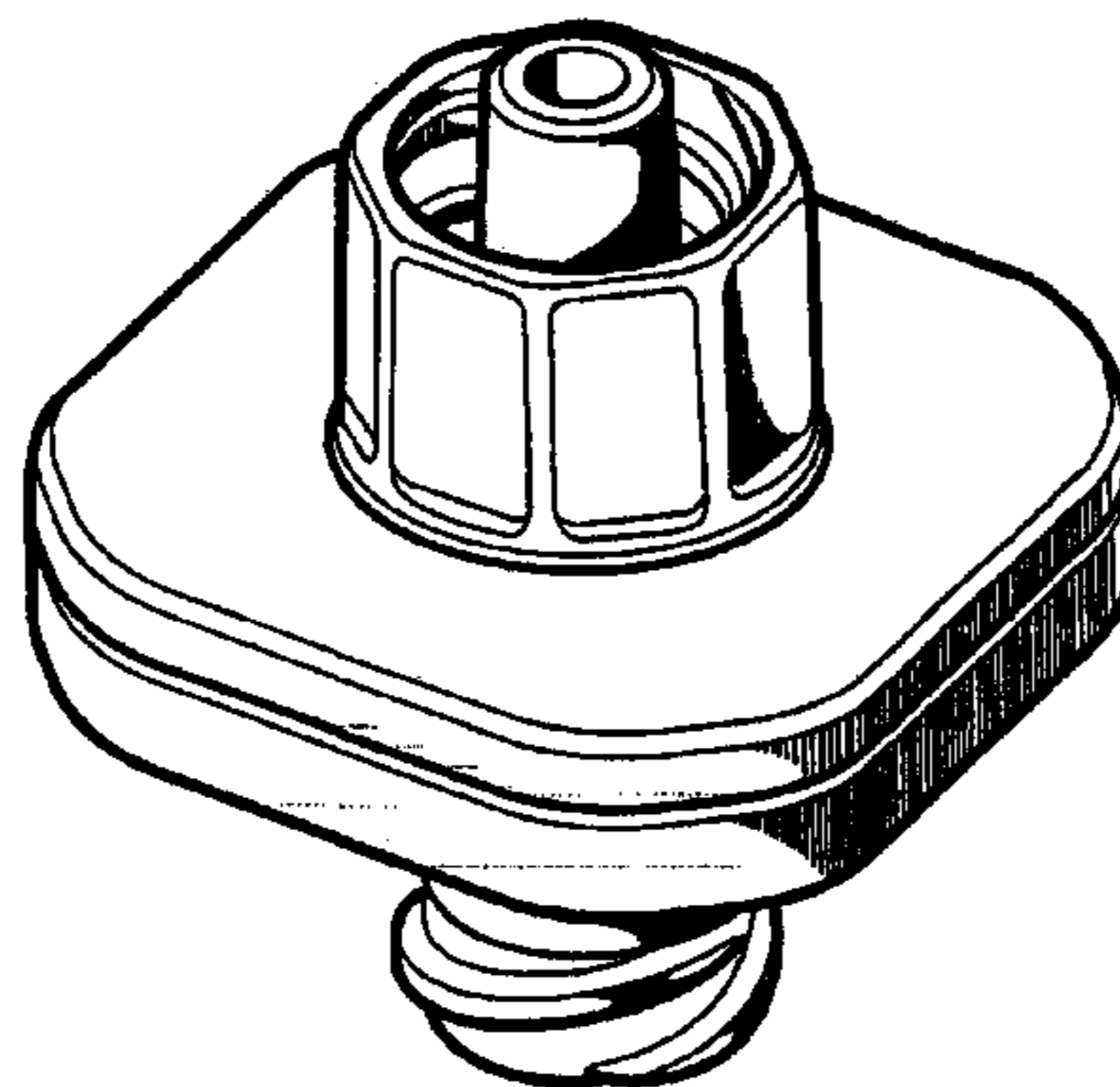
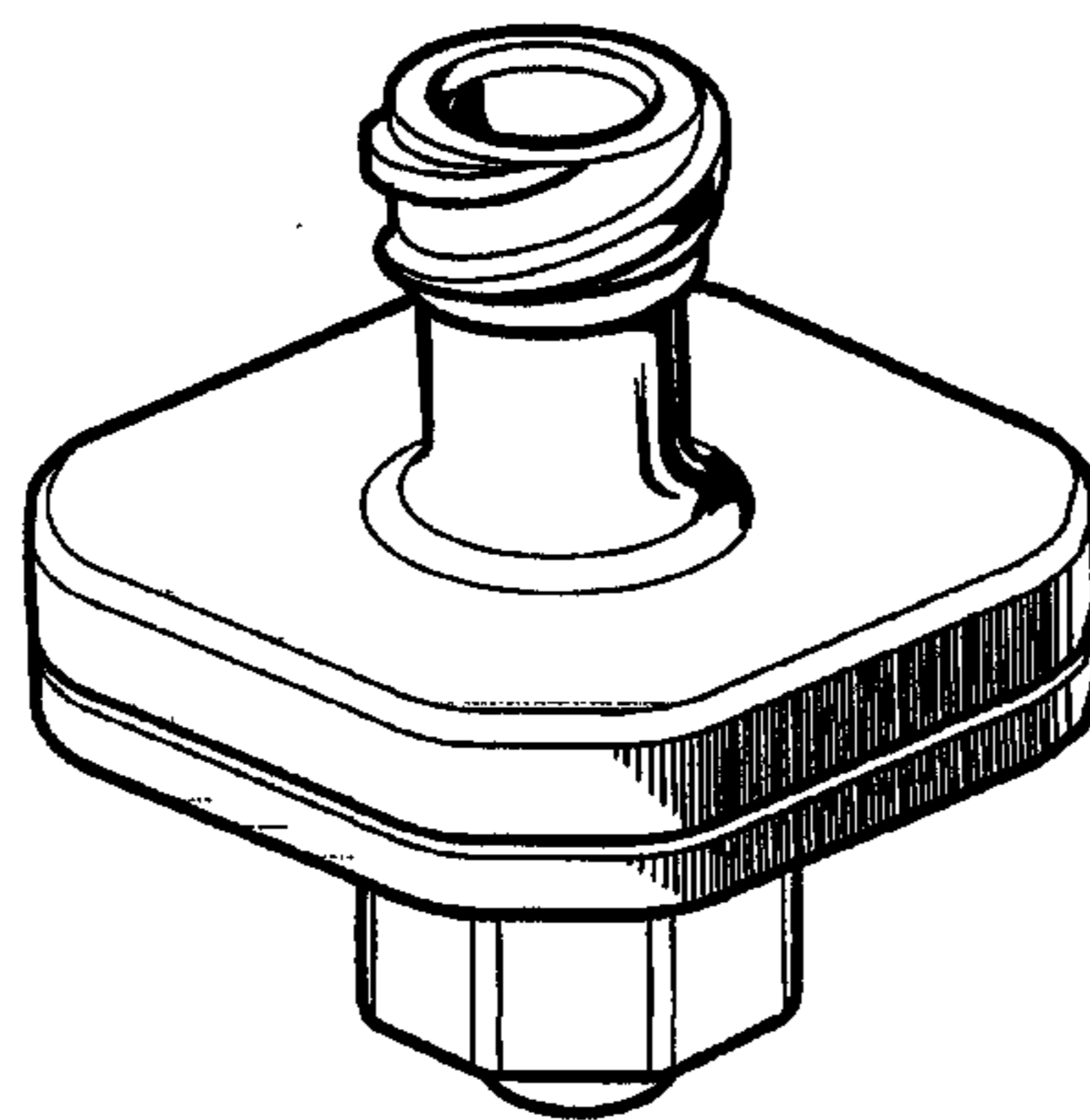


FIG. 1

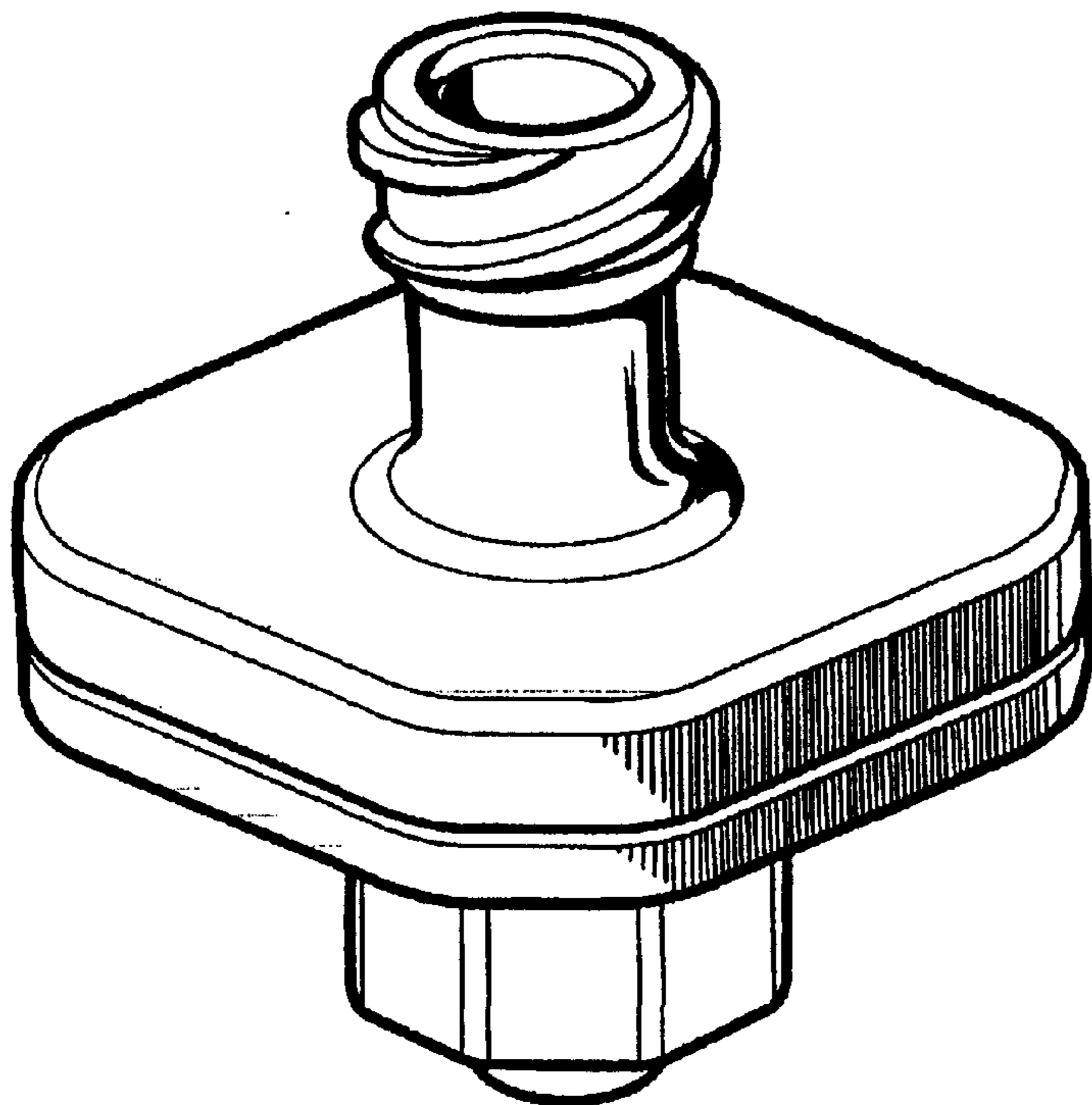


FIG. 2

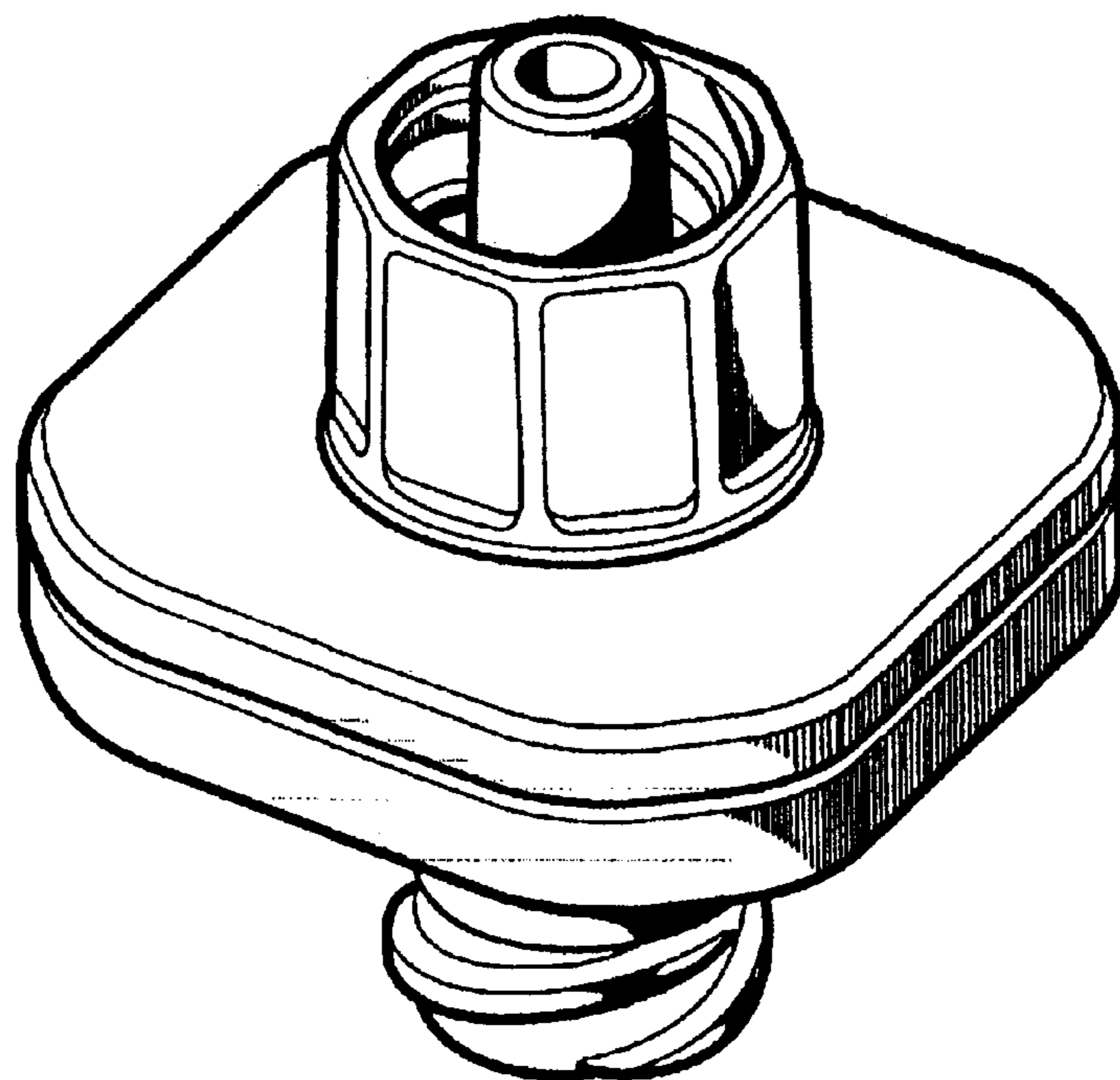


FIG. 3

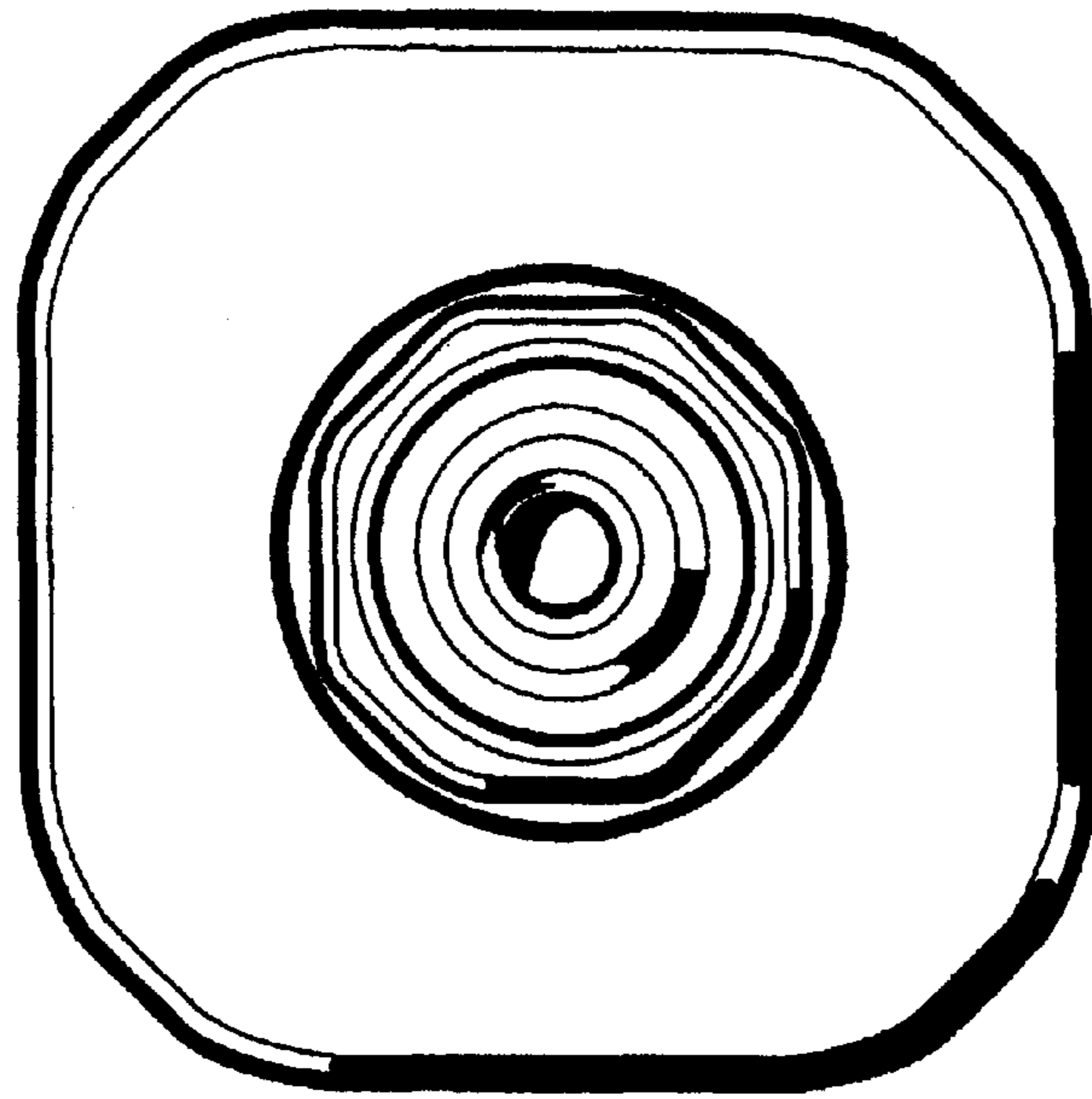


FIG. 4

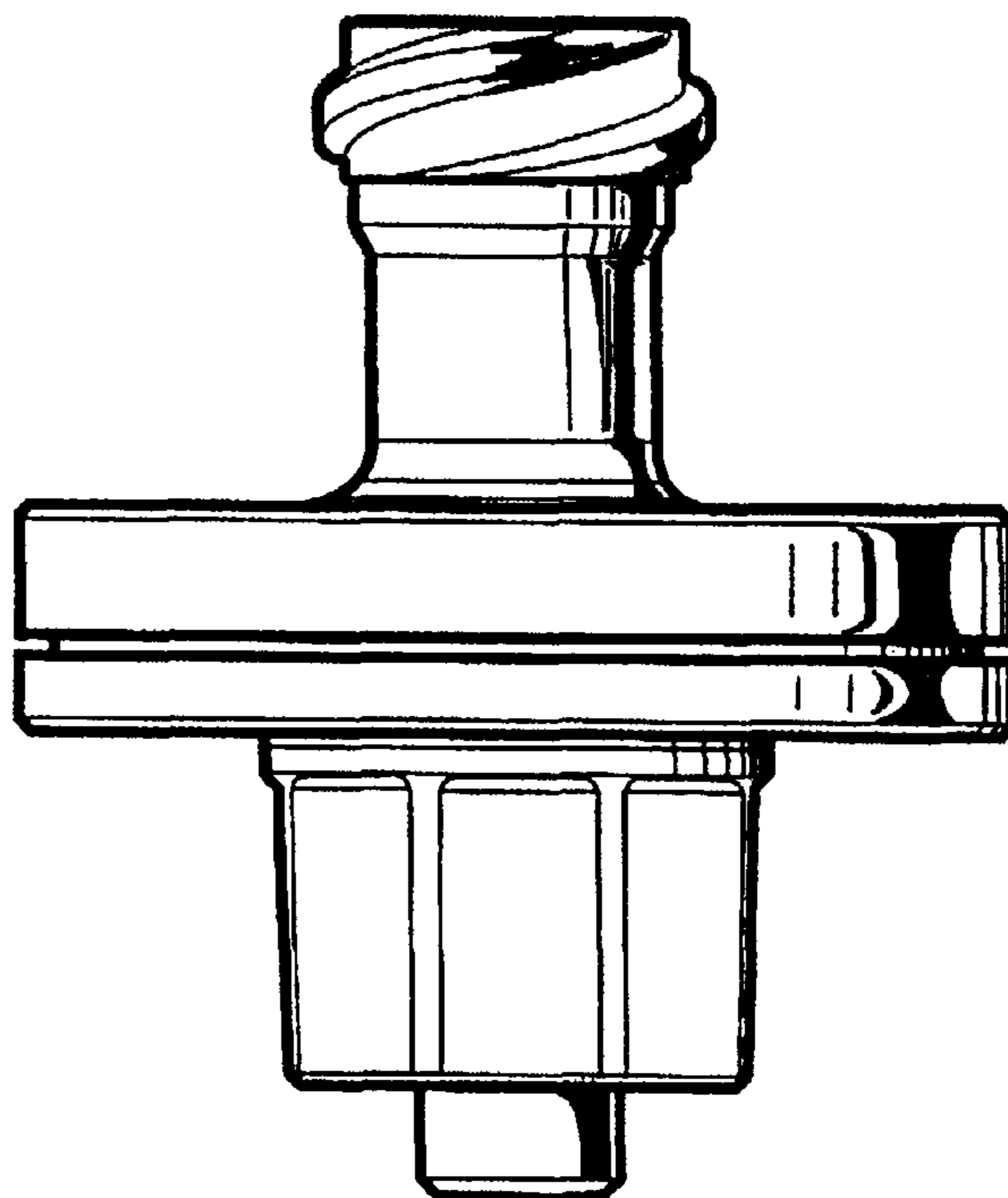


FIG. 5

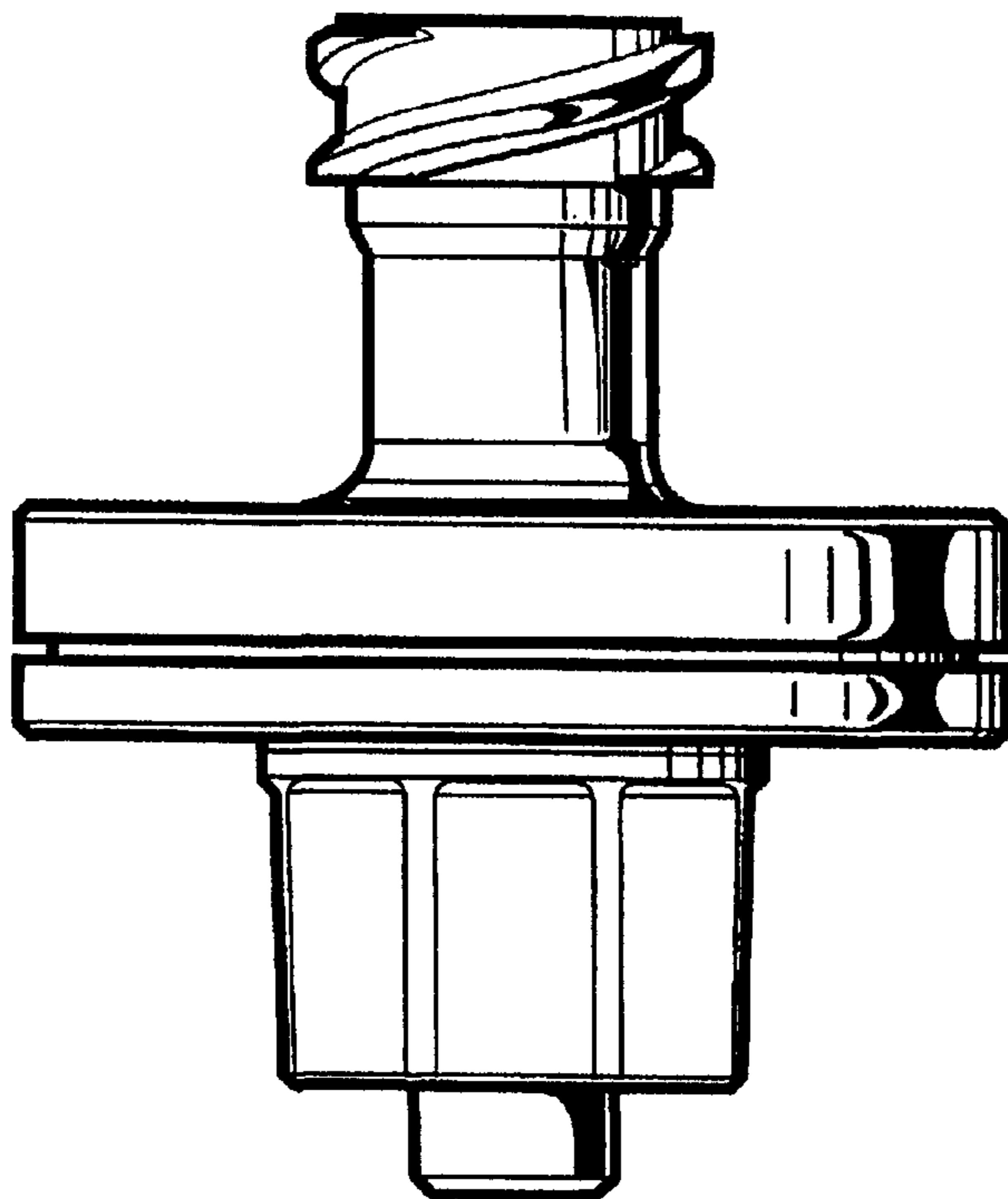


FIG. 6

