

US00D540938S

(12) **United States Design Patent**
Graham et al.

(10) **Patent No.:** **US D540,938 S**
(45) **Date of Patent:** **** Apr. 17, 2007**

(54) **IGNITER COVER**

(75) Inventors: **John P. Graham**, Elyria, OH (US);
Will Meibuhr, Elyria, OH (US);
Martin J. Fabian, Bay Village, OH
(US); **Frank J. Witkowski, III**,
Syracuse, NY (US); **Robert L. Naas**,
Skaneateles, NY (US); **Len H.**
Nicholas, Syracuse, NY (US); **Howard**
Scott Ryan, Skaneateles, NY (US)

(73) Assignee: **R.W. Beckett Corporation**, North
Ridgeville, OH (US)

(**) Term: **14 Years**

(21) Appl. No.: **29/262,725**

(22) Filed: **Jul. 10, 2006**

(51) **LOC (8) Cl.** **23-03**
(52) **U.S. Cl.** **D23/416**
(58) **Field of Classification Search** D23/314,
D23/342, 415, 416, 499; 110/242; 123/179.24,
123/185.3; 239/417, 428; 431/2, 9, 12, 29,
431/89, 90, 175, 183, 187, 189, 252, 265,
431/351

See application file for complete search history.

(56) **References Cited**

U.S. PATENT DOCUMENTS

D122,295 S * 9/1940 Herr D23/416
D161,881 S * 2/1951 Sorensen D23/416
D188,640 S * 8/1960 Reichelderfer D23/416
3,556,700 A * 1/1971 Jackson et al. 431/182
4,140,476 A * 2/1979 Kaplan 431/265
4,388,064 A * 6/1983 Kaplan et al. 431/265
D312,869 S * 12/1990 Becker et al. D23/415
5,184,949 A * 2/1993 O'Brien 431/189
5,287,832 A * 2/1994 Uhl 123/185.3
5,542,839 A * 8/1996 Kelly 431/10

5,662,309 A * 9/1997 Guzorek 251/212
6,206,687 B1 * 3/2001 Redington 431/90
6,244,855 B1 * 6/2001 Turk et al. 431/12
6,520,141 B2 * 2/2003 Ryczek et al. 123/198 E
6,929,465 B1 * 8/2005 Graham et al. 431/29
2001/0036608 A1 * 11/2001 Turk et al. 431/12
2004/0134293 A1 * 7/2004 Lai 74/6
2004/0255890 A1 * 12/2004 Tsutsumi et al. 123/179.24
2006/0102129 A1 * 5/2006 Purdy et al. 123/185.3

* cited by examiner

Primary Examiner—Sandra Snapp

Assistant Examiner—Karen Acker

(74) *Attorney, Agent, or Firm*—Eschweiler & Associates,
LLC

(57) **CLAIM**

We claim the ornamental design for an igniter cover, as
shown and described.

DESCRIPTION

FIG. 1 illustrates a top front and left side perspective view
of an igniter cover such as may be used in association with
an igniter of a fuel oil burner according to one exemplary
aspect of the present invention.

FIG. 2 illustrates a top front and left side perspective view
of the igniter cover of FIG. 1.

FIG. 3 illustrates a top rear and left side perspective view of
the igniter cover of FIG. 1.

FIG. 4 illustrates a top plan view of the igniter cover of FIG.
1.

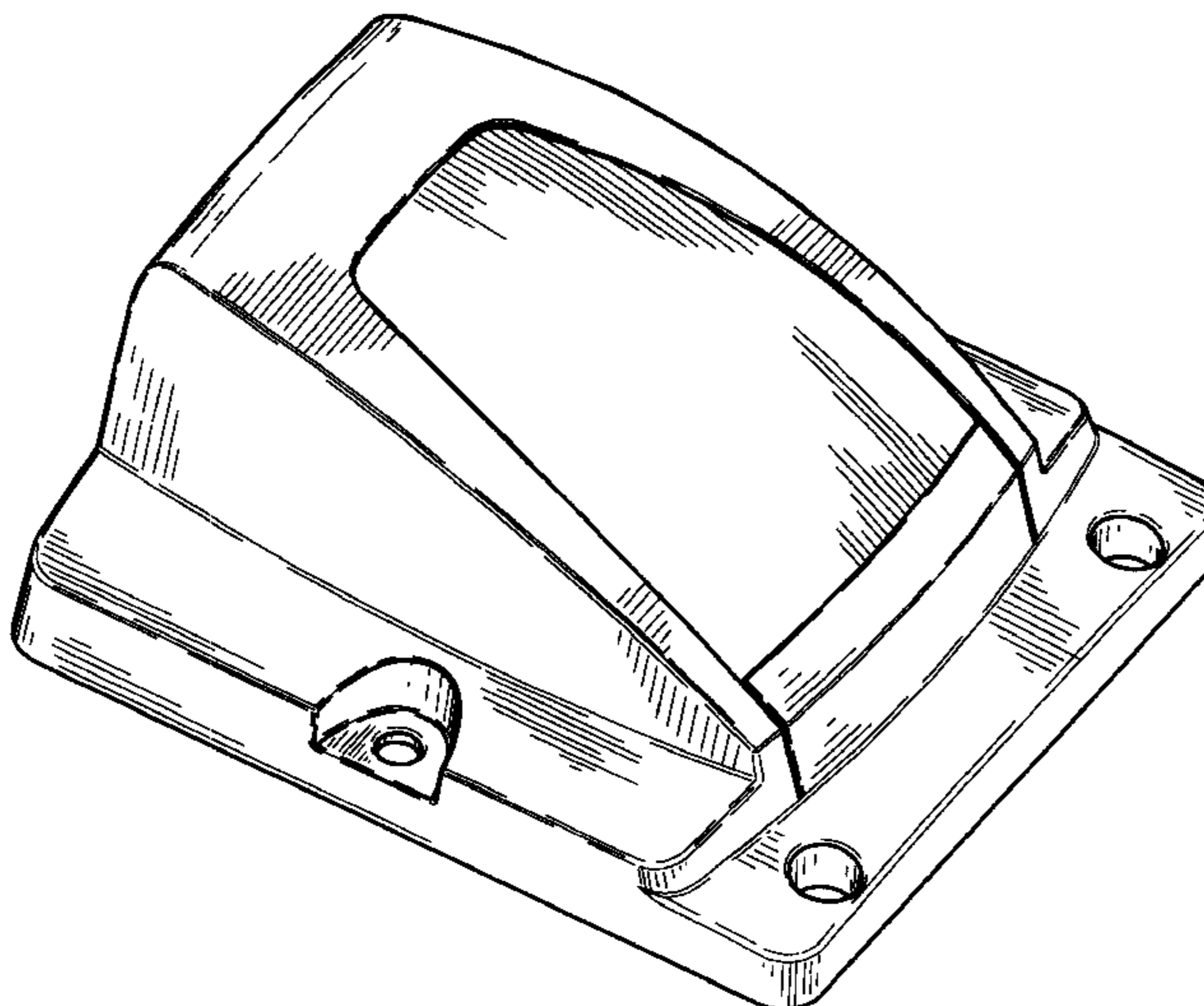
FIG. 5 illustrates a left side elevation view of the igniter
cover of FIG. 1.

FIG. 6 illustrates a front side elevation view of the igniter
cover of FIG. 1; and,

FIG. 7 illustrates a rear side elevation view of the igniter
cover of FIG. 1.

The broken lines shown in FIG. 1 are for illustrative
purposes only and form no part of the claimed design.

1 Claim, 3 Drawing Sheets



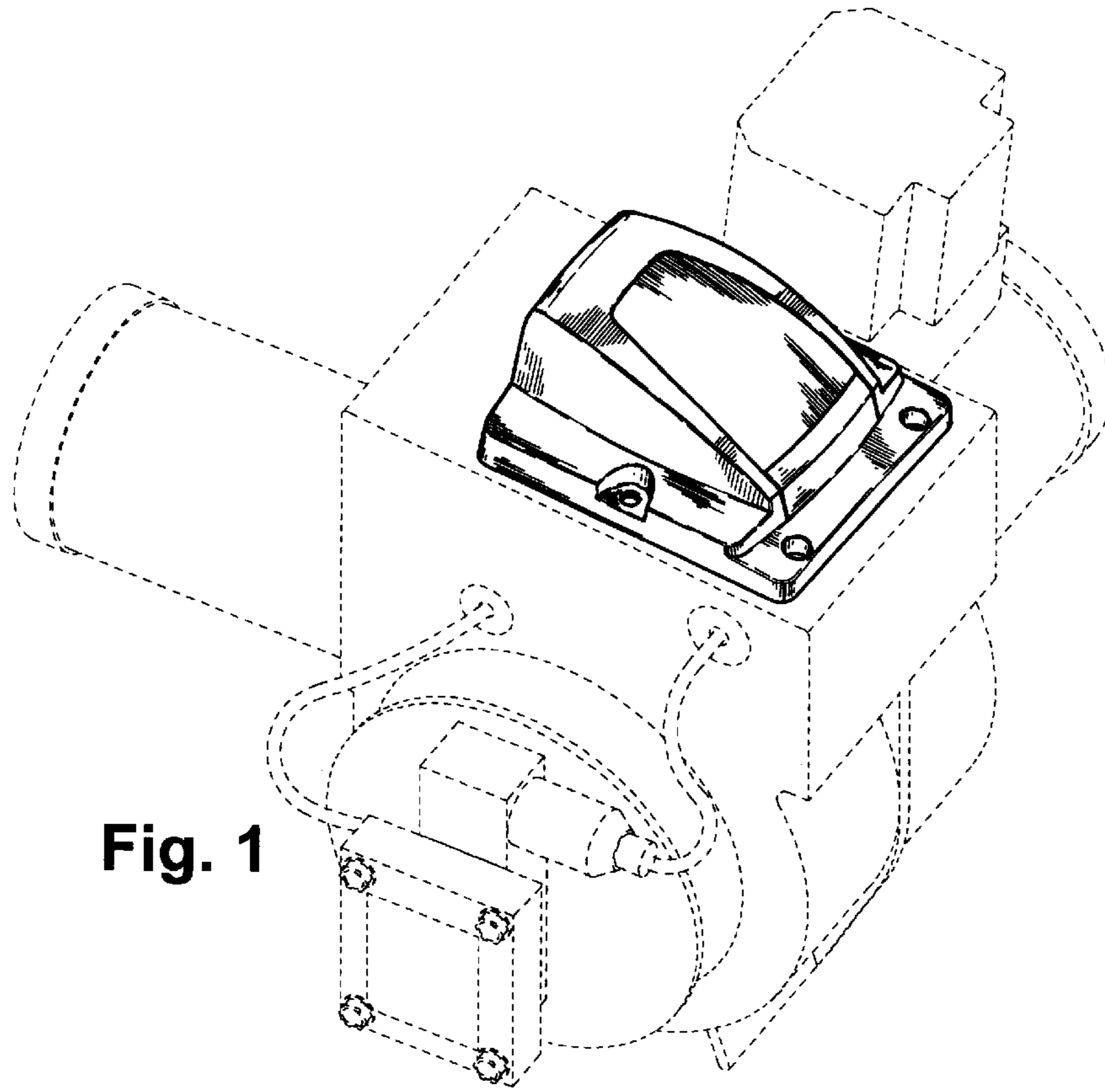


Fig. 1

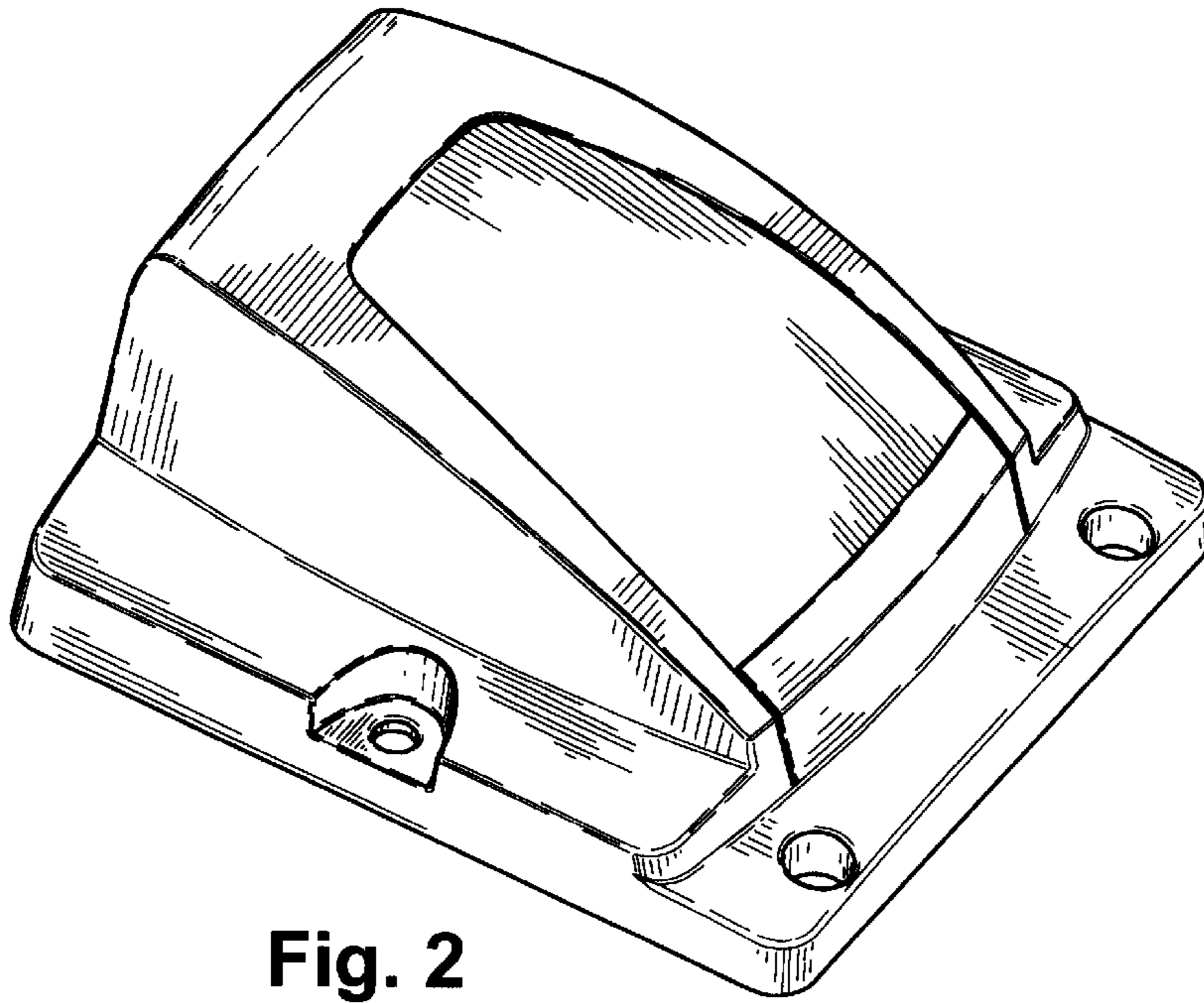


Fig. 2

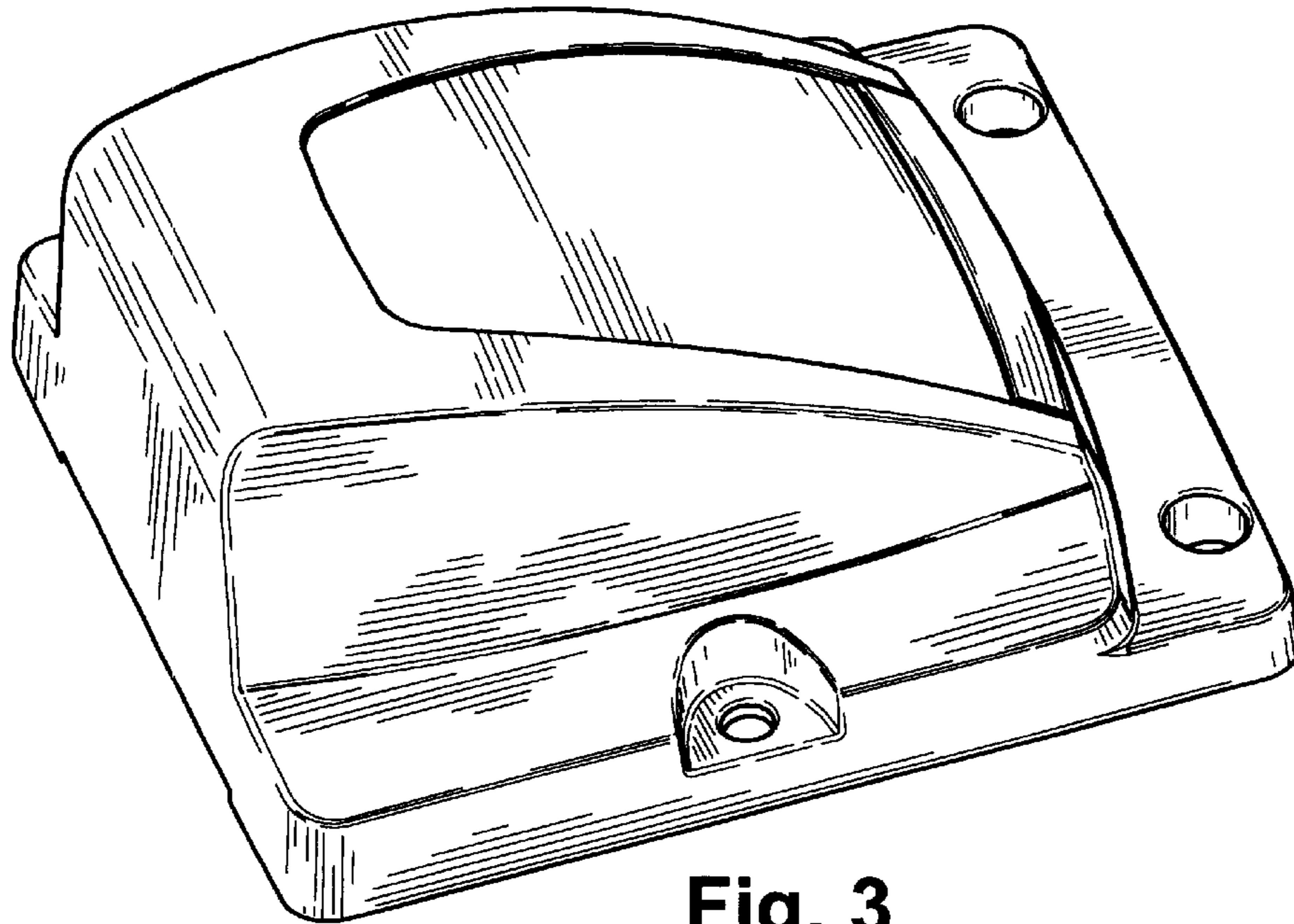


Fig. 3

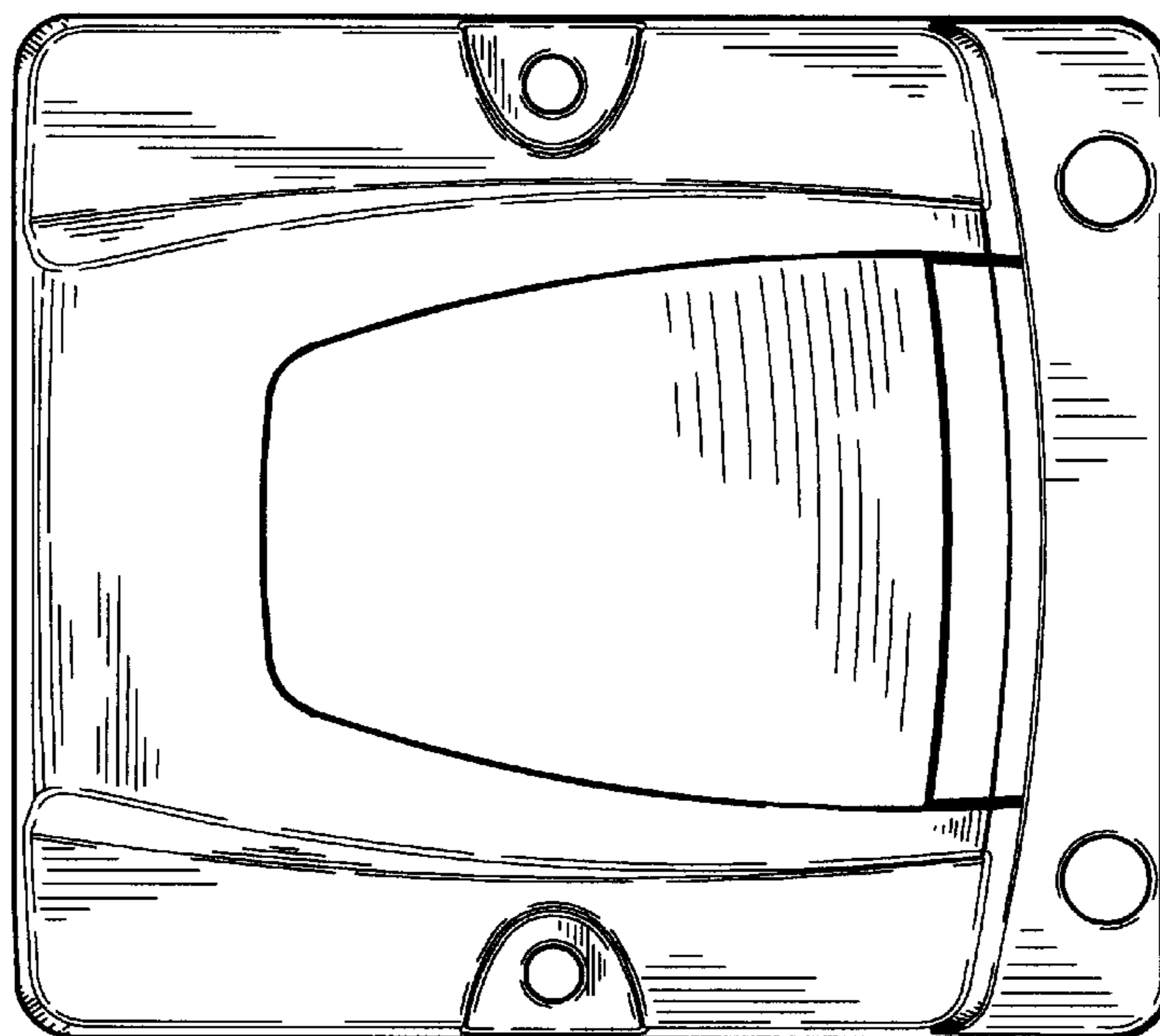


Fig. 4

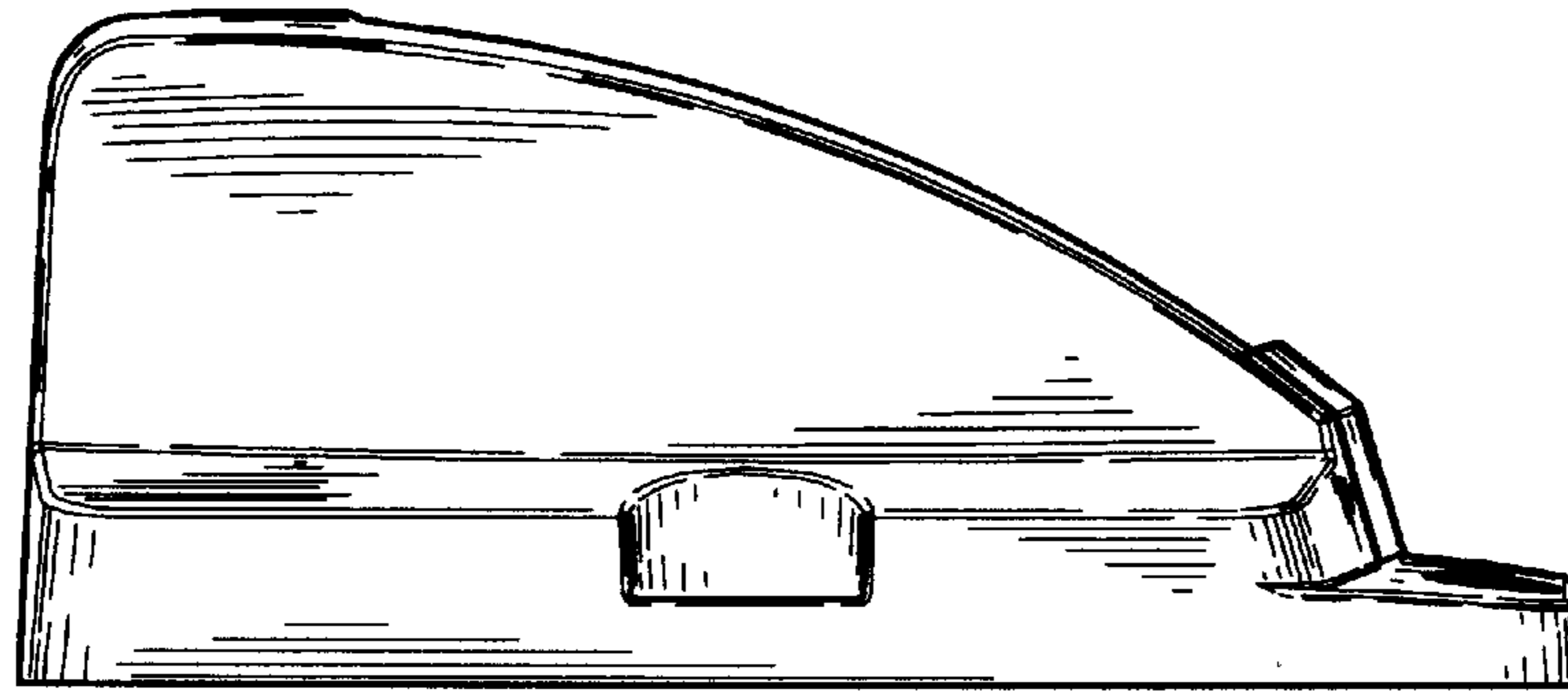


Fig. 5

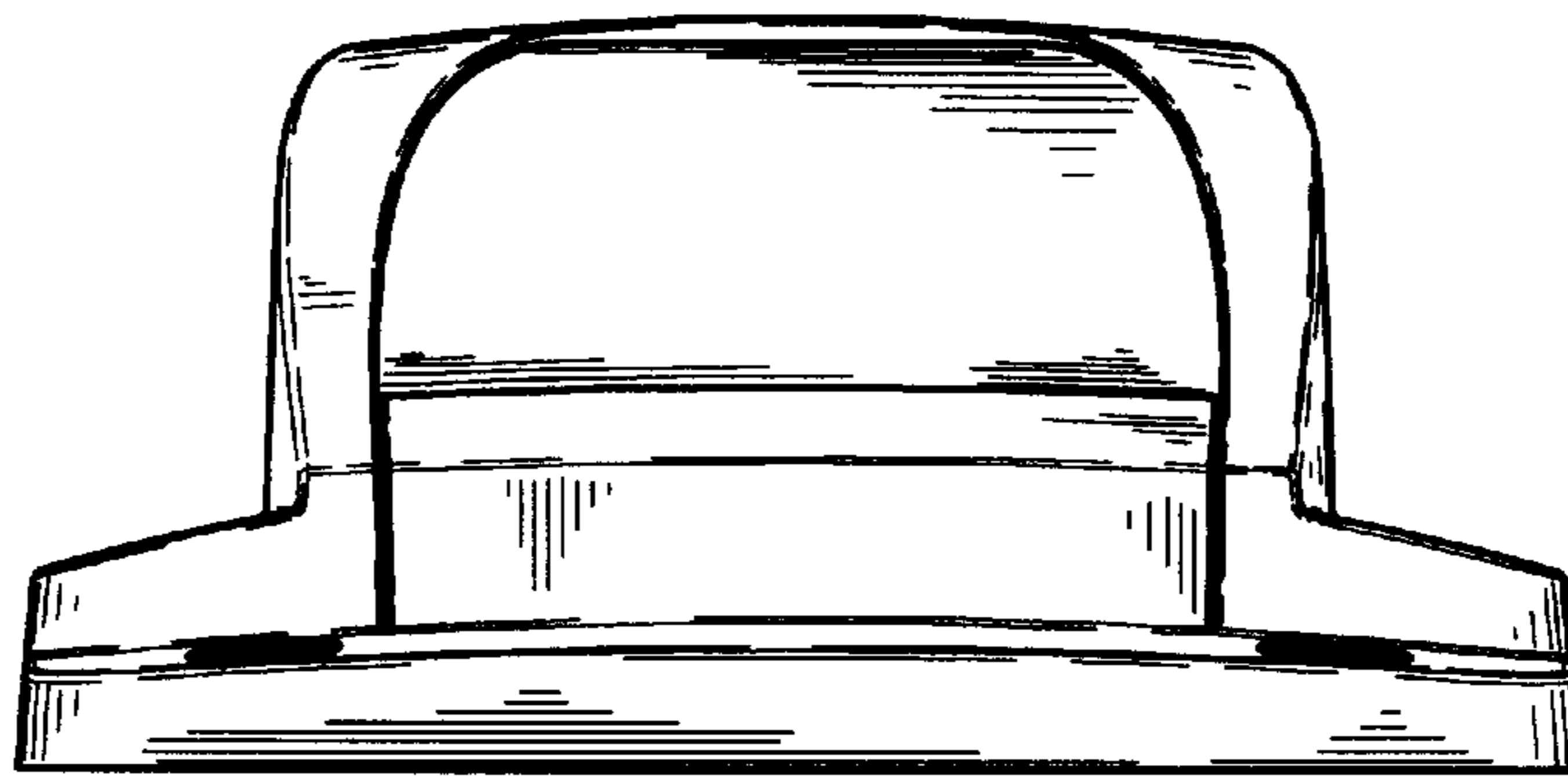


Fig. 6

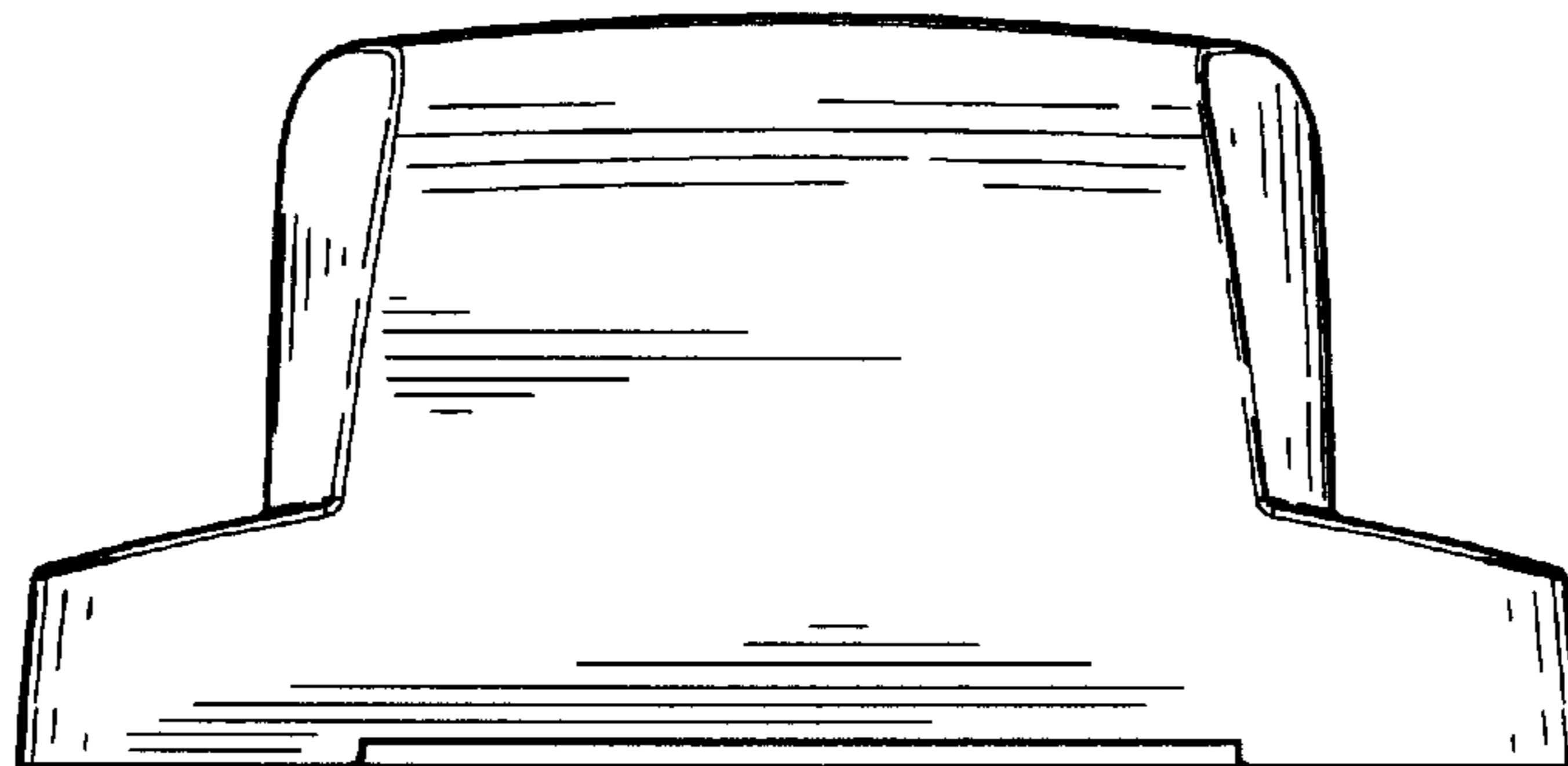


Fig. 7