



US00D540931S

(12) **United States Design Patent** (10) **Patent No.:** **US D540,931 S**
Luo (45) **Date of Patent:** **** Apr. 17, 2007**

(54) **EMANATOR DEVICE**

(75) Inventor: **Wei Luo**, Wenzhou (CN)

(73) Assignee: **Reckitt Benckiser (UK) Limited**,
Slough, Berkshire (GB)

(**) Term: **14 Years**

(21) Appl. No.: **29/212,333**

(22) Filed: **Aug. 31, 2004**

(Under 37 CFR 1.47)

(30) **Foreign Application Priority Data**

Mar. 4, 2004 (EM) 000145032

(51) **LOC (8) Cl.** **06-01**

(52) **U.S. Cl.** **D23/366**

(58) **Field of Classification Search** 392/386,
392/390–394, 398, 401, 403, 405–406; 239/135–136,
239/34, 35, 56–58, 37, 41, 42, 60; 261/DIG. 17,
261/DIG. 65, DIG. 88, DIG. 89; D23/355–369
See application file for complete search history.

(56) **References Cited**

U.S. PATENT DOCUMENTS

D159,407 S *	7/1950	Costello	D23/366
2,513,919 A *	7/1950	Costello	392/392
3,748,438 A *	7/1973	Costello	392/392
D246,986 S *	1/1978	Costello	D23/366
4,214,146 A *	7/1980	Schimanski	392/390
4,467,177 A *	8/1984	Zobebe	392/392
5,038,394 A *	8/1991	Hasegawa et al.	392/395
5,290,546 A *	3/1994	Hasegawa et al.	424/76.2
D355,530 S *	2/1995	Chan	D4/138
D400,662 S *	11/1998	Davis	D23/366
D403,419 S *	12/1998	Davis	D23/366
6,278,840 B1 *	8/2001	Basaganas Millan	392/390
D449,101 S *	10/2001	Wolpert et al.	D23/366
D461,885 S *	8/2002	Jordi	D23/366

D466,205 S *	11/2002	Garcia	D23/366
D477,065 S *	7/2003	Lonczak et al.	D23/366
D489,123 S *	4/2004	Basaganas Millan	D23/366
2003/0231876 A1 *	12/2003	Basaganas Millan	392/390

* cited by examiner

Primary Examiner—Sandra Snapp

(74) *Attorney, Agent, or Firm*—Norris McLaughlin & Marcus, PA

(57) **CLAIM**

The ornamental design for an emanator device, as shown and described.

DESCRIPTION

The patent or application file contains at least one drawing executed in color. Copies of this patent application publication with color drawing(s) will be provided by the Office upon request and payment of the necessary fee.

FIG. 1 is a perspective view taken from the bottom of a color embodiment of an emanator device;

FIG. 2 is a perspective view of the top thereof;

FIG. 3 is a plan view of the bottom thereof;

FIG. 4 is a plan view of the top thereof;

FIG. 5 is an elevation view of the side thereof;

FIG. 6 is an elevation view the front thereof;

FIG. 7 is an elevation view of the rear thereof;

FIG. 8 is a perspective view taken from the bottom of an alternative embodiment of an emanator device;

FIG. 9 is a perspective view of the top thereof;

FIG. 10 is a plan view of the bottom thereof;

FIG. 11 is a plan view of the top thereof;

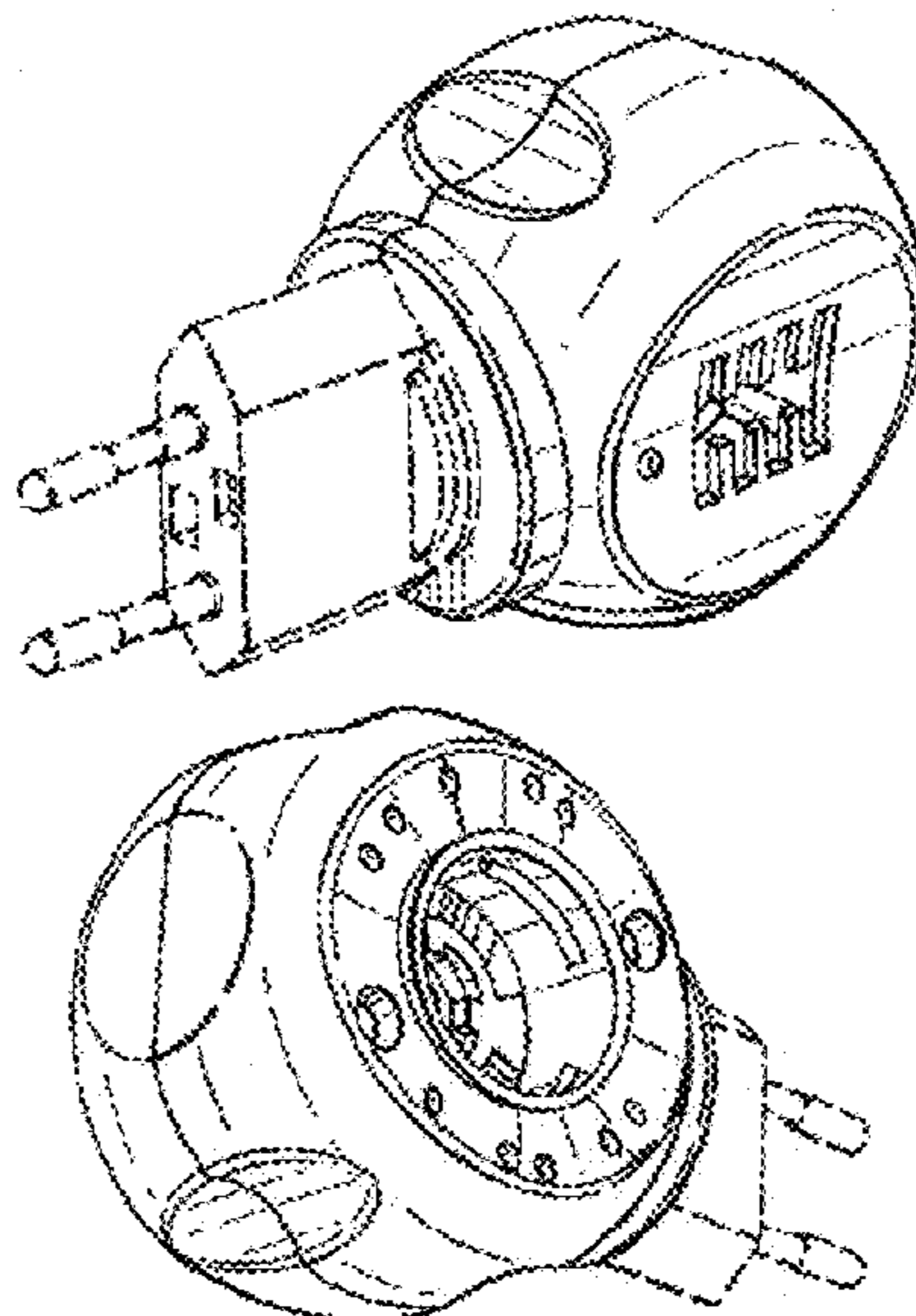
FIG. 12 is an elevation view of the side thereof;

FIG. 13 is an elevation view the front thereof; and,

FIG. 14 is an elevation view of the rear thereof.

1 Claim, 4 Drawing Sheets

(2 of 4 Drawing Sheet(s) Filed in Color)



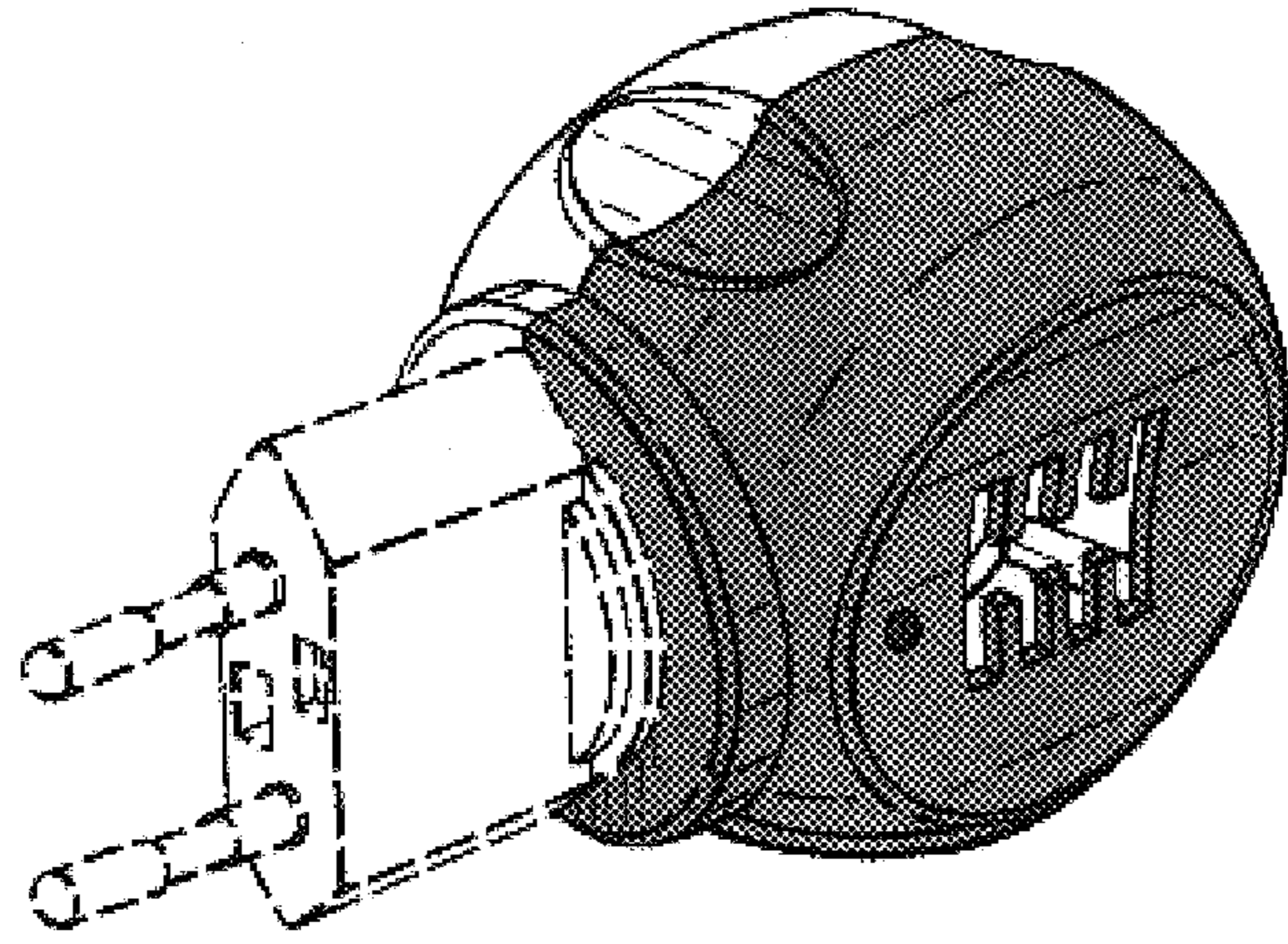


Fig. 1.

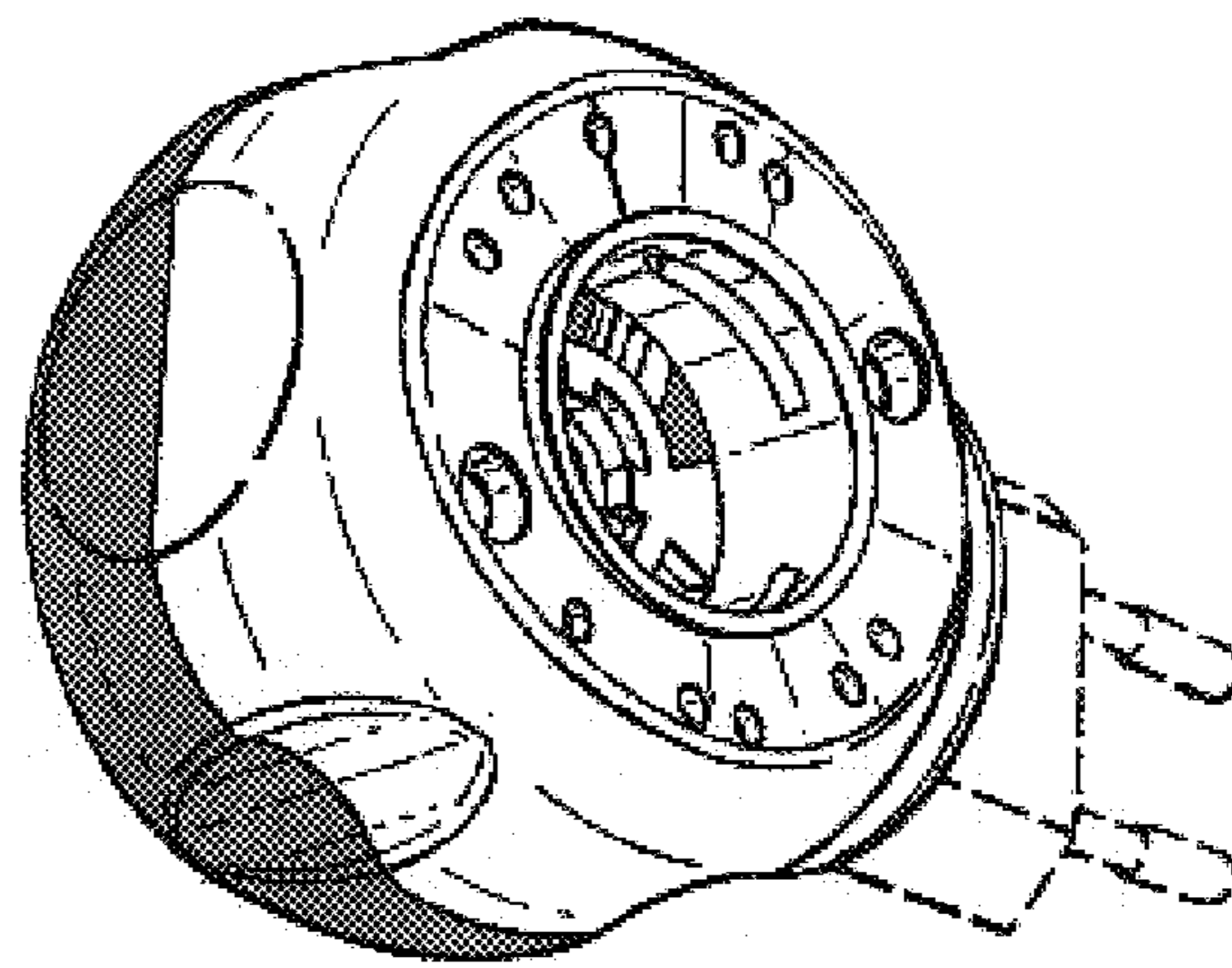


Fig. 2.

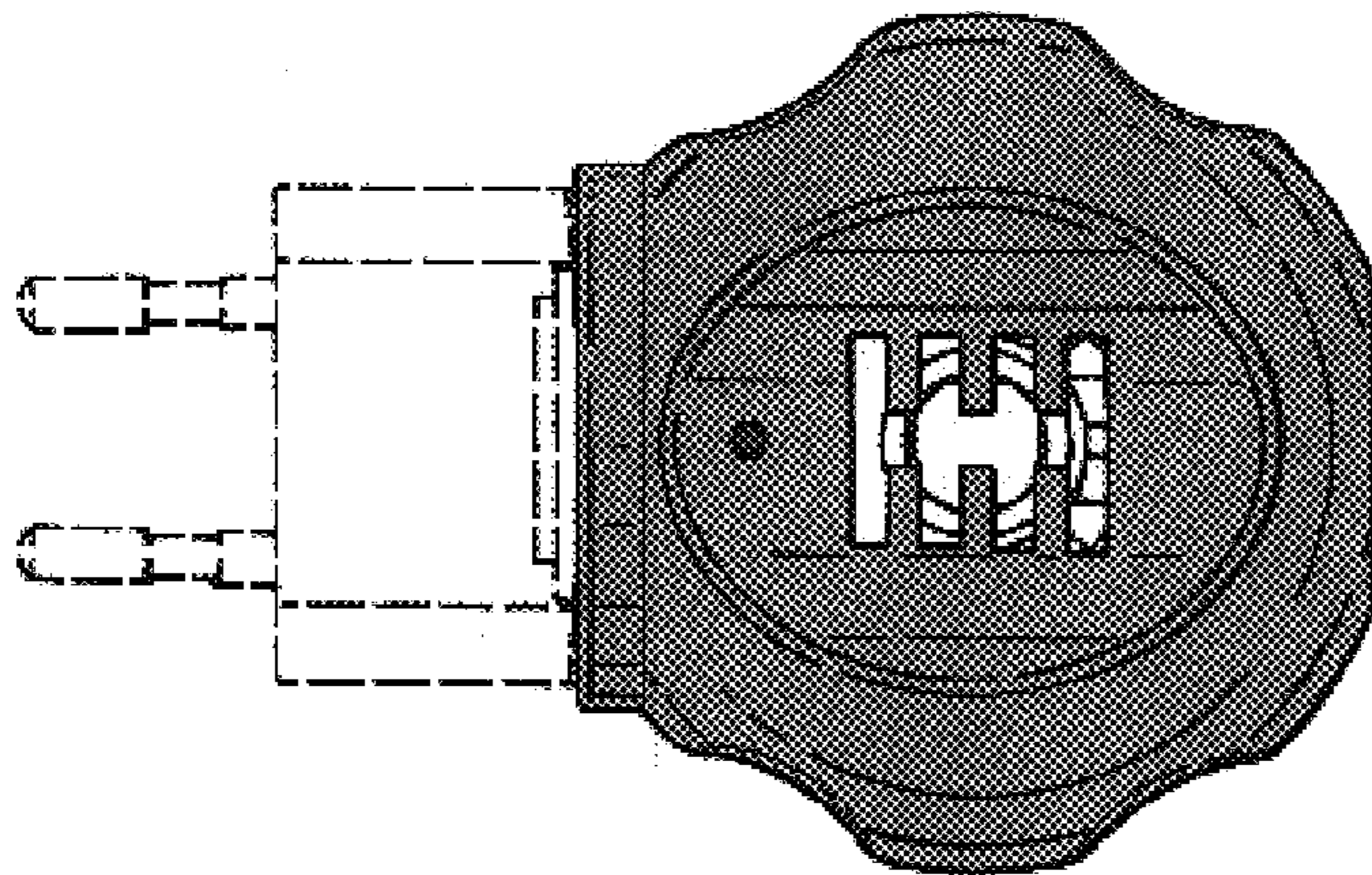


Fig. 3.

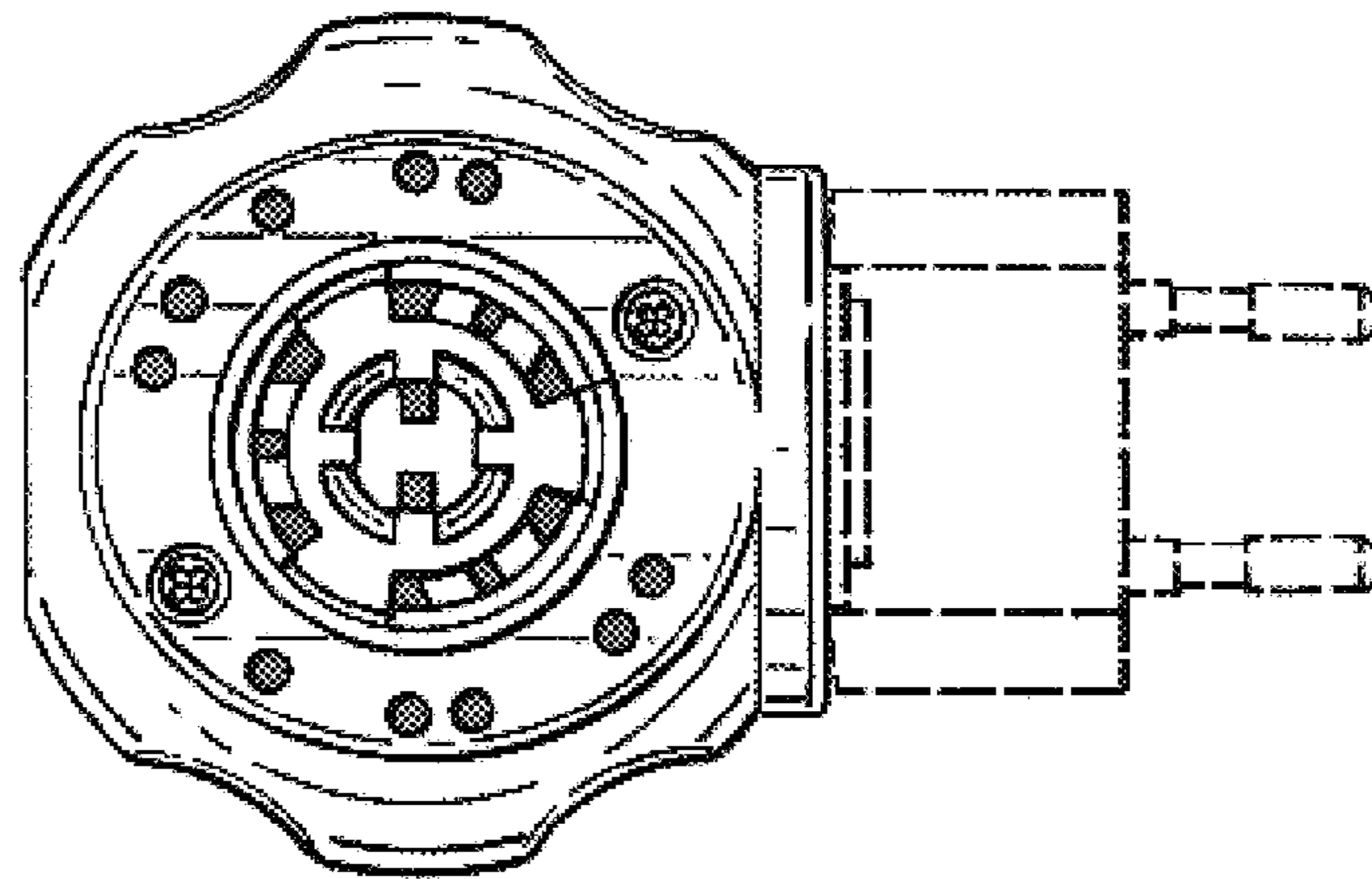


Fig. 4.

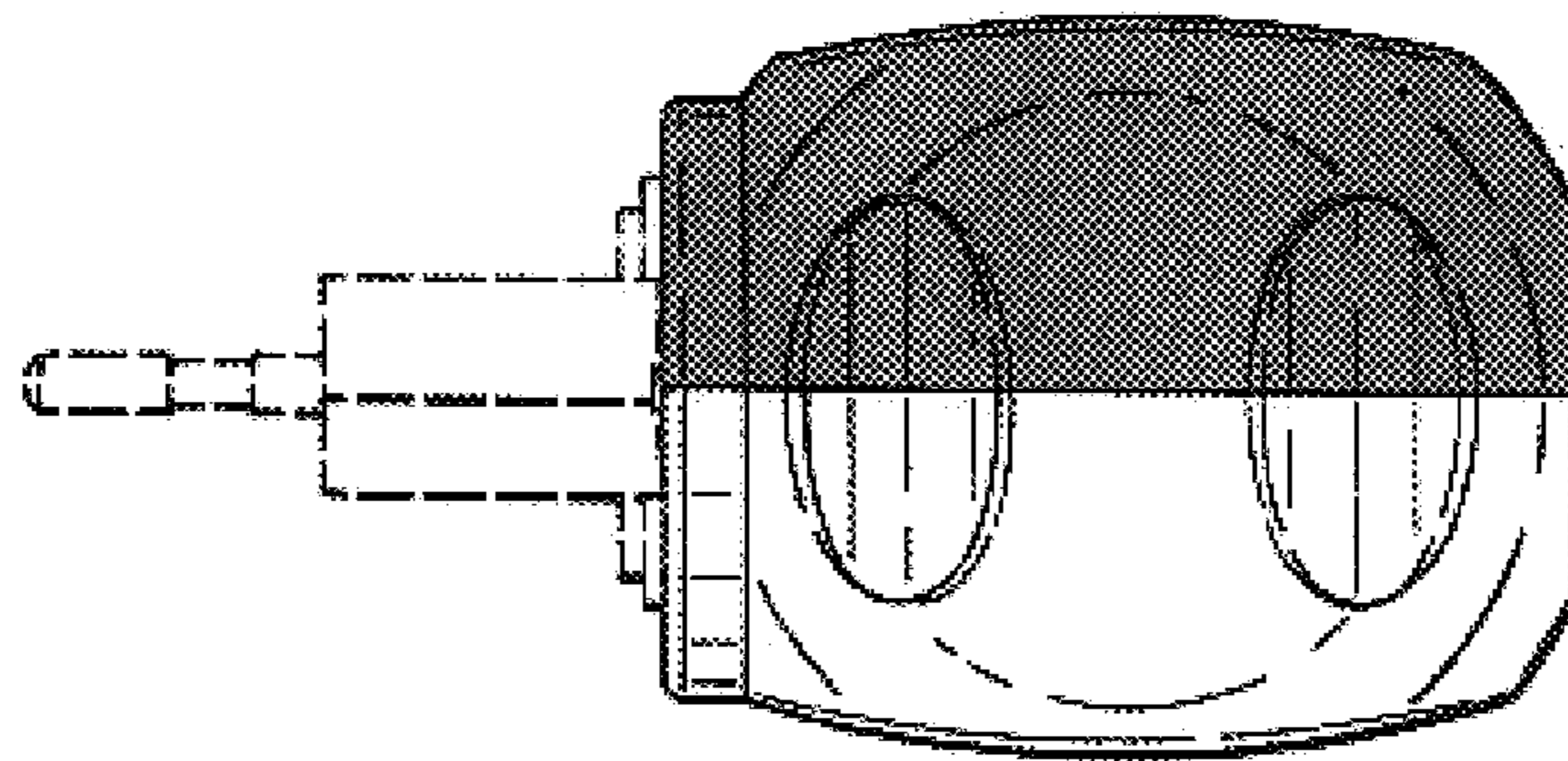


Fig. 5.

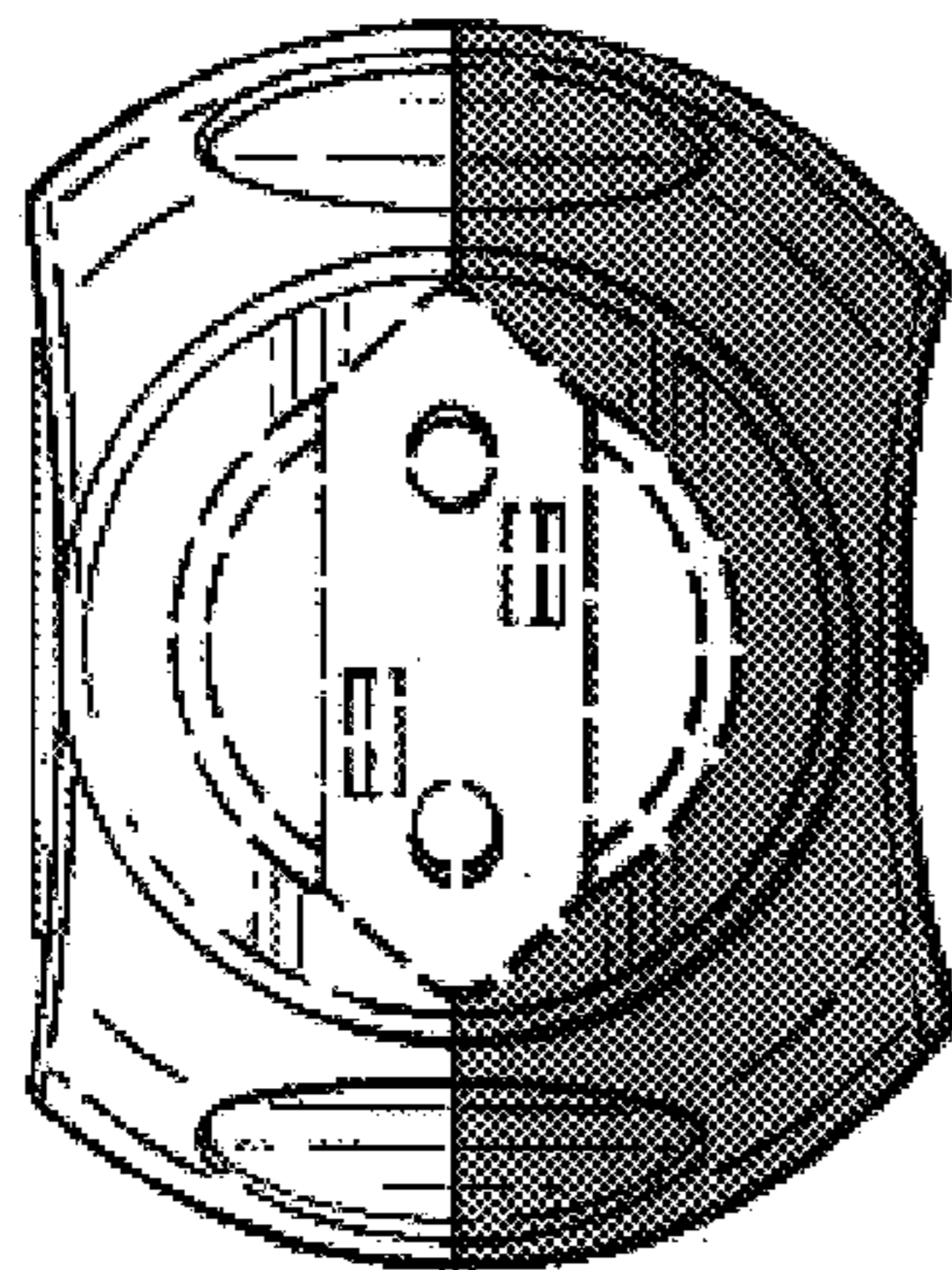


Fig. 6.

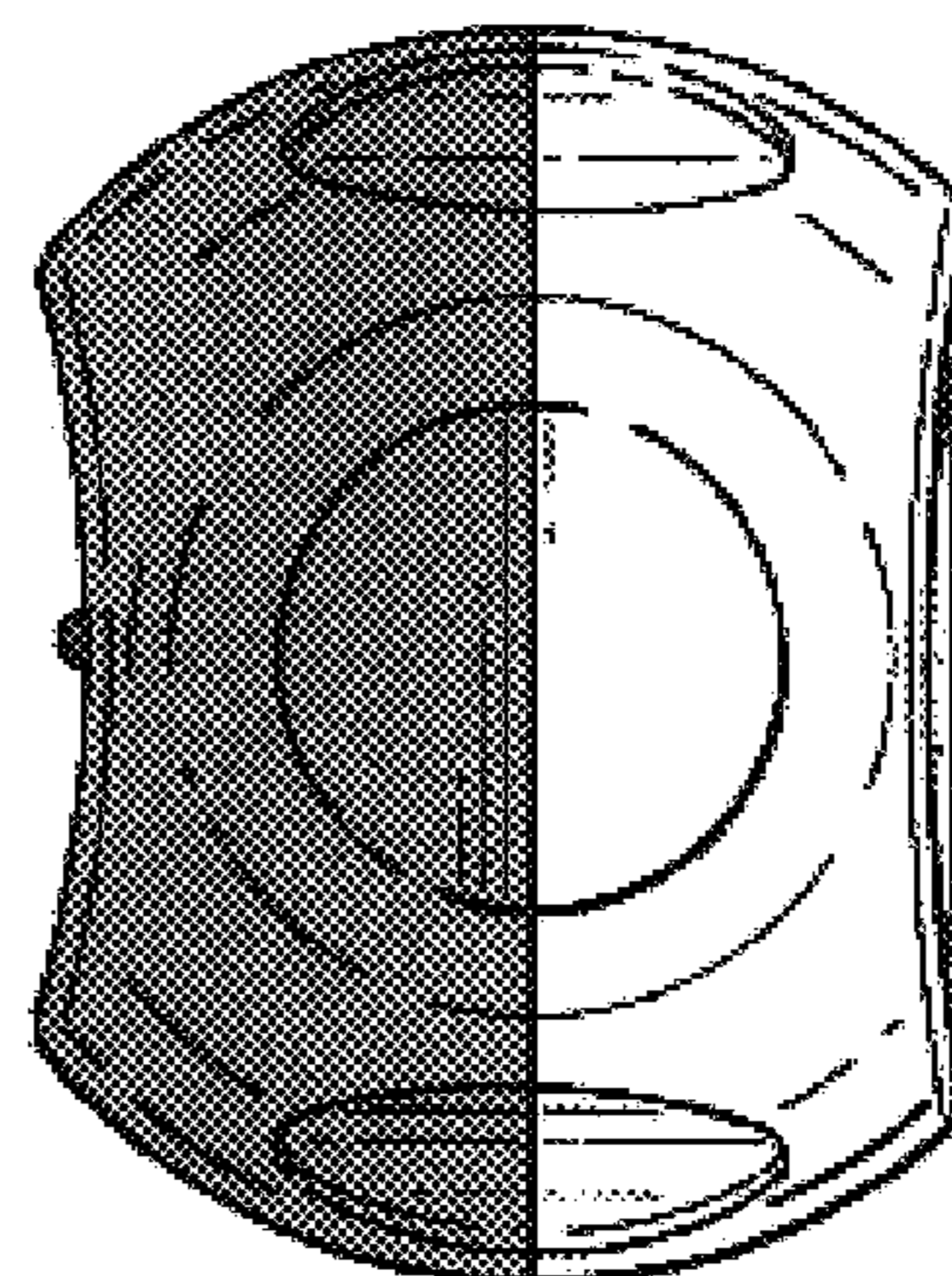


Fig. 7.

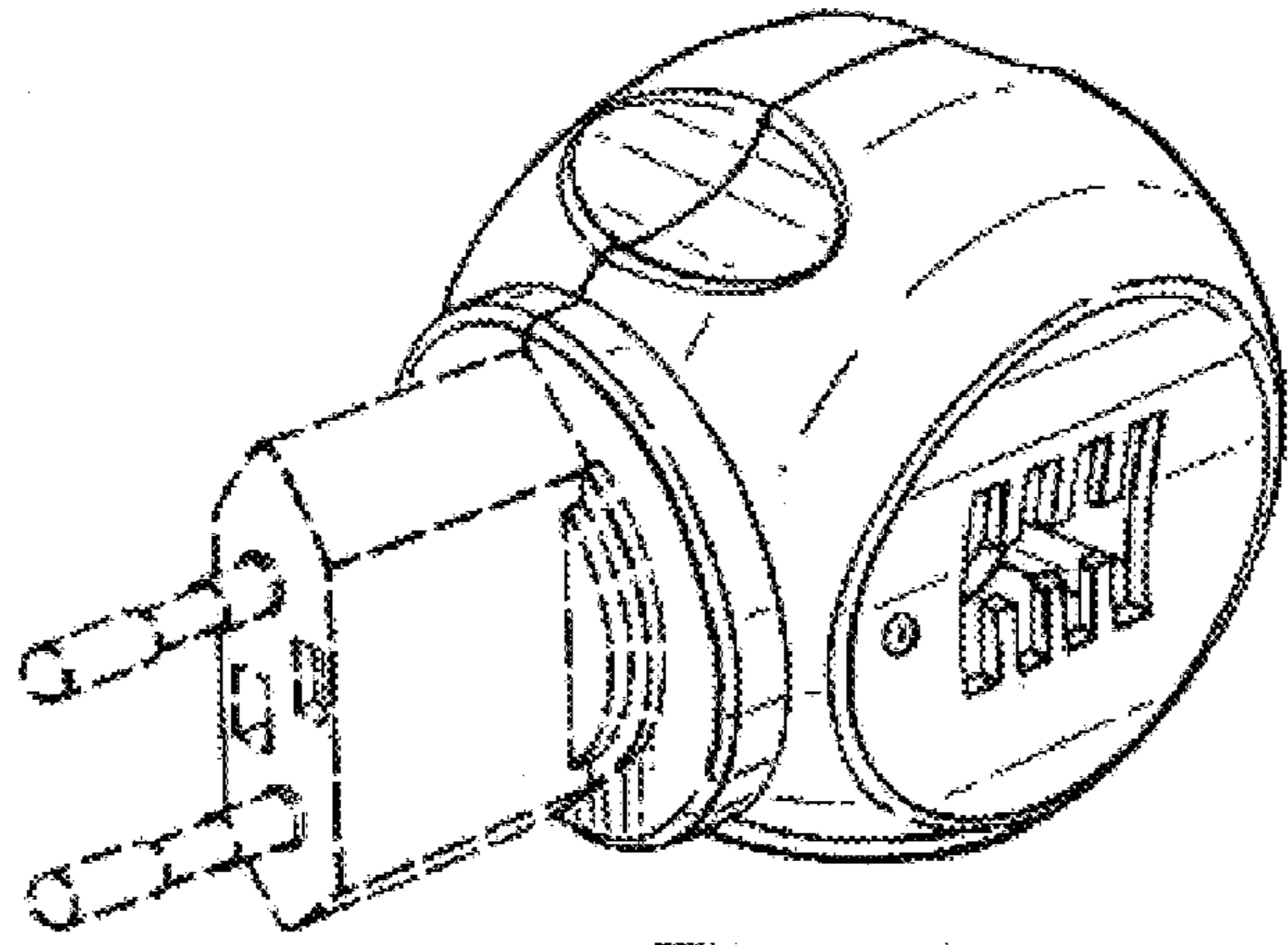


Fig. 8.

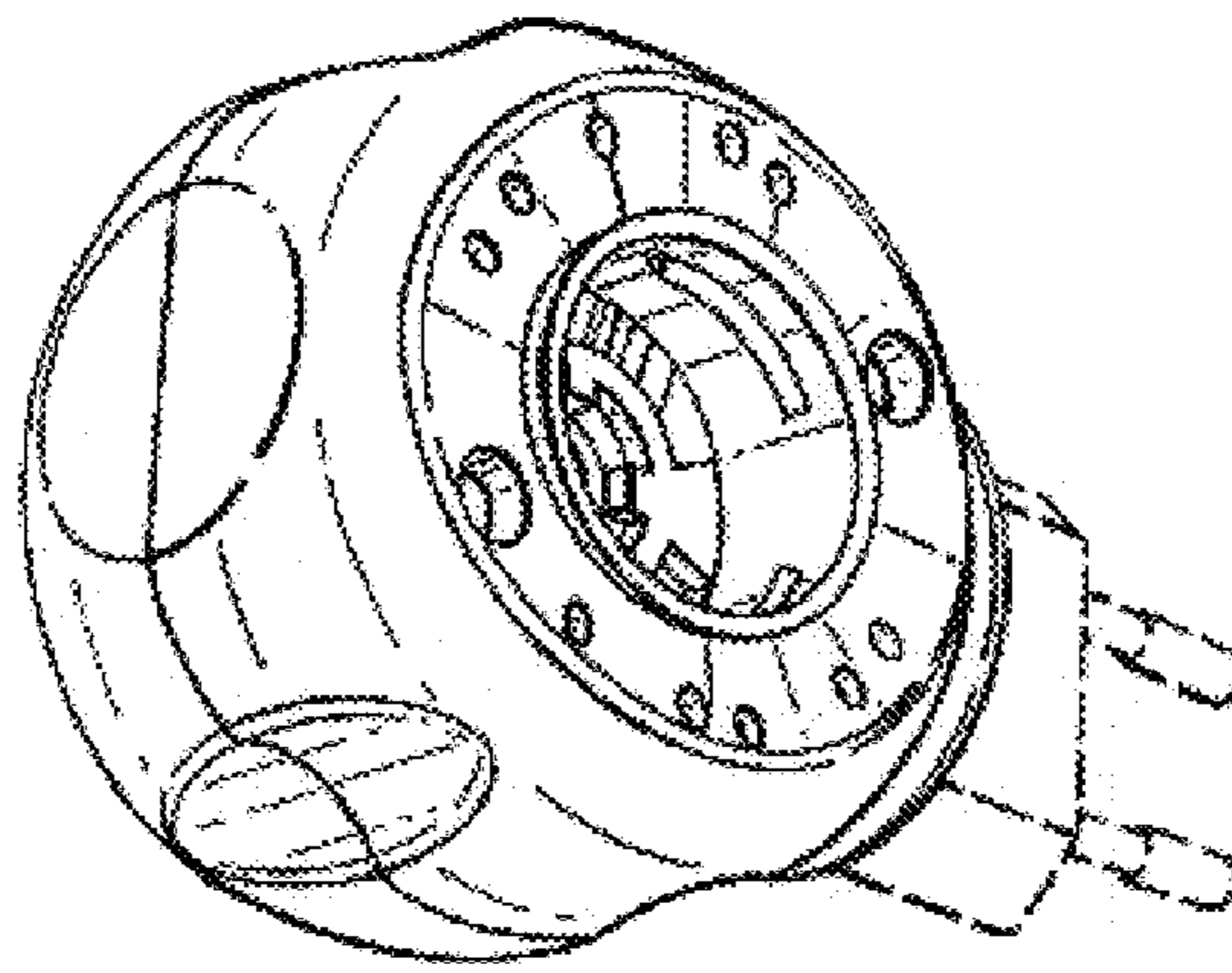


Fig. 9.

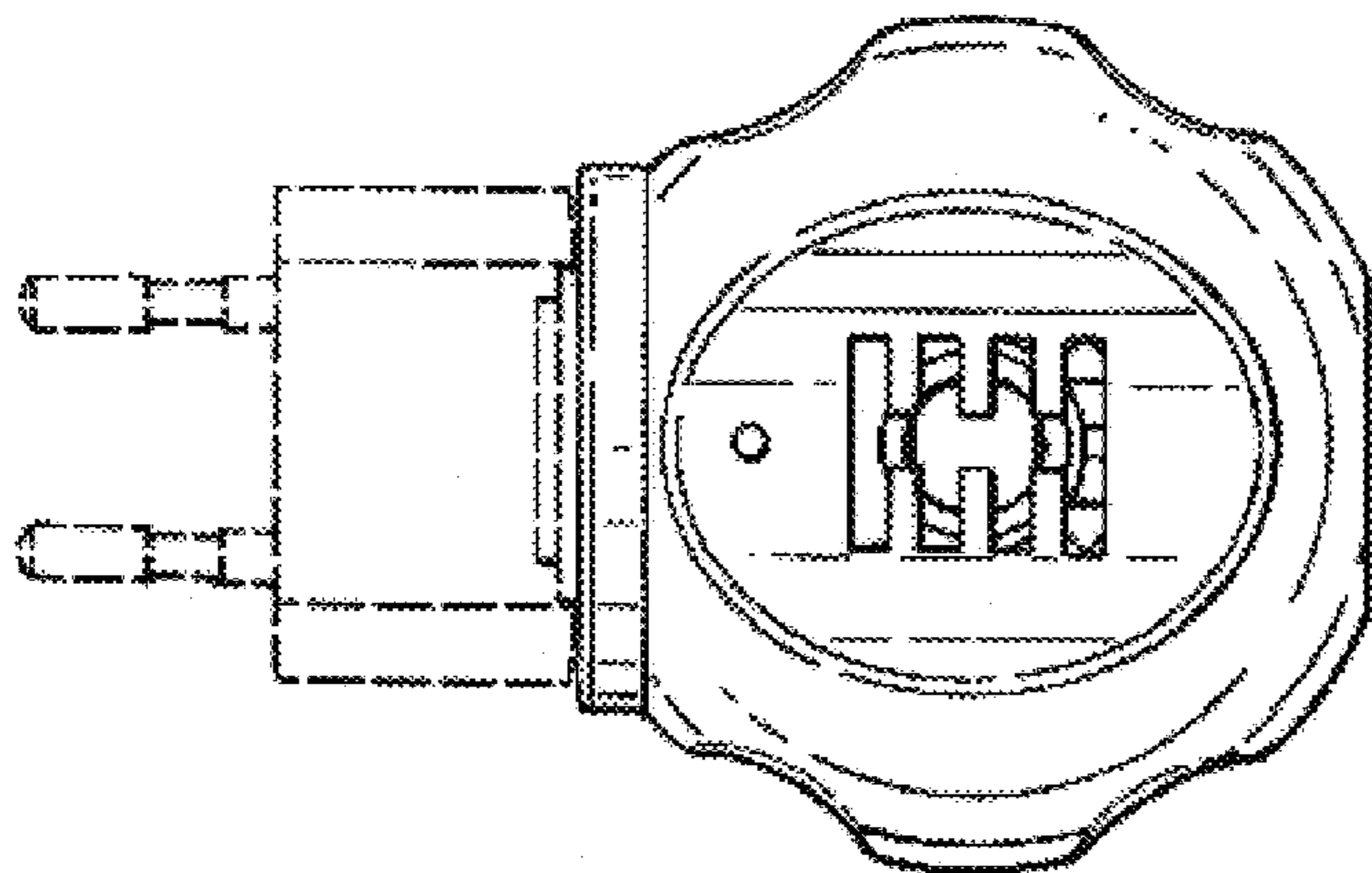


Fig. 10.

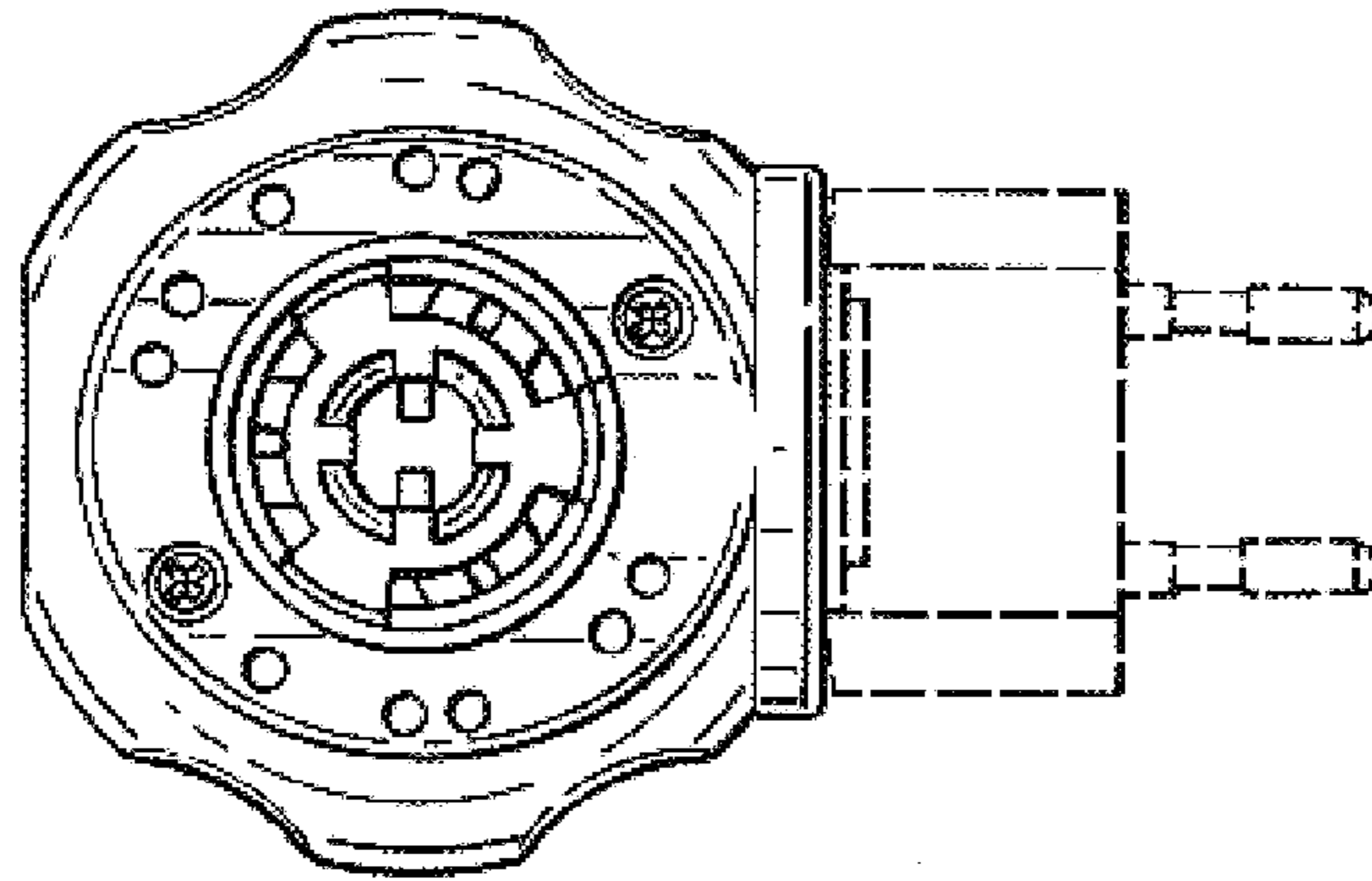


Fig. 11.

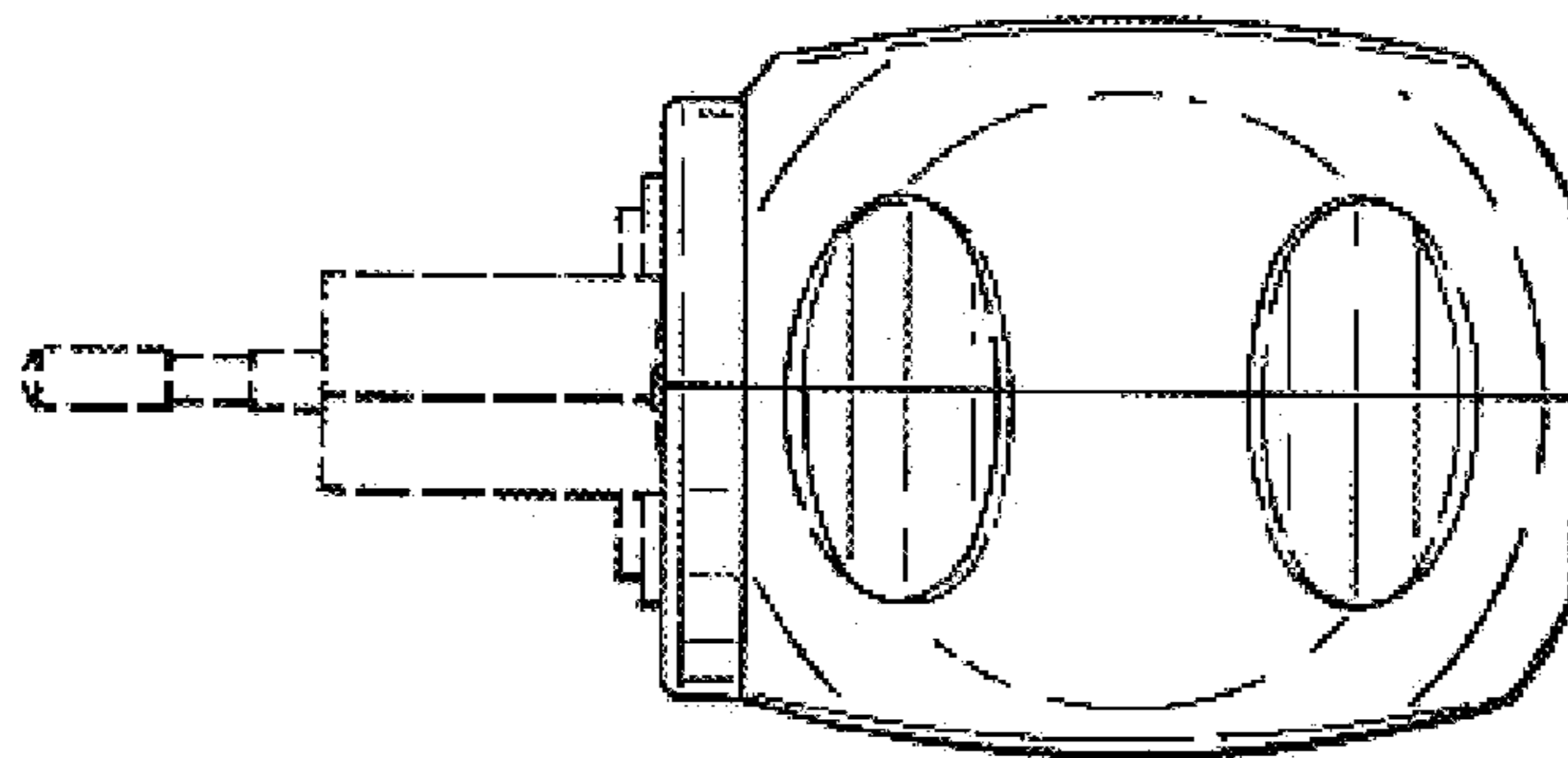


Fig. 12.

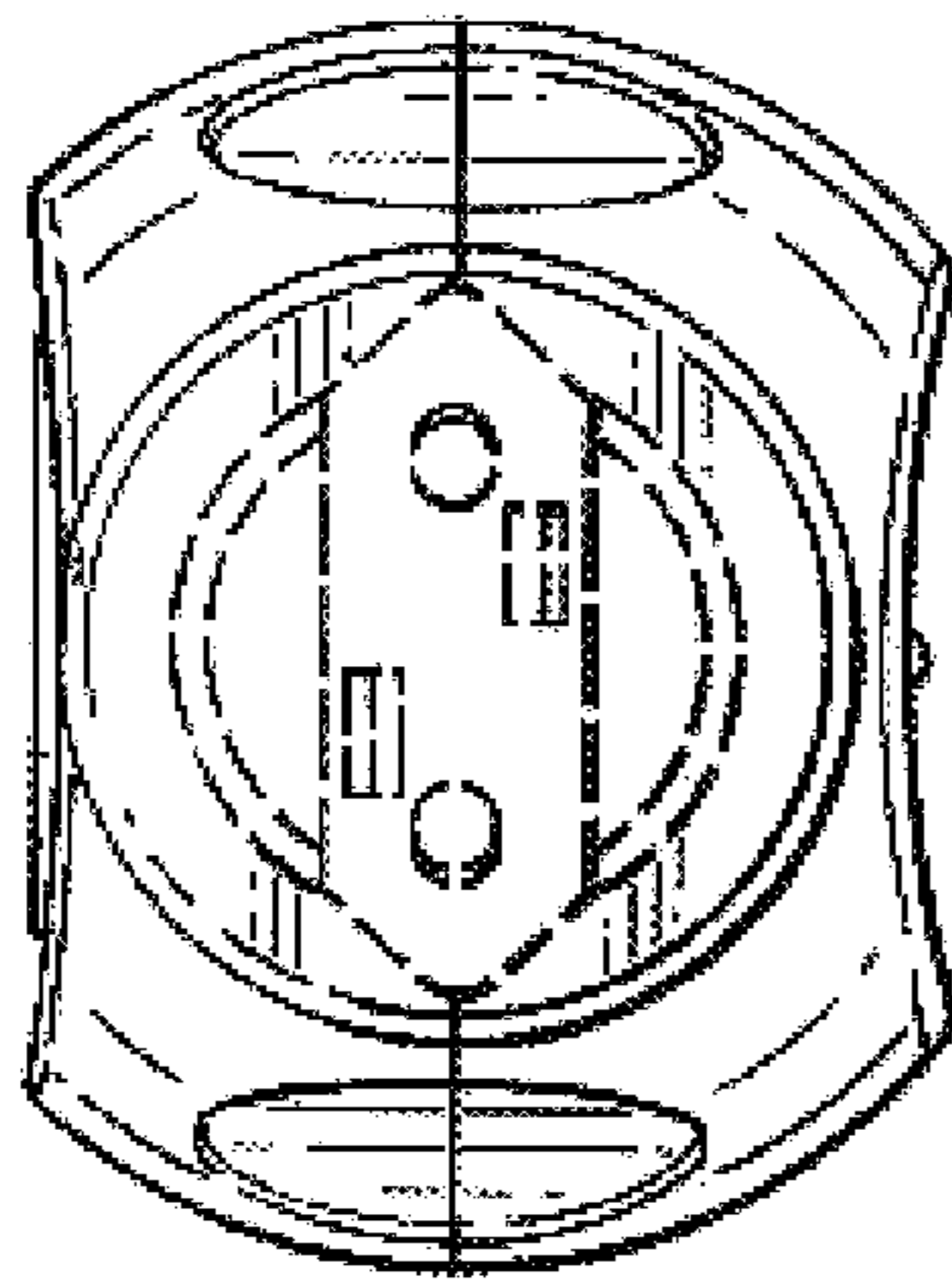


Fig. 13.

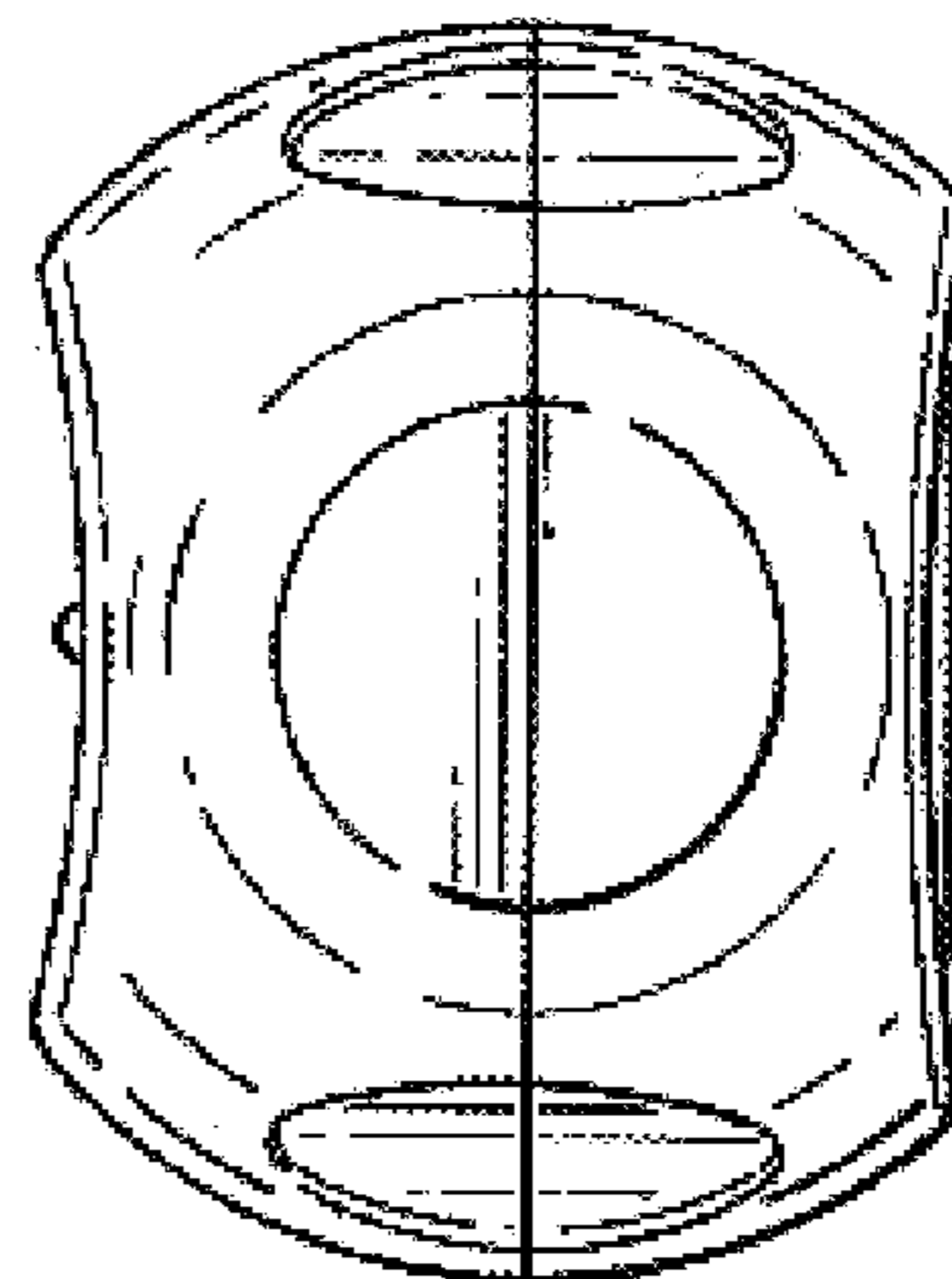


Fig. 14.