



US00D540929S

(12) **United States Design Patent**  
**Kowis et al.**

(10) **Patent No.:** **US D540,929 S**  
(45) **Date of Patent:** **\*\* Apr. 17, 2007**

(54) **AIR CLEANER COVER**

(75) Inventors: **Kayne M. Kowis**, Hartland, WI (US);  
**Timothy B. Strandell**, Racine, WI  
(US); **Geoffrey P. Zabrowski**, Racine,  
WI (US)

(73) Assignee: **Briggs & Stratton Corporation**,  
Wauwatosa, WI (US)

(\*\*) Term: **14 Years**

(21) Appl. No.: **29/236,908**

(22) Filed: **Aug. 24, 2005**

(51) **LOC (8) Cl.** ..... **23-04**

(52) **U.S. Cl.** ..... **D23/364; D15/5**

(58) **Field of Classification Search** ..... **D23/355,**  
**D23/364-5; 55/385.3, DIG. 17; 96/388; D15/5**

See application file for complete search history.

(56) **References Cited**

**U.S. PATENT DOCUMENTS**

2,789,662	A	4/1957	McMullen	
2,862,572	A	12/1958	Amlott	
2,865,467	A	12/1958	McMichael	
3,039,254	A	6/1962	Thornburgh	
4,790,864	A	12/1988	Kostun	
5,059,221	A	10/1991	McWilliam	
5,134,977	A	8/1992	Bagger et al.	
5,164,550	A	11/1992	Beidl et al.	
5,609,658	A	3/1997	Takemura et al.	
5,865,863	A	2/1999	DeSousa et al.	
5,996,734	A	12/1999	Lam et al.	
6,136,871	A *	10/2000	Wirobski	521/60
6,174,343	B1 *	1/2001	Bloomer	55/385.3
6,409,784	B1 *	6/2002	Wehr	55/385.3
6,478,018	B2	11/2002	Fedorowicz et al.	
6,537,338	B2 *	3/2003	Inoue et al.	55/385.3
6,752,859	B2 *	6/2004	LaBarge et al.	96/134
D517,672	S *	3/2006	Schmitt et al.	D23/365
D529,924	S *	10/2006	Ryczek et al.	D15/5

**OTHER PUBLICATIONS**

Briggs & Stratton Illustrated Parts List Model Series 10D900, pp. 5, 9, and 10, Mar. 30, 2005.

Briggs & Stratton Illustrated Parts List Model Series 050000, pp. 6, 12, and 13, Apr. 22, 2005.

Briggs & Stratton Illustrated Parts List Model Series 129700, pp. 4, 13, and 14, Dec. 14, 2005.

FIGS. 1-3 illustrate an air cleaner from a Honda Model EU1000i generator commercially available at least as early as 2001.

FIGS. 4-6 illustrate an air cleaner from a Honda Model EU2000i generator commercially available at least as early as 2001.

(Continued)

*Primary Examiner*—Robin Webster

(74) *Attorney, Agent, or Firm*—Michael Best & Friedrich LLP

(57) **CLAIM**

The ornamental design for an air cleaner cover, as shown and described.

**DESCRIPTION**

FIG. 1 is a front perspective view of the air cleaner cover of FIG. 1

FIG. 2 is a front view of the air cleaner cover of FIG. 1.

FIG. 3 is a rear view of the air cleaner cover of FIG. 1.

FIG. 4 is a top view of the air cleaner cover of FIG. 1.

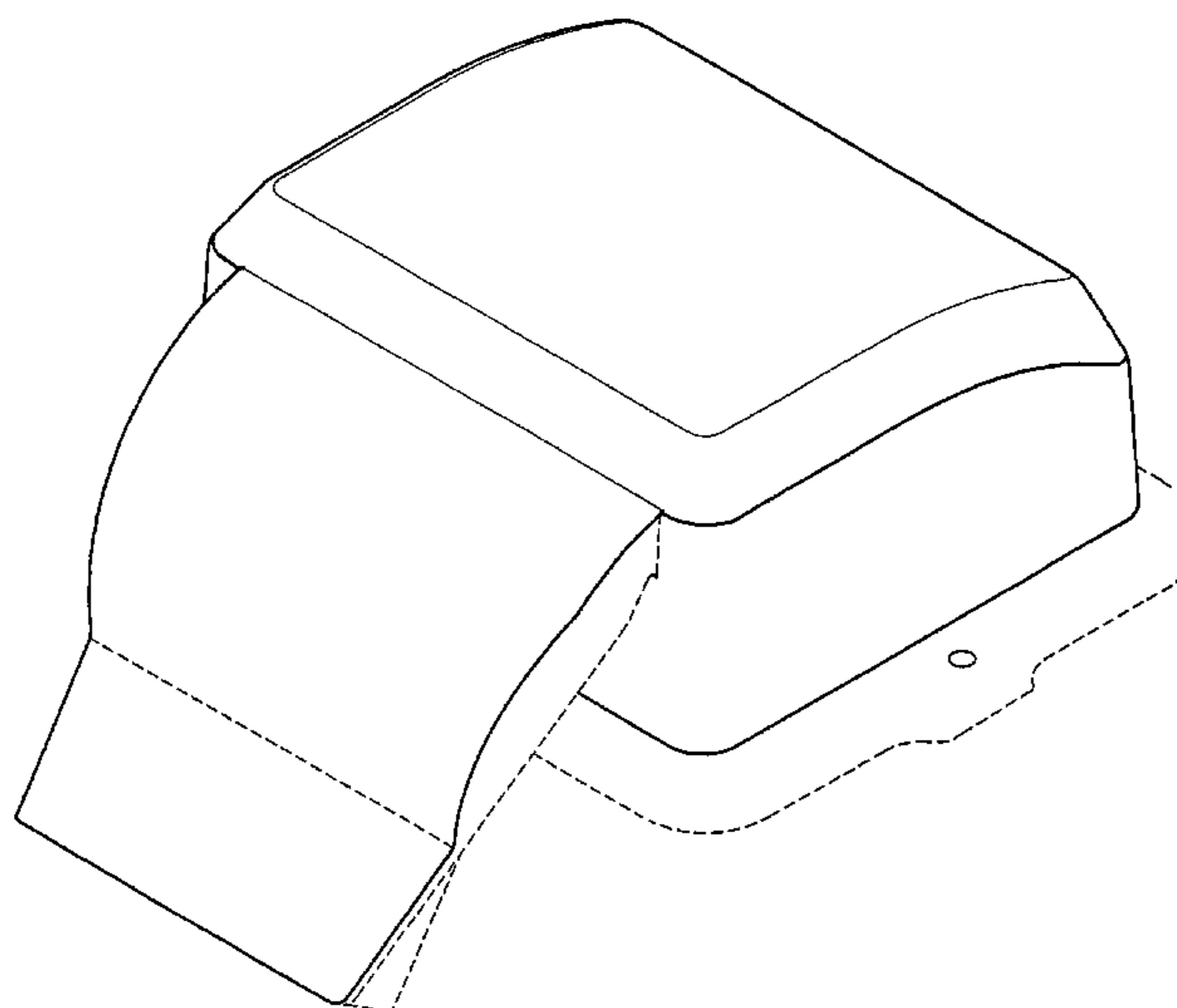
FIG. 5 is a bottom view of the air cleaner cover of FIG. 1.

FIG. 6 is a left side view of the air cleaner cover of FIG. 1; and,

FIG. 7 is a right side view of the air cleaner cover of FIG. 1.

The broken line showing of the environment is for illustrative purposes only and forms no part of the claimed design. The broken lines which define portions of the air cleaner cover of the claimed design form no part thereof.

**1 Claim, 5 Drawing Sheets**



OTHER PUBLICATIONS

FIGS. 7-9 illustrate an air cleaner from a Yanmar Model GA180 engine commercially available at least as early as 2005.

FIGS. 10-11 illustrate an air cleaner from a Tecumseh engine commercially available at least as early as 1979.

FIGS. 12-13 illustrate an air cleaner from a Mitsubishi Heavy Industries Model No. 245432 engine commercially available at least as early as May 18, 2005.

FIGS. 14-15 illustrate an air cleaner from a Briggs & Stratton Model 13 engine commercially available at least as early as Aug. 14, 1992.

FIGS. 16-17 illustrate an air cleaner cover from a Briggs & Stratton Model 9U and Model 11U engine commercially available at least as early as Nov. 1, 1983.

\* cited by examiner

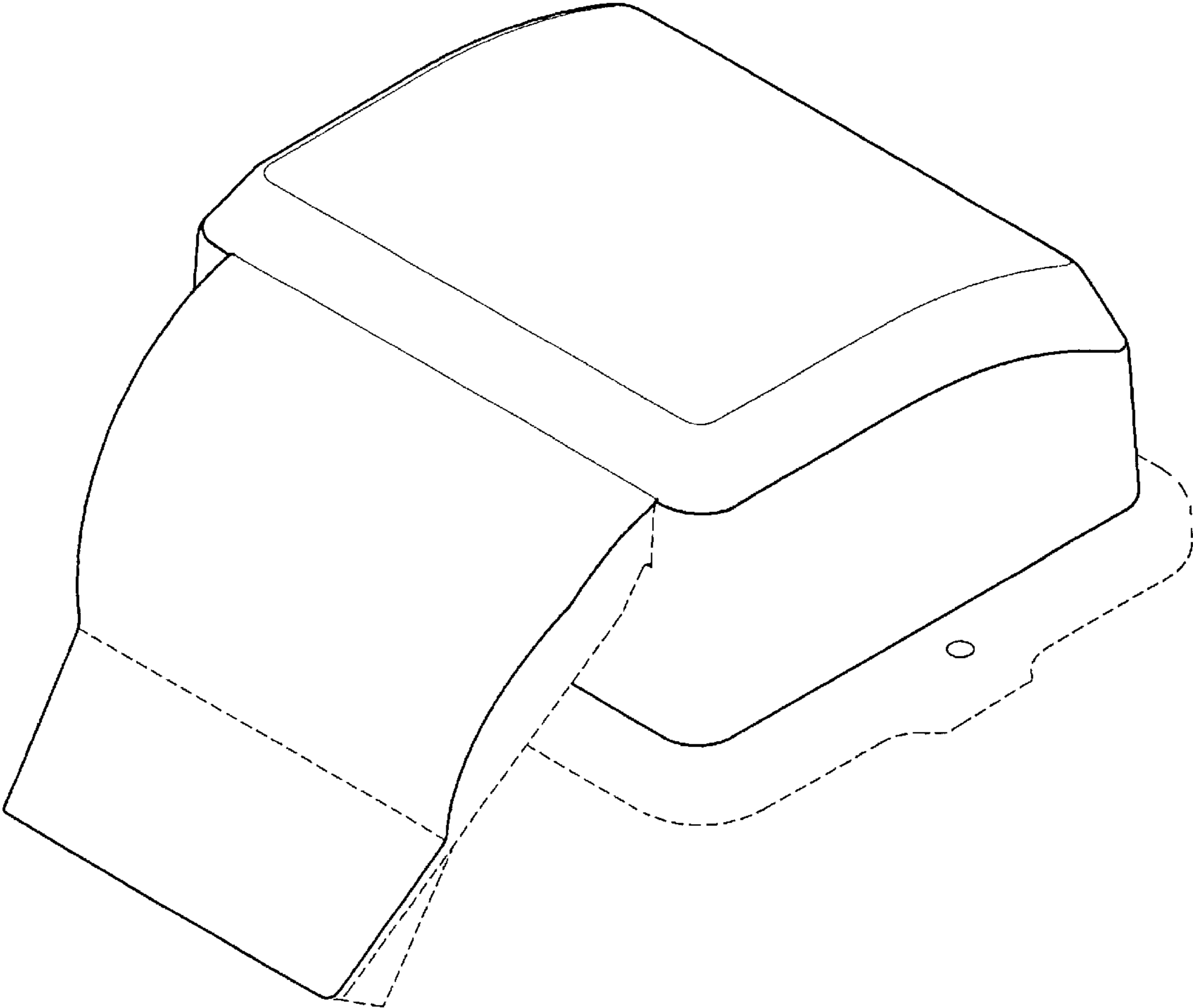
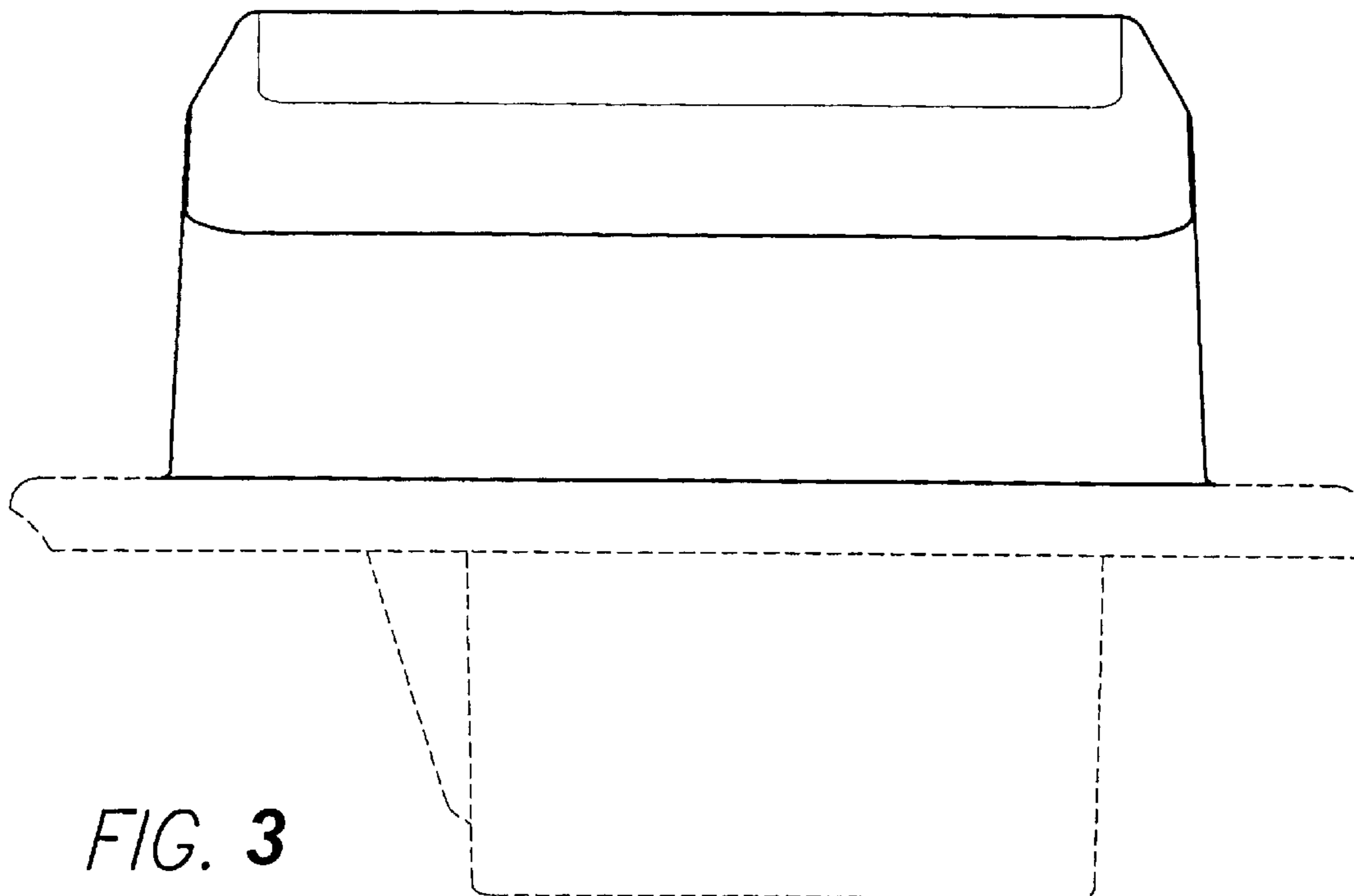
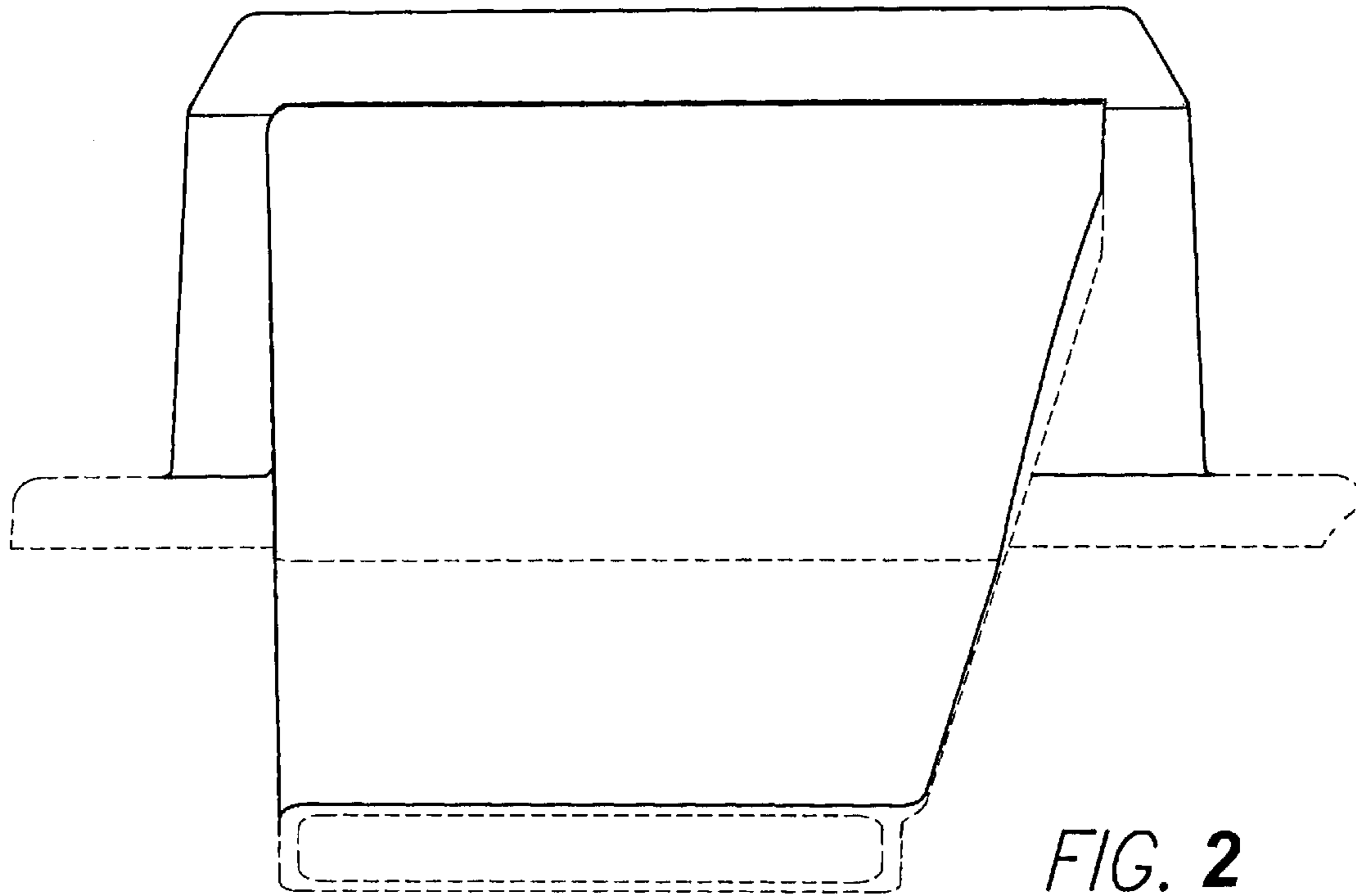


FIG. 1



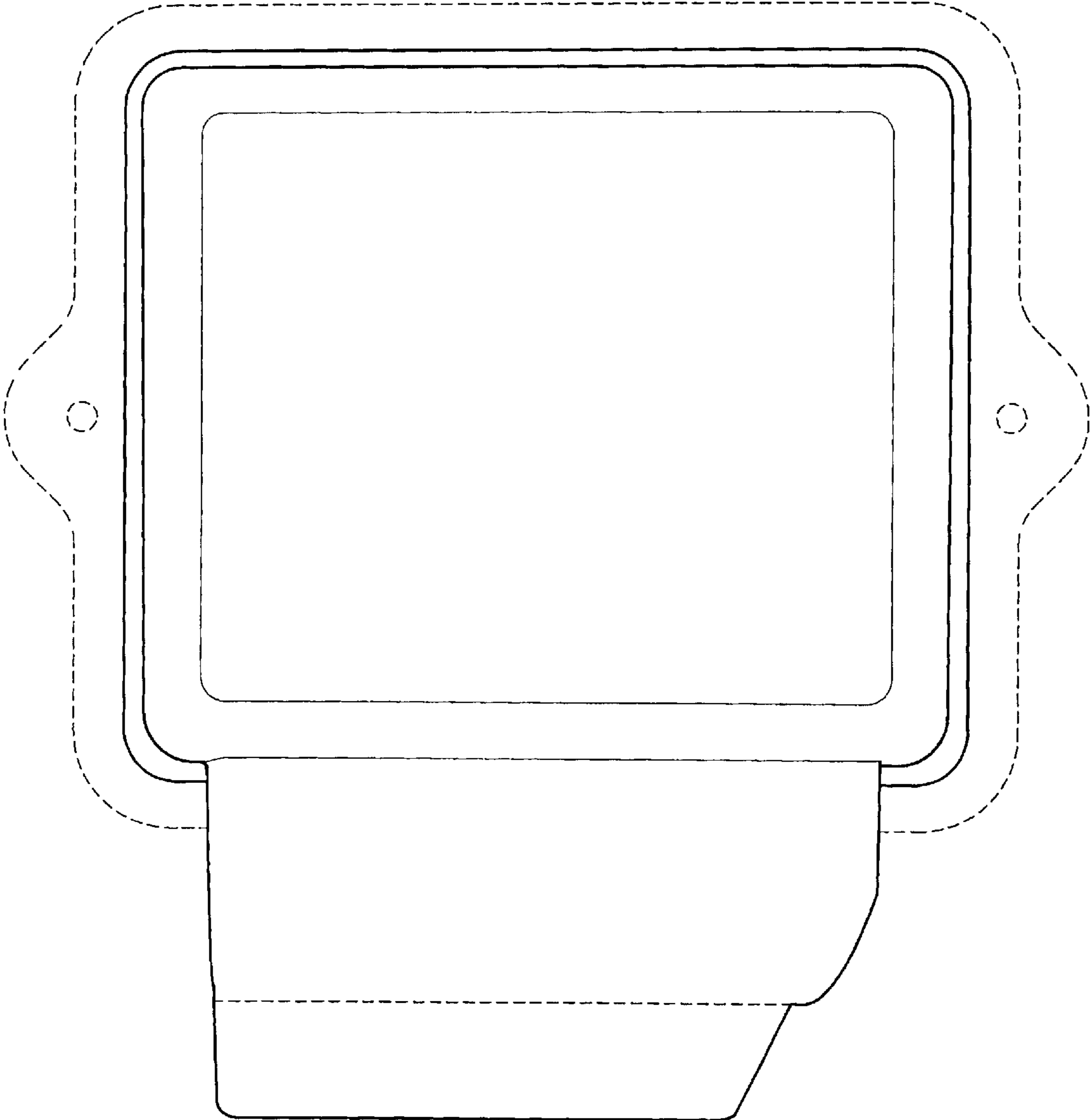


FIG. 4

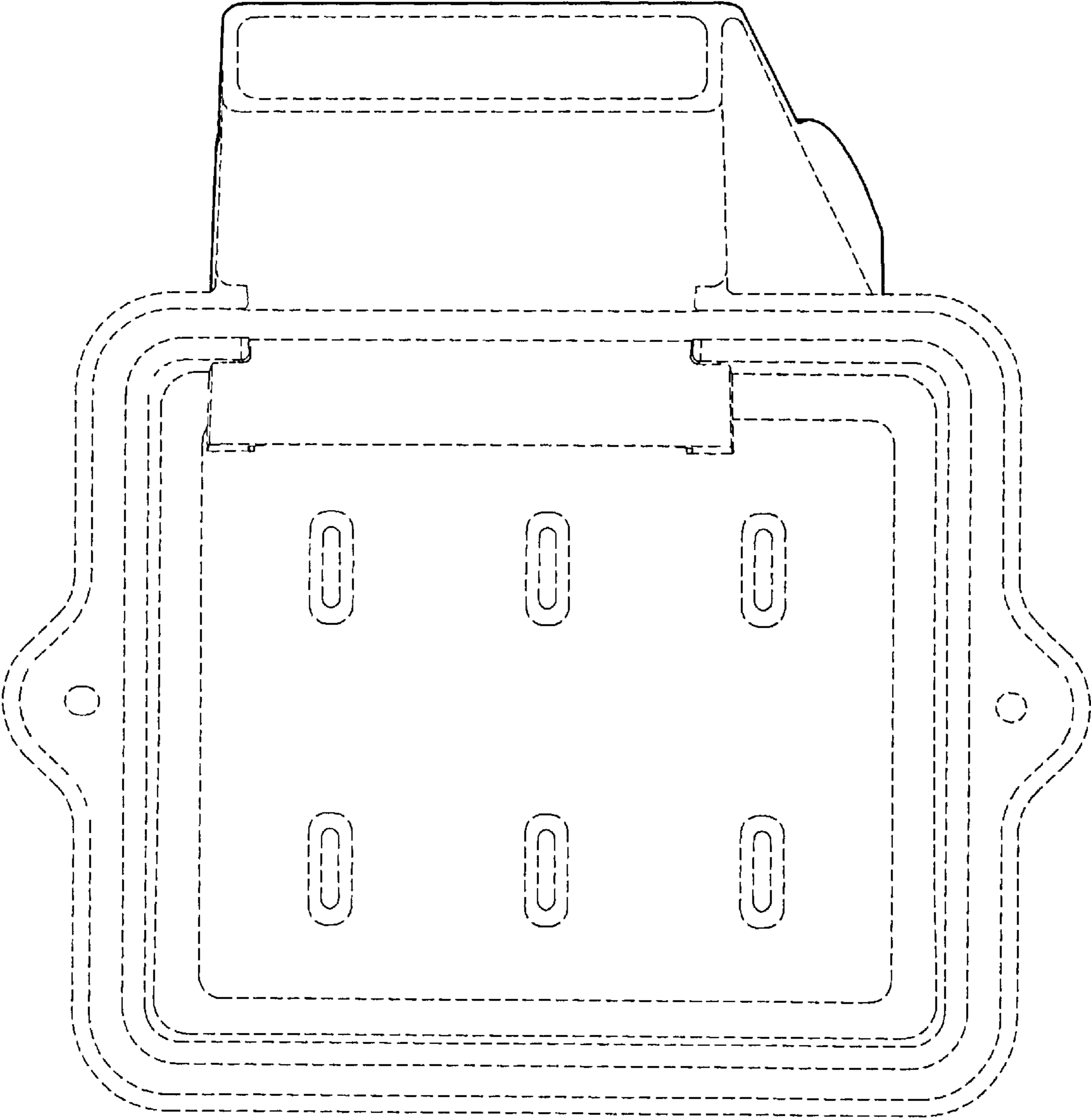
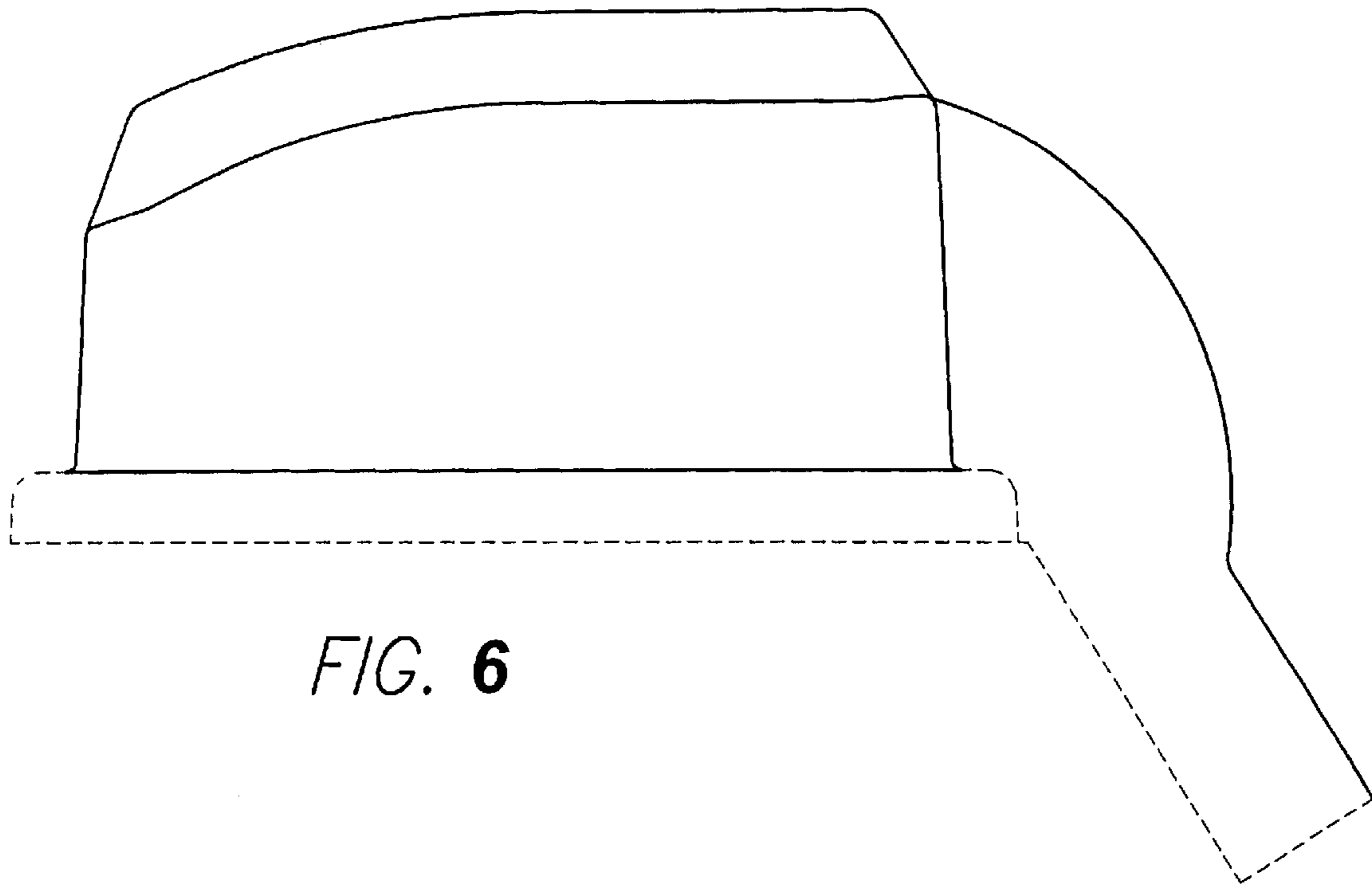
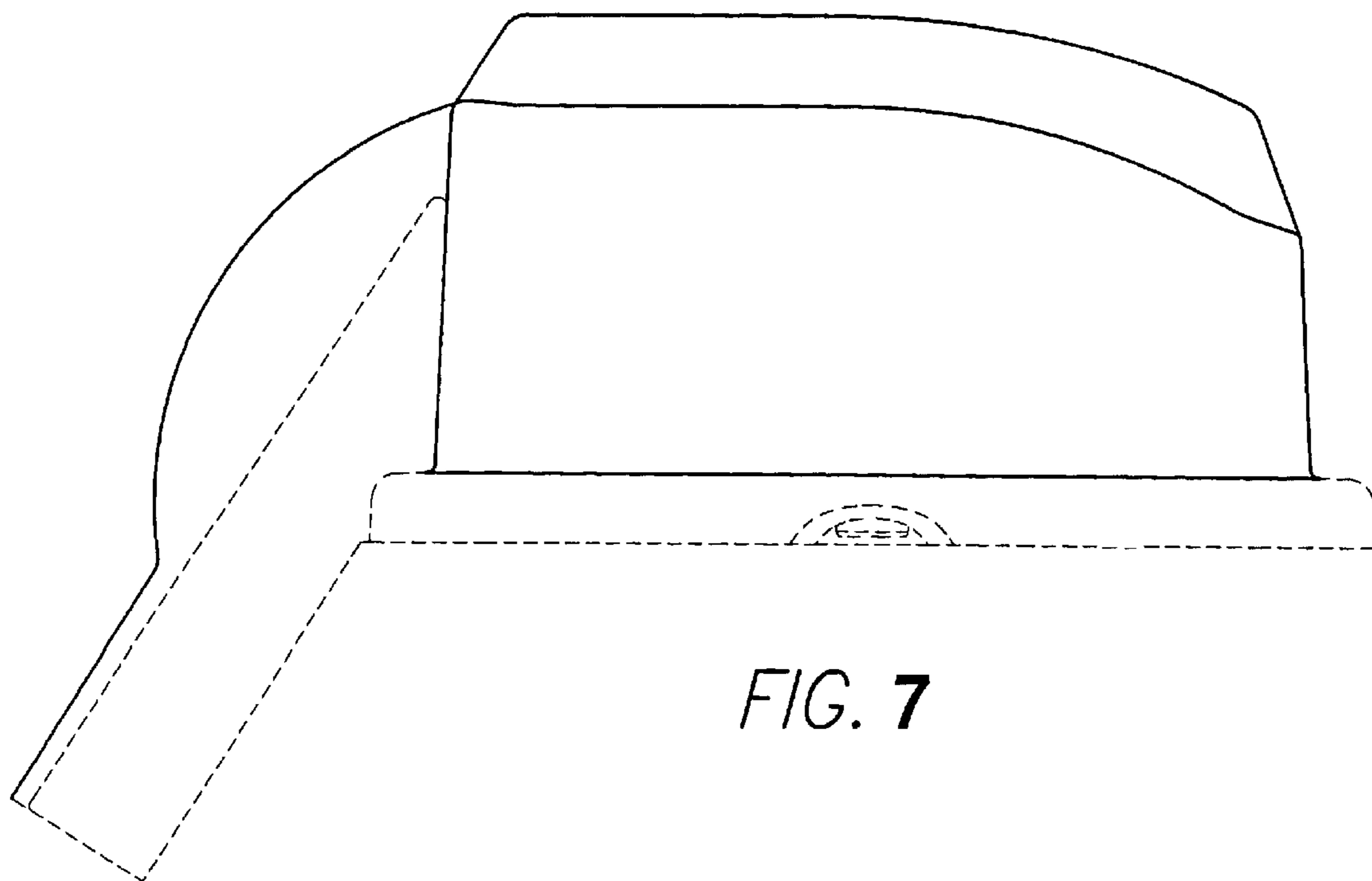


FIG. 5



*FIG. 6*



*FIG. 7*