

US00D540928S

(12) **United States Design Patent**
Matel et al.

(10) **Patent No.:** **US D540,928 S**
(45) **Date of Patent:** **** Apr. 17, 2007**

(54) **AIR CLEANER COVER**

(75) Inventors: **Elliot Matel**, Milwaukee, WI (US);
Marvin Vissers, Oak Creek, WI (US);
Jeffrey H. Whitmore, Shorewood, WI (US)

(73) Assignee: **Briggs & Stratton Corporation**,
Wauwatosa, WI (US)

(**) Term: **14 Years**

(21) Appl. No.: **29/236,100**

(22) Filed: **Aug. 11, 2005**

(51) **LOC (8) Cl.** **23-04**

(52) **U.S. Cl.** **D23/364; D15/5**

(58) **Field of Classification Search** D23/355,
D23/364-5; 55/385.3, DIG. 17; 96/388; D15/5
See application file for complete search history.

(56) **References Cited**

U.S. PATENT DOCUMENTS

2,480,379 A	8/1949	Newberry	
2,789,662 A	4/1957	McMullen	
2,862,572 A	12/1958	Amlott	
2,865,467 A	12/1958	McMichael	
3,039,254 A	6/1962	Thornburgh	
3,591,945 A	7/1971	Eisel	
4,162,660 A	7/1979	Albertson et al.	
4,387,671 A	6/1983	Jarvis	
4,509,613 A	4/1985	Yamaguchi	
4,779,456 A	10/1988	Cantoni	
4,790,864 A	12/1988	Kostun	
4,871,381 A	10/1989	Smith	
5,059,221 A	10/1991	McWilliam	
5,134,977 A	8/1992	Bagger et al.	
5,164,550 A	11/1992	Beidl et al.	
D374,278 S	* 10/1996	Ganor D23/364
5,605,554 A	2/1997	Kennedy	
5,609,658 A	3/1997	Takemura et al.	
D393,704 S	4/1998	Chiu et al.	
D395,703 S	6/1998	Jane et al.	
5,813,384 A	9/1998	Lavender et al.	
5,865,863 A	2/1999	DeSousa et al.	

D417,911 S	12/1999	Jane et al.	
5,996,734 A	12/1999	Lam et al.	
D450,111 S	11/2001	Stanley et al.	
6,355,095 B1	* 3/2002	Kuo-Long 96/26
6,478,018 B2	11/2002	Fedorowicz et al.	
6,740,149 B2	5/2004	Sudoh	
6,881,237 B2	* 4/2005	Storz et al. 55/385.3
6,997,967 B2	* 2/2006	Storz 55/385.3
D522,115 S	* 5/2006	Chen D23/364
2004/0025827 A1	2/2004	Davis	

OTHER PUBLICATIONS

Briggs & Stratton Illustrated Parts List Model Series 10D900, pp. 5, 9, and 10, Mar. 30, 2005.
Briggs & Stratton Illustrated Parts List Model Series 050000, pp. 6, 12, and 13, Apr. 22, 2005.

(Continued)

Primary Examiner—Robin Webster

(74) *Attorney, Agent, or Firm*—Michael Best & Friedrich LLP

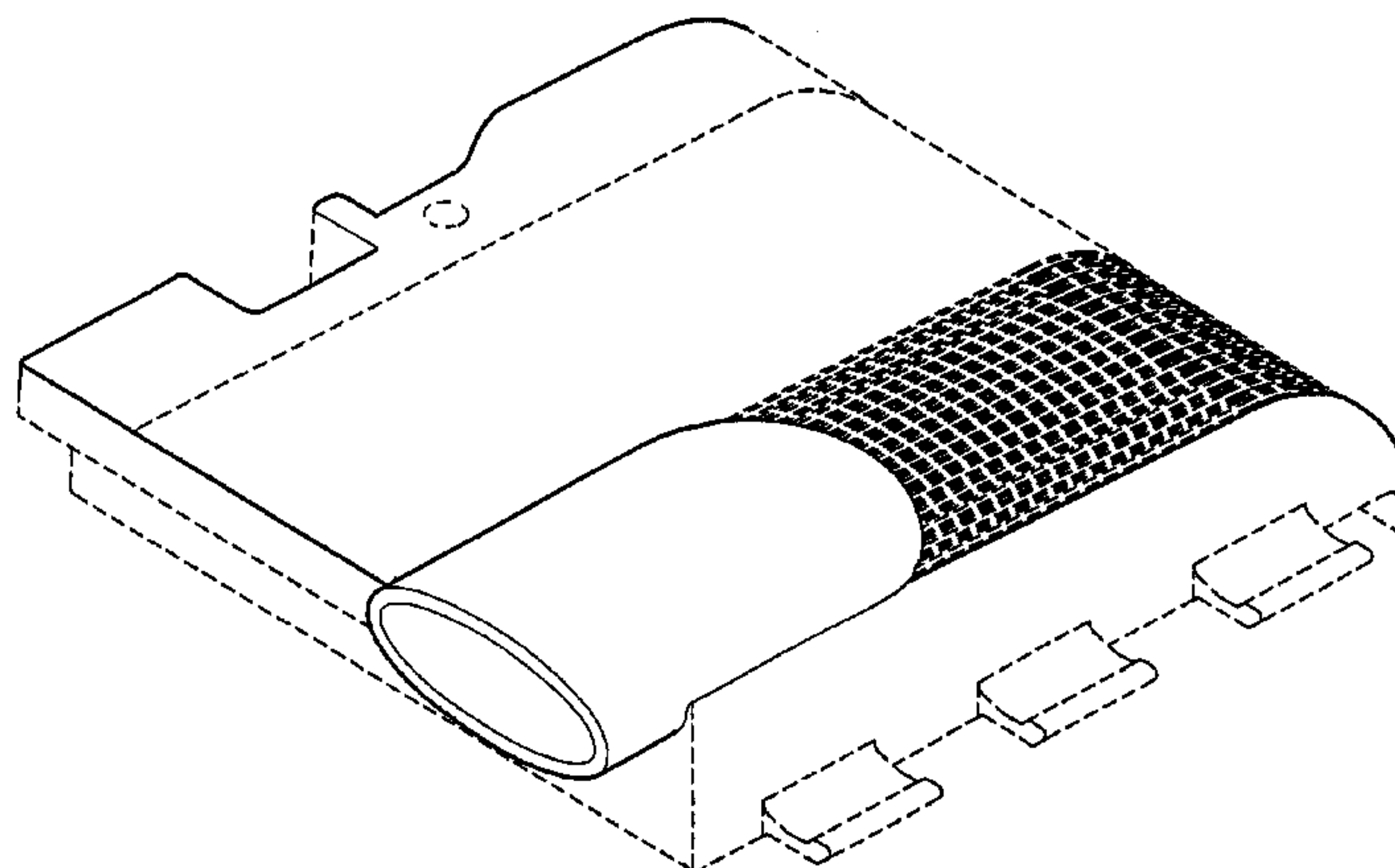
(57) **CLAIM**

The ornamental design for an air cleaner cover, as shown and described.

DESCRIPTION

FIG. 1 is a front perspective view of an air cleaner cover of the present invention.
FIG. 2 is a front view of the air cleaner cover of FIG. 1.
FIG. 3 is a rear view of the air cleaner cover of FIG. 1.
FIG. 4 is a top view of the air cleaner cover of FIG. 1.
FIG. 5 is a bottom view of the air cleaner cover of FIG. 1.
FIG. 6 is a left side view of the air cleaner cover of FIG. 1; and,
FIG. 7 is a right side view of the air cleaner cover of FIG. 1.
The broken line showing of the environment is for illustrative purposes only and forms no part of the claimed design. The broken lines which define portions of the air cleaner cover of the claimed design form no part thereof.

1 Claim, 5 Drawing Sheets



OTHER PUBLICATIONS

Briggs & Stratton Illustrated Parts List Model Series 129700, pp. 4, 13, and 14, Dec. 14, 2005.

Figs. 1–3 illustrate an air cleaner from a Honda Model EU1000i generator commercially available at least as early as 2001.

Figs. 4–6 illustrate an air cleaner from a Honda Model EU2000i generator commercially available at least as early as 2001.

Figs. 7–9 illustrate an air cleaner from a Yanmar Model GA180 engine commercially available at least as early as 2005.

Figs. 10–11 illustrate an air cleaner from a Tecumseh engine commercially available at least as early as 1979.

Figs. 12–13 illustrate an air cleaner from a Mitsubishi Heavy Industries Model No. 245432 engine commercially available at least as early as May 18, 2005.

Figs. 14–15 illustrate an air cleaner cover from a Briggs & Stratton Model 13 engine commercially available at least as early as Aug. 14, 1992.

Figs. 16–17 illustrate an air cleaner cover from a Briggs & Stratton Model 9U and Model 11U engine commercially available at least as early as Nov. 1, 1983.

* cited by examiner

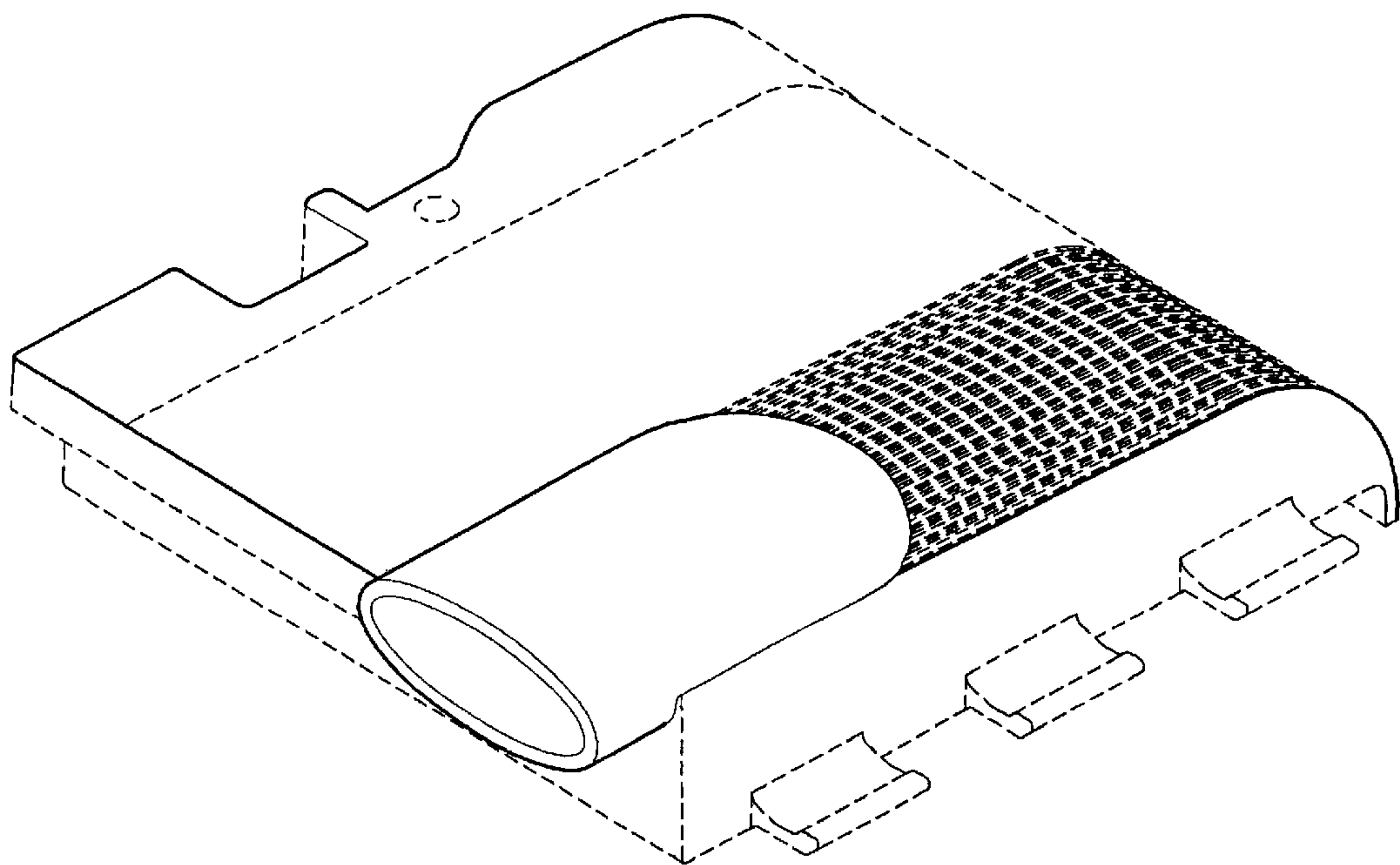


FIG. 1

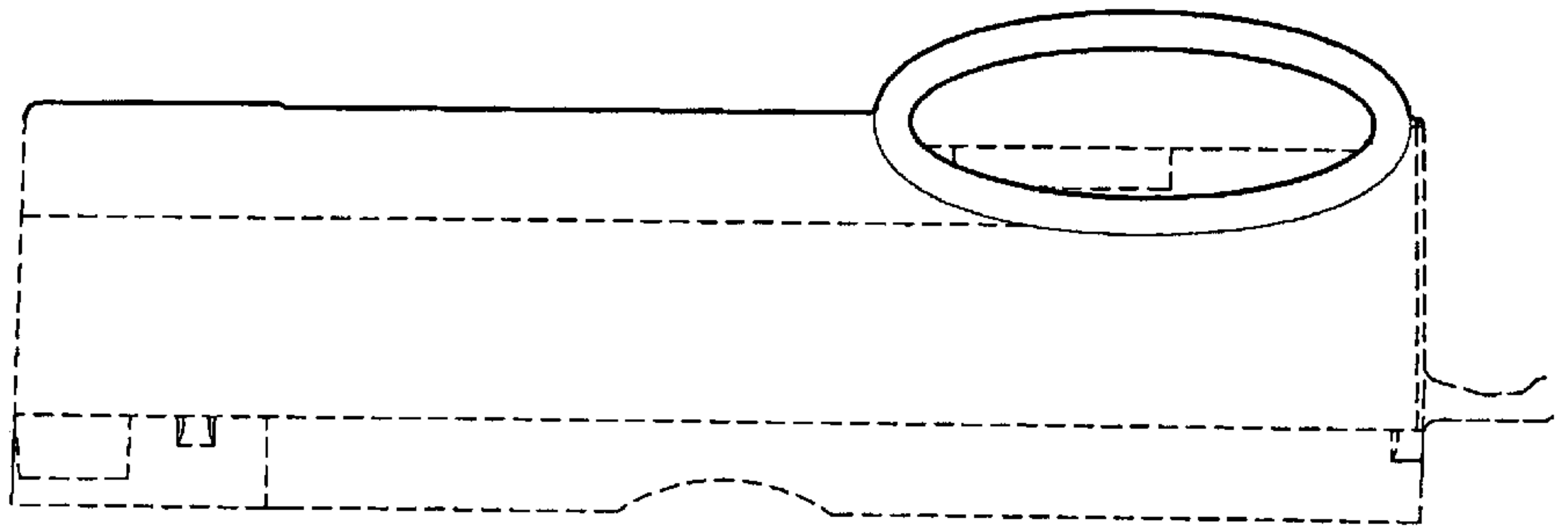


FIG. 2

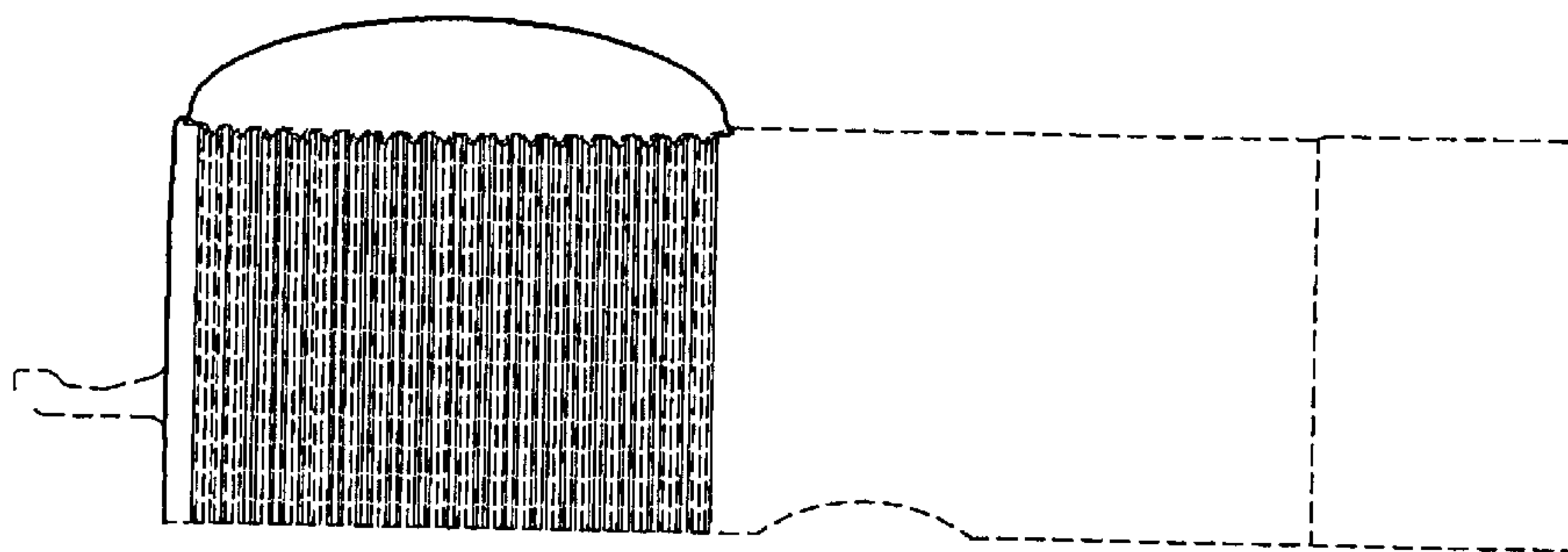


FIG. 3

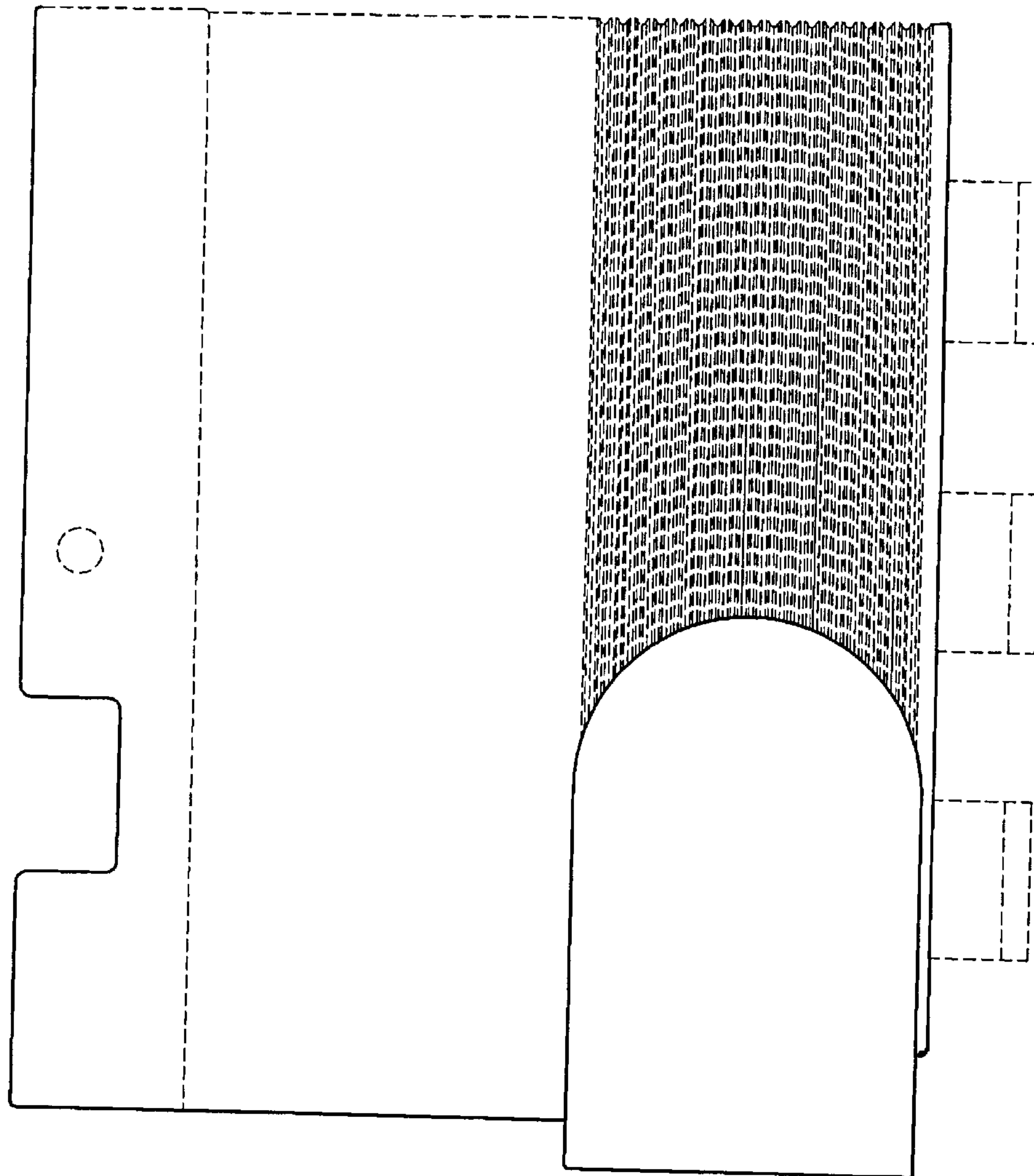


FIG. 4

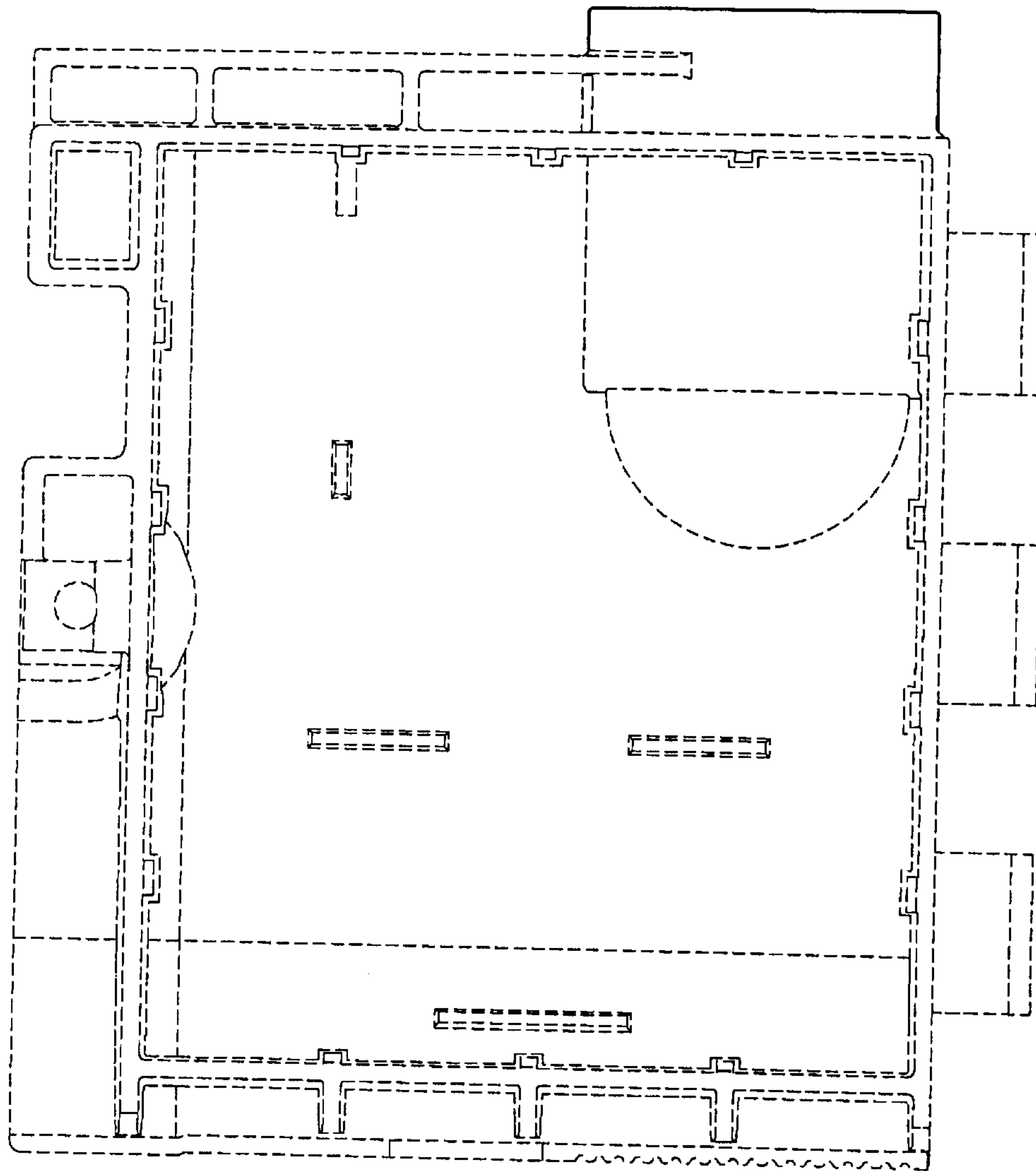


FIG. 5

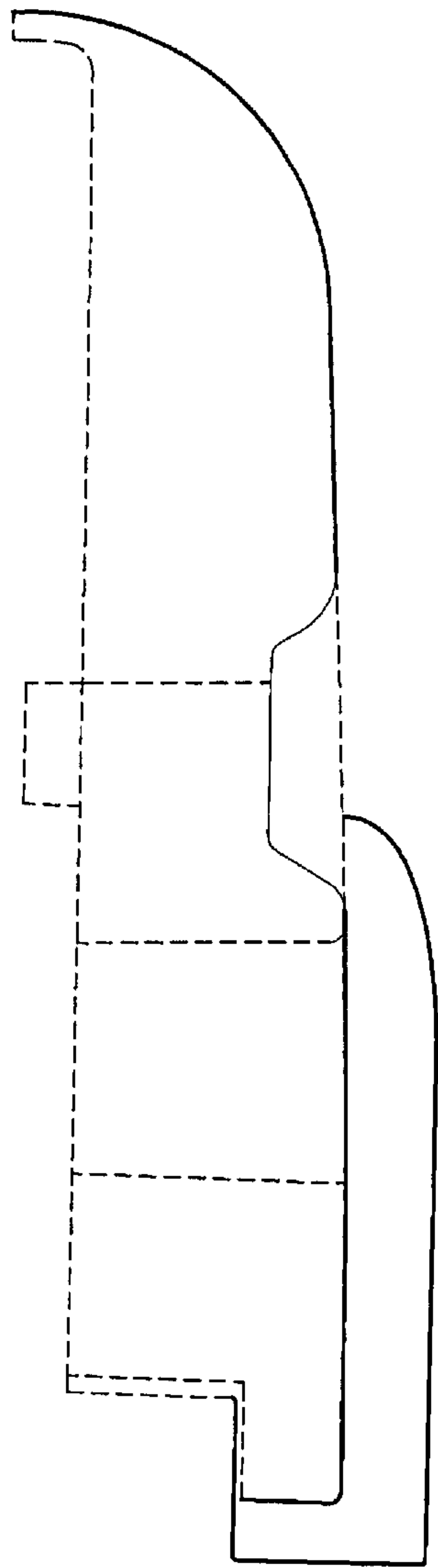


FIG. 6

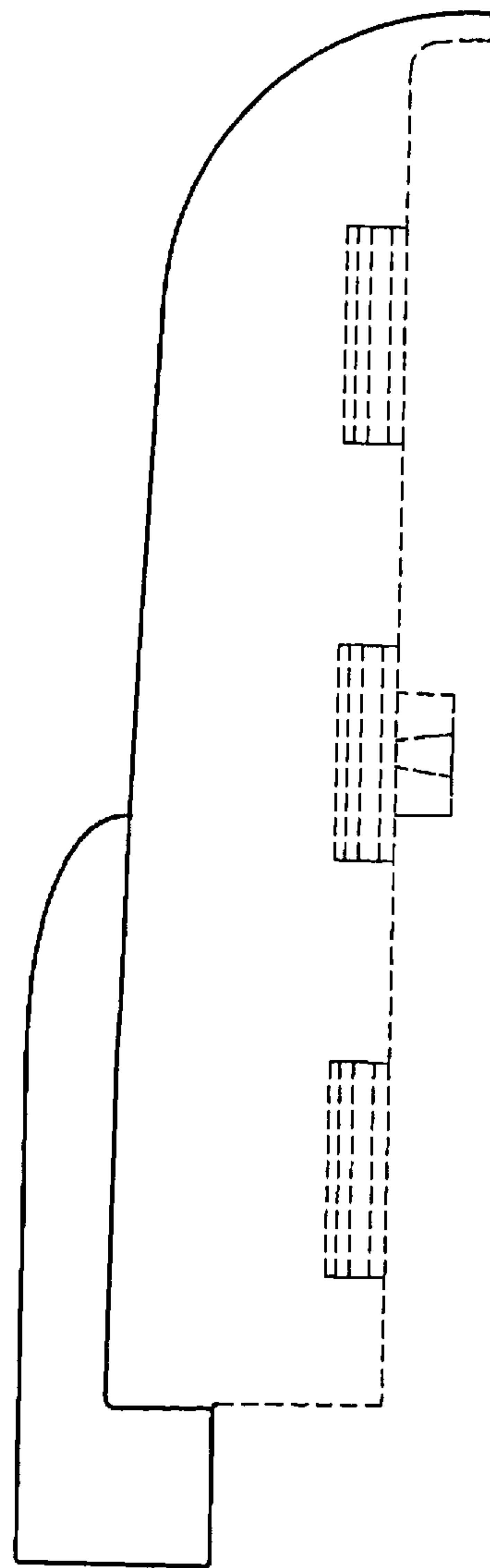


FIG. 7