

US00D540927S

(12) **United States Design Patent**
Plifka

(10) **Patent No.:** **US D540,927 S**

(45) **Date of Patent:** **** Apr. 17, 2007**

(54) **TOILET SEAT MOUNTED VENTILATOR INTAKE**

(76) Inventor: **John Plifka**, 1125 Parkview La., Eagan, MN (US) 55122

(**) Term: **14 Years**

(21) Appl. No.: **29/262,924**

(22) Filed: **Jul. 13, 2006**

(51) **LOC (8) Cl.** **23-02**

(52) **U.S. Cl.** **D23/309**

(58) **Field of Classification Search** D23/303,
D23/309, 371, 366-369; 4/347, 477, 352,
4/482, 216, 661, 213, 447

See application file for complete search history.

(56) **References Cited**

U.S. PATENT DOCUMENTS

1,147,120	A	*	7/1915	Richards	4/217
5,355,537	A	*	10/1994	Redford	4/217
D377,680	S	*	1/1997	Kimber et al.	D23/309
5,806,104	A	*	9/1998	Hand	4/213

6,523,184	B2	*	2/2003	Prisco	4/217
6,678,900	B2	*	1/2004	Ware	4/347
D509,293	S	*	9/2005	Rivera	D23/368
6,948,192	B2	*	9/2005	Hipponsteel	4/213

* cited by examiner

Primary Examiner—Robert A. Delehanty

(74) *Attorney, Agent, or Firm*—Thomas J. Nikolai; Nikolai & Mersereau, P.A.

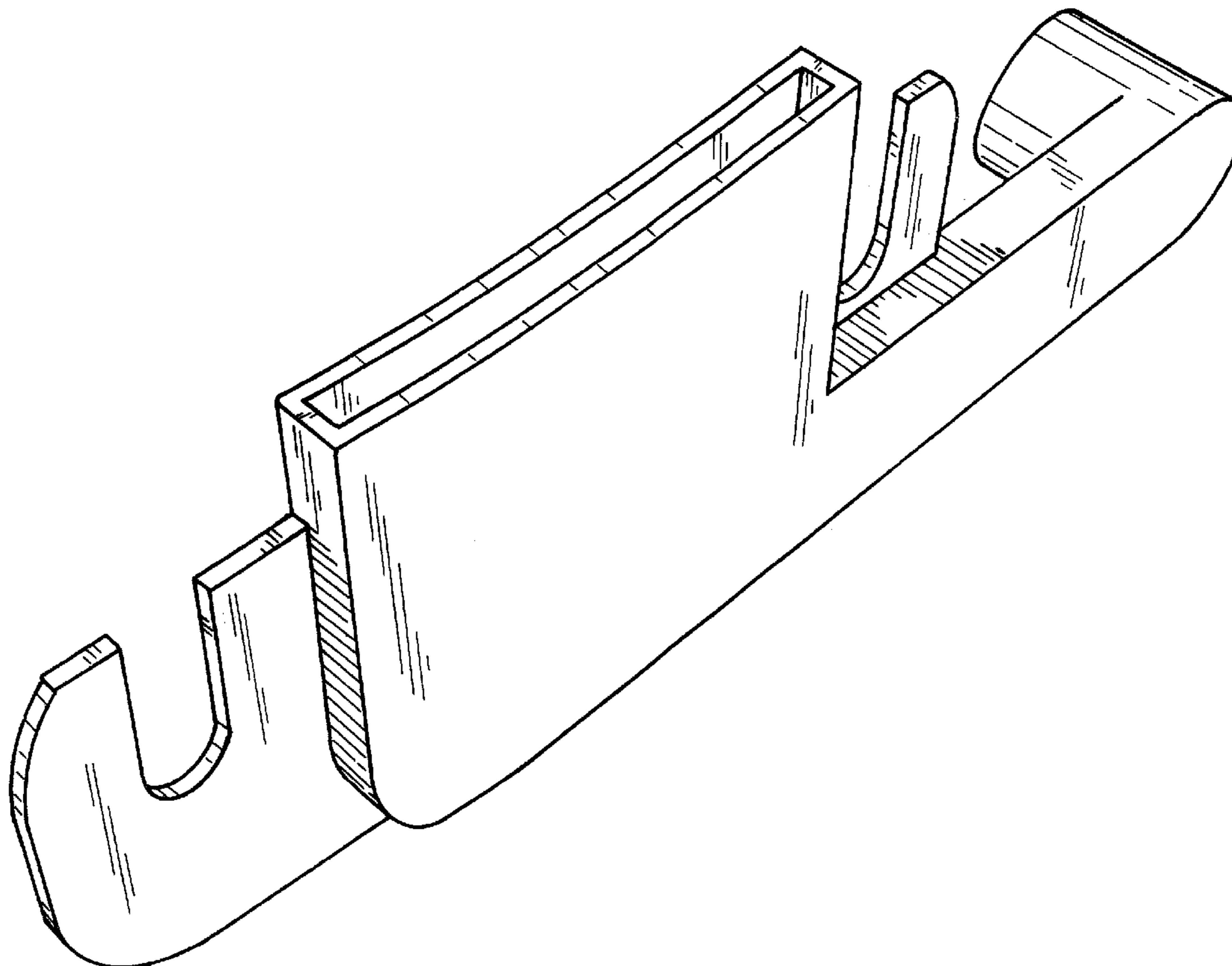
(57) **CLAIM**

The ornamental design for the “toilet seat mounted ventilator intake,” as shown and described.

DESCRIPTION

FIG. 1 is a bottom view of a toilet seat mounted ventilator intake showing my new design; FIG. 2 is a top plan view thereof; FIG. 3 is a rear view thereof; FIG. 4 is a front view thereof; FIG. 5 is a right end view thereof; FIG. 6 is a left end view thereof; and, FIG. 7 is a perspective view thereof.

1 Claim, 5 Drawing Sheets



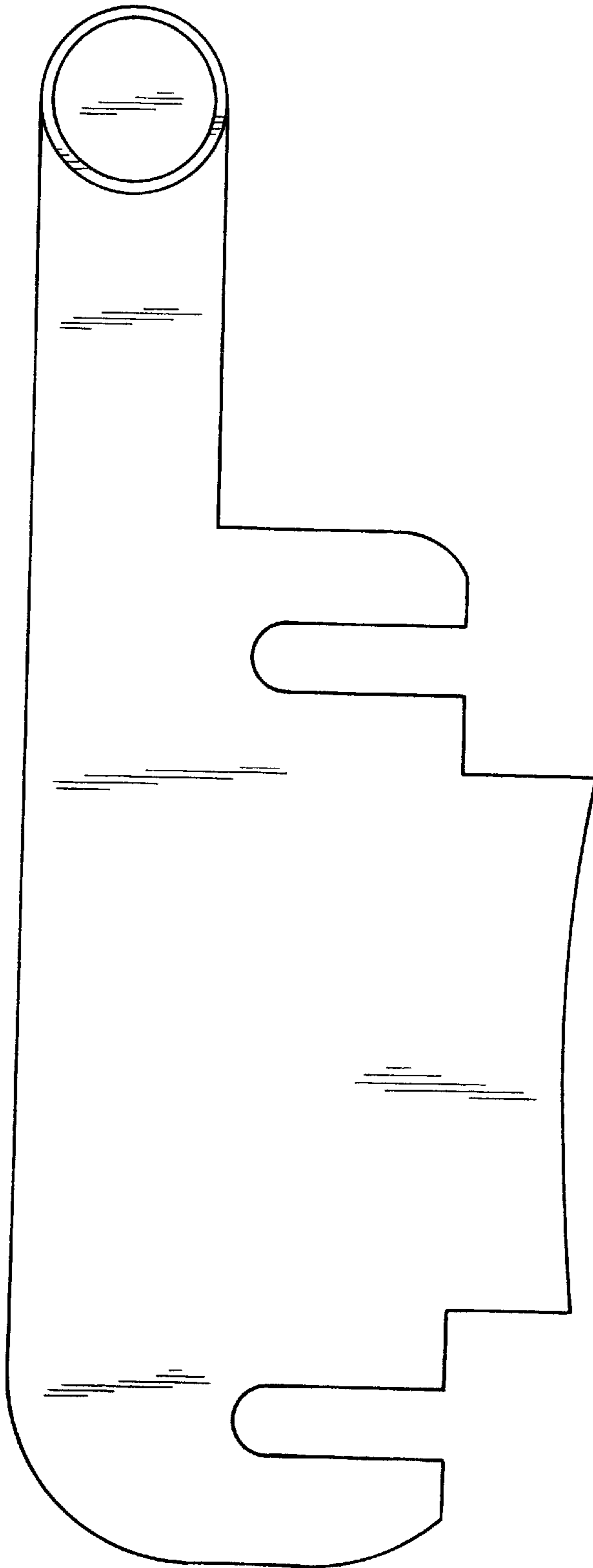


FIG. 1

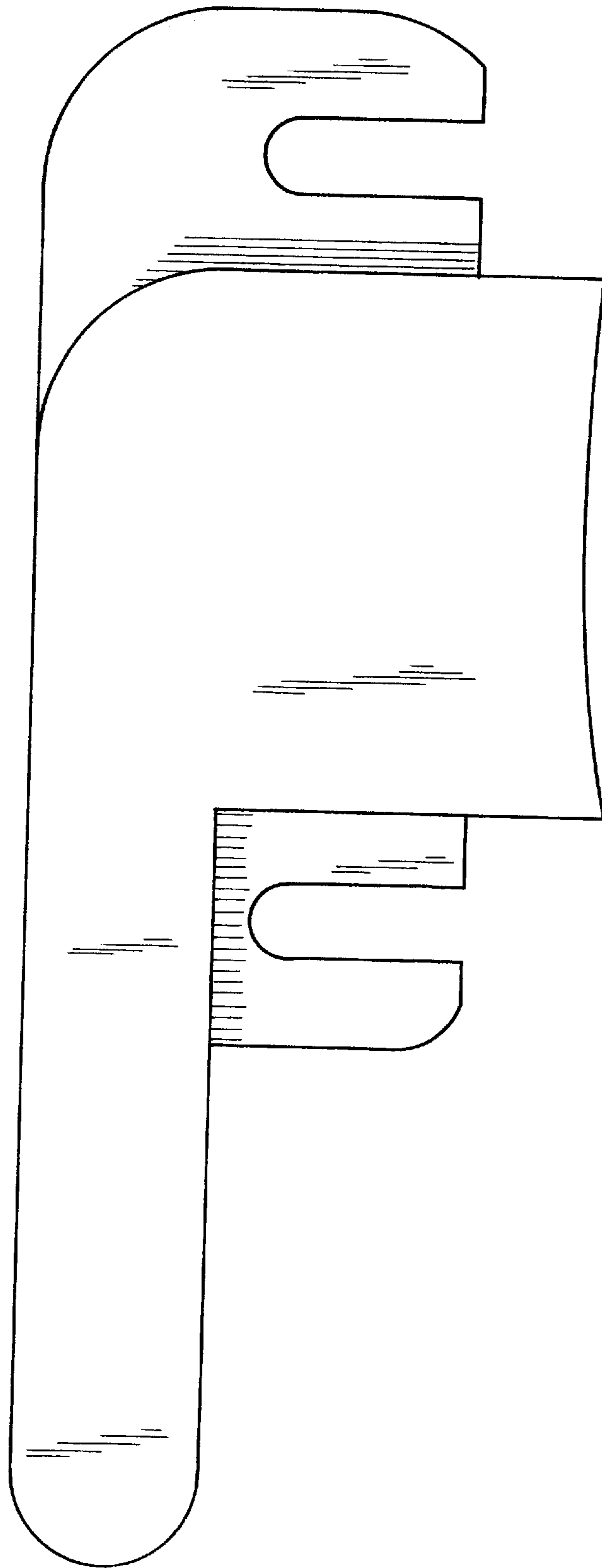


FIG. 2

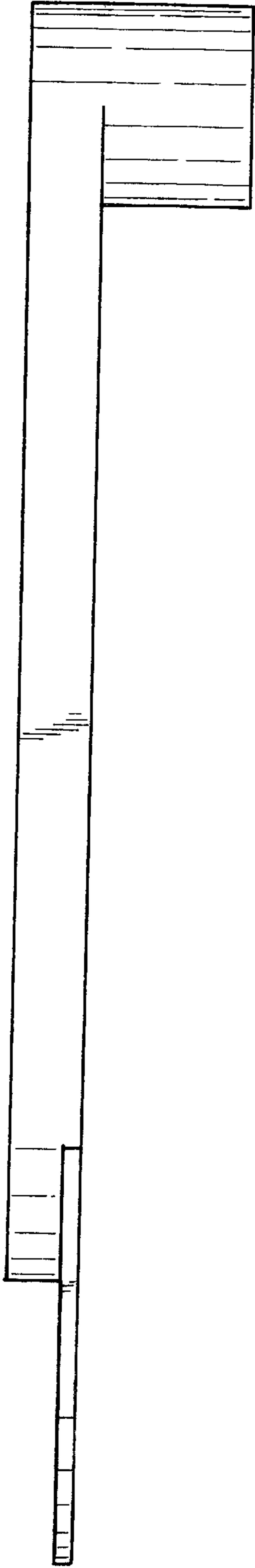


FIG. 3

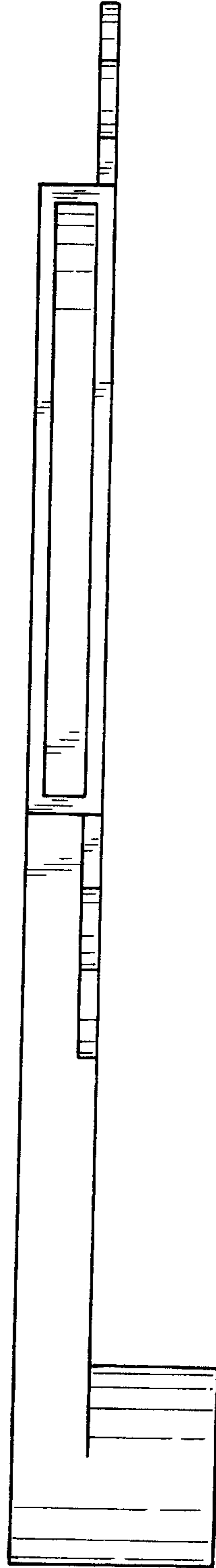


FIG. 4

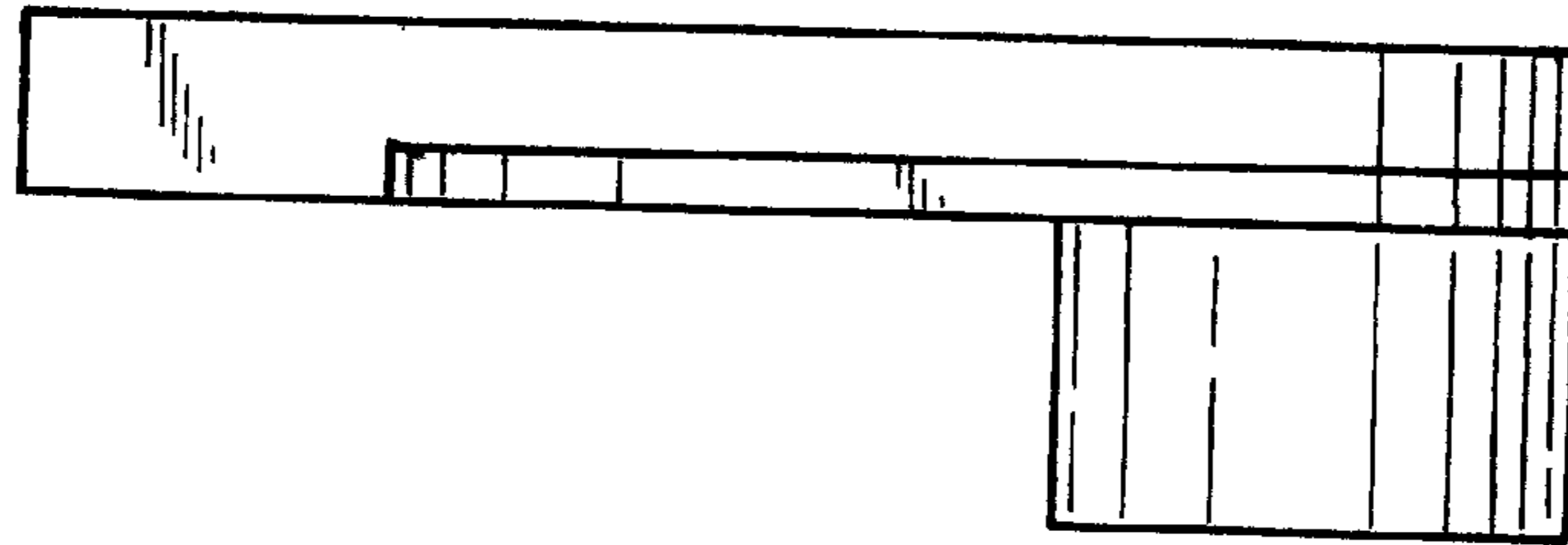


FIG. 5

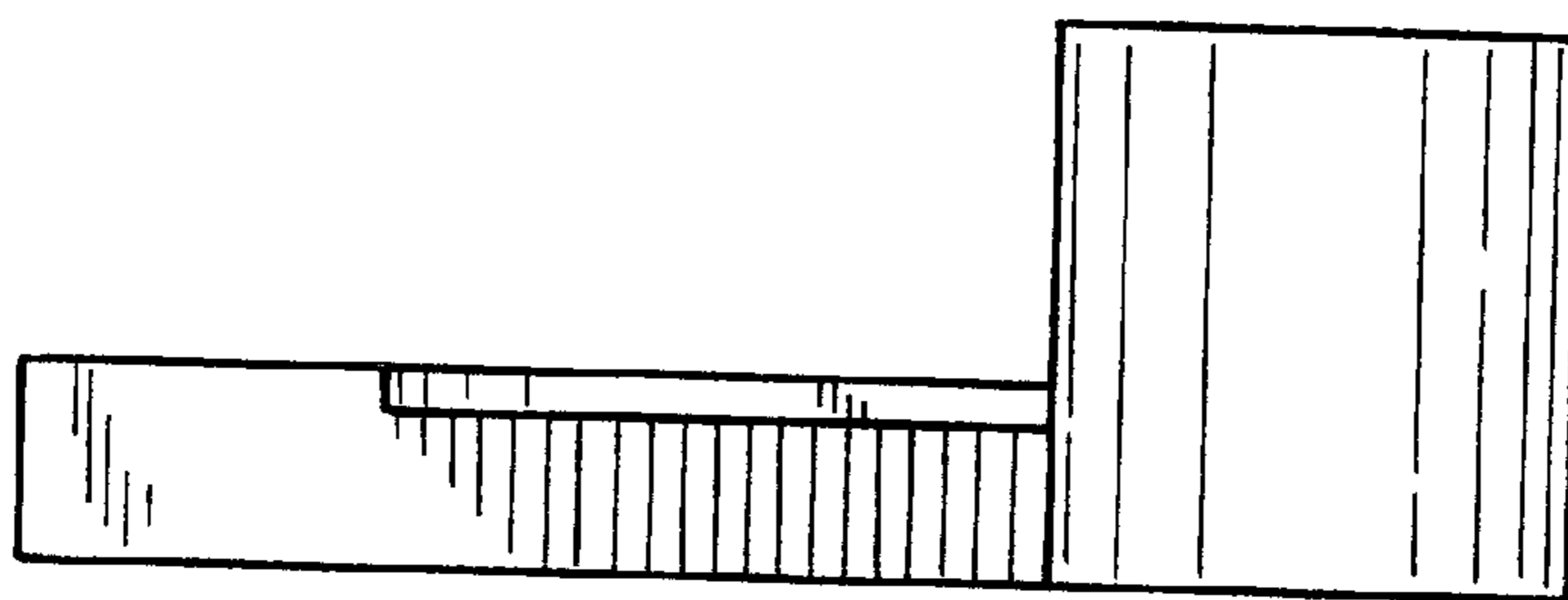


FIG. 6

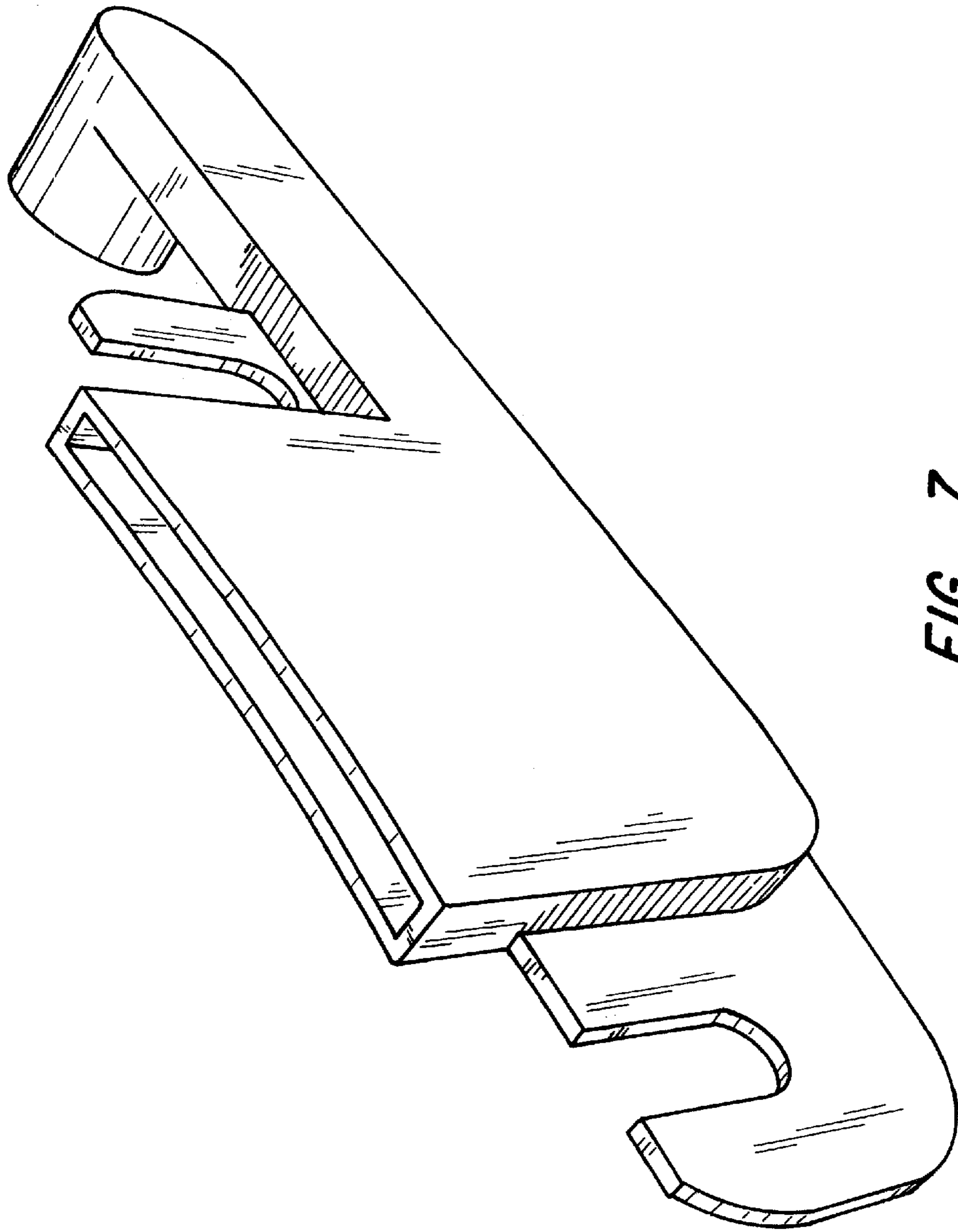


FIG. 7