

US00D540926S

(12) **United States Design Patent**
Flores

(10) **Patent No.:** **US D540,926 S**

(45) **Date of Patent:** **** Apr. 17, 2007**

(54) **SHOWER RECEPTOR**

D480,455 S * 10/2003 Painter et al. D23/283
6,990,695 B2 * 1/2006 Grayson 4/613

(76) Inventor: **Ronald R. Flores**, 18056 Road 400,
Madera, CA (US) 93638

* cited by examiner

(**) Term: **14 Years**

Primary Examiner—Robert A. Delehanty
(74) *Attorney, Agent, or Firm*—Philip L. Bateman

(21) Appl. No.: **29/264,890**

(57) **CLAIM**

(22) Filed: **Aug. 21, 2006**

The ornamental design for a shower receptor, as shown and described.

(51) **LOC (8) Cl.** **23-02**

(52) **U.S. Cl.** **D23/304**

(58) **Field of Classification Search** D23/283,
D23/303-304; 4/552, 596-604, 612-614,
4/900, DIG. 15

See application file for complete search history.

DESCRIPTION

FIG. 1 is a front and right side perspective view of a shower receptor showing my new design;
FIG. 2 is a rear and left side perspective view thereof;
FIG. 3 is a top plan view thereof;
FIG. 4 is a front elevation view thereof;
FIG. 5 is a right side elevation view thereof;
FIG. 6 is a rear elevation view thereof; and,
FIG. 7 is a sectional view thereof taken along line 7—7 of FIG. 6.

(56) **References Cited**

U.S. PATENT DOCUMENTS

D230,979 S * 3/1974 Seymour D23/283
4,316,295 A * 2/1982 Whitney et al. 4/612
D354,117 S * 1/1995 Nations D23/283

1 Claim, 2 Drawing Sheets

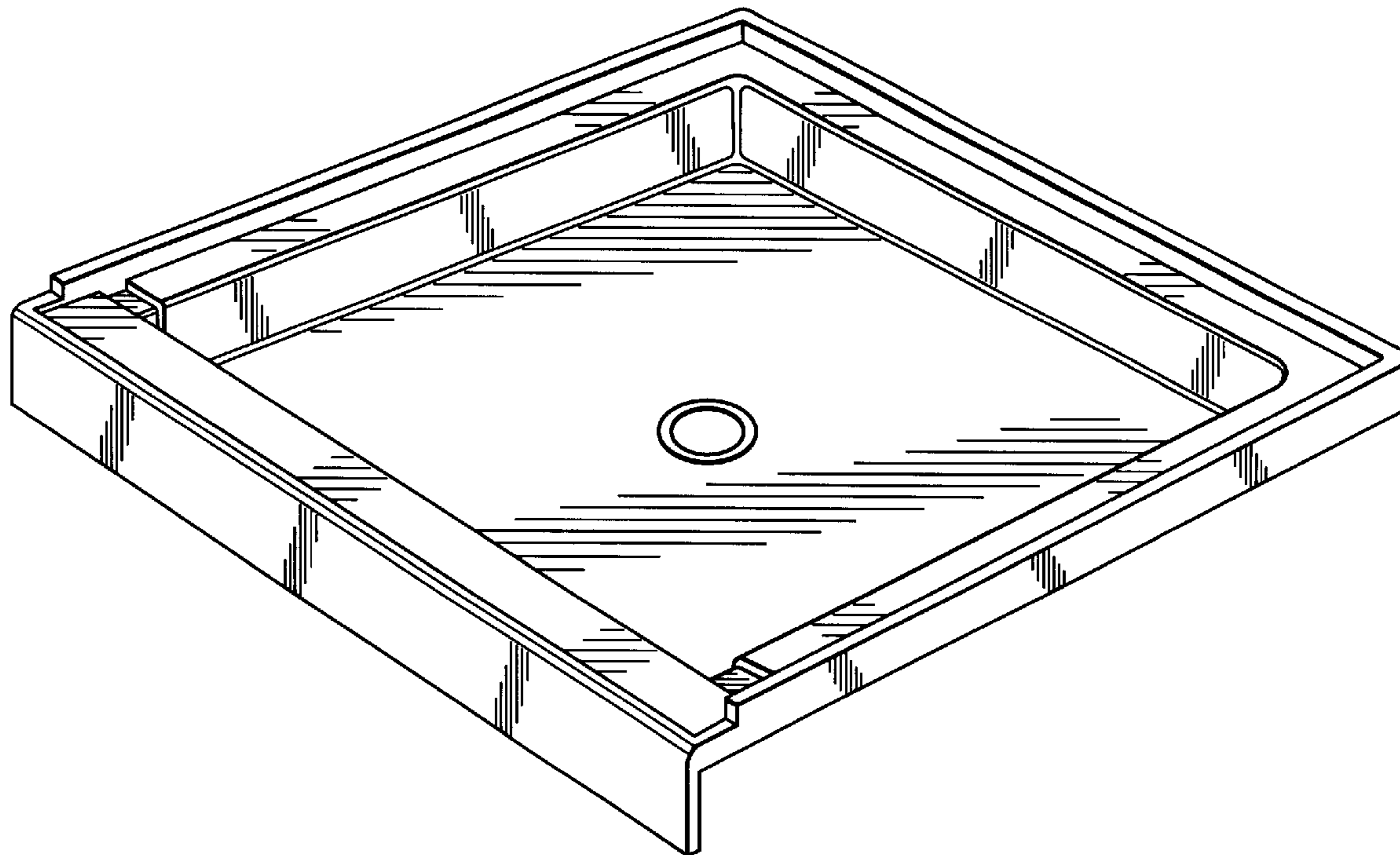


Fig. 1

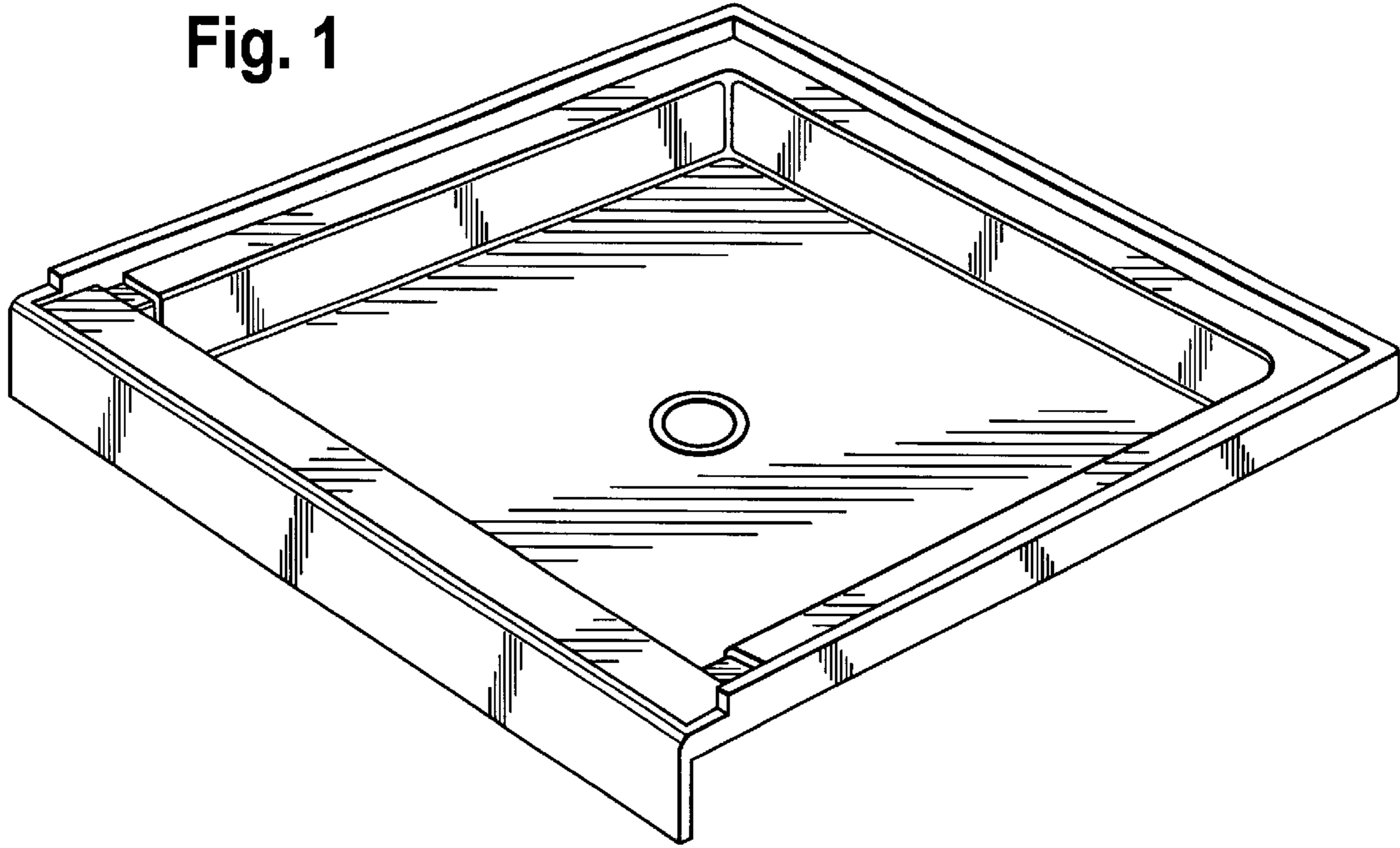


Fig. 2

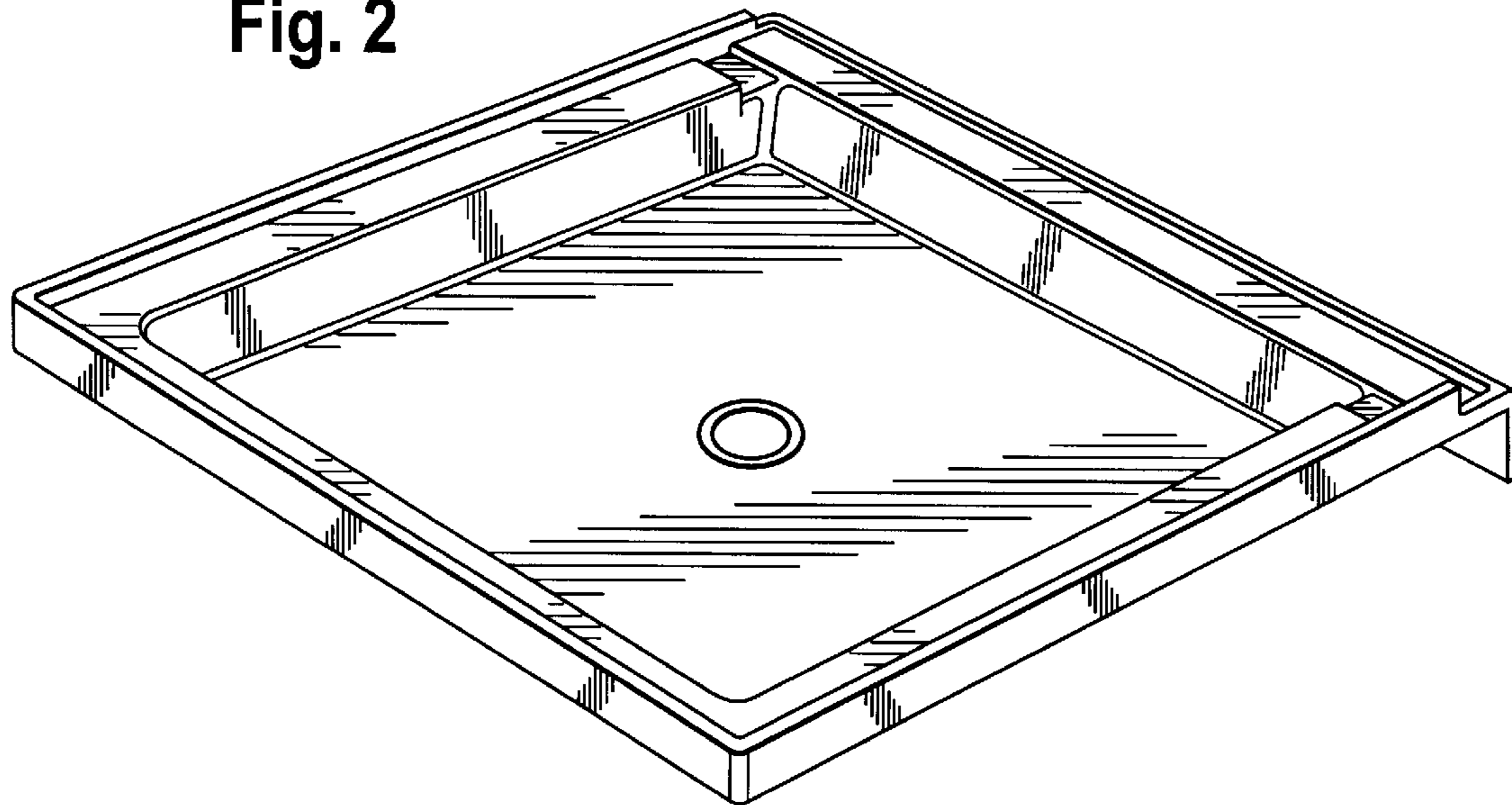


Fig. 3

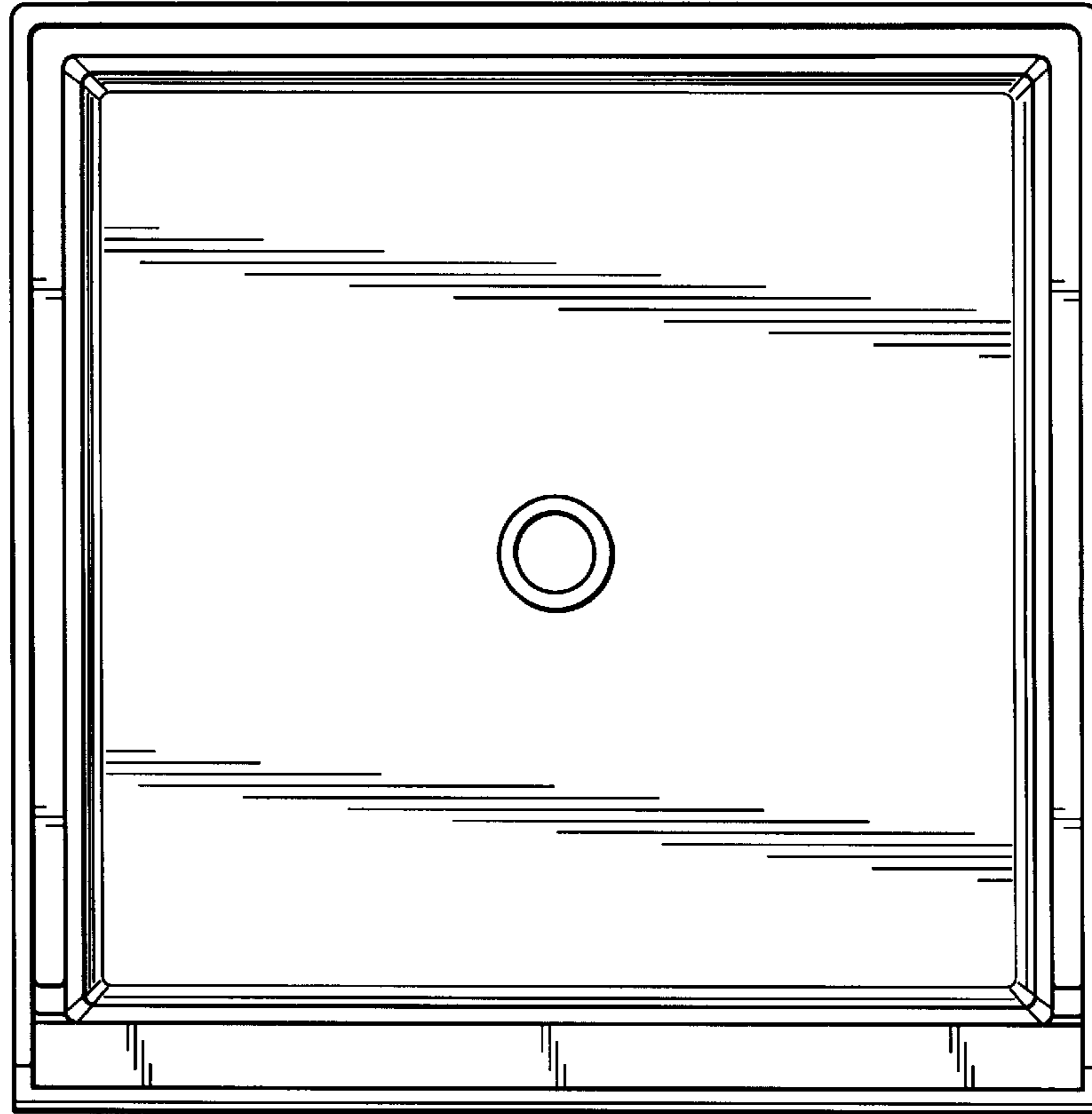


Fig. 4

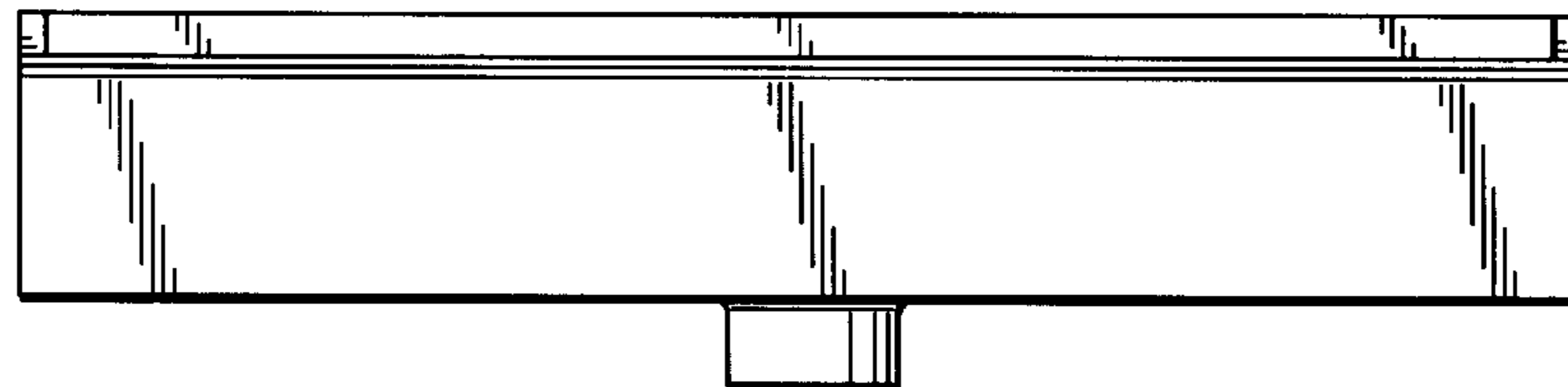


Fig. 5

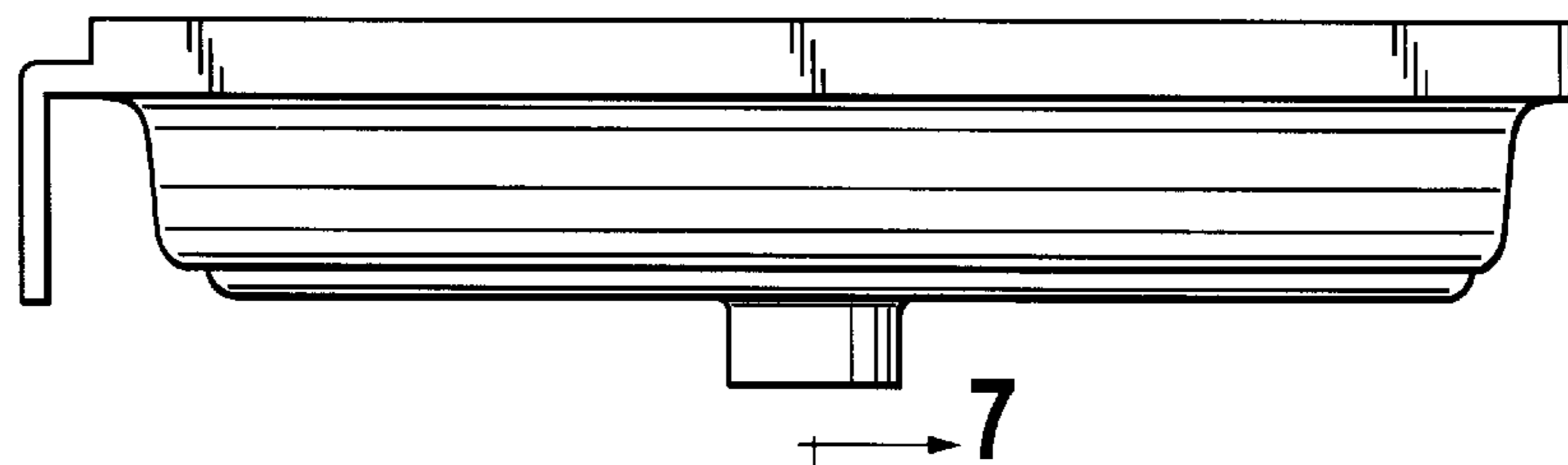


Fig. 6

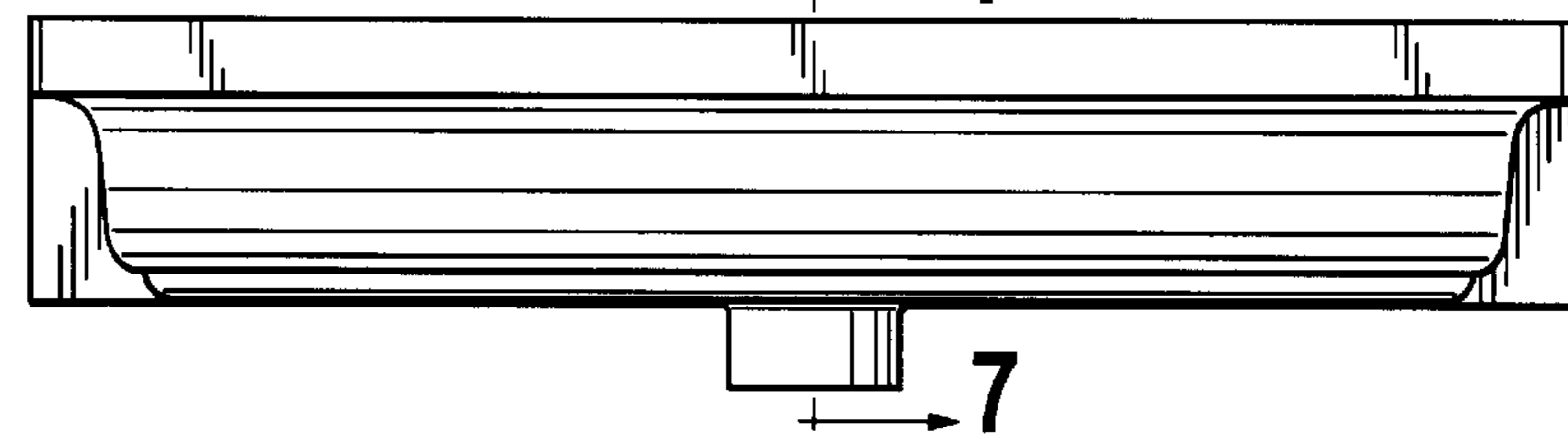


Fig. 7

