

US00D540925S

(12) **United States Design Patent**  
**Garner**

(10) **Patent No.:** **US D540,925 S**

(45) **Date of Patent:** **\*\* Apr. 17, 2007**

(54) **SHOWER UNIT**

D519,621 S \* 4/2006 Riva ..... D23/304

(75) Inventor: **Pierre Garner**, Paris (FR)

\* cited by examiner

(73) Assignee: **Toto Ltd.**, Kitakyushu (JP)

*Primary Examiner*—Robert A. Delehanty

(\*\*) Term: **14 Years**

(74) *Attorney, Agent, or Firm*—Birch, Stewart, Kolasch & Birch, LLP

(21) Appl. No.: **29/254,317**

(57) **CLAIM**

(22) Filed: **Feb. 23, 2006**

The ornamental design for a shower unit, as shown and described.

(30) **Foreign Application Priority Data**

Aug. 26, 2005 (JP) ..... 2005-024620

**DESCRIPTION**

(51) **LOC (8) Cl.** ..... **23-02**

FIG. 1 is a perspective view of the front and right side of a shower unit showing my new design;

(52) **U.S. Cl.** ..... **D23/304**

FIG. 2 is a front view thereof;

(58) **Field of Classification Search** ..... D23/223,

FIG. 3 is a right side view thereof;

D23/228–229, 279, 286, 303–304; 4/552,

FIG. 4 is a rear view thereof;

4/559, 567–569, 596–597, 601, 615, 900,

FIG. 5 is a left side view thereof;

4/DIG. 15

FIG. 6 is a top plan view thereof; and,

See application file for complete search history.

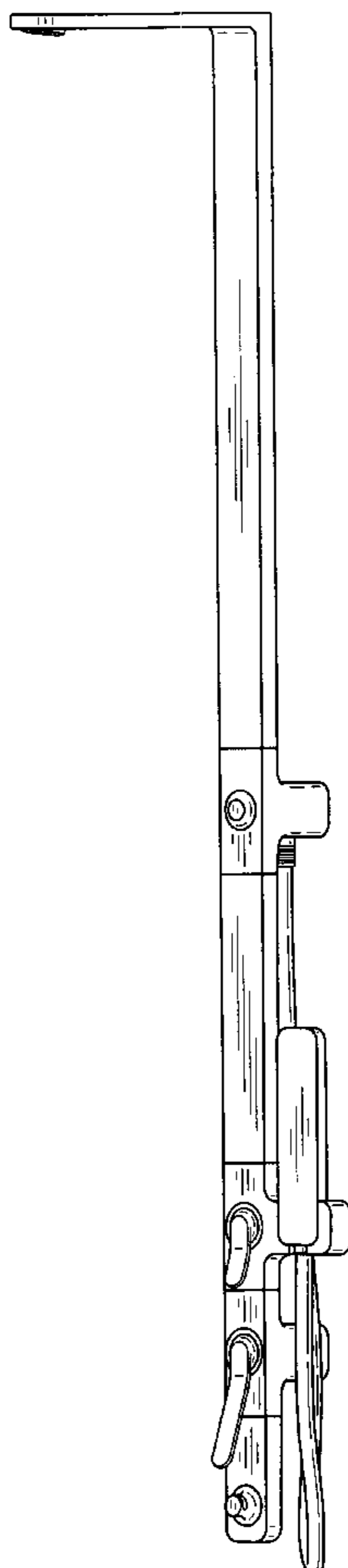
FIG. 7 is a bottom view thereof.

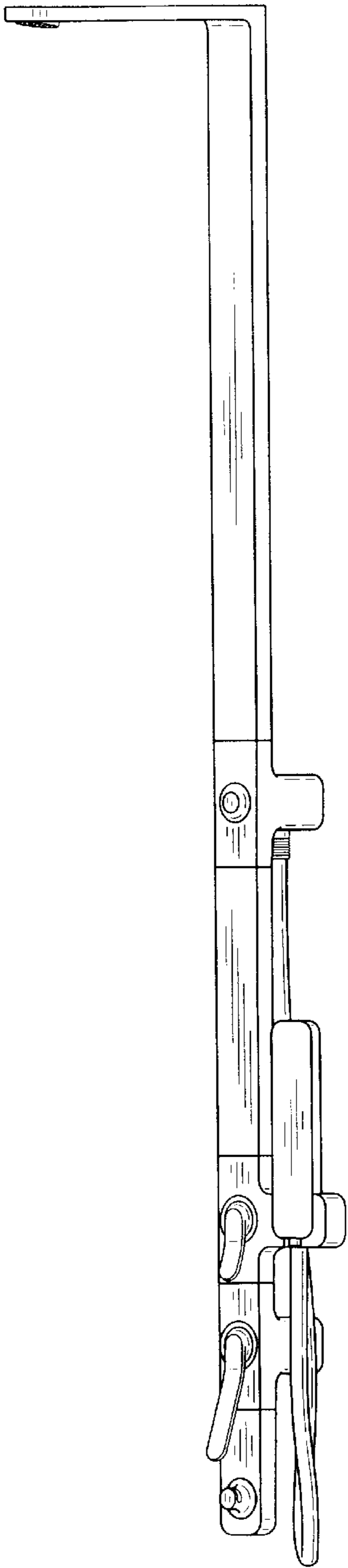
(56) **References Cited**

**U.S. PATENT DOCUMENTS**

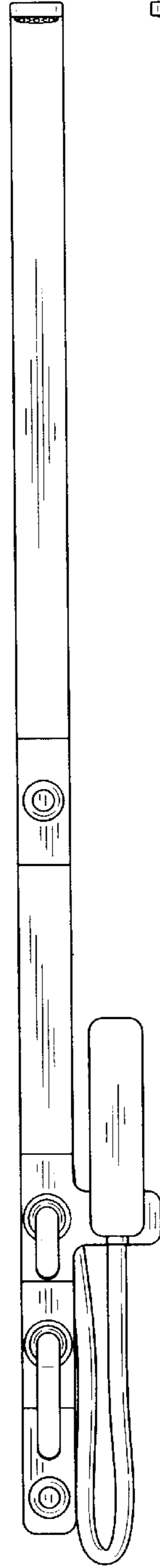
D495,778 S \* 9/2004 Jorgensen et al. .... D23/213

**1 Claim, 2 Drawing Sheets**

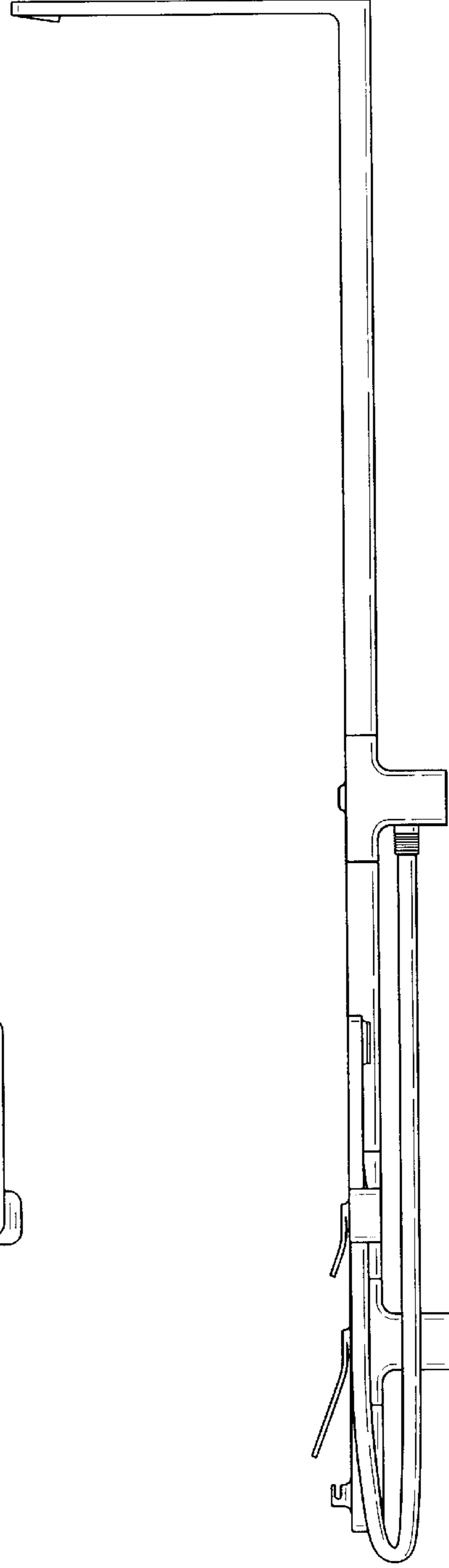




*FIG. 1*



*FIG. 2*



*FIG. 3*

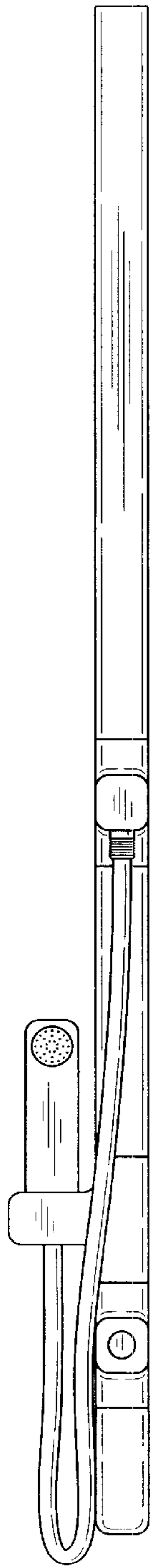


FIG. 4

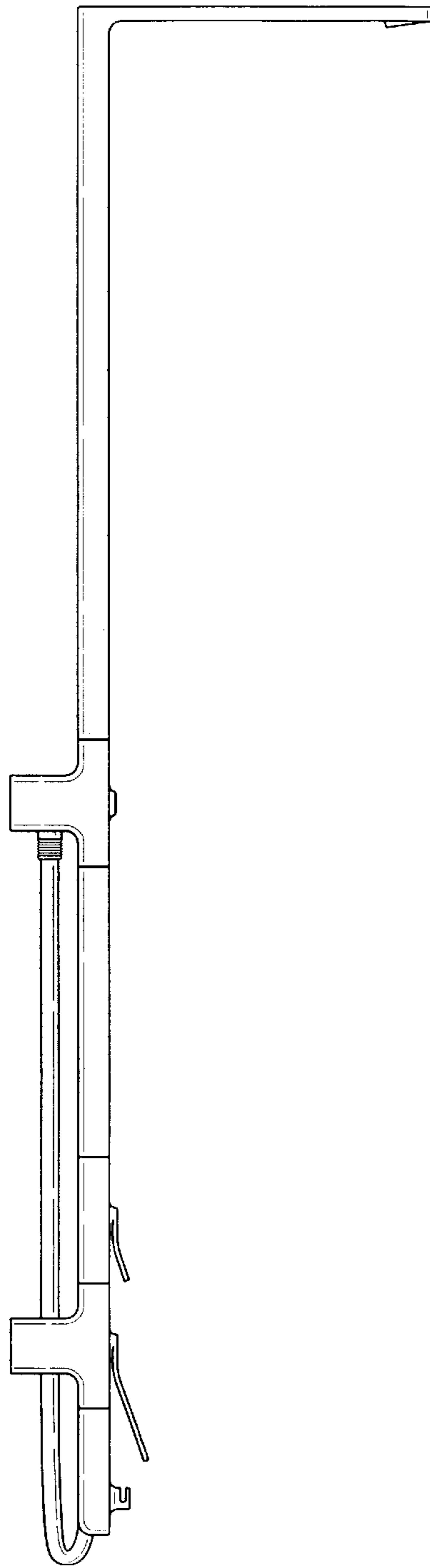


FIG. 5

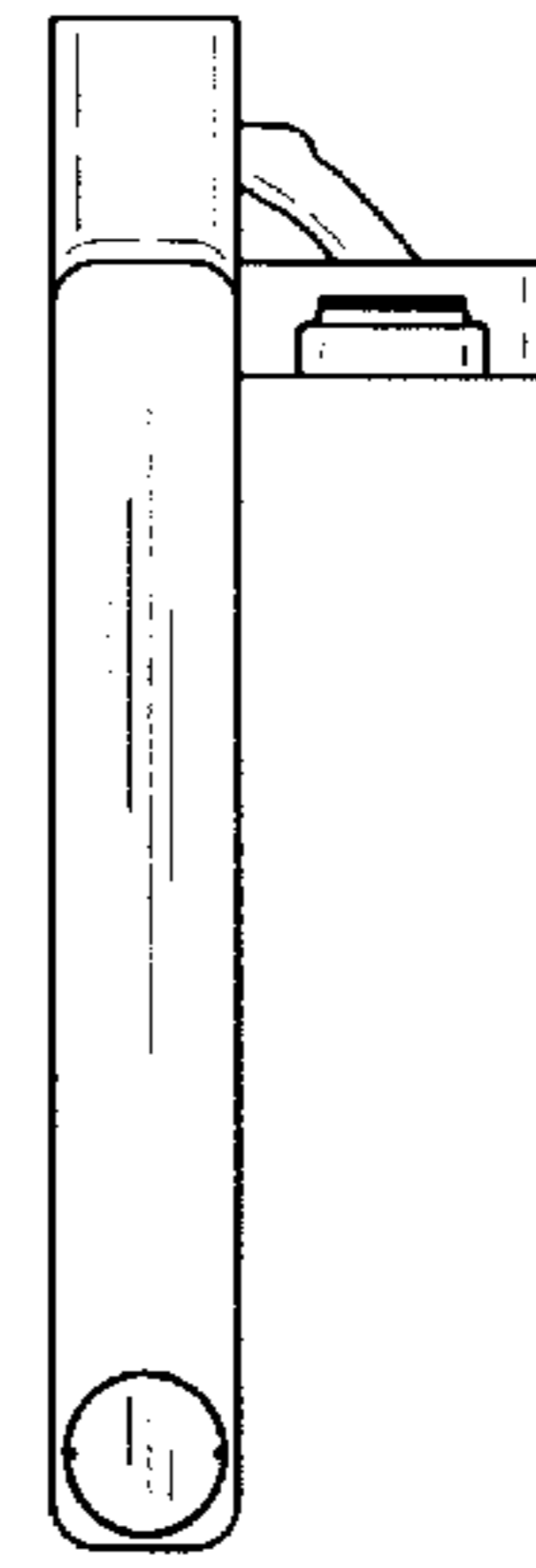


FIG. 6

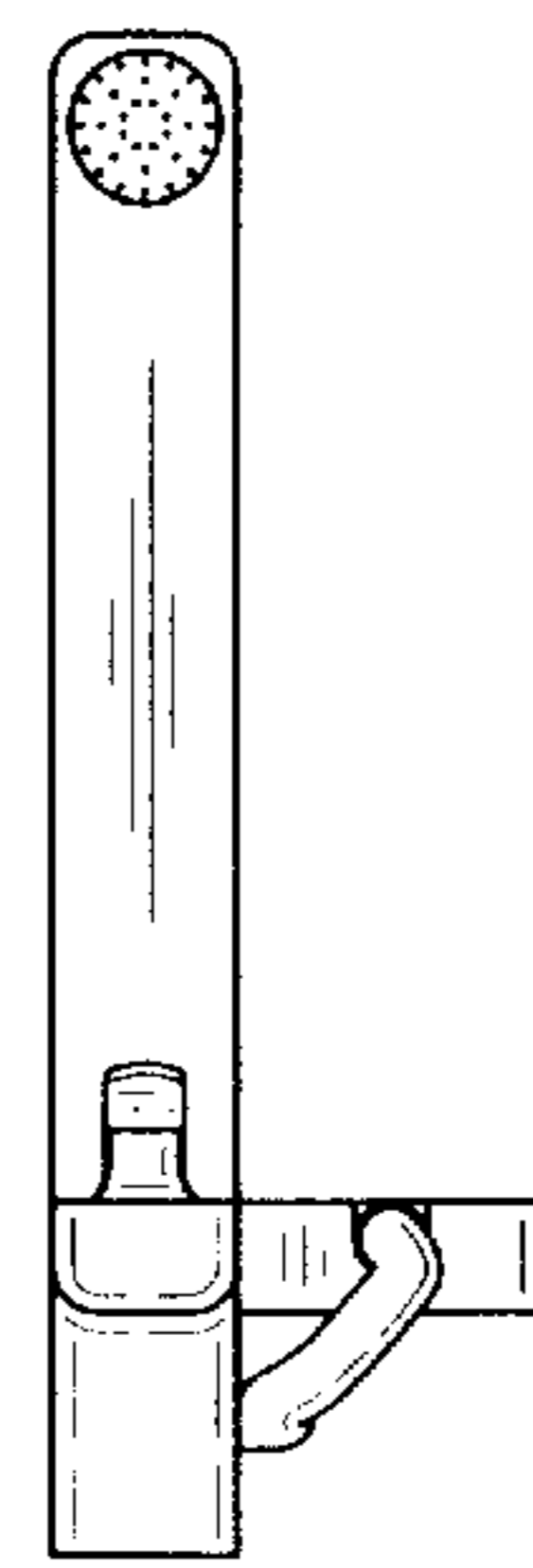


FIG. 7