



US00D540920S

(12) **United States Design Patent** (10) **Patent No.:** **US D540,920 S**
Scaramucci et al. (45) **Date of Patent:** **** Apr. 17, 2007**

(54) **VALVE GEAR OPERATOR**

(75) Inventors: **John P. Scaramucci**, Oklahoma City, OK (US); **William D. Filler**, Oklahoma City, OK (US)

(73) Assignee: **Valve Innovations, L.L.C.**, Carson City, NV (US)

(**) Term: **14 Years**

(21) Appl. No.: **29/252,916**

(22) Filed: **Jan. 30, 2006**

Related U.S. Application Data

(62) Division of application No. 29/214,737, filed on Oct. 7, 2004, now Pat. No. Des. 522,619.

(51) **LOC (8) Cl.** **23-01**

(52) **U.S. Cl.** **D23/249**

(58) **Field of Classification Search** D23/233-250; 477/111; 123/198 F, 90.11; 307/64, 68; D15/1-5, D15/199; 137/554, 556, 557, 560, 992, 884; 251/11-12, 128, 214, 129.04, 243, 331, 15, 251/58, 63.5, 30.01
See application file for complete search history.

(56) **References Cited**

U.S. PATENT DOCUMENTS

3,160,077 A * 12/1964 Ribeiro et al. 92/13.5

4,879,901 A * 11/1989 Leon 73/168
D400,967 S * 11/1998 Schreiner et al. D23/233
D479,576 S * 9/2003 Wright D23/233
2003/0079779 A1 * 5/2003 Baumann 137/270
2005/0199198 A1 * 9/2005 Morin et al. 123/90.11

* cited by examiner

Primary Examiner—Ian Simmons

Assistant Examiner—Maurice Stevens

(74) *Attorney, Agent, or Firm*—Dunlap Coddling & Rogers, P.C.

(57) **CLAIM**

The ornamental design for a valve gear operator, as shown and described.

DESCRIPTION

FIG. 1 is a perspective view of a valve gear operator showing our new design with a handle shown in broken lines and mounted to a valve also shown in broken lines.

FIG. 2 is a front elevational view thereof.

FIG. 3 is a rear elevational view thereof.

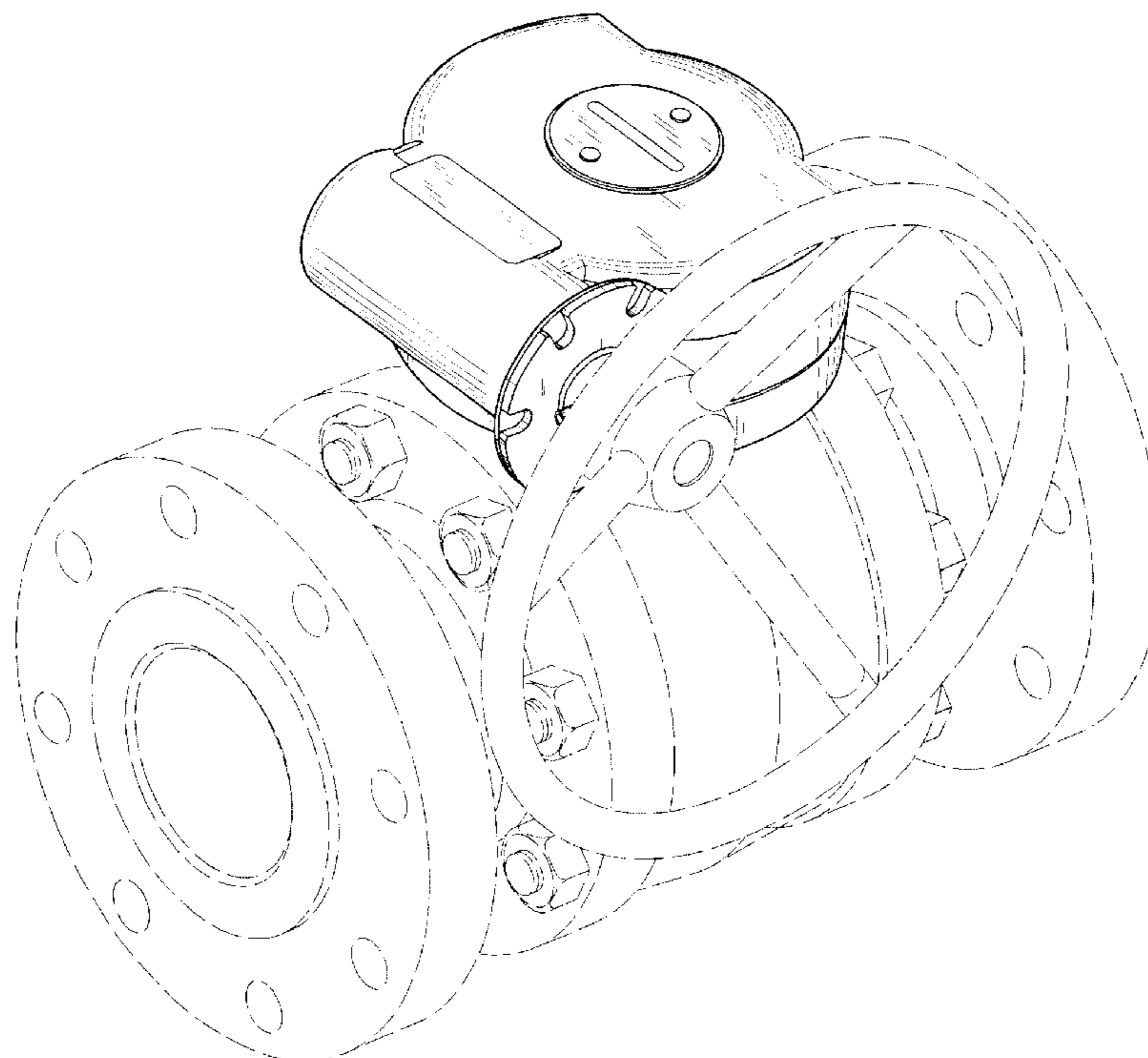
FIG. 4 is a side elevational view thereof.

FIG. 5 is a side elevational view a side opposite that shown in FIG. 4.

FIG. 6 is a top plan view thereof; and,

FIG. 7 is a bottom plan view thereof.

1 Claim, 4 Drawing Sheets



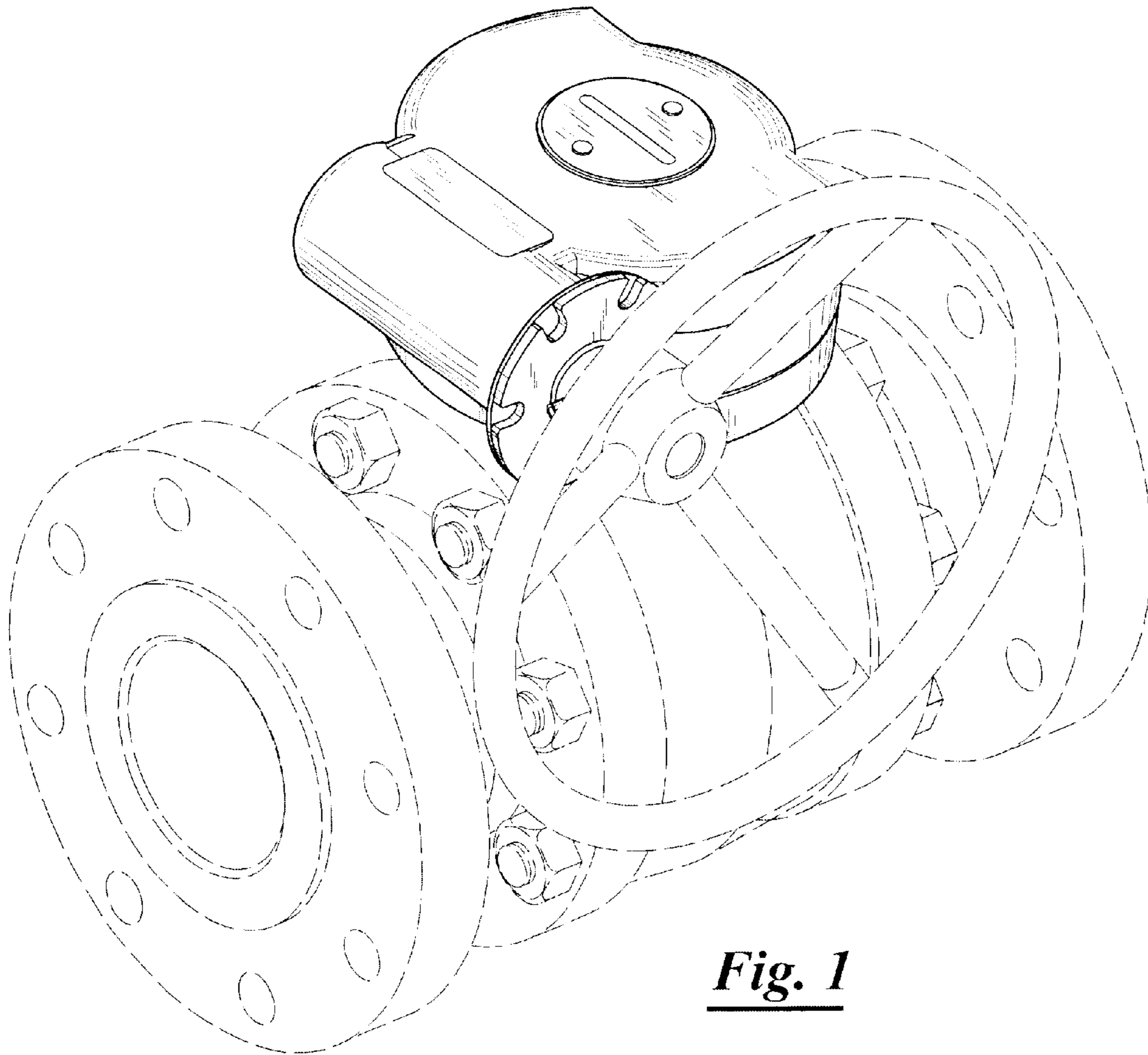


Fig. 1

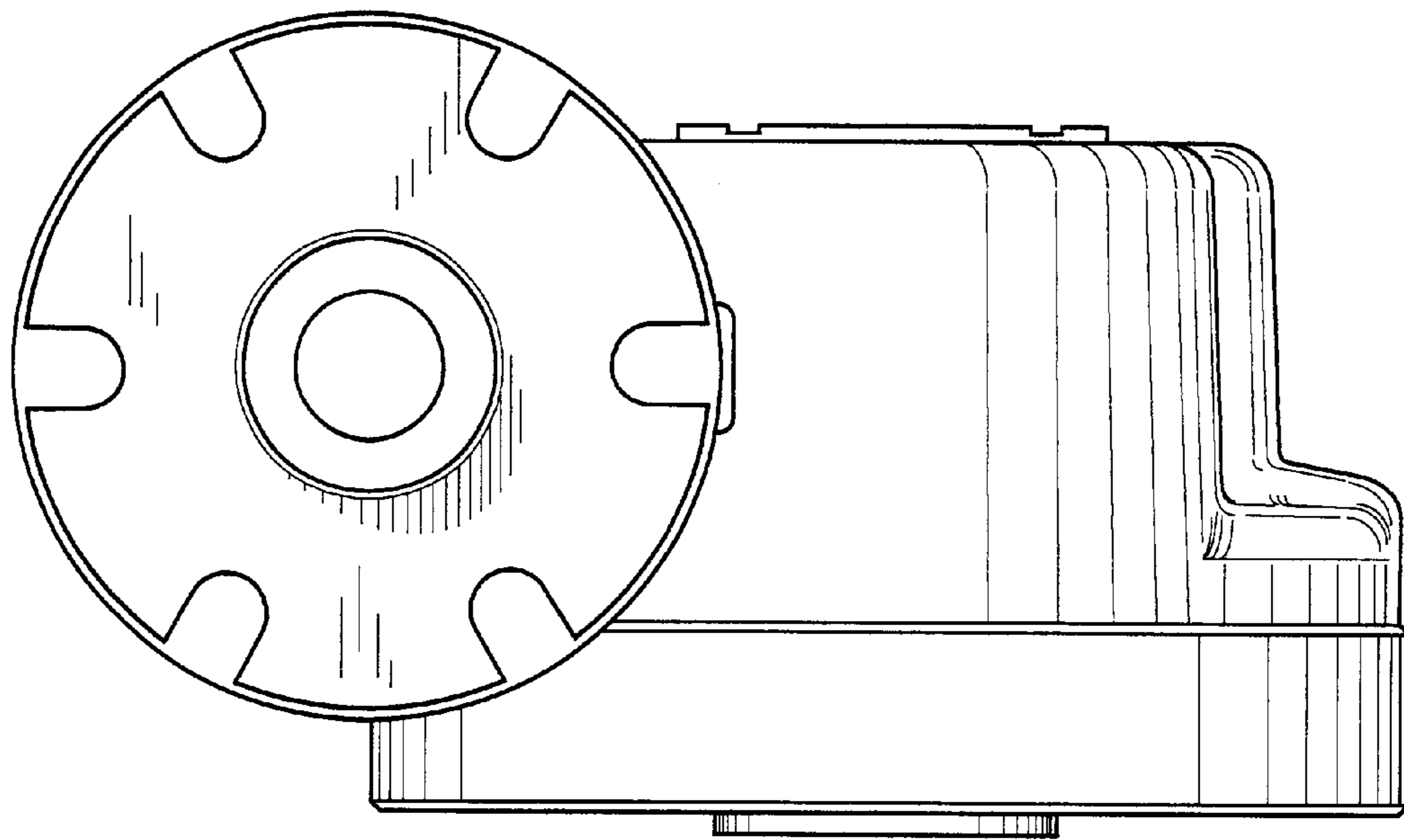


Fig. 2

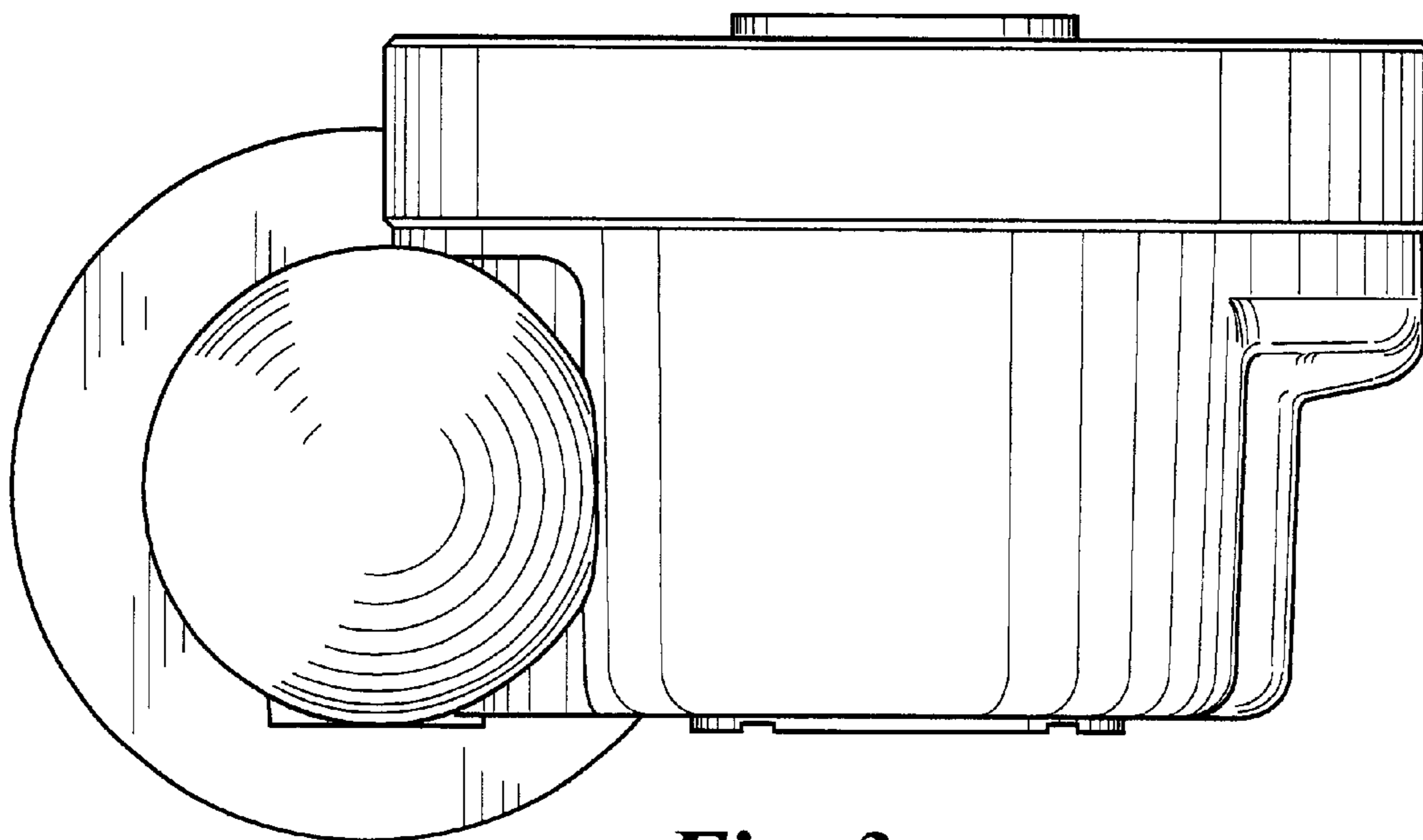


Fig. 3

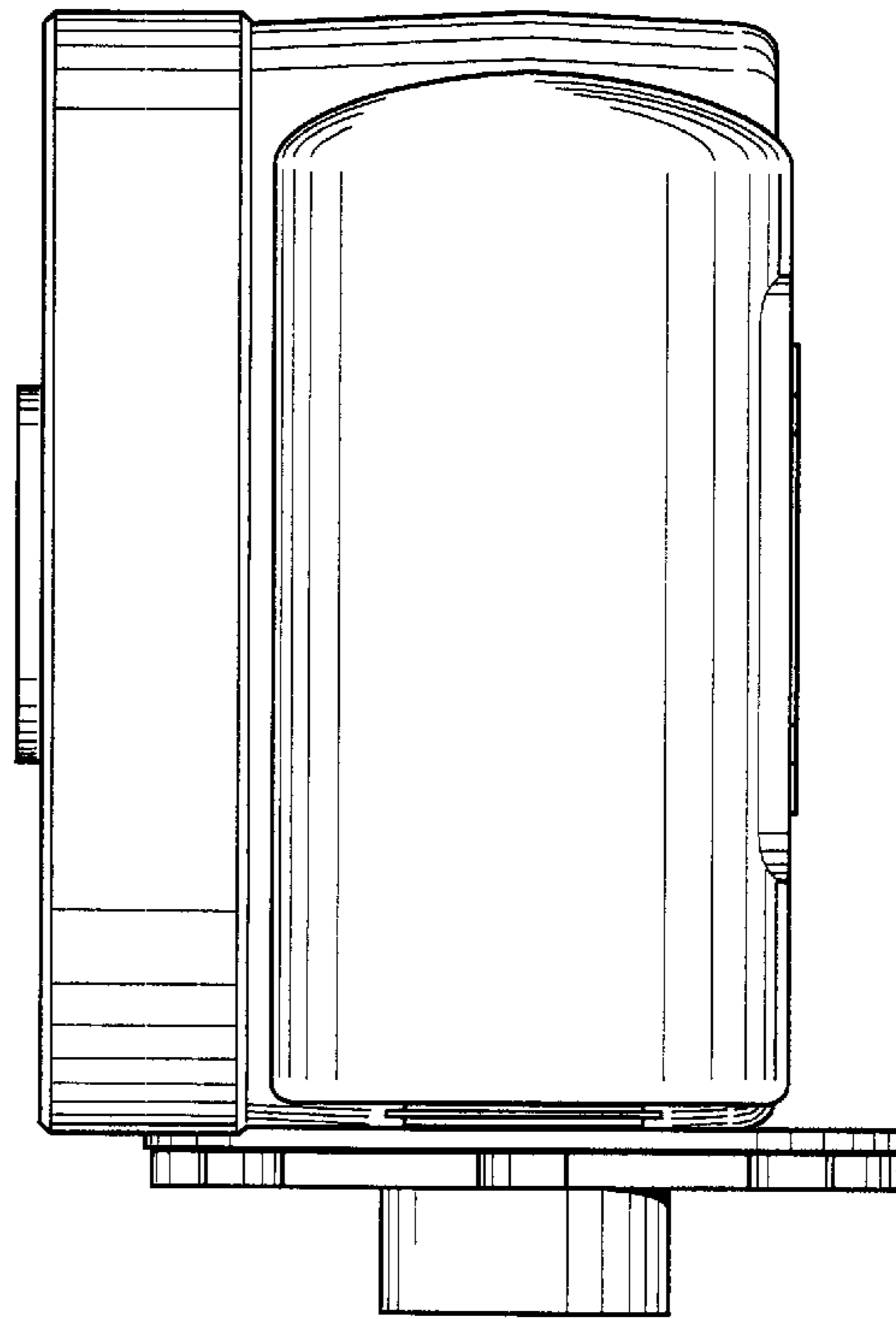


Fig. 4

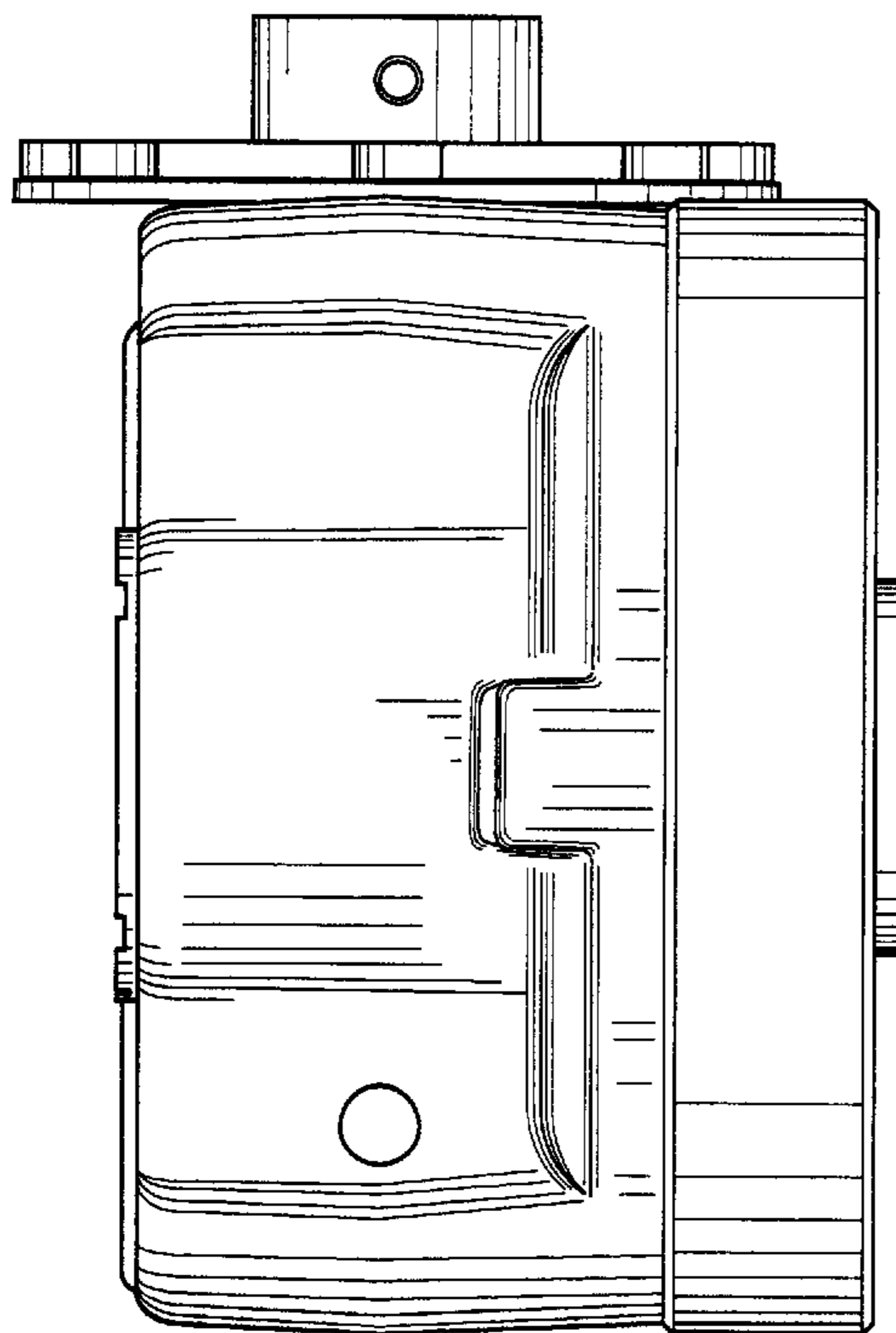


Fig. 5

