



US00D540918S

(12) **United States Design Patent**
Haug et al.

(10) **Patent No.:** **US D540,918 S**

(45) **Date of Patent:** **** Apr. 17, 2007**

(54) **FAUCET ASSEMBLY**

(75) Inventors: **Andreas Haug**, Stuttgart (DE); **Tom Schönherr**, Stuttgart (DE); **Andreas Dimitriadis**, Lorch (DE); **Peter Kolin**, Schwäbisch Gmünd (DE)

(73) Assignee: **Hansgrohe AG** (DE)

(**) Term: **14 Years**

(21) Appl. No.: **29/247,329**

(22) Filed: **Jun. 12, 2006**

(30) **Foreign Application Priority Data**

Dec. 15, 2005 (EM) 000449178-0023

(51) **LOC (8) Cl.** **23-01**

(52) **U.S. Cl.** **D23/241; D23/242**

(58) **Field of Classification Search** D23/238-257;
4/675-678; 137/801

See application file for complete search history.

(56) **References Cited**

U.S. PATENT DOCUMENTS

D472,608 S * 4/2003 Shieh D23/241

D512,485 S * 12/2005 Kulig D23/241
D516,177 S * 2/2006 Ouyoung D23/241
D516,681 S * 3/2006 Gilbert D23/249
D524,418 S * 7/2006 Schaffeld et al. D23/241

* cited by examiner

Primary Examiner—Louis S. Zarfes

Assistant Examiner—Gregory Andoll

(74) *Attorney, Agent, or Firm*—Kwadjo Adusei-Poku;
Lloyd D. Doigan

(57) **CLAIM**

The ornamental design for a faucet assembly, as shown and described.

DESCRIPTION

FIG. 1 is a front perspective view of a faucet assembly showing our design;

FIG. 2 is a front elevational view thereof;

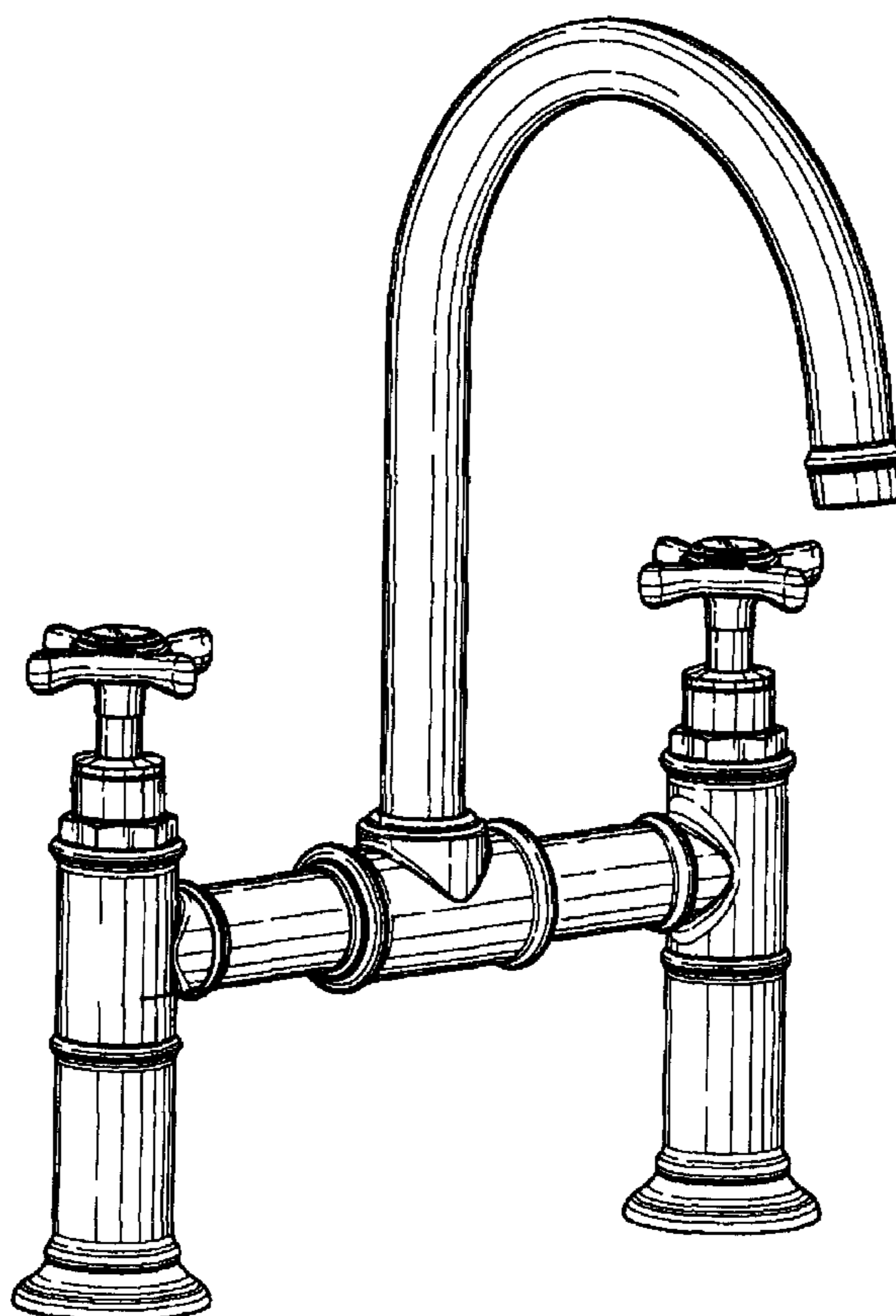
FIG. 3 is a right side elevational view thereof; the left side elevational view being a mirror image thereof;

FIG. 4 is a rear elevational view thereof;

FIG. 5 is a top plan view thereof; and,

FIG. 6 is a bottom plan view thereof.

1 Claim, 5 Drawing Sheets



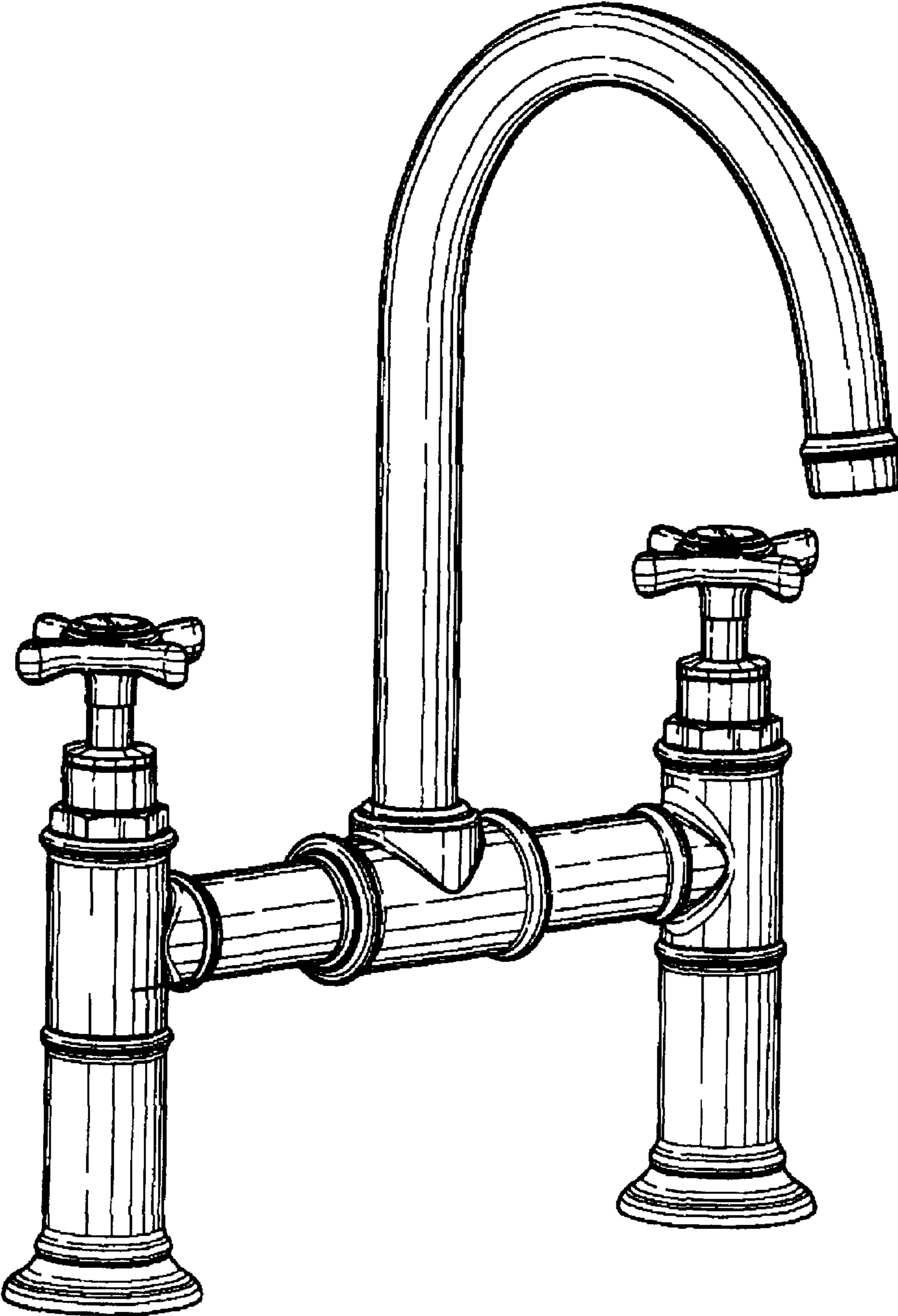
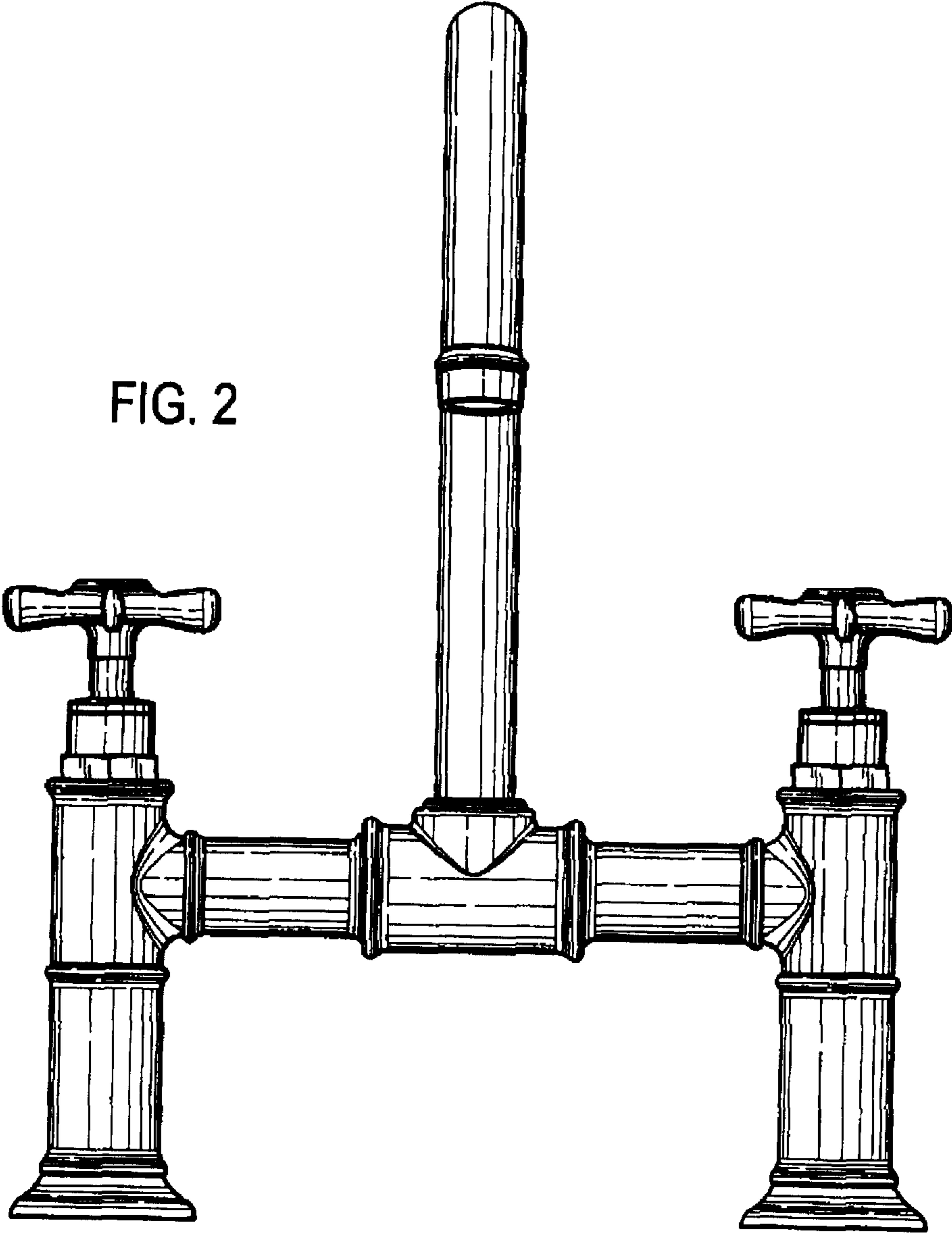


FIG. 1

FIG. 2



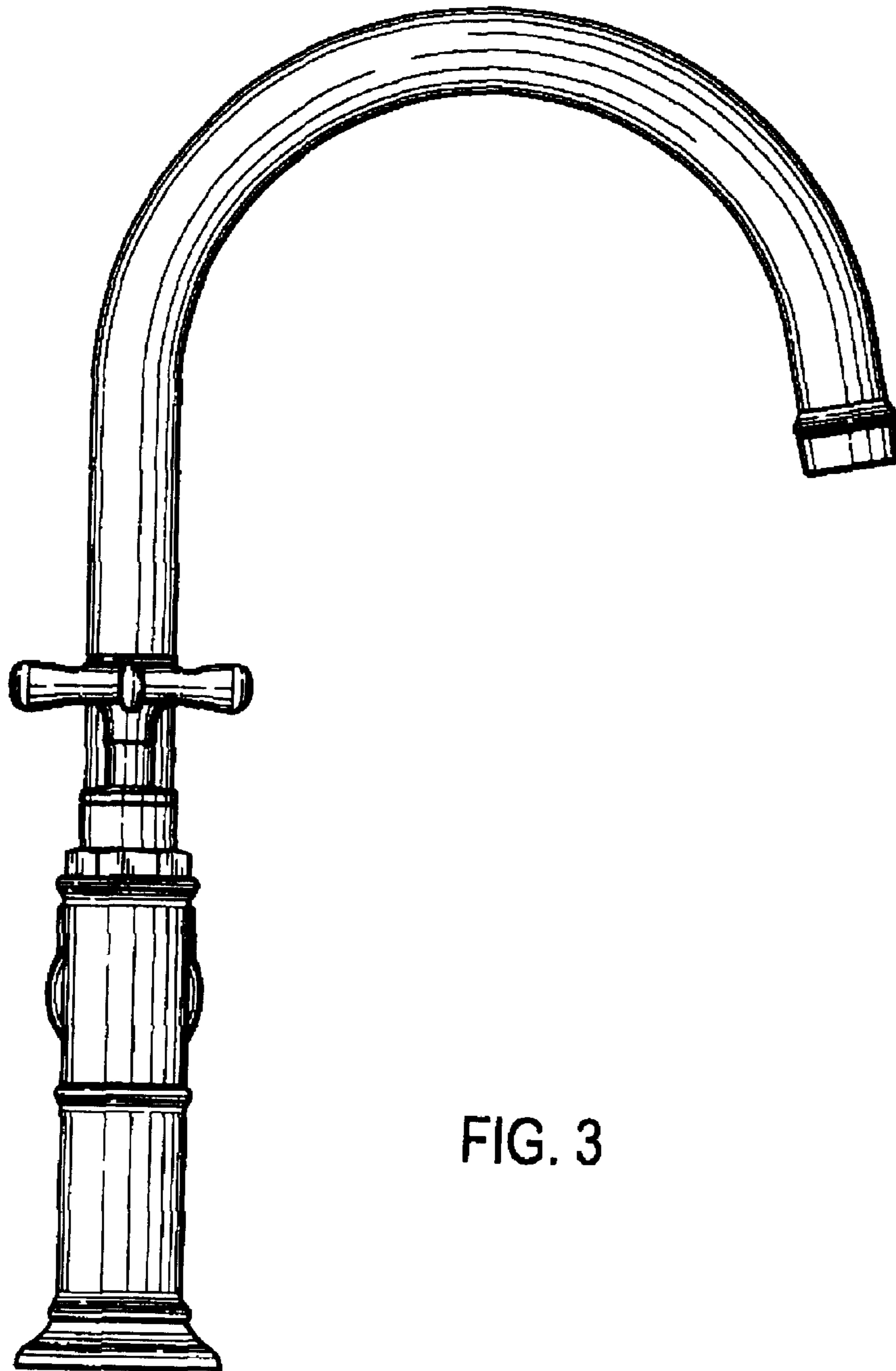


FIG. 3

FIG. 4

