



US00D540916S

(12) **United States Design Patent**
Toyohara

(10) **Patent No.:** **US D540,916 S**

(45) **Date of Patent:** **** Apr. 17, 2007**

(54) **FAUCET AND HANDLE SET**

D273,512 S * 4/1984 Arnolds D23/242
D492,392 S * 6/2004 Pohl et al. D23/242

(75) Inventor: **Atsushi Toyohara**, Kitakyushu (JP)

* cited by examiner

(73) Assignee: **Toto Ltd.**, Kitakyushu (JP)

Primary Examiner—Louis S. Zarfes

(**) Term: **14 Years**

Assistant Examiner—Gregory Andoll

(21) Appl. No.: **29/237,845**

(74) *Attorney, Agent, or Firm*—Birch, Stewart, Kolasch & Birch, LLP

(22) Filed: **Sep. 8, 2005**

(57) **CLAIM**

(30) **Foreign Application Priority Data**

The ornamental design for a faucet and handle set, as shown and described.

Mar. 11, 2005 (JP) 2005-007310

DESCRIPTION

(51) **LOC (8) Cl.** **23-01**

FIG. 1 is a perspective view of the top, front and right side of a faucet and handle set showing my new design;

(52) **U.S. Cl.** **D23/241; D23/242; D23/252**

FIG. 2 is a front view thereof;

(58) **Field of Classification Search** **D23/238–257;**

FIG. 3 is a rear view thereof;

4/675–678; 137/801

FIG. 4 is a left side view thereof;

See application file for complete search history.

FIG. 5 is a right side view thereof;

FIG. 6 is a top plan view thereof; and,

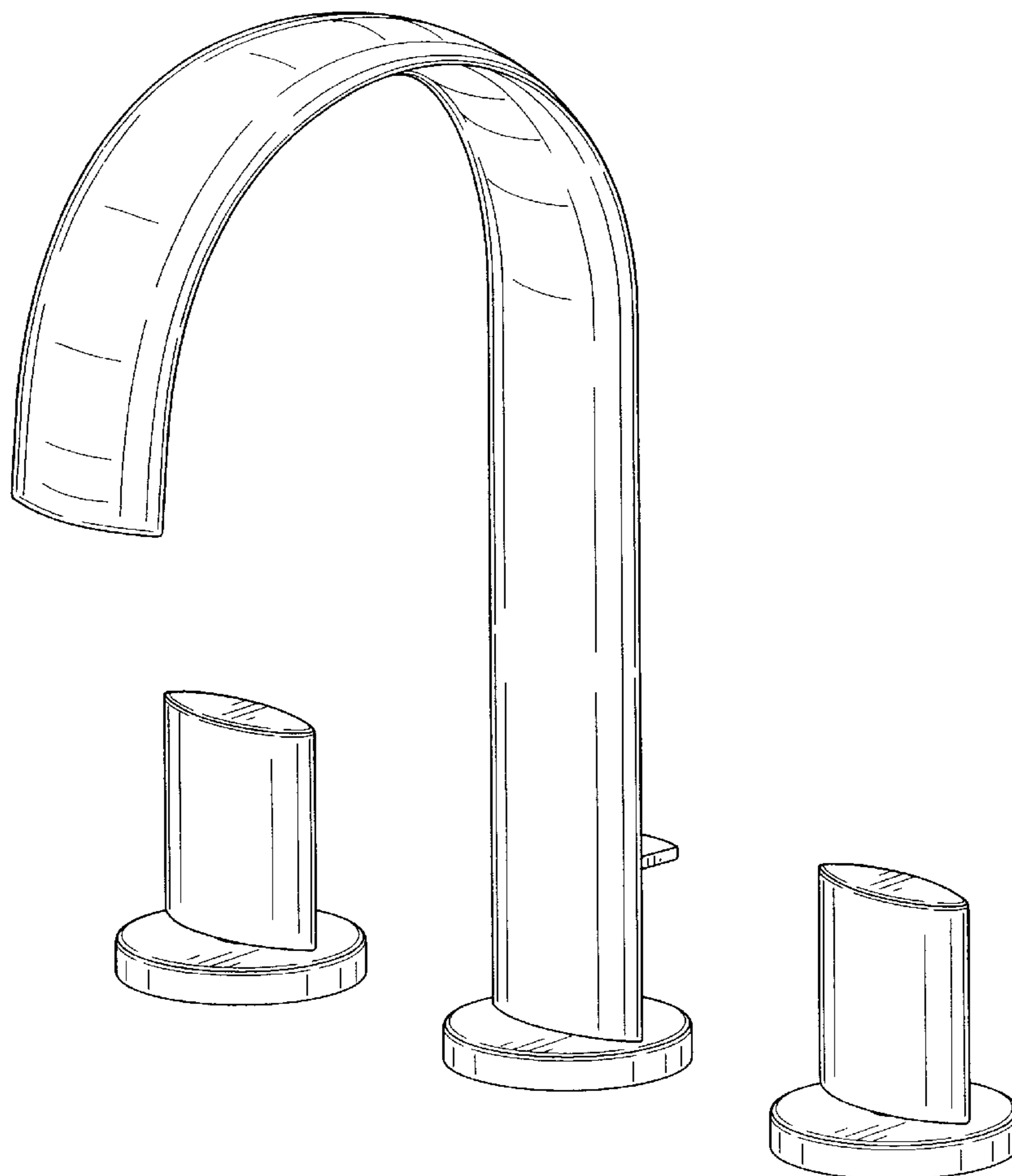
FIG. 7 is a bottom view thereof.

(56) **References Cited**

U.S. PATENT DOCUMENTS

D272,642 S * 2/1984 Fabian D23/242

1 Claim, 7 Drawing Sheets



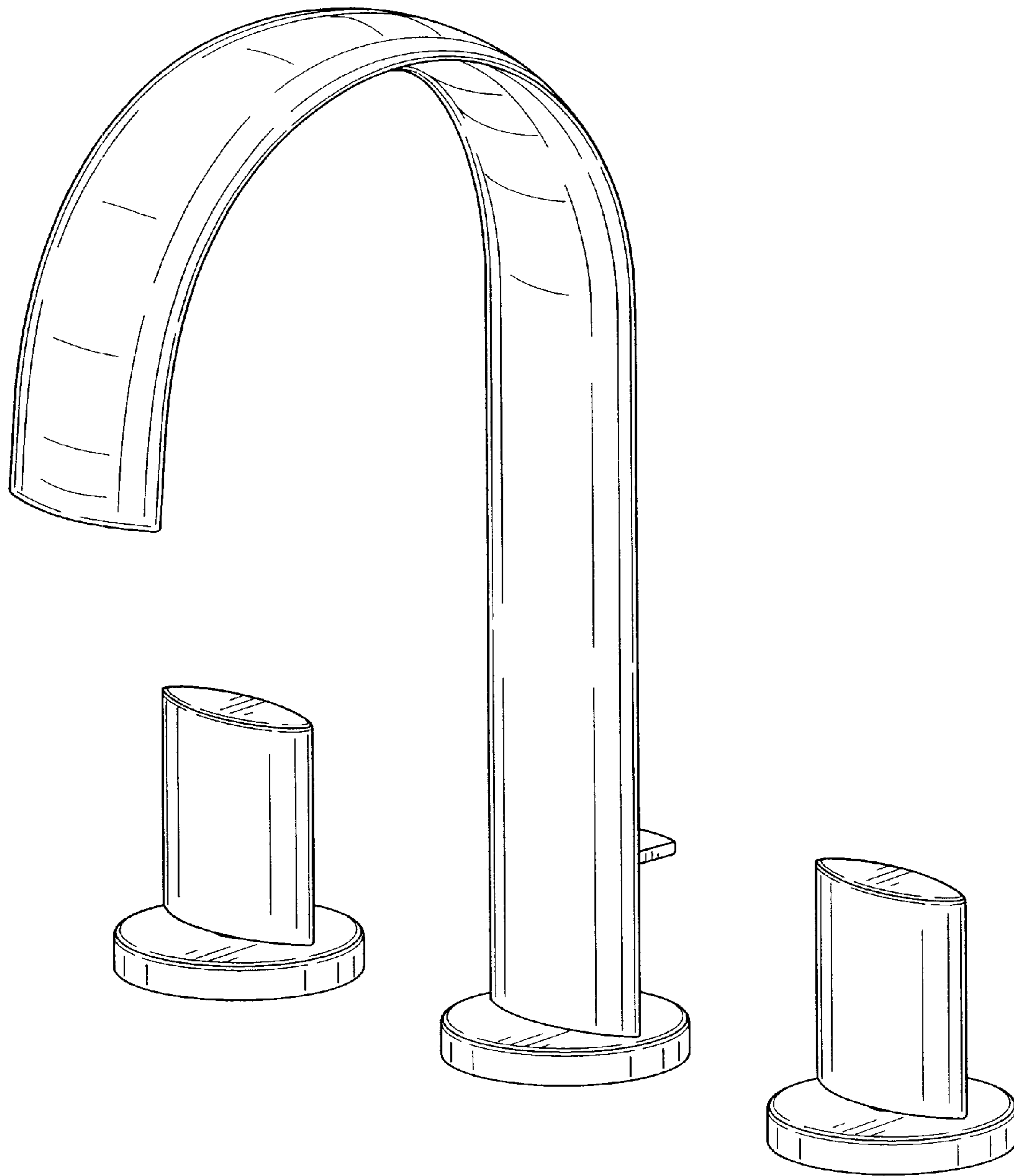


FIG. 1

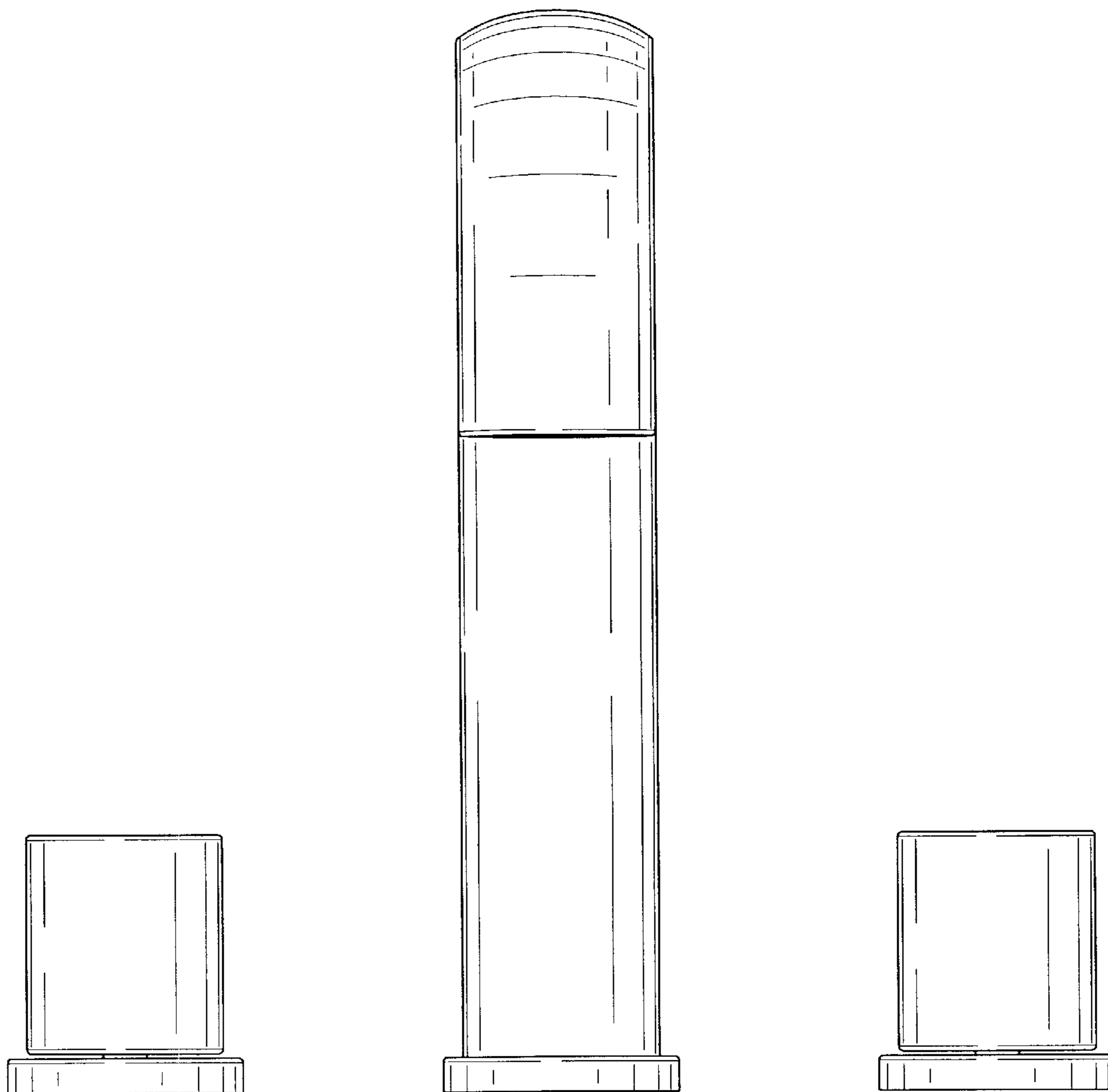


FIG. 2

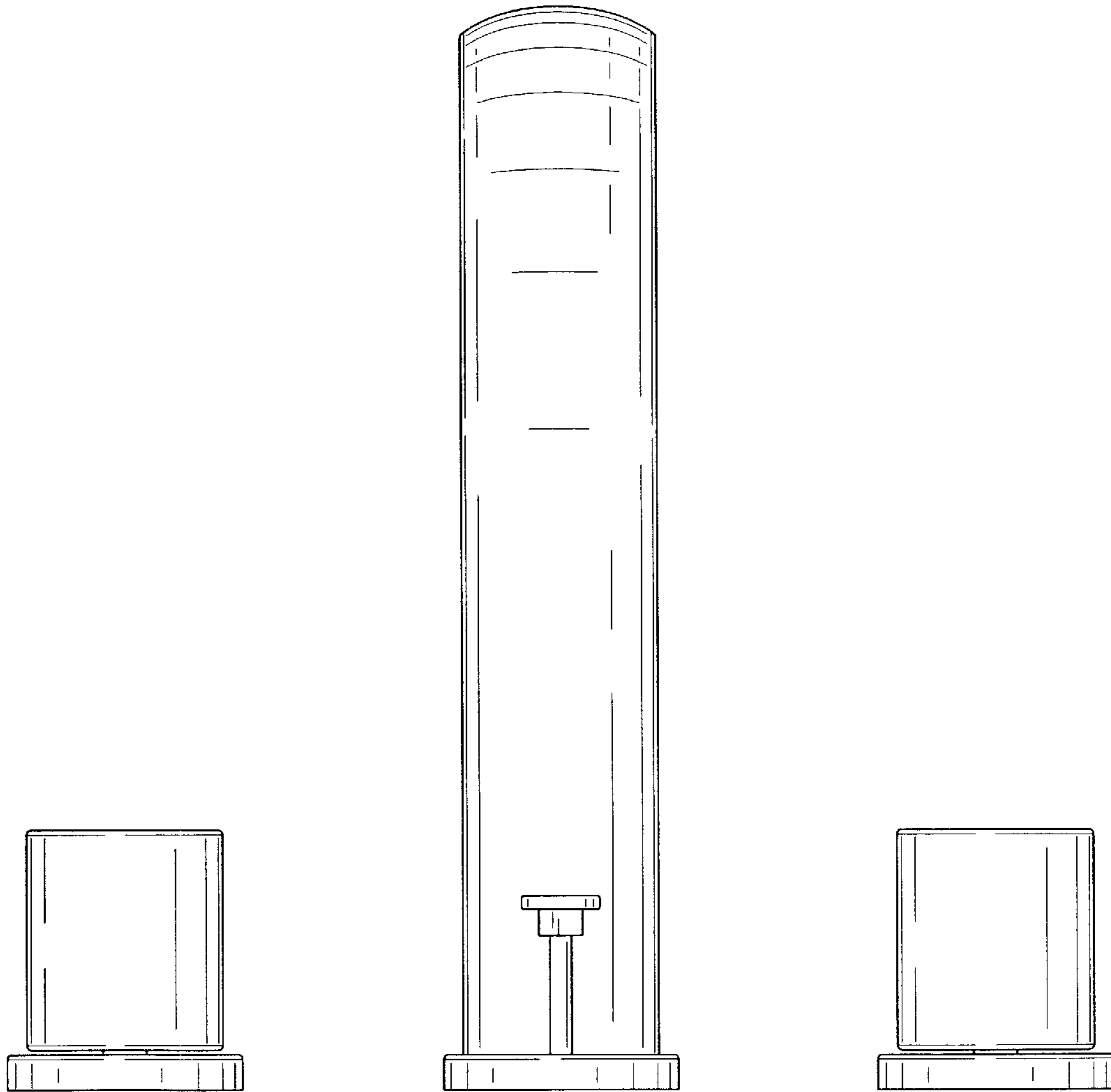


FIG. 3

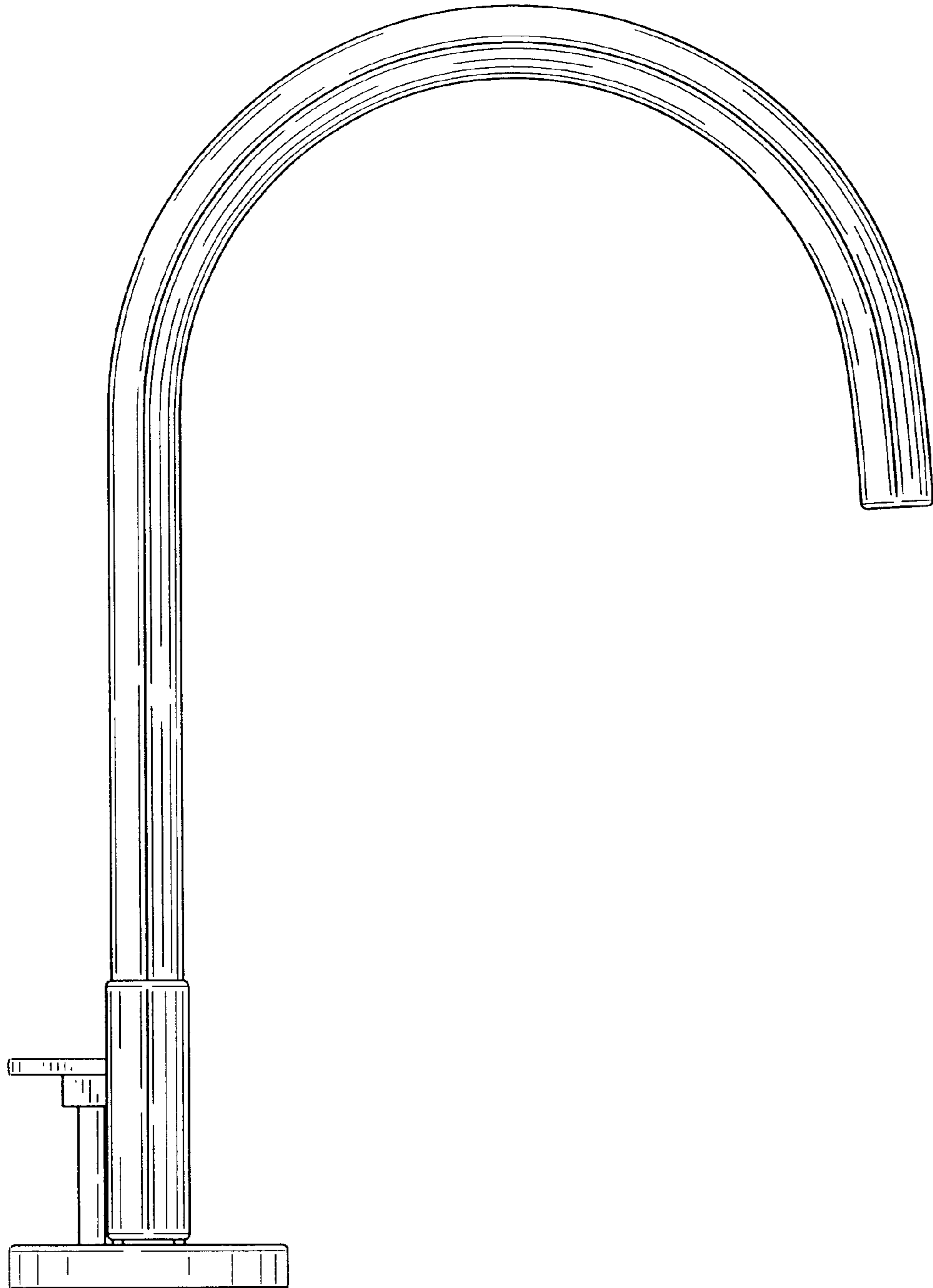


FIG. 4

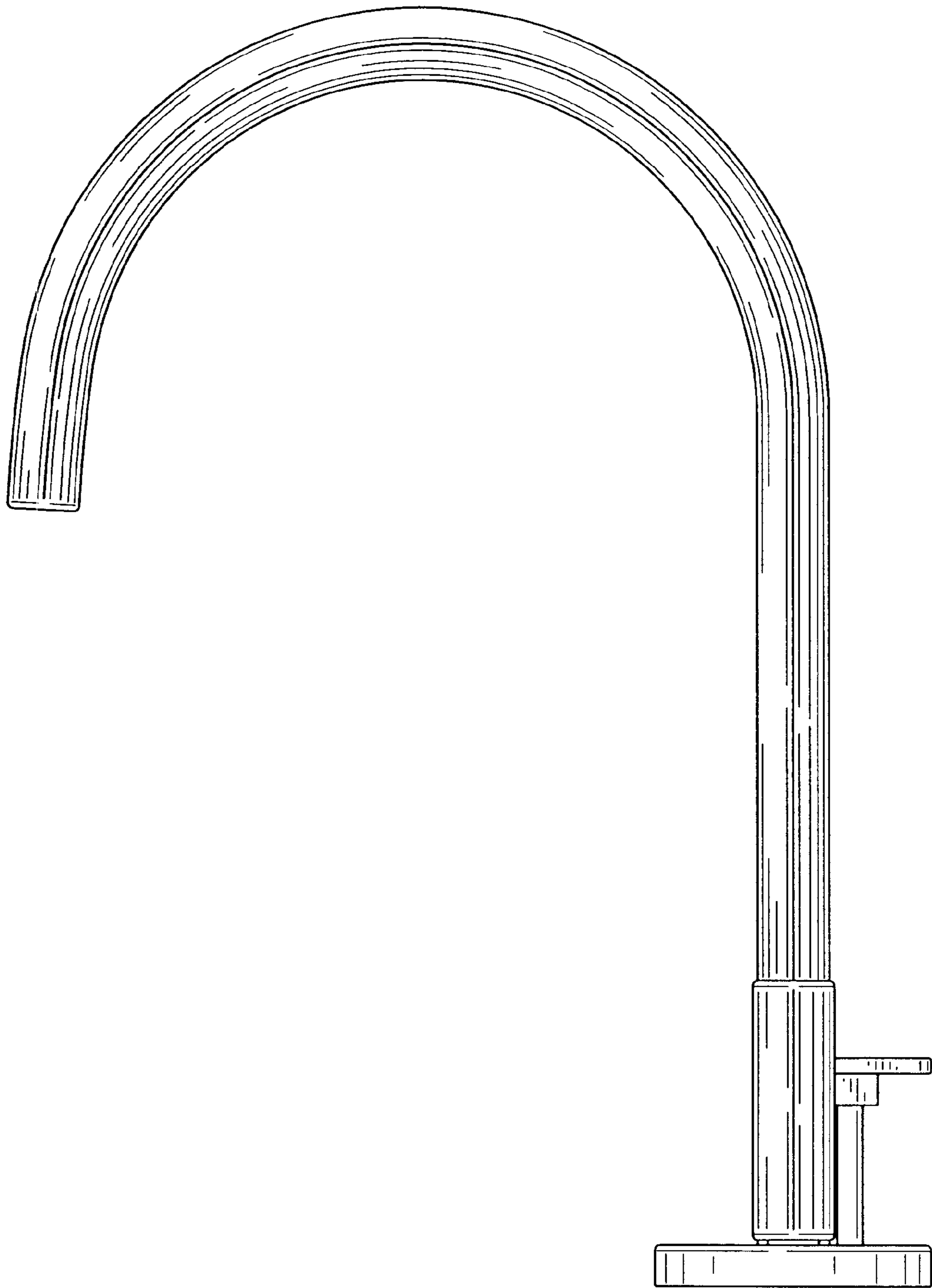


FIG. 5

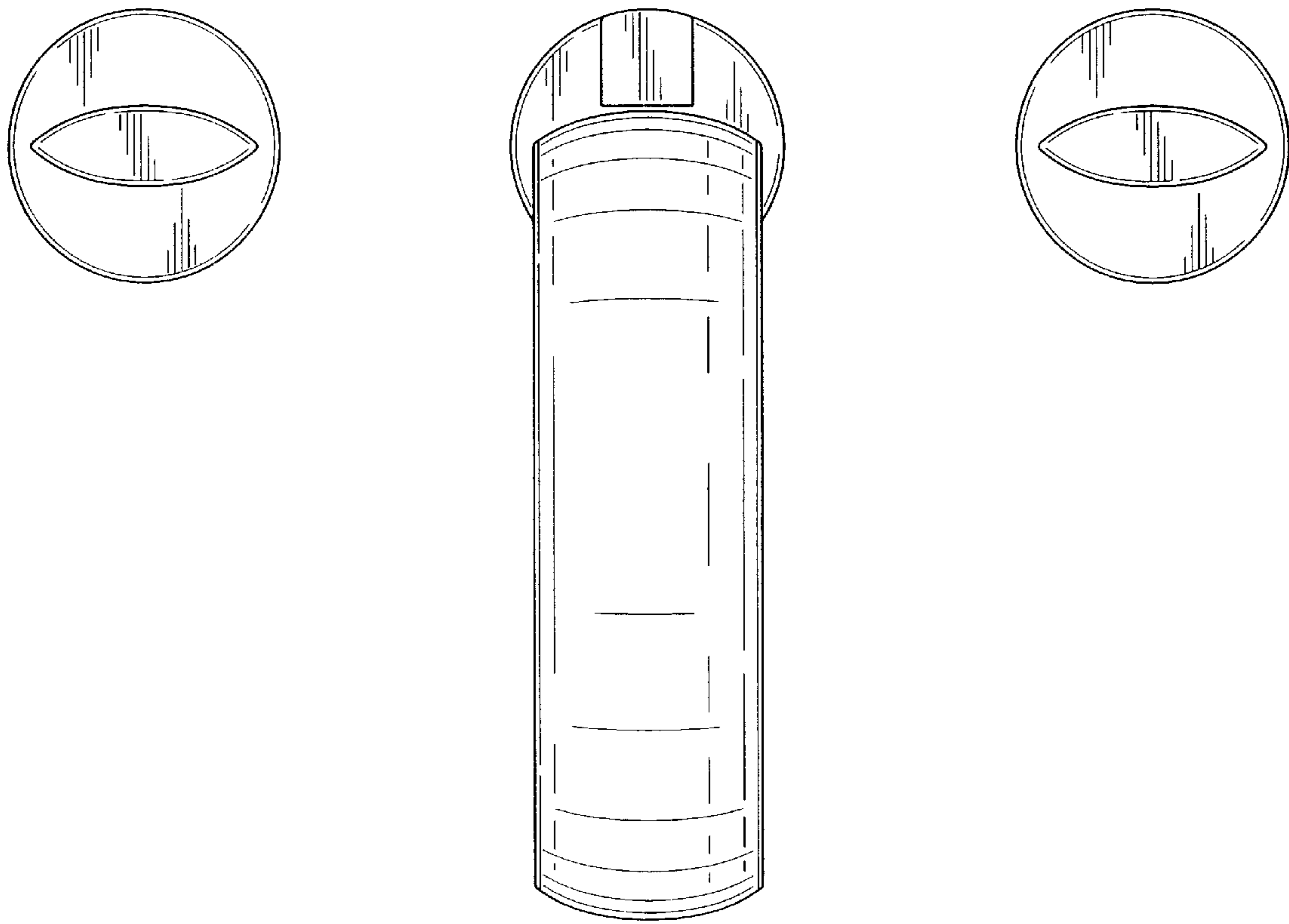


FIG. 6

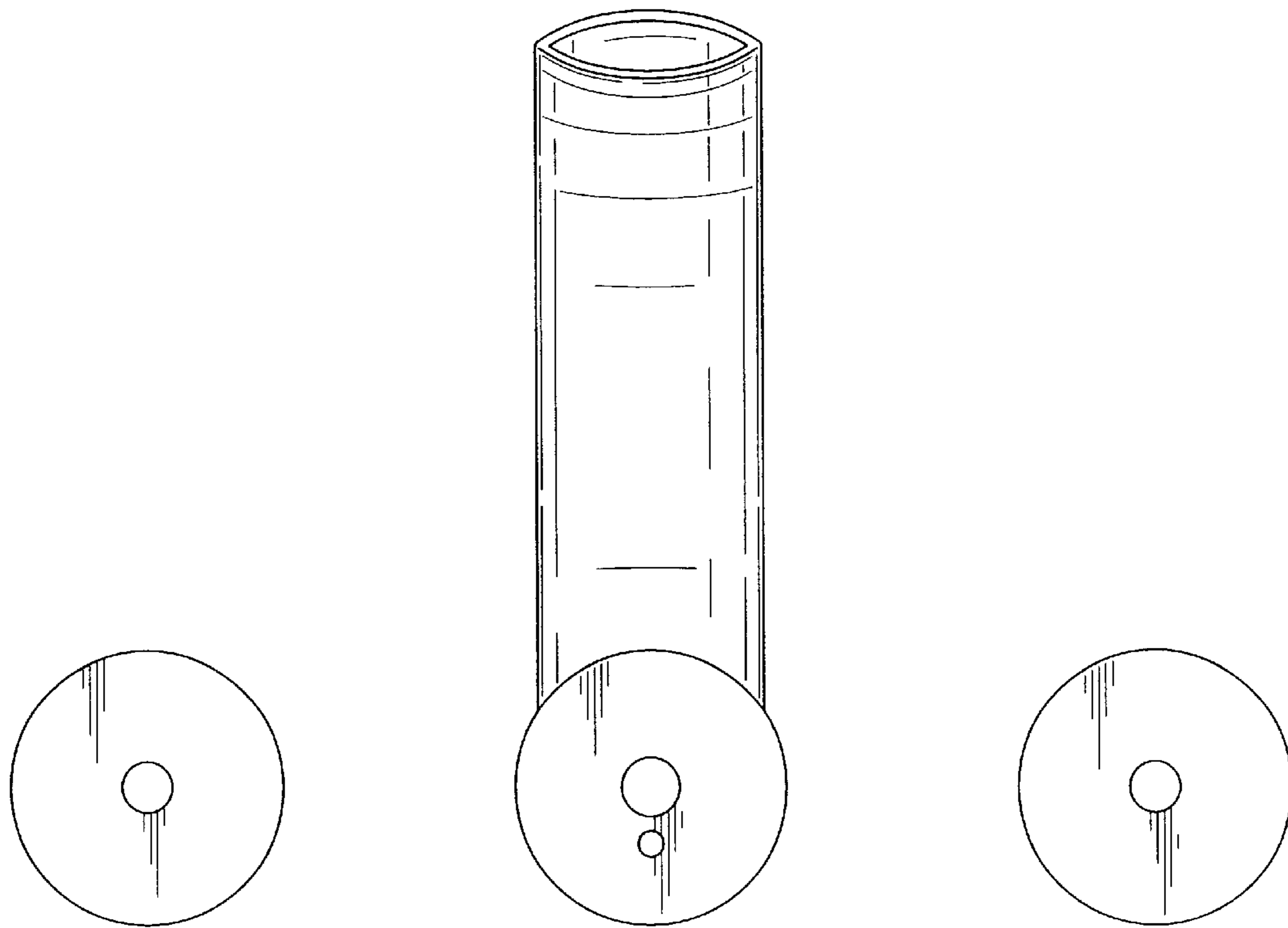


FIG. 7