



US00D540915S

(12) **United States Design Patent**
Kulig

(10) **Patent No.:** **US D540,915 S**

(45) **Date of Patent:** **** Apr. 17, 2007**

(54) **FAUCET**

(75) Inventor: **Zbigniew Kulig**, Wadsworth, IL (US)

(73) Assignee: **Graff Faucets**, Milwaukee, WI (US)

(**) Term: **14 Years**

(21) Appl. No.: **29/256,882**

(22) Filed: **Mar. 27, 2006**

(30) **Foreign Application Priority Data**

Jan. 10, 2006 (PL) Wp-9085

(51) **LOC (8) Cl.** **23-01**

(52) **U.S. Cl.** **D23/238; D23/235**

(58) **Field of Classification Search** D23/238-257;
4/675-678; 137/801

See application file for complete search history.

(56) **References Cited**

U.S. PATENT DOCUMENTS

D304,853 S * 11/1989 Pery D23/257

D312,866 S * 12/1990 Gaffney et al. D23/255

D510,611 S * 10/2005 Jorgensen et al. D23/238

D512,483 S * 12/2005 Painsi D23/238

* cited by examiner

Primary Examiner—Louis S. Zarfes

Assistant Examiner—Gregory Andoll

(74) *Attorney, Agent, or Firm*—Boyle Fredrickson

Newholm Stein & Gratz S.C.

(57) **CLAIM**

The ornamental design for a faucet, as shown and described.

DESCRIPTION

FIG. 1 is perspective view of a faucet incorporating my new design, viewed from in front of, above, and from the left side of the faucet;

FIG. 2 is a front elevation view thereof;

FIG. 3 is a rear elevation view thereof;

FIG. 4 is a top plan view thereof;

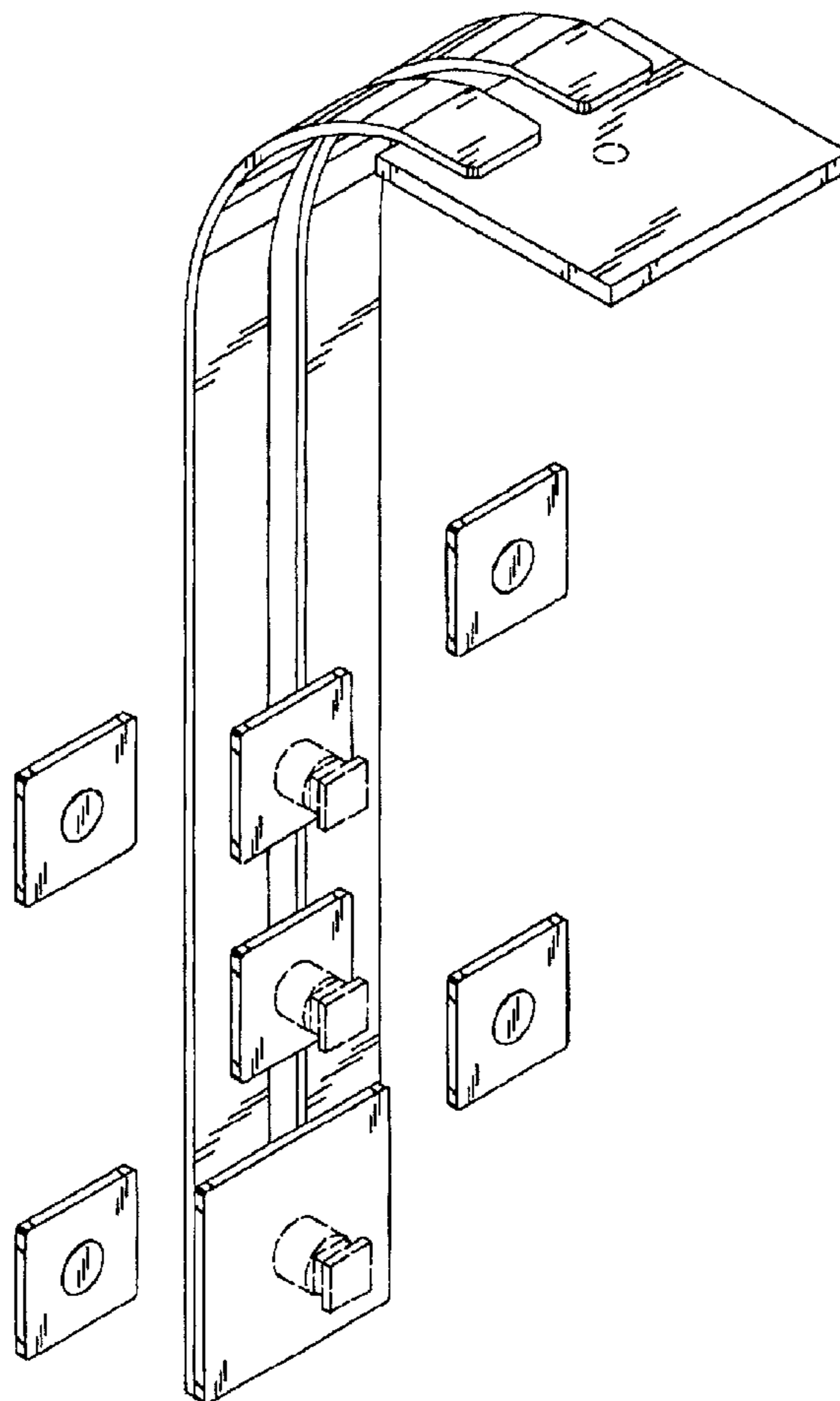
FIG. 5 is a bottom plan view thereof;

FIG. 6 is a left-side elevation view thereof; and,

FIG. 7 is a right-side elevation view thereof.

The broken lines in FIGS. 1-7 are for illustrative purposes only and form no part of the claimed design.

1 Claim, 7 Drawing Sheets



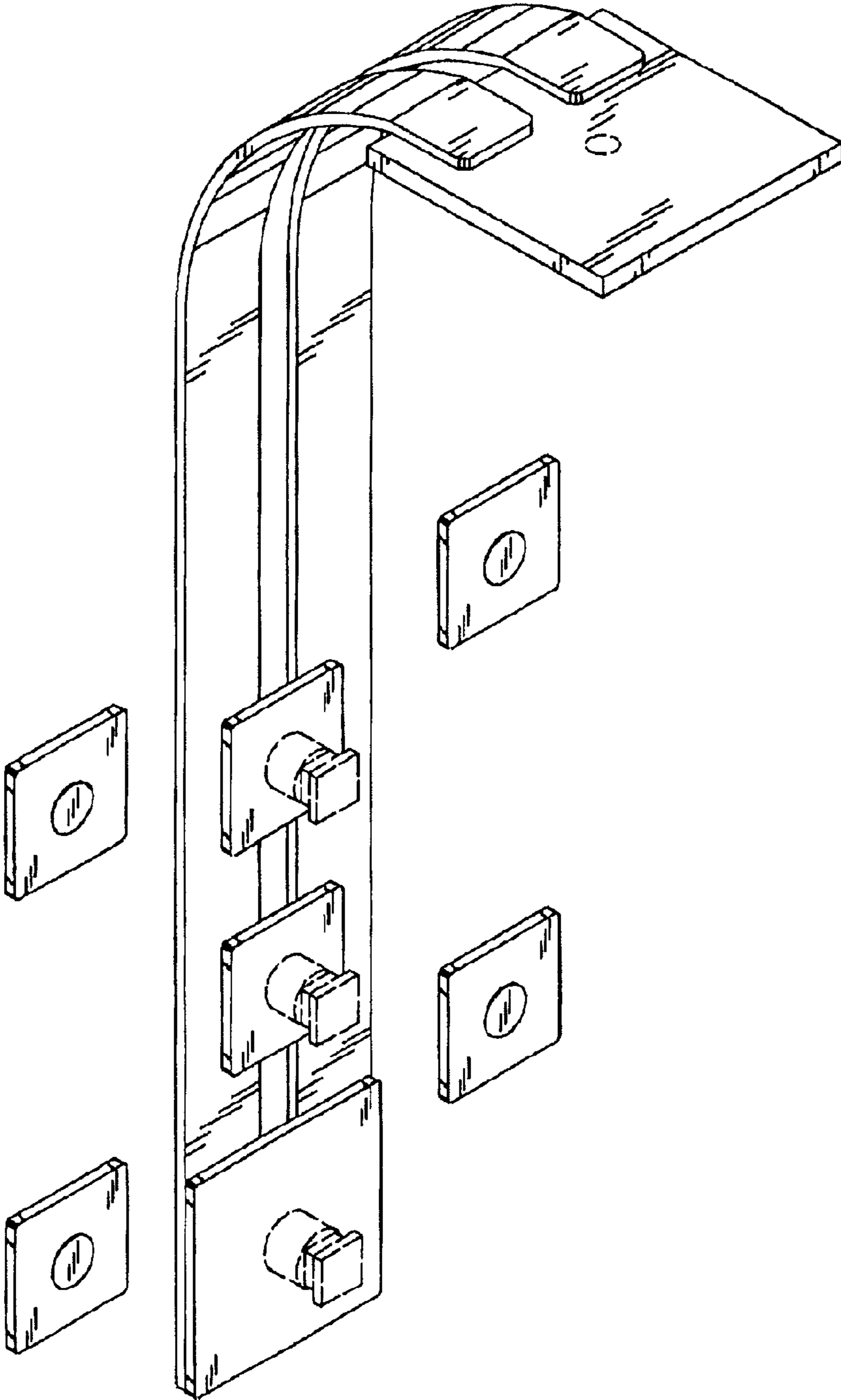


FIG. 1

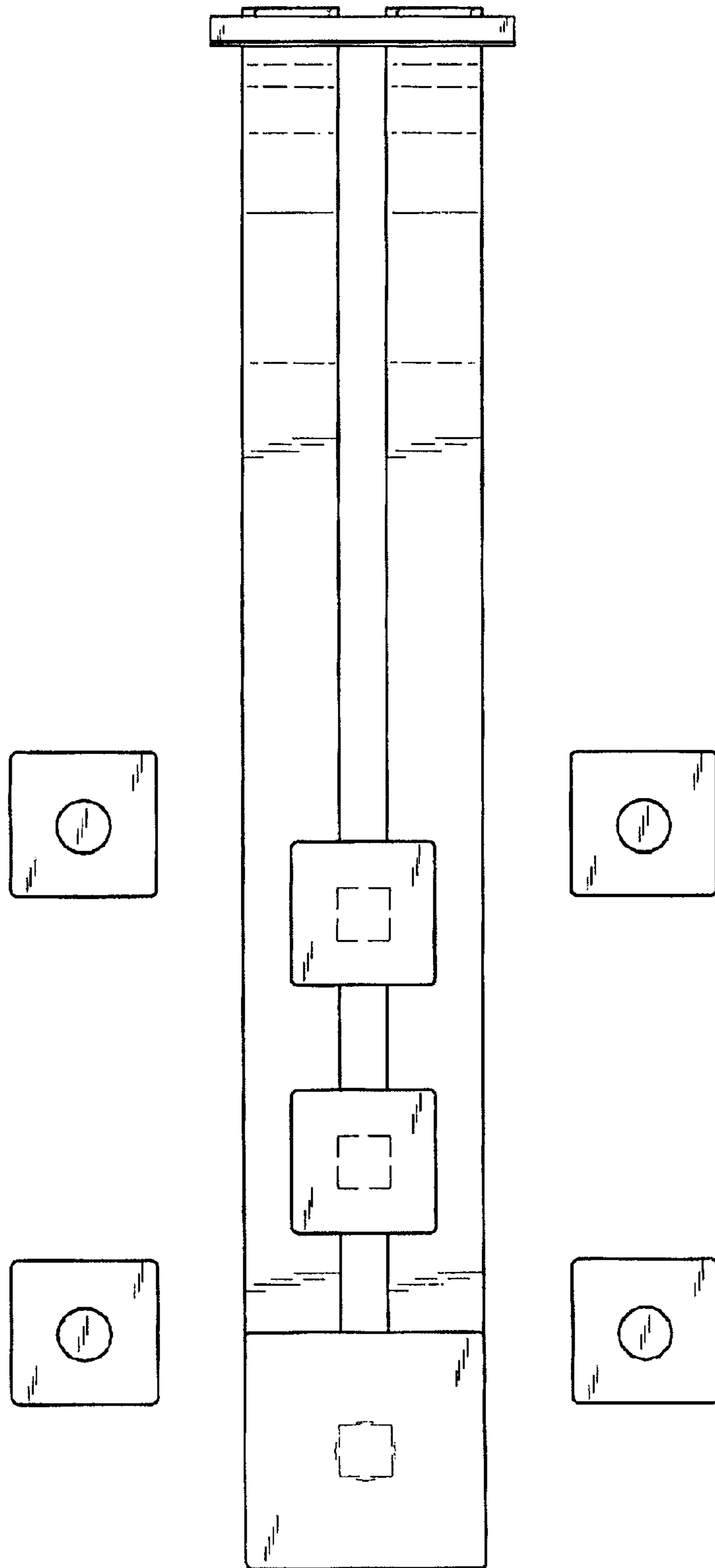


FIG. 2

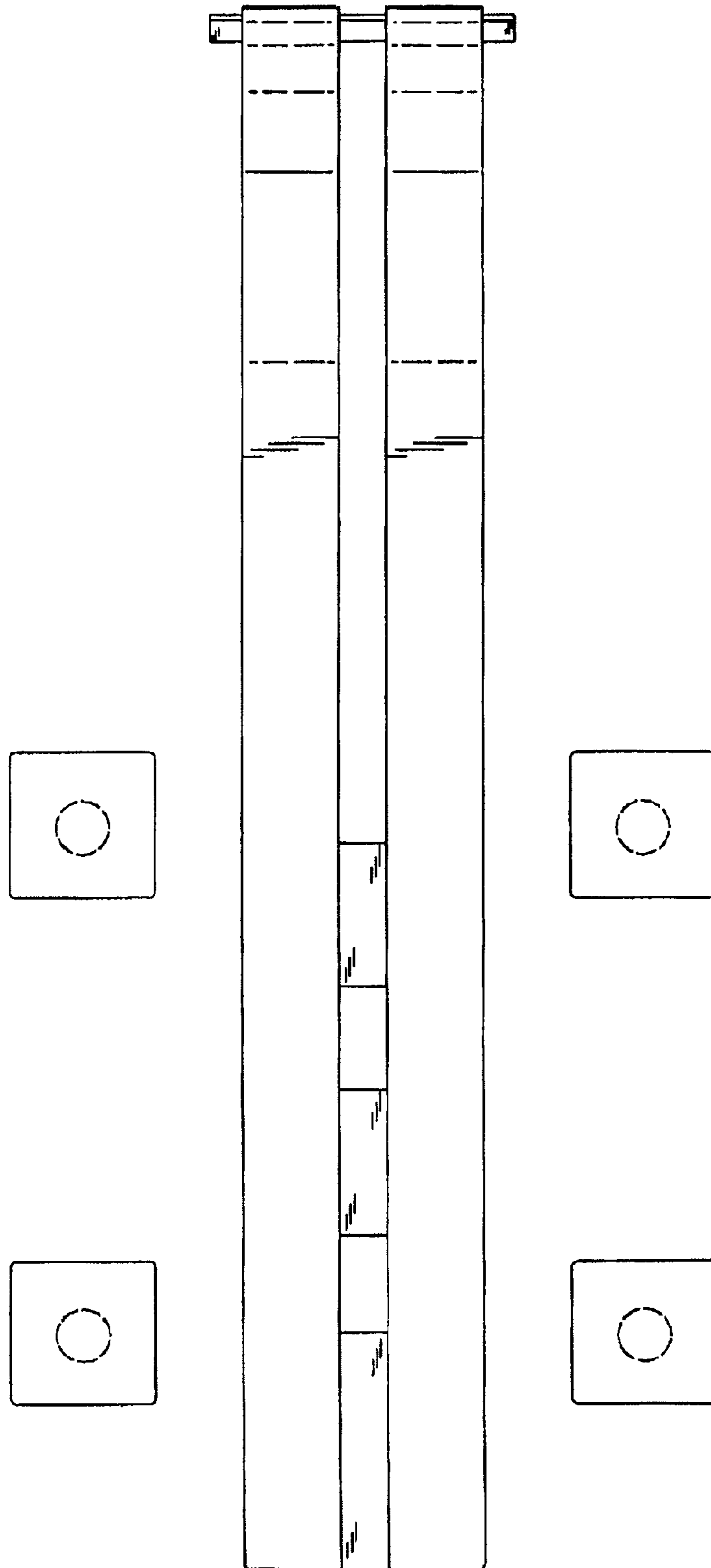


FIG. 3

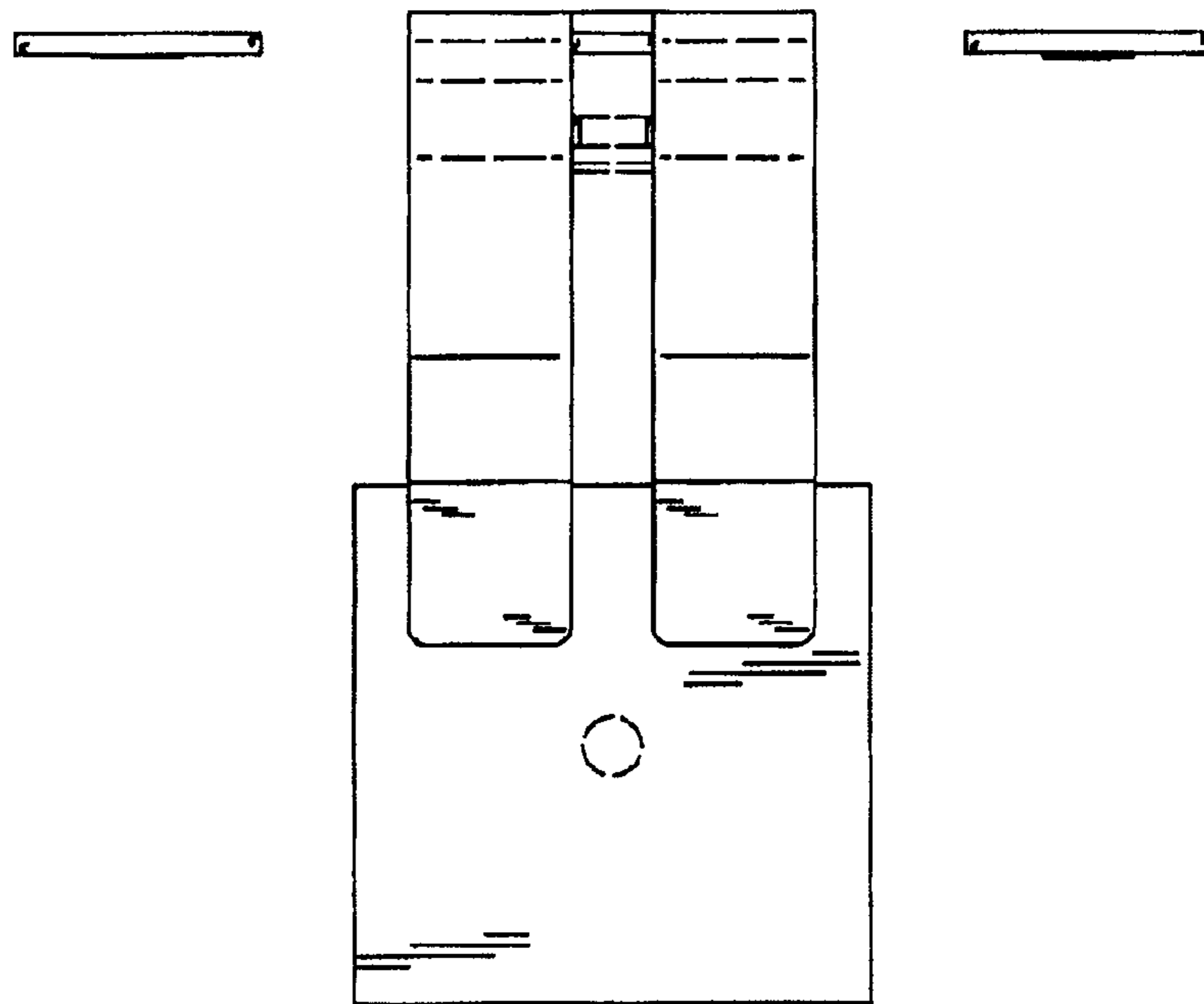


FIG. 4

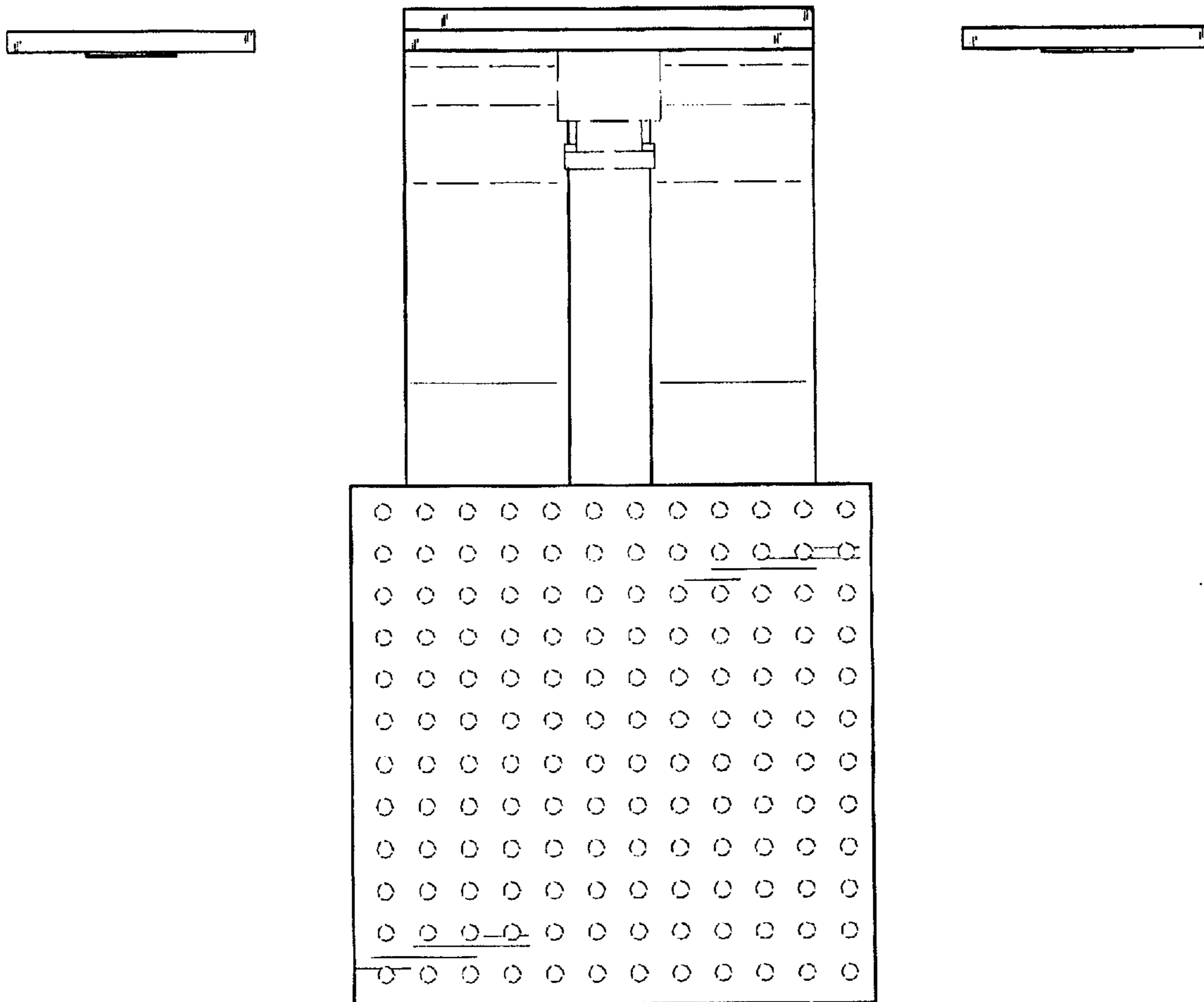


FIG. 5

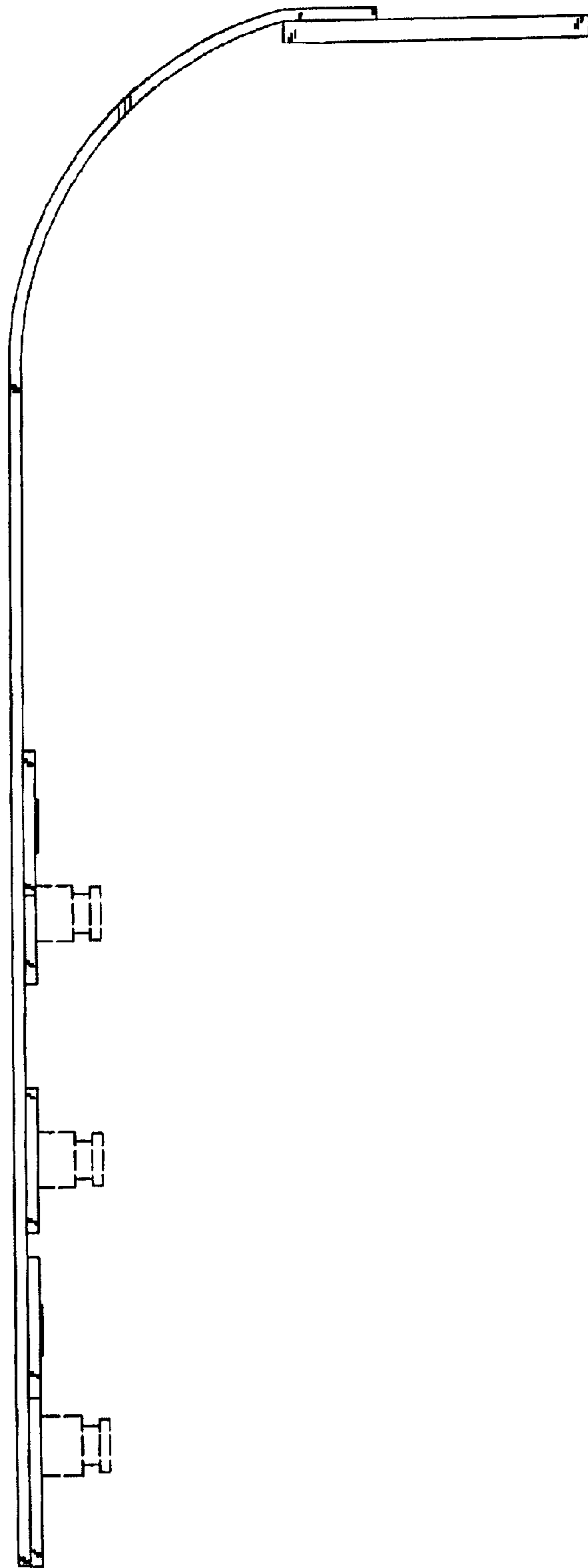


FIG. 6

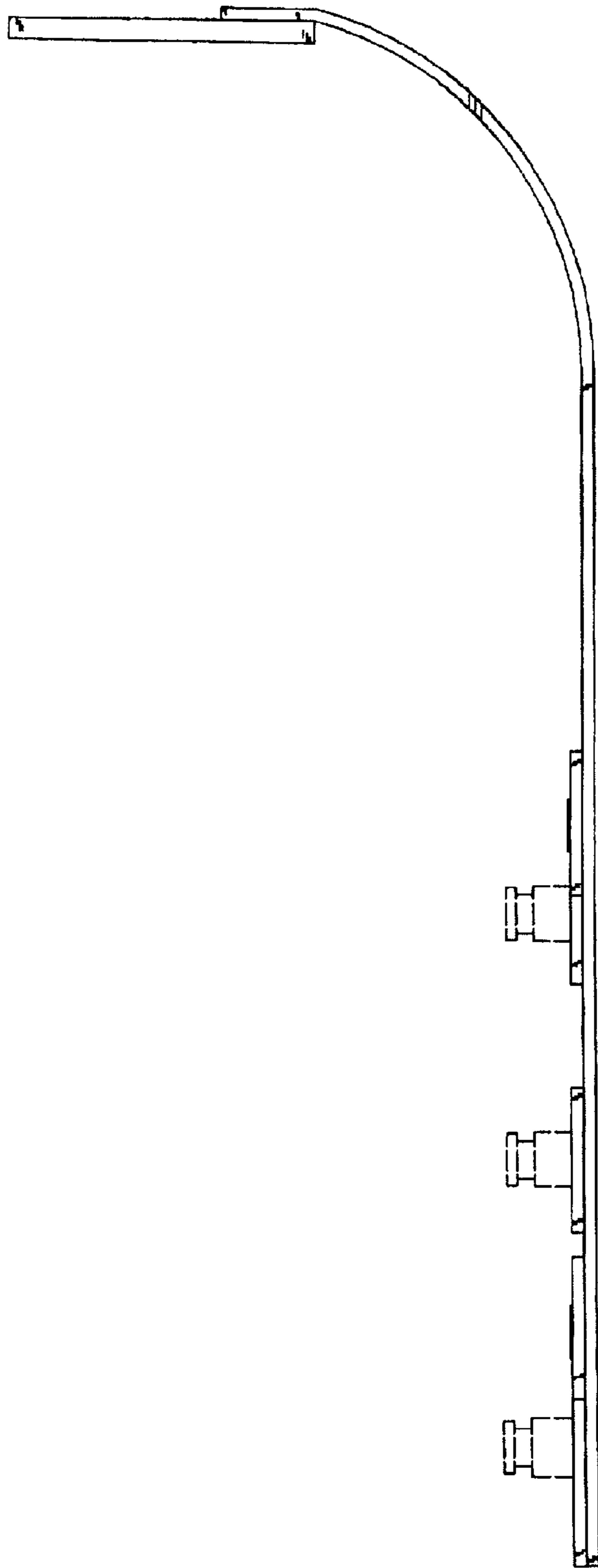


FIG. 7