



US00D540912S

(12) **United States Design Patent**  
**Qing**

(10) **Patent No.:** **US D540,912 S**

(45) **Date of Patent:** **\*\* Apr. 17, 2007**

(54) **TUB FAUCET**

(75) Inventor: **Liao Song Qing**, Guangdong (CN)

(73) Assignee: **Masco Corporation of Indiana**,  
Indianapolis, IN (US)

(\*\*) Term: **14 Years**

(21) Appl. No.: **29/247,184**

(22) Filed: **Jun. 5, 2006**

(51) **LOC (8) Cl.** ..... **23-01**

(52) **U.S. Cl.** ..... **D23/238**

(58) **Field of Classification Search** ..... D23/238-257;  
4/675-678; 137/801

See application file for complete search history.

(56) **References Cited**

**U.S. PATENT DOCUMENTS**

D149,388 S	*	4/1948	Strathmore	.....	D23/240
D171,572 S	*	3/1954	Baker, Jr.	.....	D23/241
D233,235 S	*	10/1974	Arbon	.....	D23/238
D271,704 S	*	12/1983	Paul	.....	D23/238

D287,160 S	*	12/1986	Rademacher	.....	D23/242
D353,441 S	*	12/1994	Haug et al.	.....	D23/238
D509,572 S	*	9/2005	Arkay-Leliever	.....	D23/255
D525,345 S	*	7/2006	Anderson	.....	D23/238

\* cited by examiner

*Primary Examiner*—Louis S. Zarfaz

*Assistant Examiner*—Gregory Andoll

(74) *Attorney, Agent, or Firm*—Kwadjo Adusei-Poku;  
Lloyd D. Doigan

(57) **CLAIM**

The ornamental design for a tub faucet, as shown and described.

**DESCRIPTION**

FIG. 1 is a front perspective view of a tub faucet showing my new design;

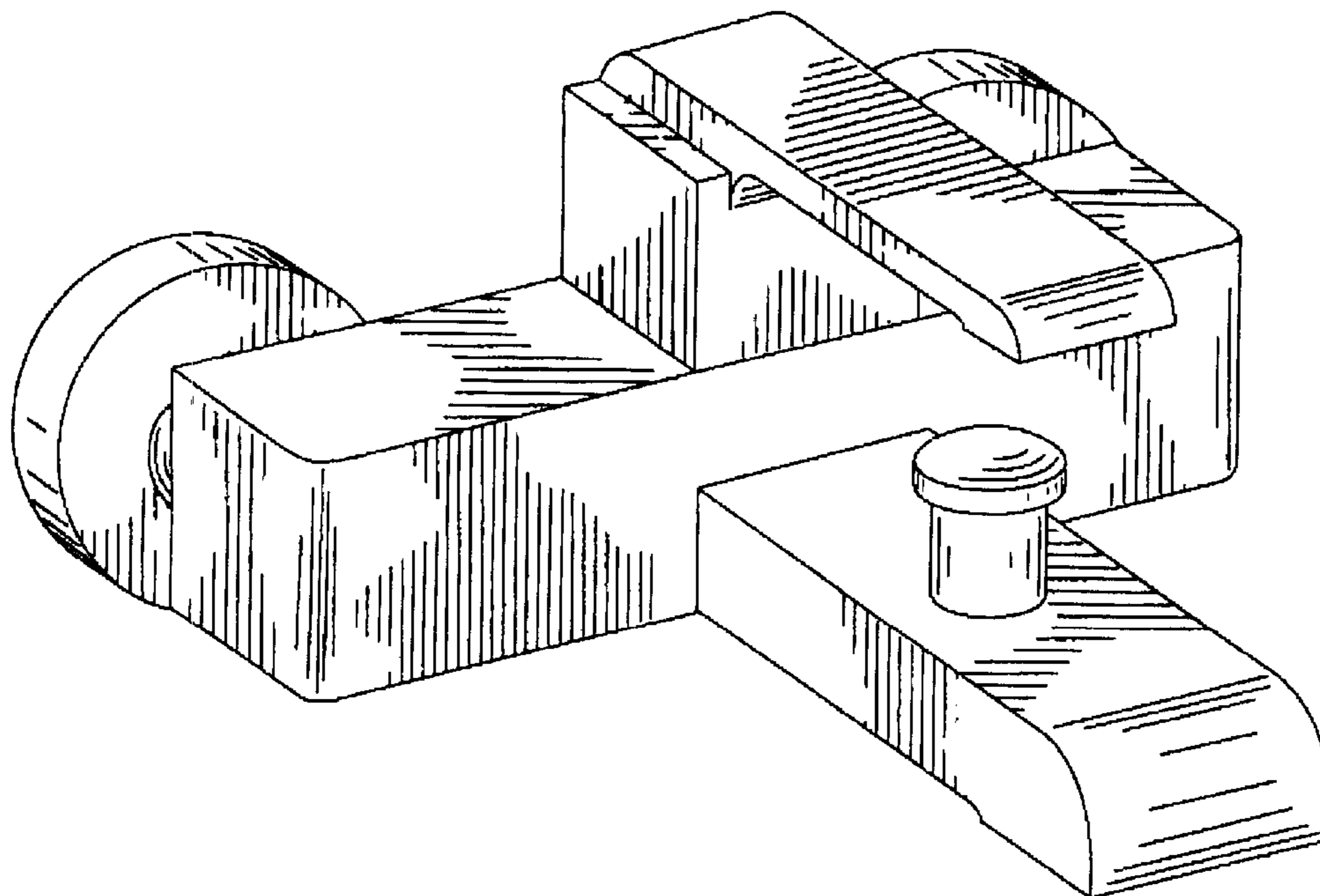
FIG. 2 is a left side elevational view thereof, the right side being a mirror image thereof;

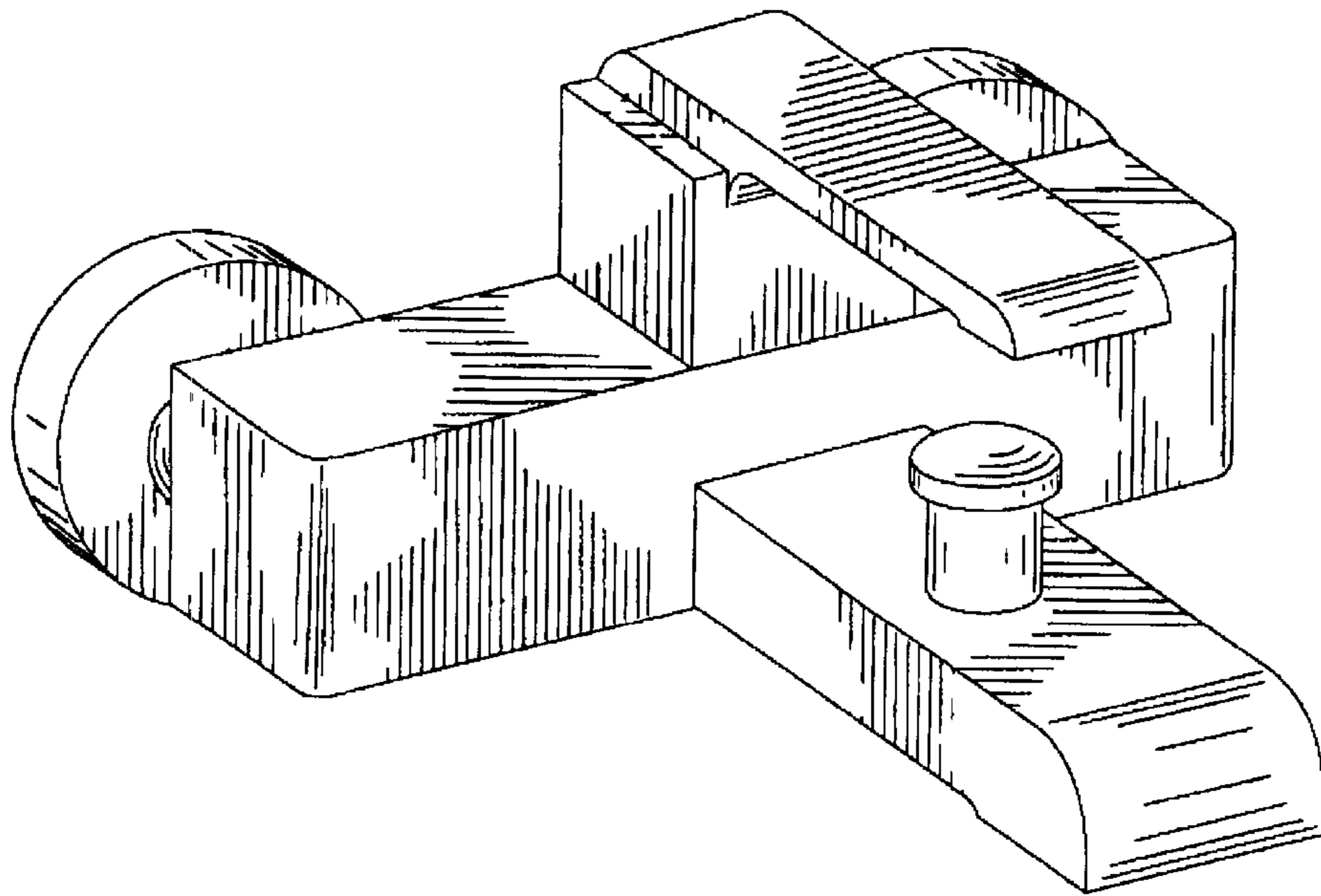
FIG. 3 is a front elevational view thereof; and

FIG. 4 is a top plan view thereof; and,

FIG. 5 is a bottom plan view thereof.

**1 Claim, 5 Drawing Sheets**





**FIG. 1**

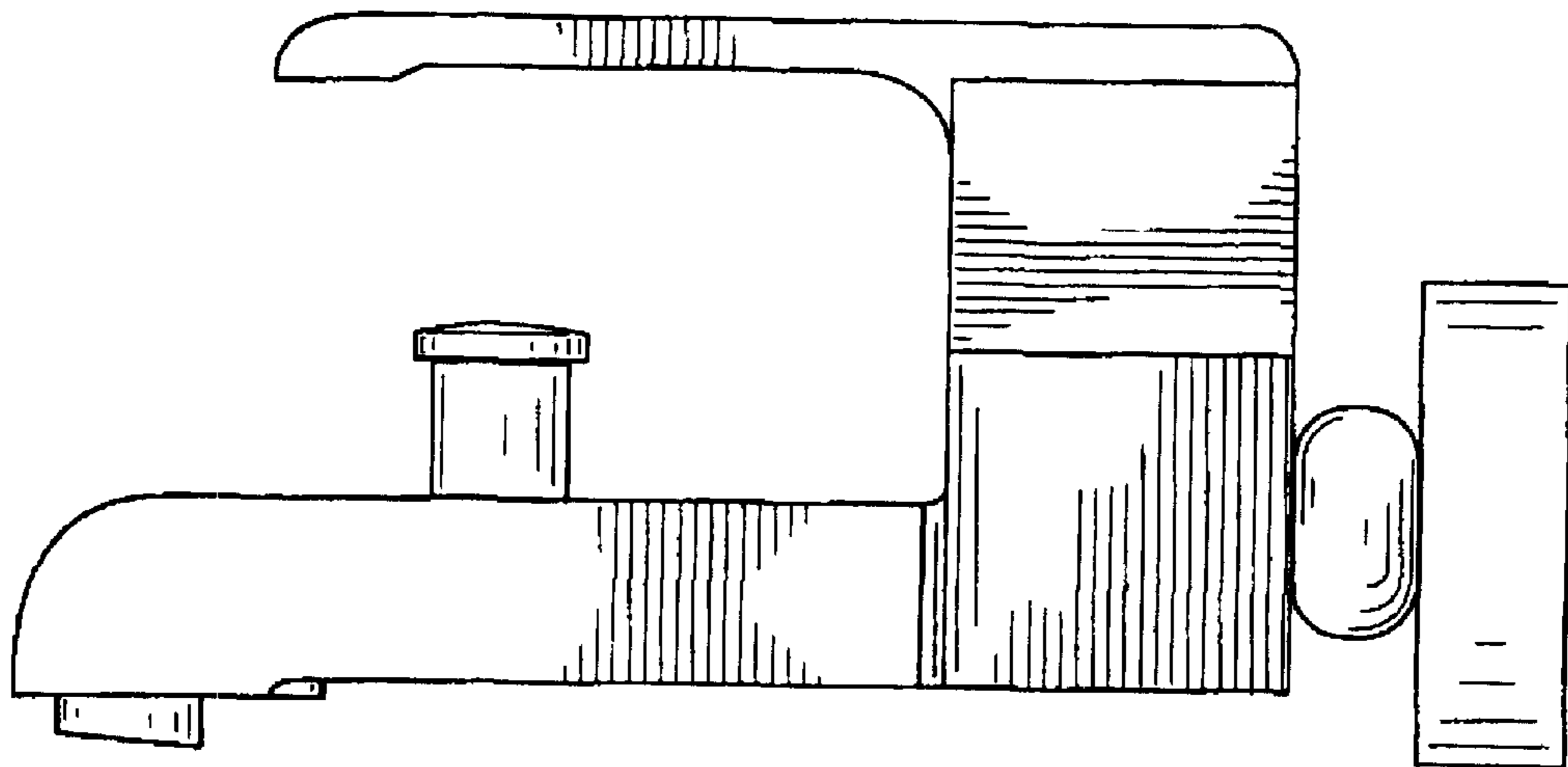
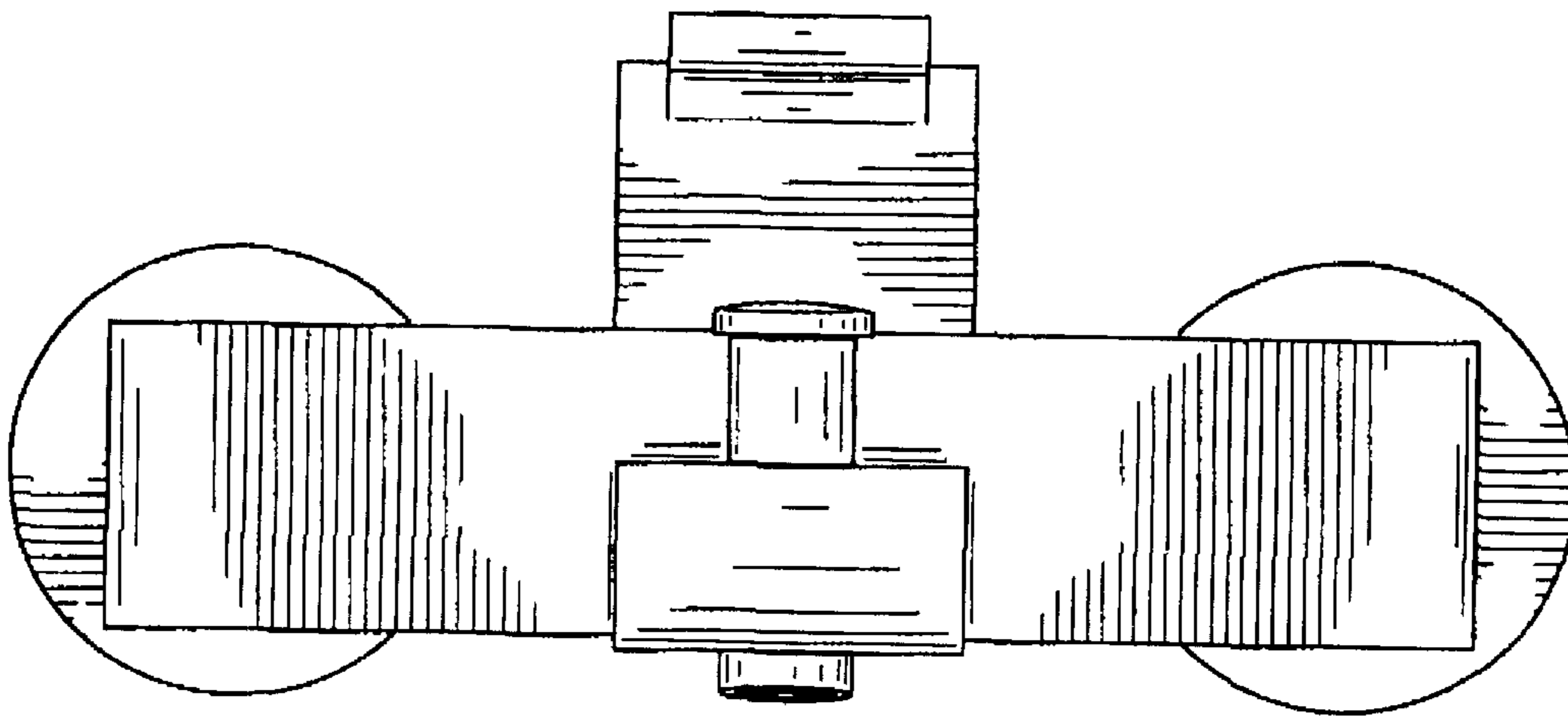
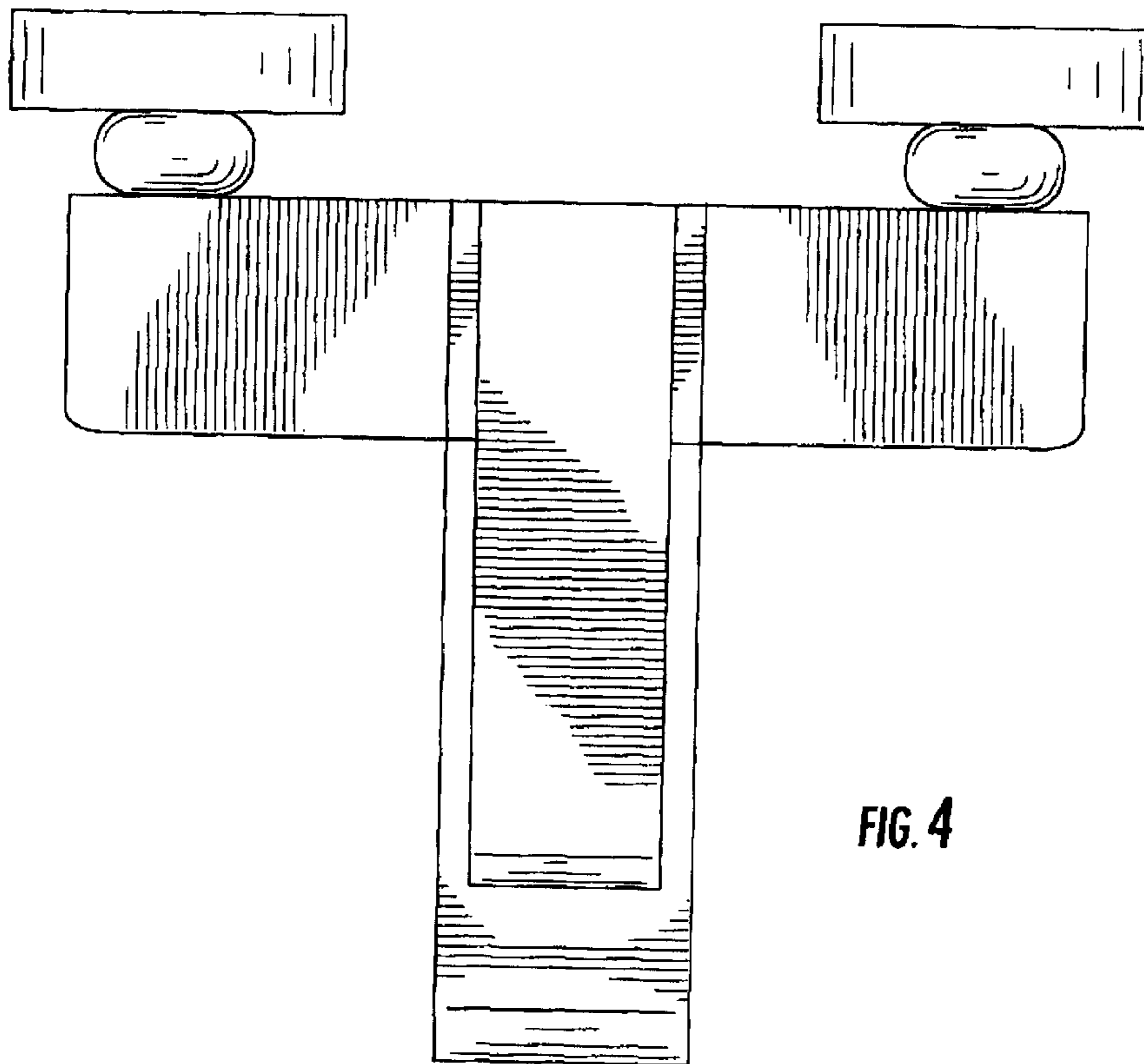


FIG. 2



**FIG. 3**



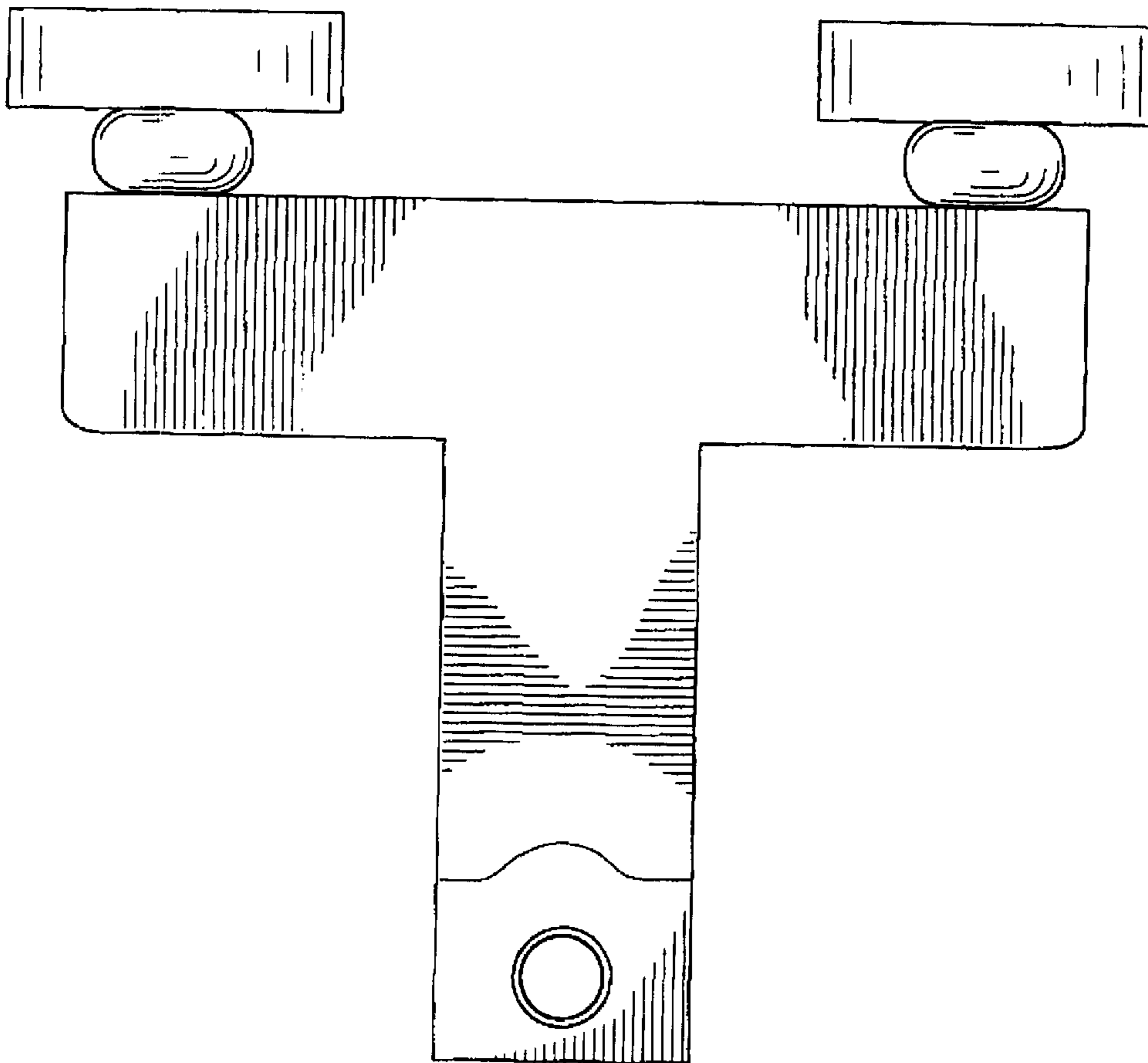


FIG. 5