

US00D540911S

(12) **United States Design Patent**  
**Citterio**

(10) **Patent No.:** **US D540,911 S**

(45) **Date of Patent:** **\*\* Apr. 17, 2007**

(54) **FAUCET ASSEMBLY**

(75) **Inventor:** **Antonio Citterio**, Milan (IT)

(73) **Assignee:** **Hansgrohe AG** (DE)

(\*\*) **Term:** **14 Years**

(21) **Appl. No.:** **29/247,082**

(22) **Filed:** **May 30, 2006**

(30) **Foreign Application Priority Data**

Nov. 29, 2005 (EM) ..... 000438189-0001

(51) **LOC (8) Cl.** ..... **23-01**

(52) **U.S. Cl.** ..... **D23/238**

(58) **Field of Classification Search** ..... D23/238-257;  
4/675-678; 137/801

See application file for complete search history.

(56) **References Cited**

**U.S. PATENT DOCUMENTS**

- D380,036 S \* 6/1997 Short et al. .... D23/252
- D466,979 S \* 12/2002 Shulz ..... D23/238
- D472,308 S \* 3/2003 Hundley ..... D23/255

- D478,652 S \* 8/2003 Lai ..... D23/238
- D516,180 S \* 2/2006 Ouyoung ..... D23/249
- D530,784 S \* 10/2006 Kohler et al. .... D23/238
- D532,483 S \* 11/2006 Lobermeier et al. .... D23/238

\* cited by examiner

*Primary Examiner*—Louis S. Zarfes

*Assistant Examiner*—Gregory Andoll

(74) *Attorney, Agent, or Firm*—Kwadjo Adusei-Poku;  
Lloyd D. Doigan

(57) **CLAIM**

The ornamental design for a faucet assembly, as shown and described.

**DESCRIPTION**

FIG. 1 is a front perspective view of a faucet assembly showing my design;

FIG. 2 is a front elevational view thereof;

FIG. 3 is a rear elevational view thereof;

FIG. 4 is a left side elevational view thereof;

FIG. 5 is a right side elevational view thereof;

FIG. 6 is a top plan view thereof; and,

FIG. 7 is a bottom plan view thereof.

**1 Claim, 7 Drawing Sheets**

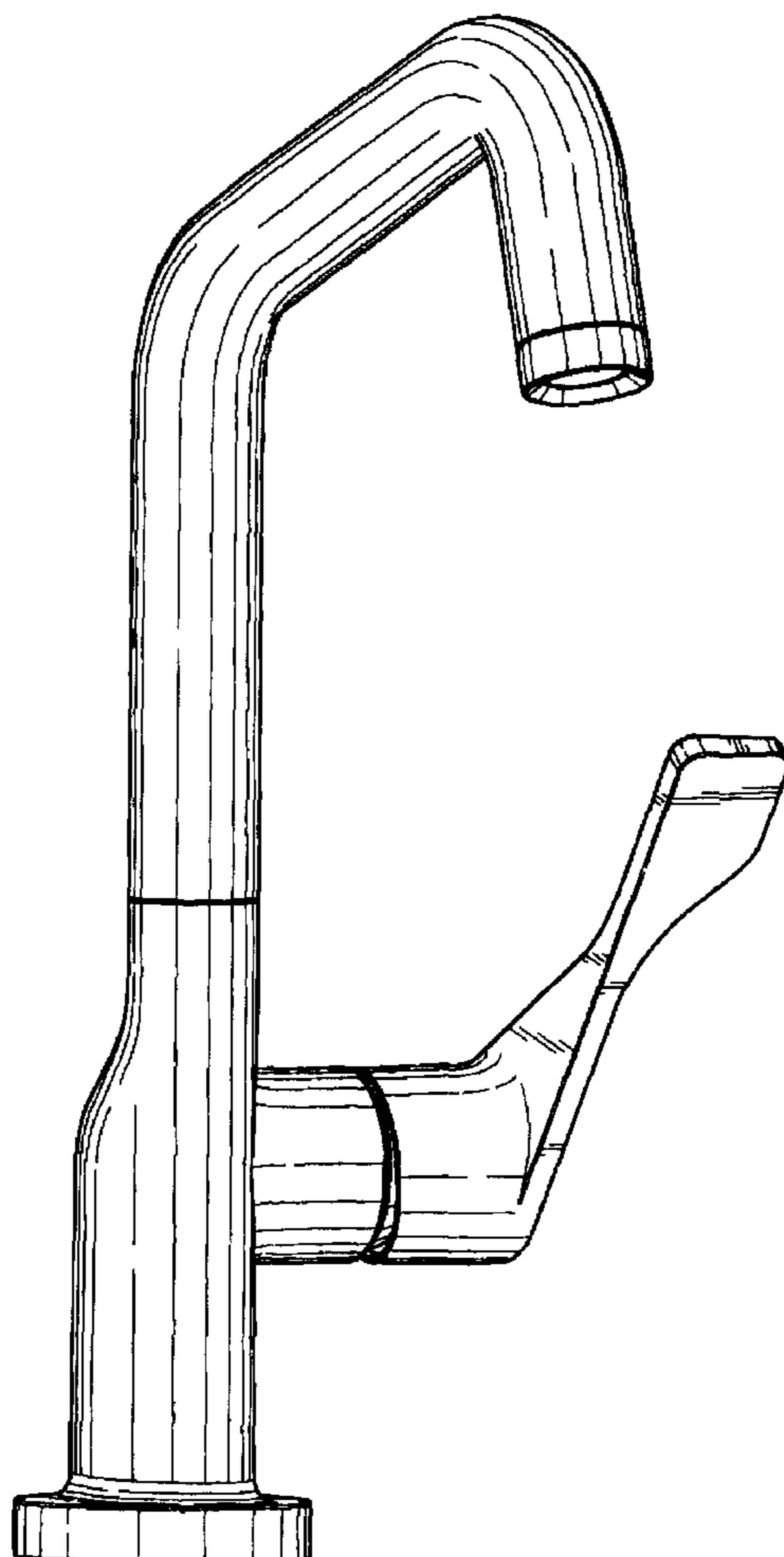
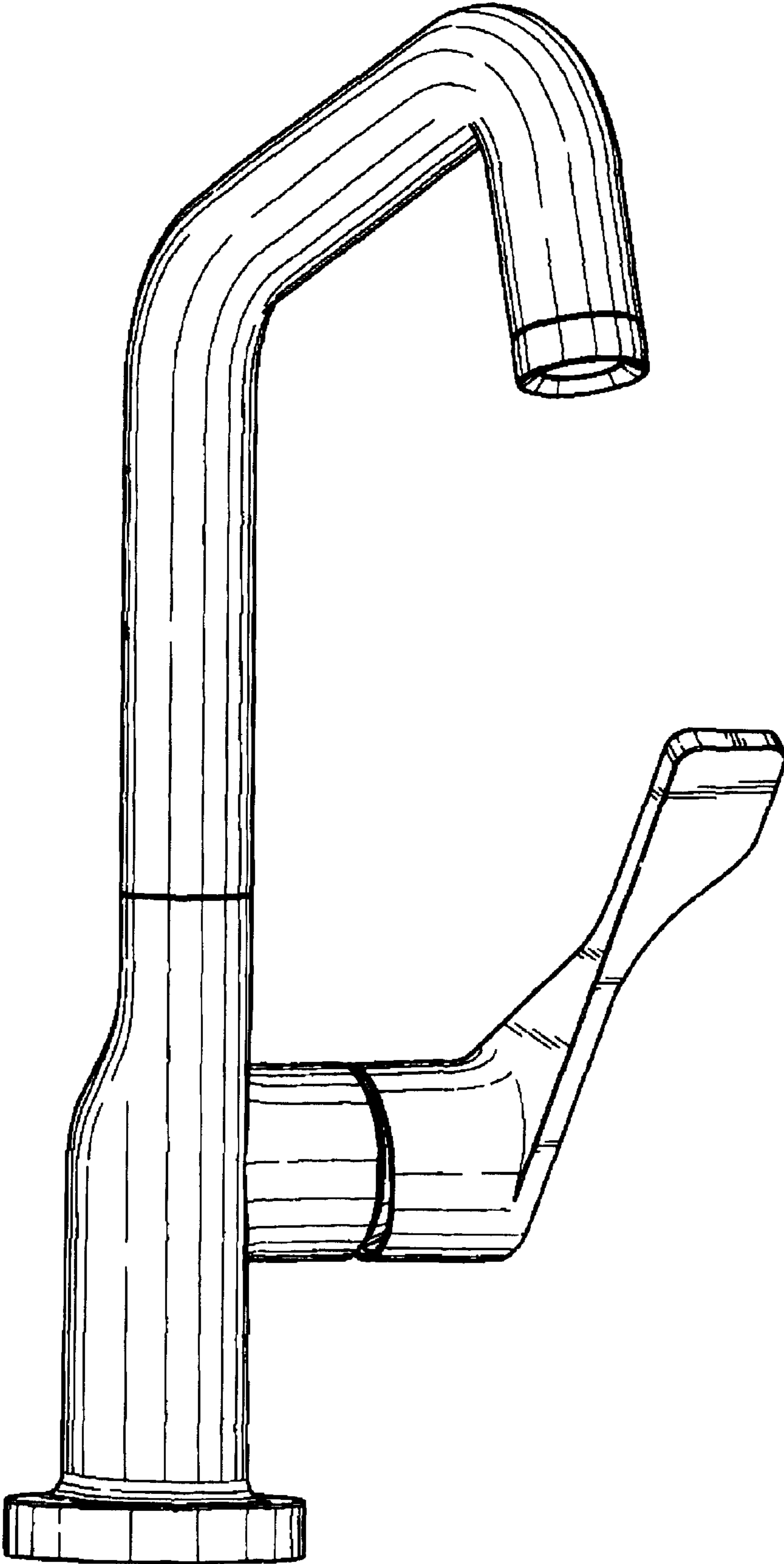


FIG. 1



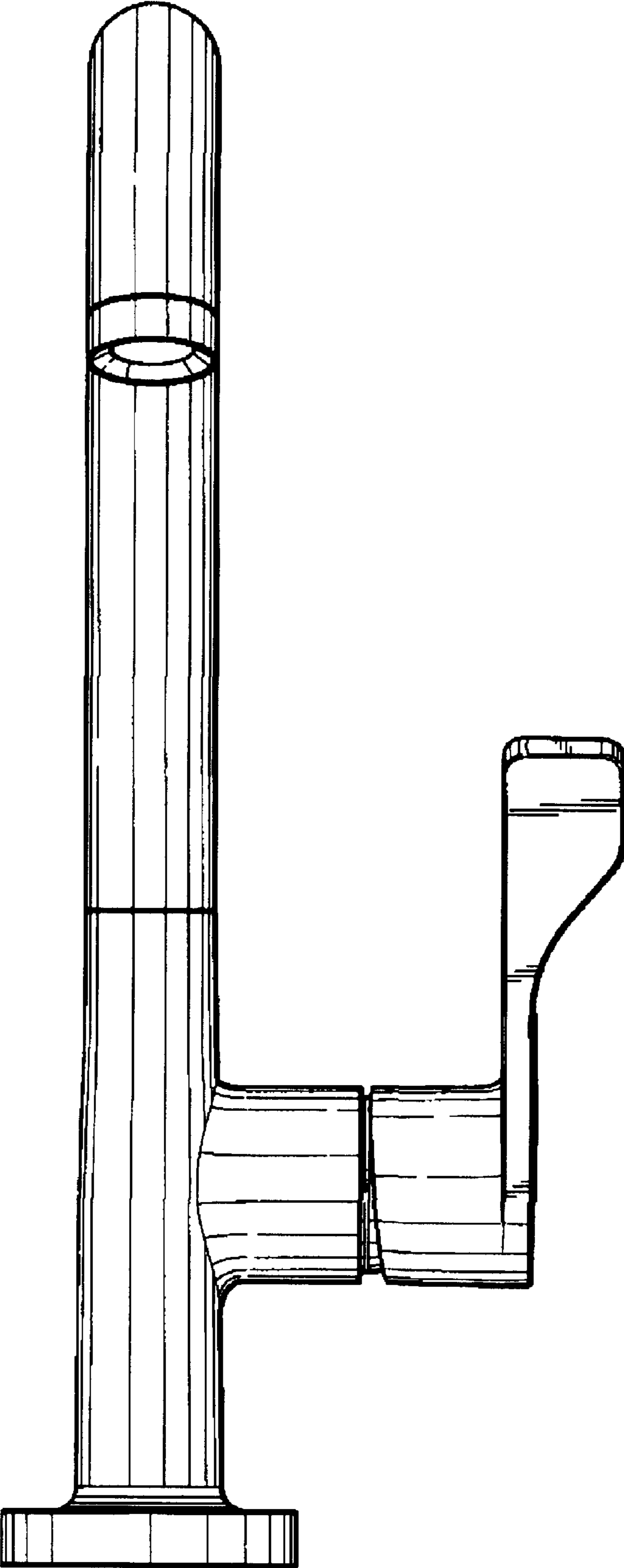


FIG. 2

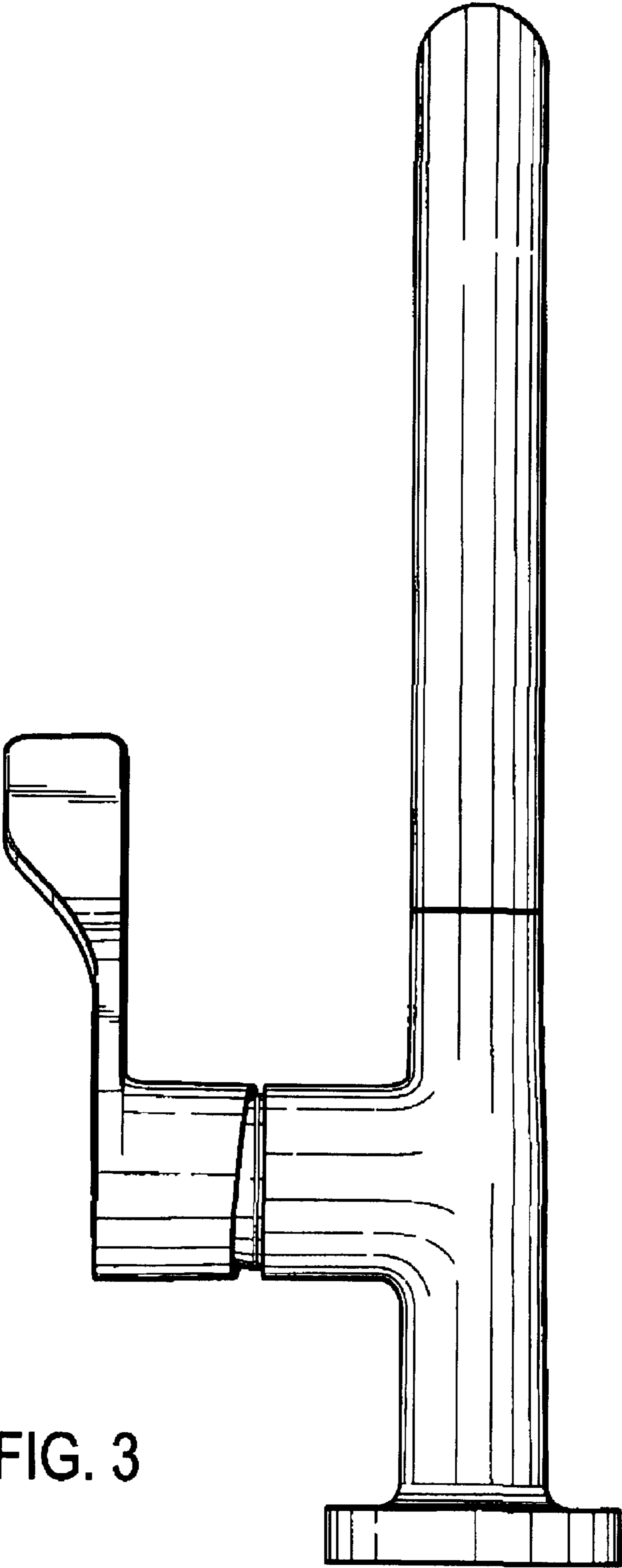


FIG. 3

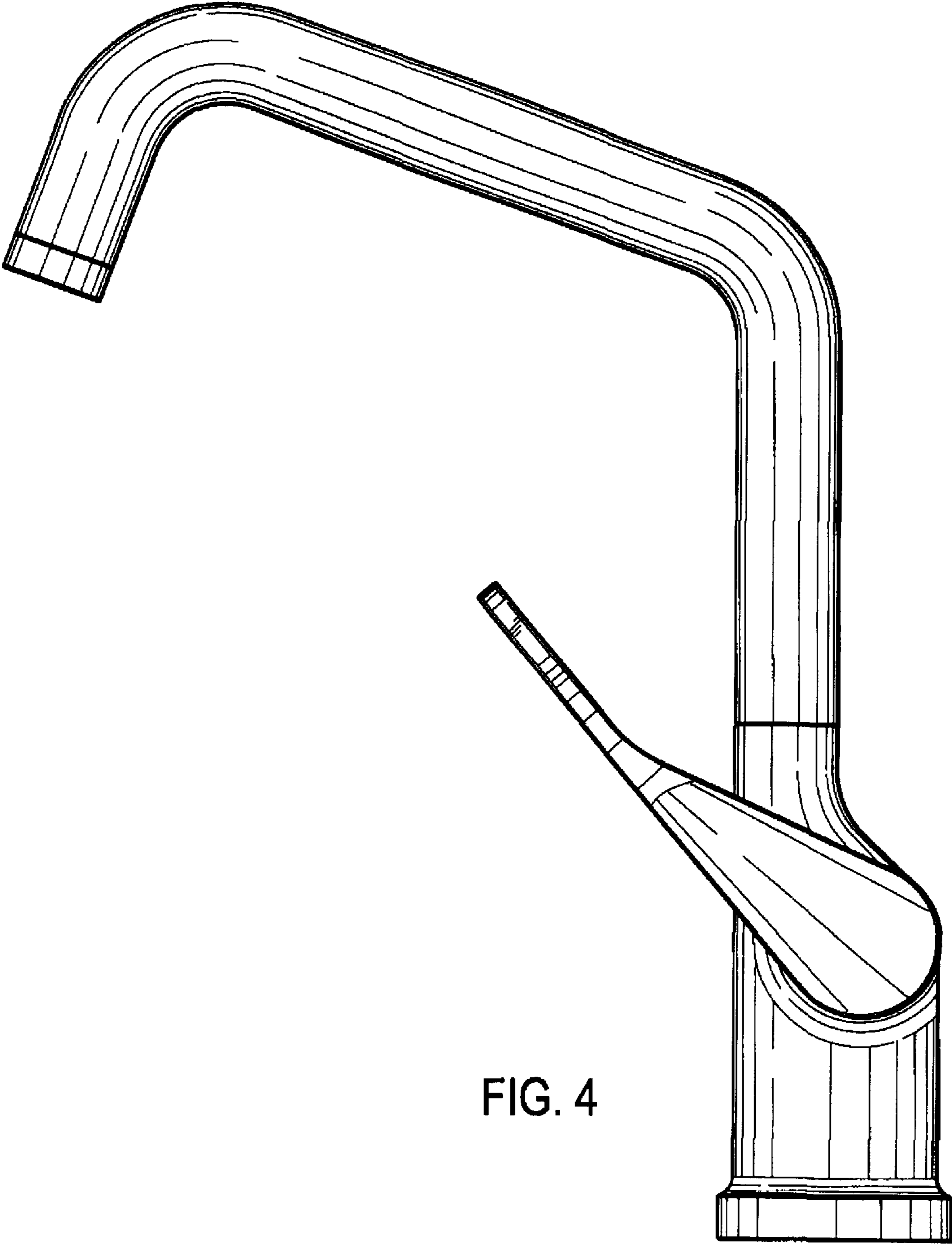


FIG. 4

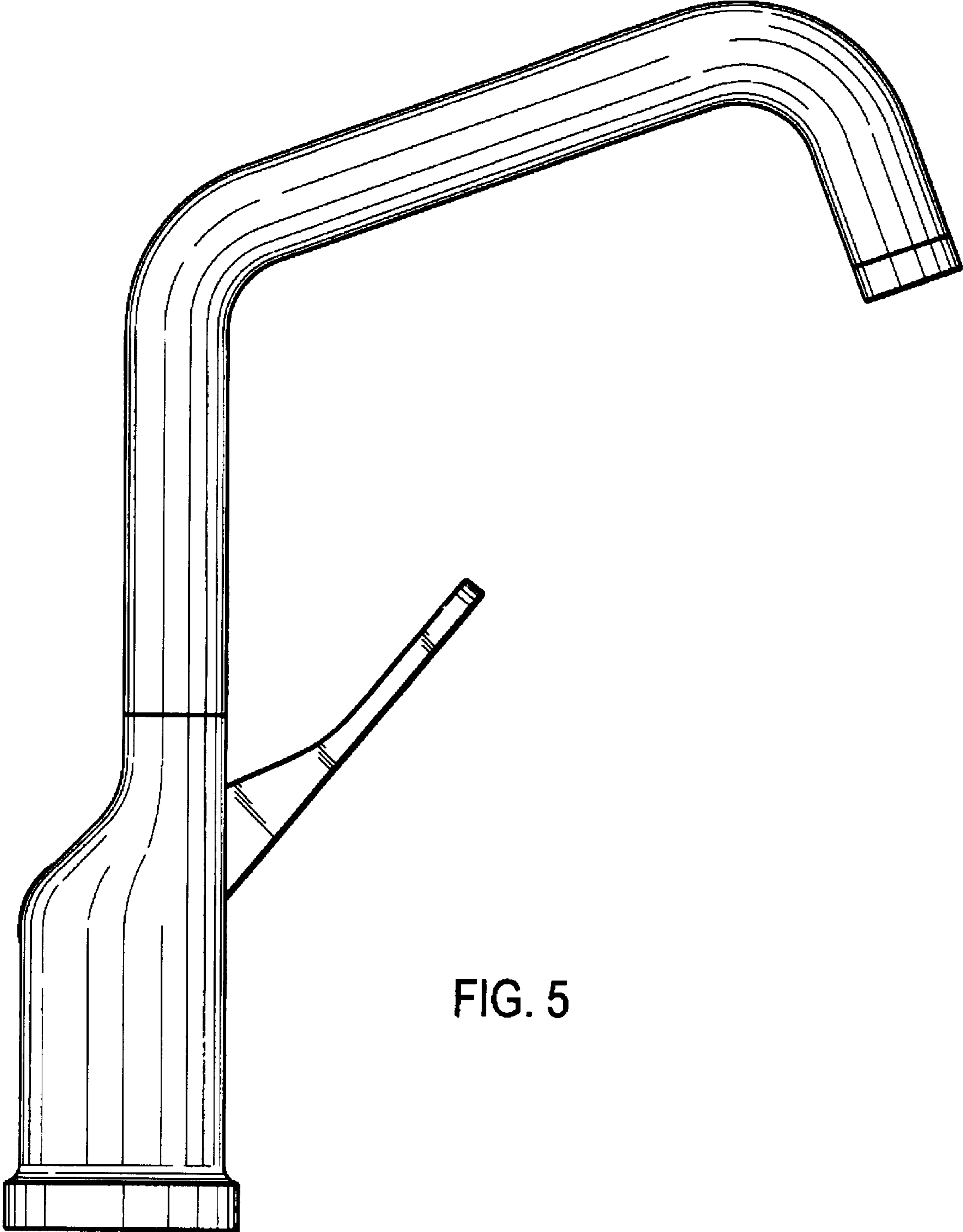


FIG. 5

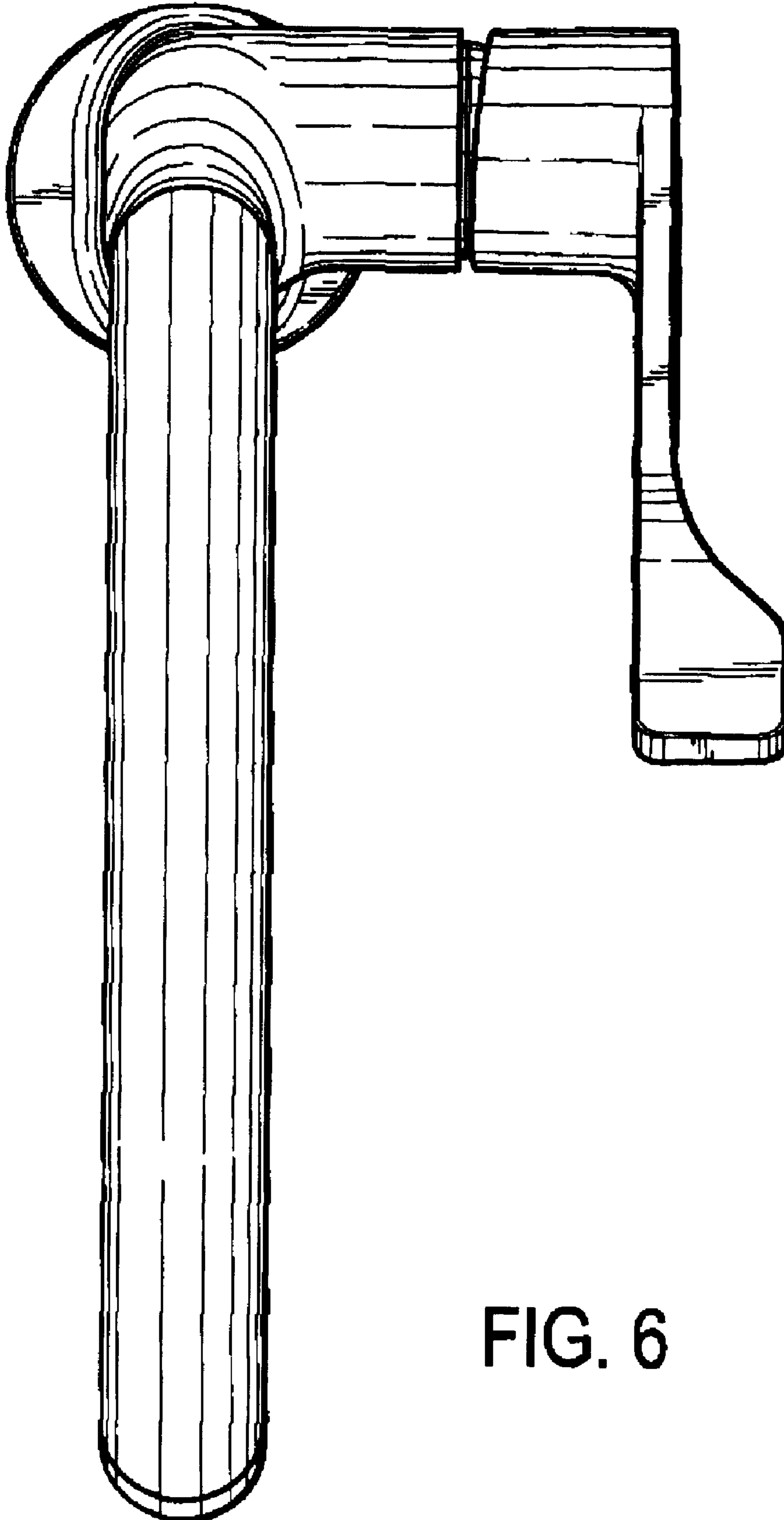


FIG. 6

FIG. 7

