



US00D540909S

(12) **United States Design Patent**
Yu

(10) **Patent No.:** **US D540,909 S**

(45) **Date of Patent:** **** Apr. 17, 2007**

(54) **VEGETABLE SPRAYER**

D475,120 S * 5/2003 Ouyoung D23/226
D486,885 S * 2/2004 Graves et al. D23/223

(75) Inventor: **Ice Yu, Shen Zhen (CN)**

* cited by examiner

(73) Assignee: **Globe Union Industrial Corp.,
Taichung (TW)**

Primary Examiner—Robin Webster

(74) *Attorney, Agent, or Firm*—Leong C. Lei

(**) Term: **14 Years**

(57) **CLAIM**

(21) Appl. No.: **29/232,306**

The ornamental design for a vegetable sprayer, as shown and described.

(22) Filed: **Jun. 17, 2005**

DESCRIPTION

(51) **LOC (8) Cl.** **23-01**

(52) **U.S. Cl.** **D23/226**

(58) **Field of Classification Search** D23/213,
D23/223, 226; 239/525-7

See application file for complete search history.

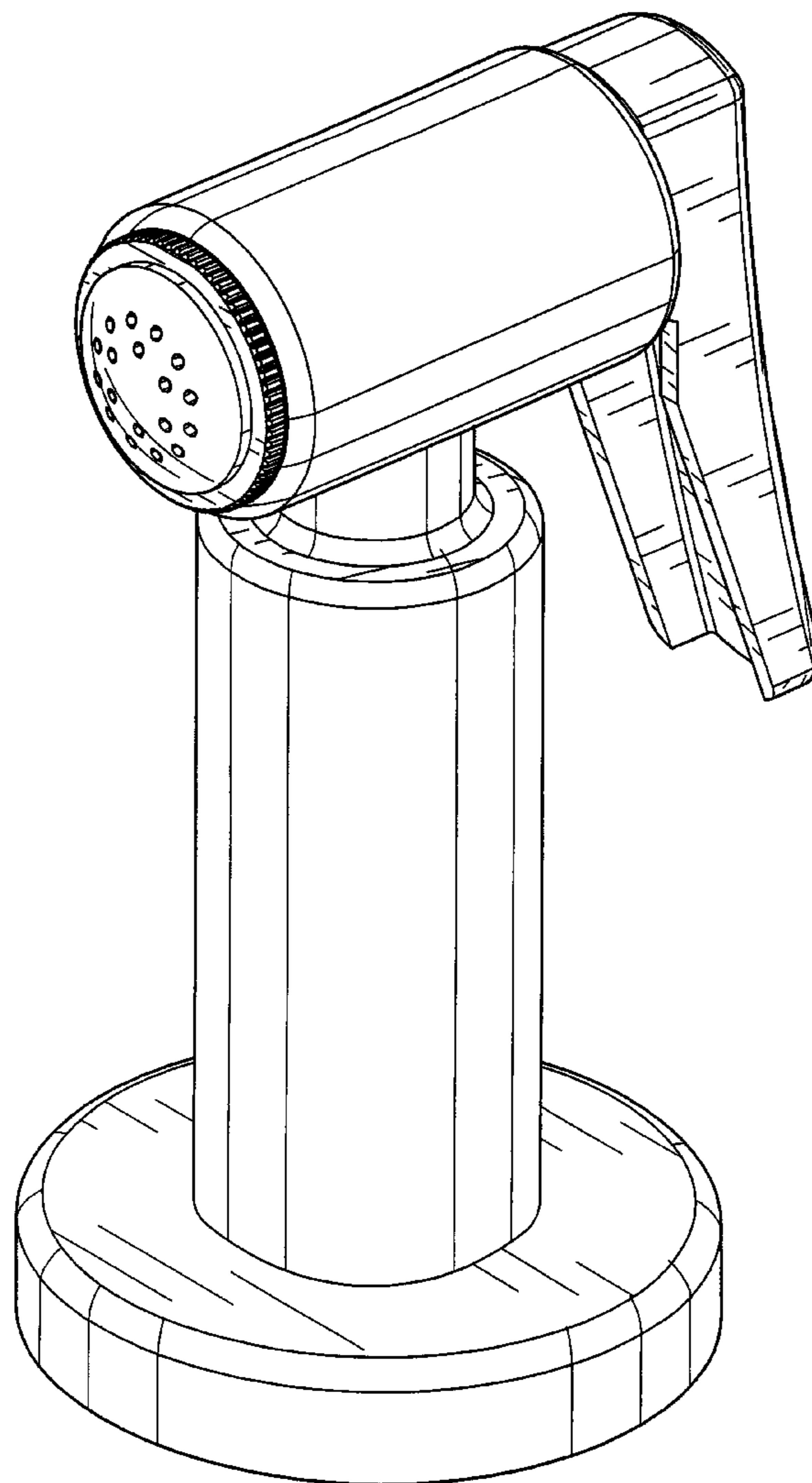
FIG. 1 is a front perspective view of a vegetable sprayer showing my new design;
FIG. 2 is a front elevational view thereof;
FIG. 3 is a rear elevational view thereof;
FIG. 4 is a left side elevational view thereof;
FIG. 5 is a right side elevational view thereof; and,
FIG. 6 is a top plan view thereof.

(56) **References Cited**

U.S. PATENT DOCUMENTS

D471,956 S * 3/2003 Zhao D23/226

1 Claim, 6 Drawing Sheets



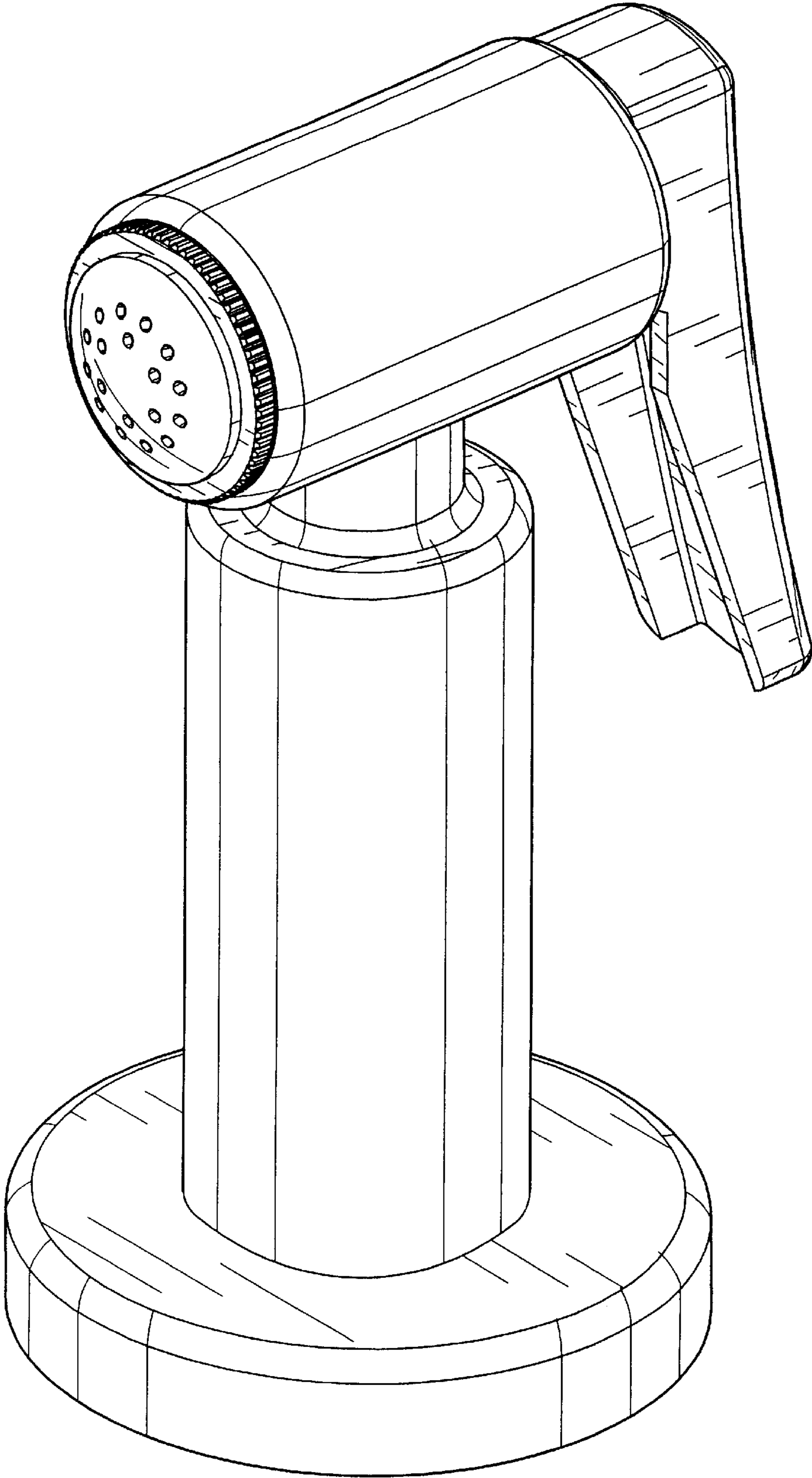


FIG. 1

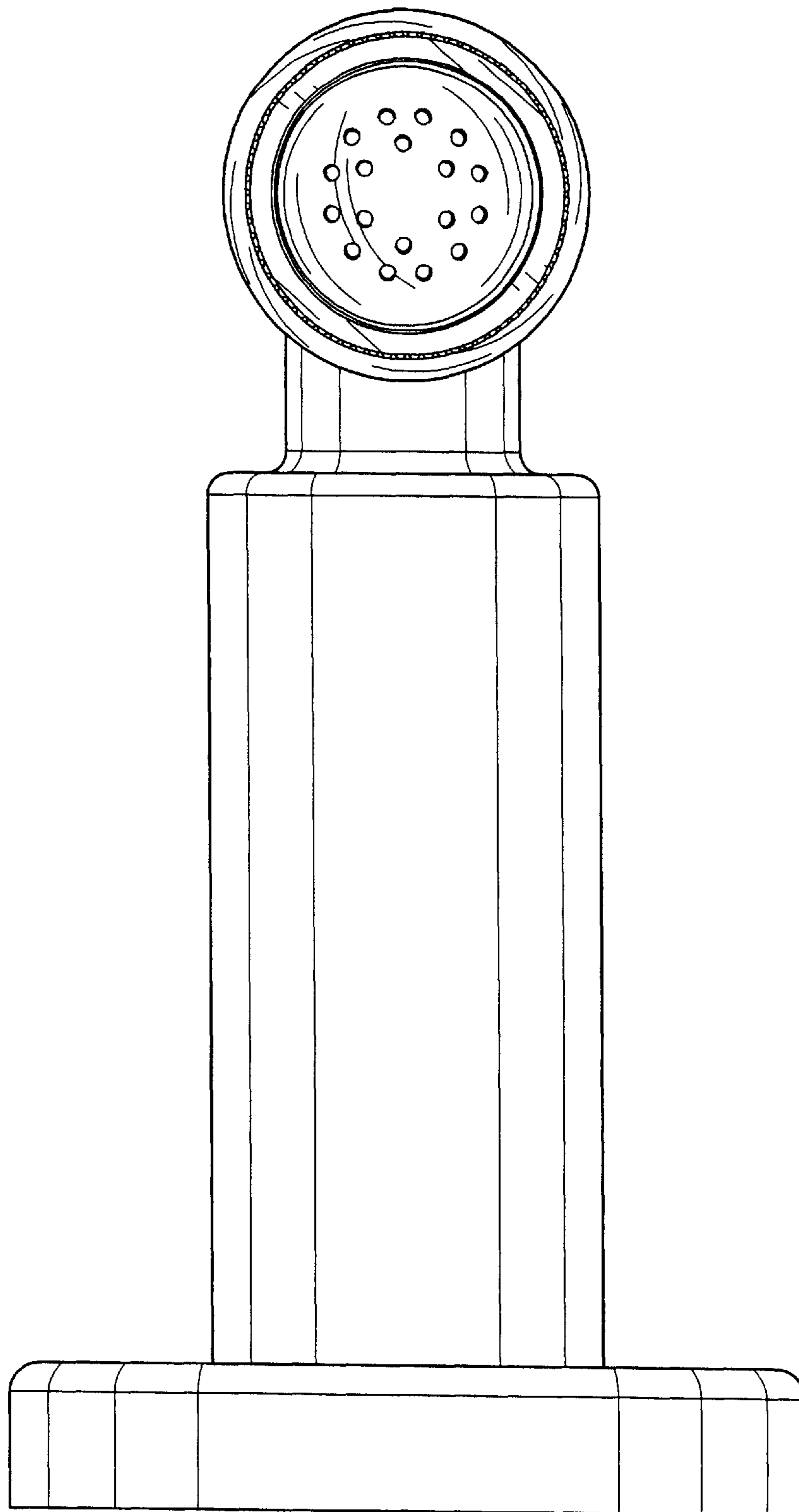


FIG. 2

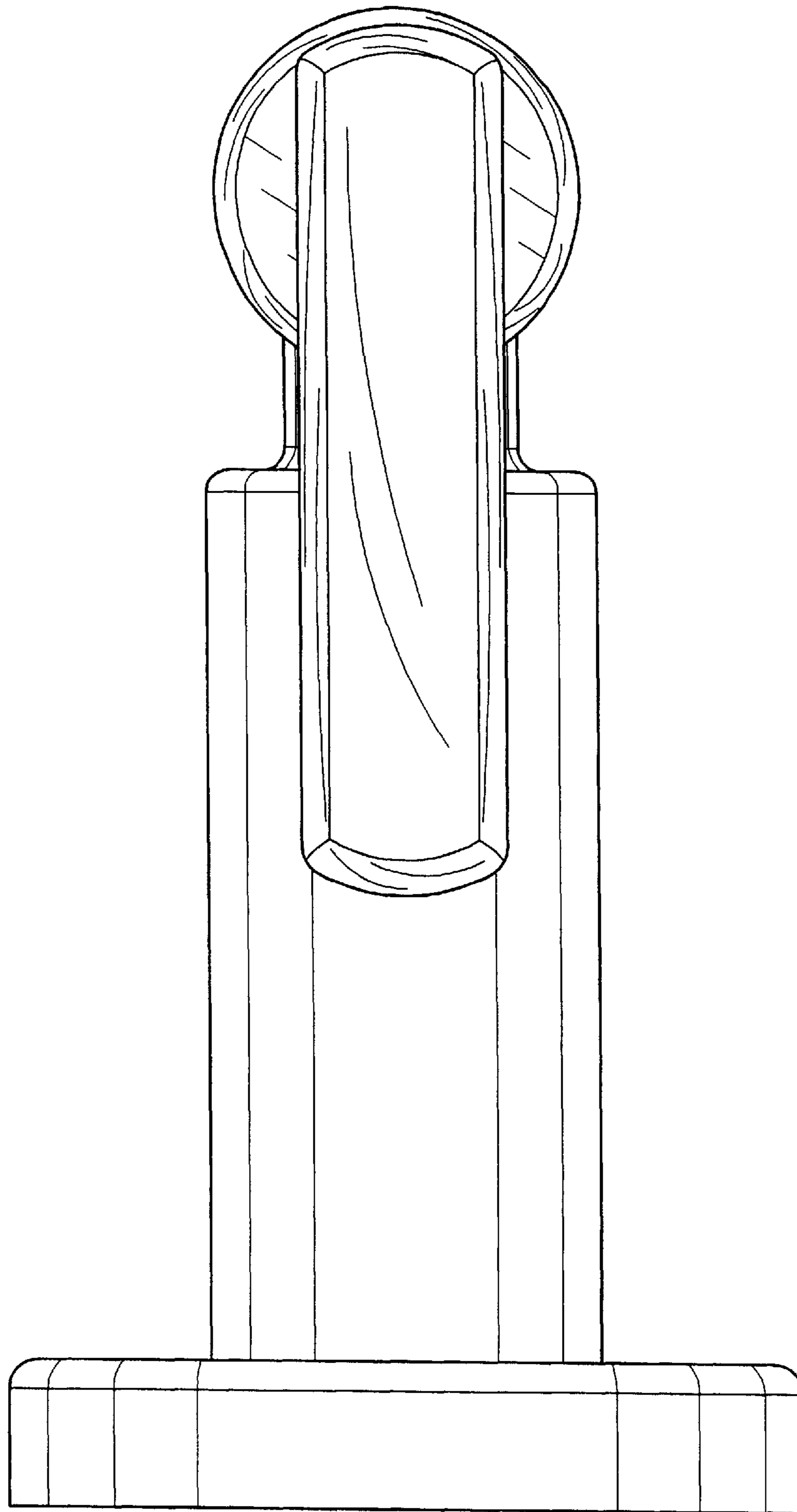


FIG. 3

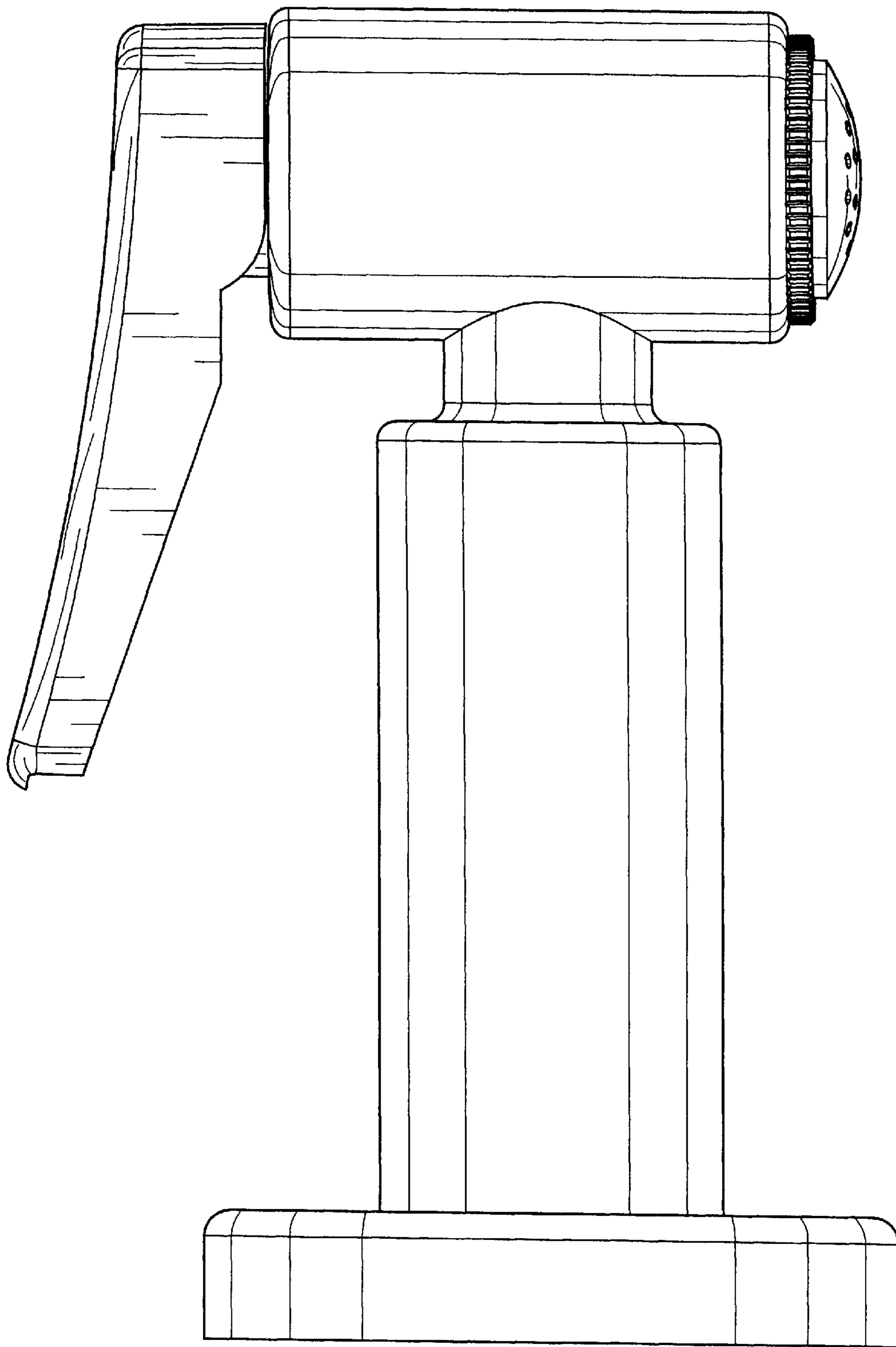


FIG. 4

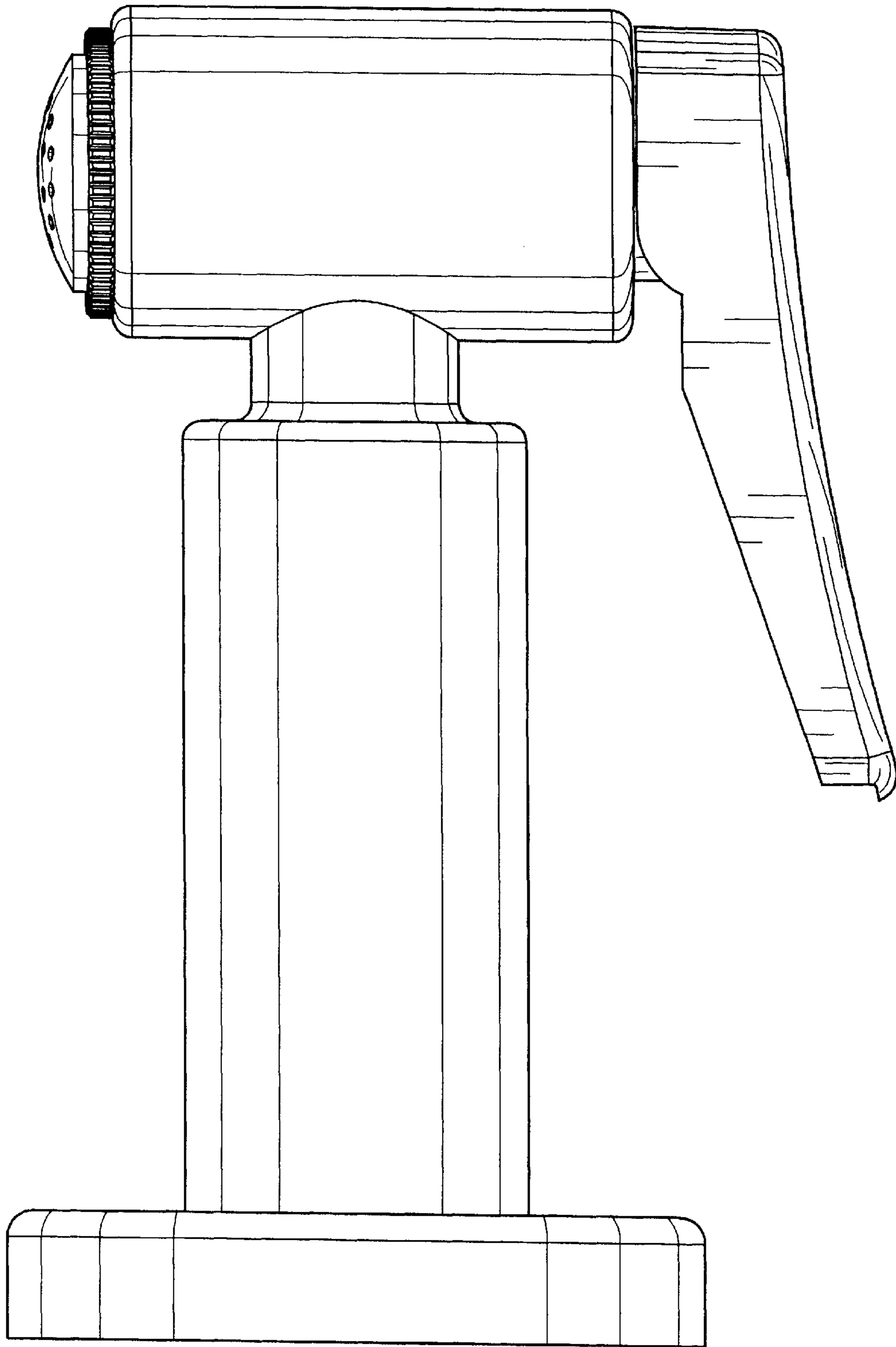


FIG. 5

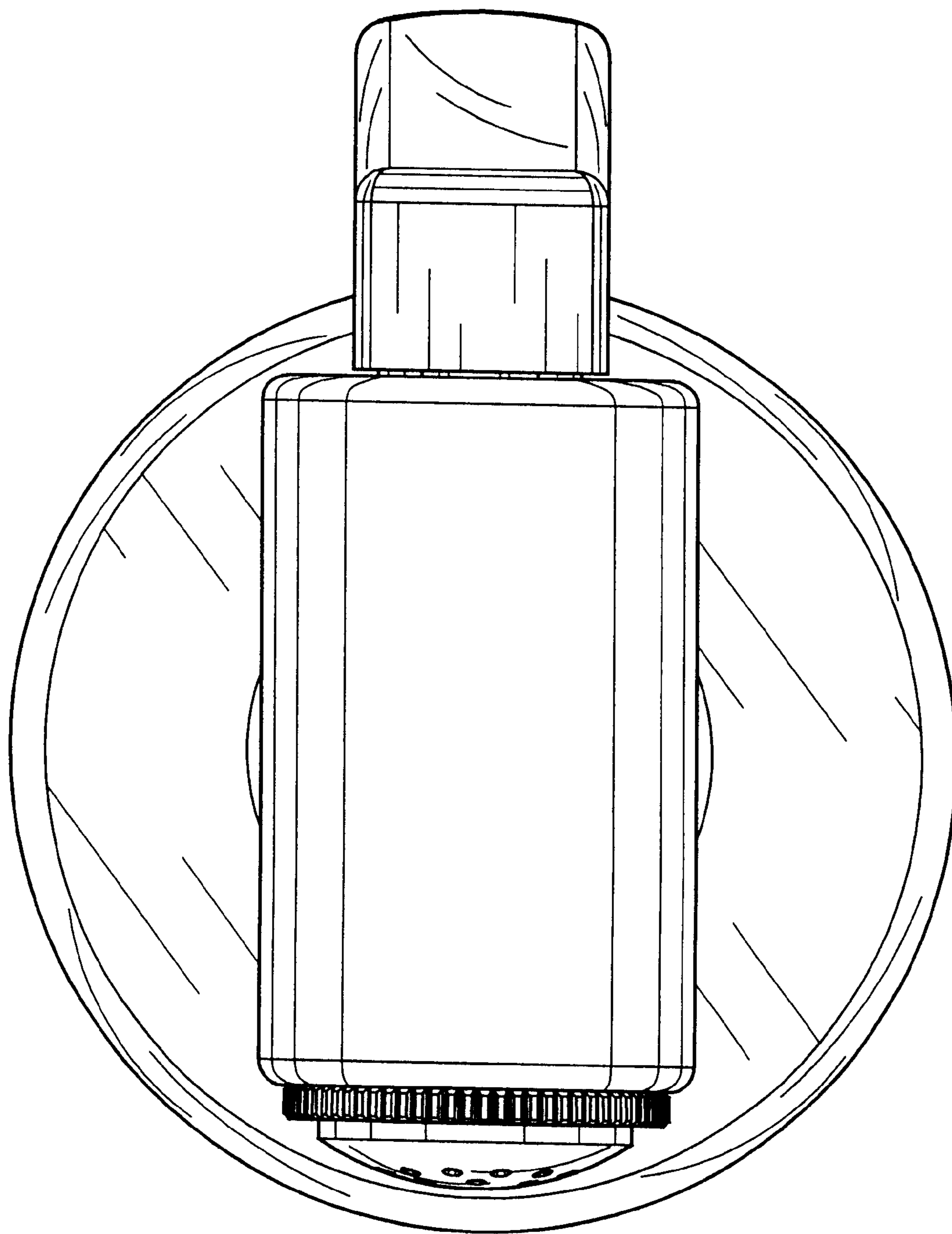


FIG. 6