



US00D540908S

(12) **United States Design Patent**
Py et al.

(10) **Patent No.:** **US D540,908 S**

(45) **Date of Patent:** **** Apr. 17, 2007**

(54) **DISPENSER**

(75) Inventors: **Daniel Py**, Stamford, CT (US);
Norbert M. Assion, Shelton, CT (US);
Stephanie Ferreira, Bridgeport, CT (US)

(73) Assignee: **Medical Instill Technologies, Inc.**,
New Milford, CT (US)

(**) Term: **14 Years**

| | | |
|-------------|---------|------------------|
| 3,412,910 A | 11/1968 | Hahn |
| 3,648,903 A | 3/1972 | Marchant |
| 3,669,323 A | 6/1972 | Harker et al. |
| 3,963,814 A | 6/1976 | Cospen et al. |
| 4,002,516 A | 1/1977 | Gaborieau et al. |
| 4,102,476 A | 7/1978 | Loeffler |
| 4,141,474 A | 2/1979 | Nilson |
| 4,513,891 A | 4/1985 | Hain et al. |
| D288,954 S | 3/1987 | McDermott et al. |
| 4,699,300 A | 10/1987 | Blake |
| 4,737,148 A | 4/1988 | Blake |

(Continued)

(21) Appl. No.: **29/245,663**

(22) Filed: **Dec. 28, 2005**

Related U.S. Application Data

(60) Division of application No. 29/225,228, filed on Mar. 14, 2005, now Pat. No. Des. 518,144, which is a division of application No. 29/200,756, filed on Mar. 3, 2004, now Pat. No. Des. 518,872, which is a division of application No. 29/174,936, filed on Jan. 27, 2003, now Pat. No. Des. 504,713, which is a continuation-in-part of application No. 10/272,577, filed on Oct. 16, 2002, now Pat. No. 6,957,752.

(51) **LOC (8) Cl.** **23-01**

(52) **U.S. Cl.** **D23/213; D24/112**

(58) **Field of Classification Search** **D23/213;**
D24/112, 114; 222/386

See application file for complete search history.

(56) **References Cited**

U.S. PATENT DOCUMENTS

| | | |
|-------------|---------|------------|
| 2,128,035 A | 8/1938 | Boetel |
| 2,695,735 A | 11/1954 | Van Doomik |

FOREIGN PATENT DOCUMENTS

| | | |
|----|------------|--------|
| EP | 0649795 B1 | 6/1999 |
| EP | 0673852 B1 | 2/2000 |

Primary Examiner—Robin Webster

(74) *Attorney, Agent, or Firm*—McCarter & English, LLP

(57) **CLAIM**

We claim, the ornamental design for a dispenser, as shown and described.

DESCRIPTION

FIG. 1 is a side perspective view of a dispenser showing our new design;

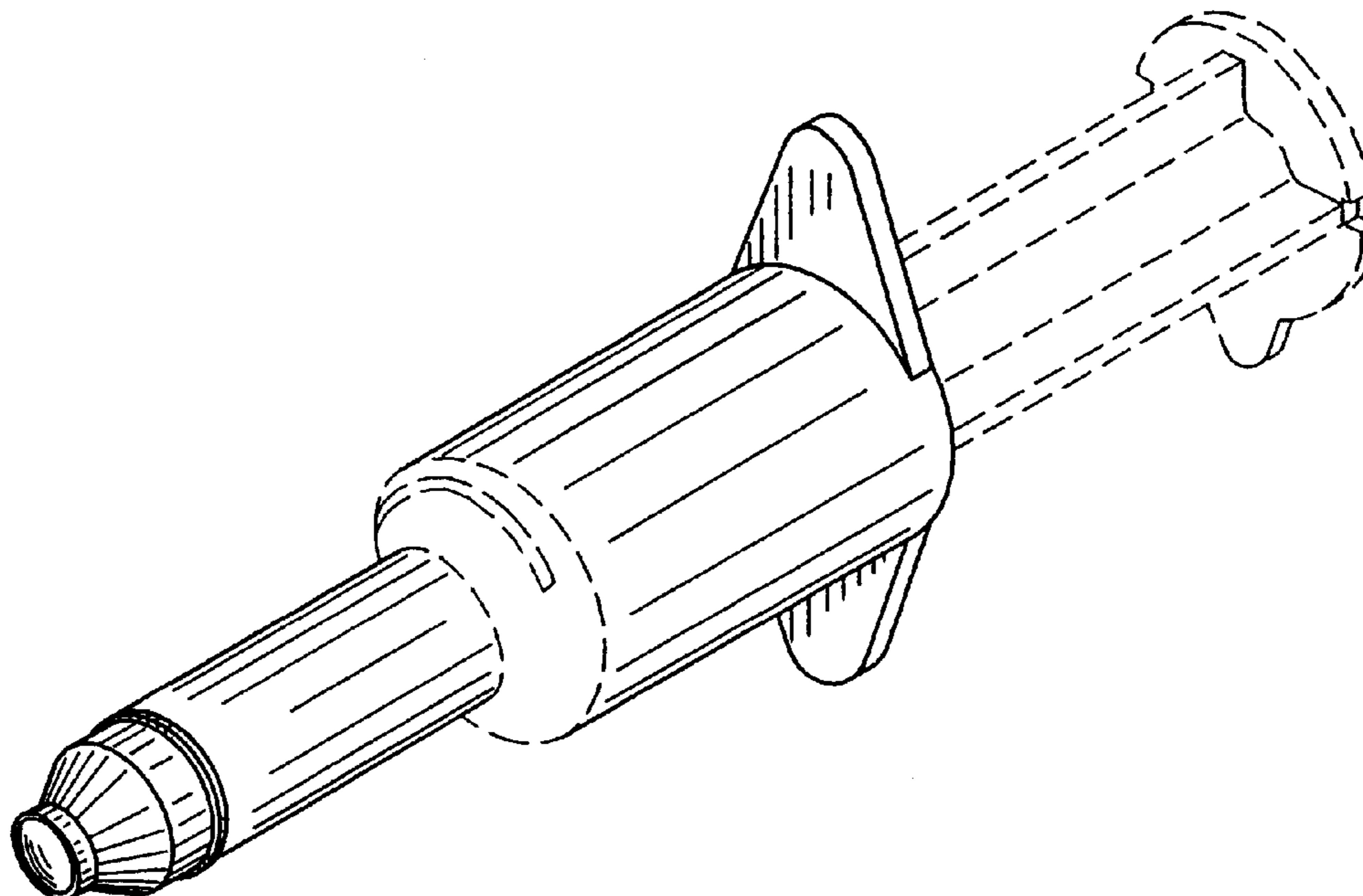
FIG. 2 is a bottom plan view of the dispenser of FIG. 1;

FIG. 3 is a side view of the dispenser of FIG. 1; and,

FIG. 4 is a top plan view of the dispenser of FIG. 1.

The broken line showing is for illustrative purposes only and forms no part of the claimed design.

1 Claim, 2 Drawing Sheets



US D540,908 S

Page 2

U.S. PATENT DOCUMENTS

| | | | | | |
|-------------|---------|------------------|----------------|---------|---------------------------|
| 4,739,906 A | 4/1988 | LoTurco | 5,743,441 A | 4/1998 | Baudin et al. |
| 4,842,165 A | 6/1989 | Van Coney | 5,759,218 A | 6/1998 | Martin et al. |
| 4,895,279 A | 1/1990 | Schultz | 5,799,837 A | 9/1998 | Firestone et al. |
| 4,923,480 A | 5/1990 | Monestere | 5,823,397 A | 10/1998 | Gil |
| 4,949,877 A | 8/1990 | Hanna et al. | 5,855,302 A | 1/1999 | Fischer |
| 4,978,036 A | 12/1990 | Burd | 5,899,624 A | 5/1999 | Thompson |
| 5,033,647 A | 7/1991 | Smith et al. | 5,921,989 A | 7/1999 | Deacon et al. |
| 5,083,416 A | 1/1992 | Schneider et al. | 5,934,500 A | 8/1999 | Cogger et al. |
| 5,108,007 A | 4/1992 | Smith et al. | 6,050,444 A | 4/2000 | Sugg |
| 5,178,300 A | 1/1993 | Haviv et al. | 6,053,370 A | 4/2000 | Ludbrook et al. |
| 5,197,638 A | 3/1993 | Wood | 6,062,437 A | 5/2000 | Mascitelli |
| 5,226,568 A | 7/1993 | Newton et al. | 6,083,450 A | 7/2000 | Safian |
| 5,257,726 A | 11/1993 | Graf et al. | 6,145,707 A | 11/2000 | Baudin |
| 5,318,204 A | 6/1994 | Davis et al. | 6,170,705 B1 | 1/2001 | Schneider et al. |
| 5,320,256 A | 6/1994 | Wood | 6,202,901 B1 | 3/2001 | Gerber et al. |
| 5,320,845 A | 6/1994 | Py | 6,254,579 B1 | 7/2001 | Cogger et al. |
| 5,332,121 A | 7/1994 | Schmidt et al. | 6,267,768 B1 | 7/2001 | Deacon et al. |
| 5,339,972 A | 8/1994 | Crosnier et al. | 6,283,976 B1 | 9/2001 | Portney |
| 5,416,303 A | 5/1995 | Grooms et al. | 6,301,767 B1 | 10/2001 | Granger et al. |
| 5,489,026 A | 2/1996 | D'Aloia | 6,306,423 B1 | 10/2001 | Donovan et al. |
| 5,489,027 A | 2/1996 | Goerigk | D451,196 S * | 11/2001 | Block et al. D24/133 |
| 5,497,910 A | 3/1996 | Meadows et al. | 6,312,708 B1 | 11/2001 | Donovan |
| D372,070 S | 7/1996 | Zak et al. | 6,325,253 B1 | 12/2001 | Robinson |
| 5,556,678 A | 9/1996 | Jupin et al. | 6,338,200 B1 * | 1/2002 | Baxa et al. 33/494 |
| 5,564,596 A | 10/1996 | Meadows et al. | 6,351,924 B1 | 3/2002 | Gustafsson et al. |
| 5,582,330 A | 12/1996 | Iba | 6,383,509 B1 | 5/2002 | Donovan et al. |
| 5,609,273 A | 3/1997 | Firestone et al. | 6,386,395 B1 | 5/2002 | Lunghetti |
| 5,664,704 A | 9/1997 | Meadows et al. | 6,428,545 B2 | 8/2002 | Portney |
| 5,692,651 A | 12/1997 | Fuchs | 6,446,844 B1 | 9/2002 | Gross |
| 5,718,334 A | 2/1998 | Demel | 6,450,994 B1 | 9/2002 | Boyles et al. |
| 5,727,892 A | 3/1998 | Baudin | 6,547,101 B1 * | 4/2003 | Sogaro 222/137 |
| 5,730,322 A | 3/1998 | Iba et al. | | | |

* cited by examiner

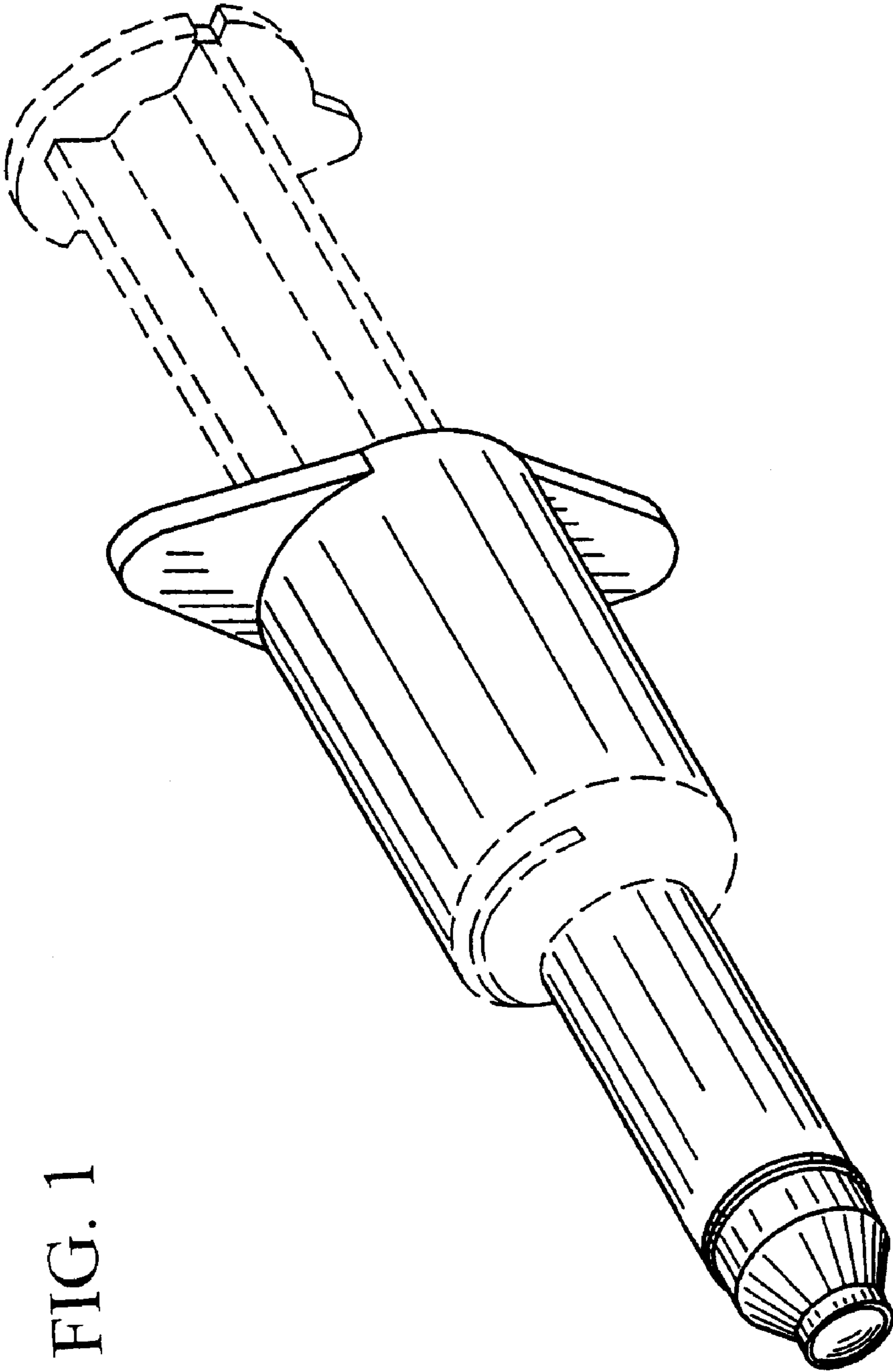


FIG. 1

FIG. 4

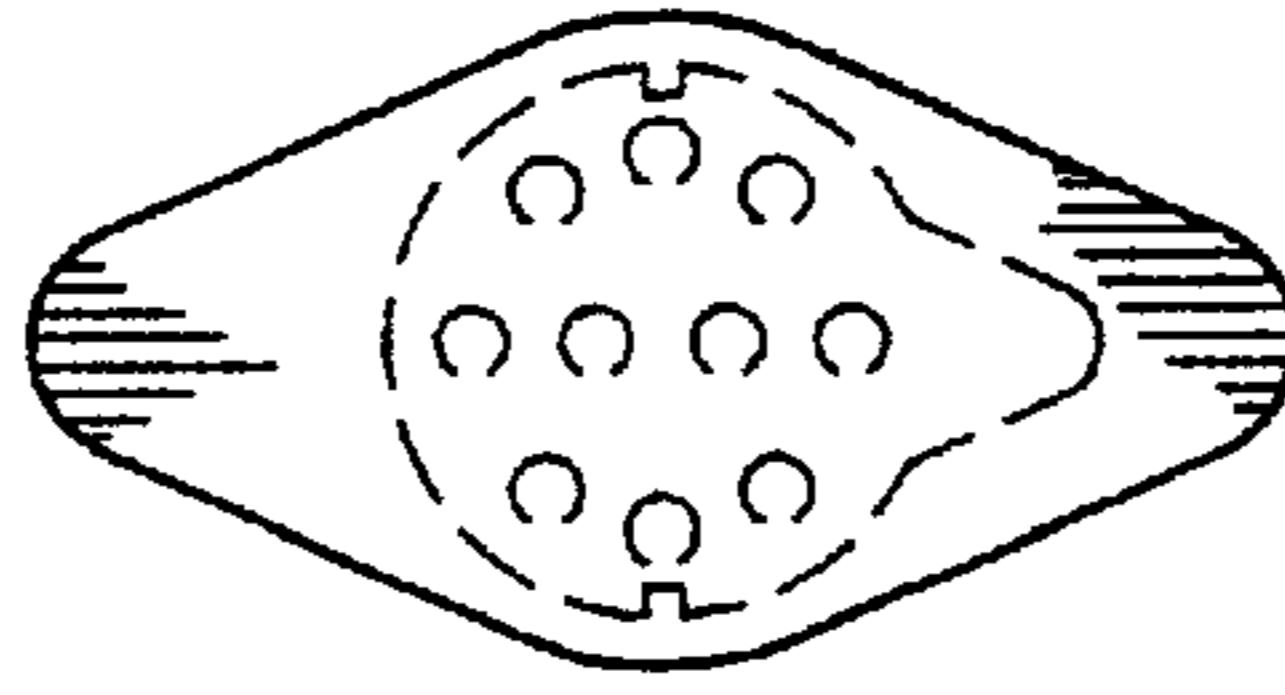


FIG. 3

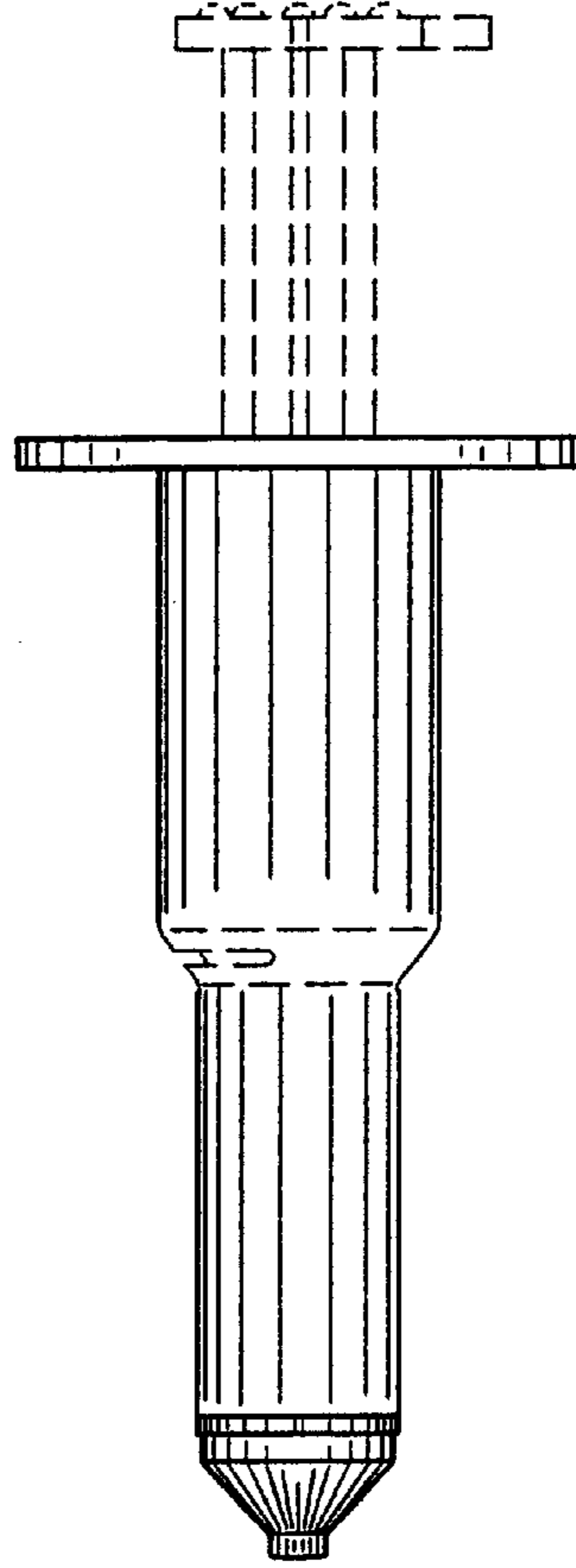
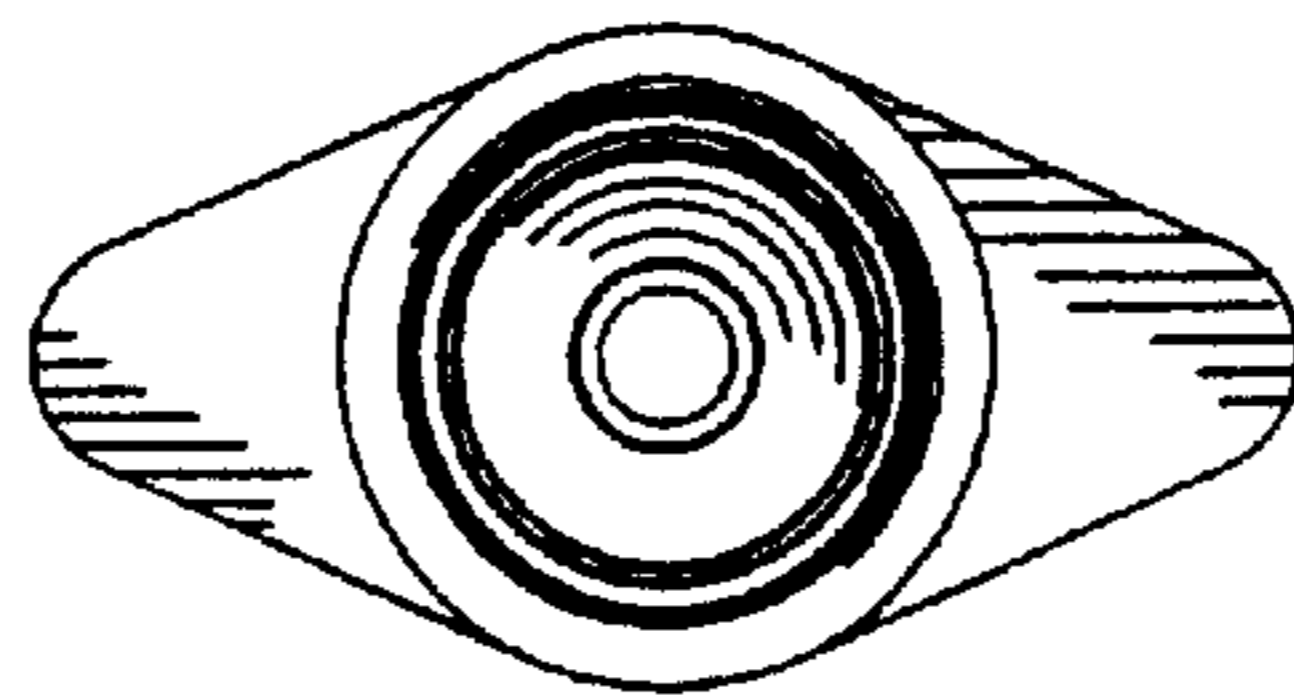


FIG. 2



UNITED STATES PATENT AND TRADEMARK OFFICE
CERTIFICATE OF CORRECTION

PATENT NO. : Des. 540,908 S
APPLICATION NO. : 29/245663
DATED : April 17, 2007
INVENTOR(S) : Daniel Pry and Norbert M. Assion

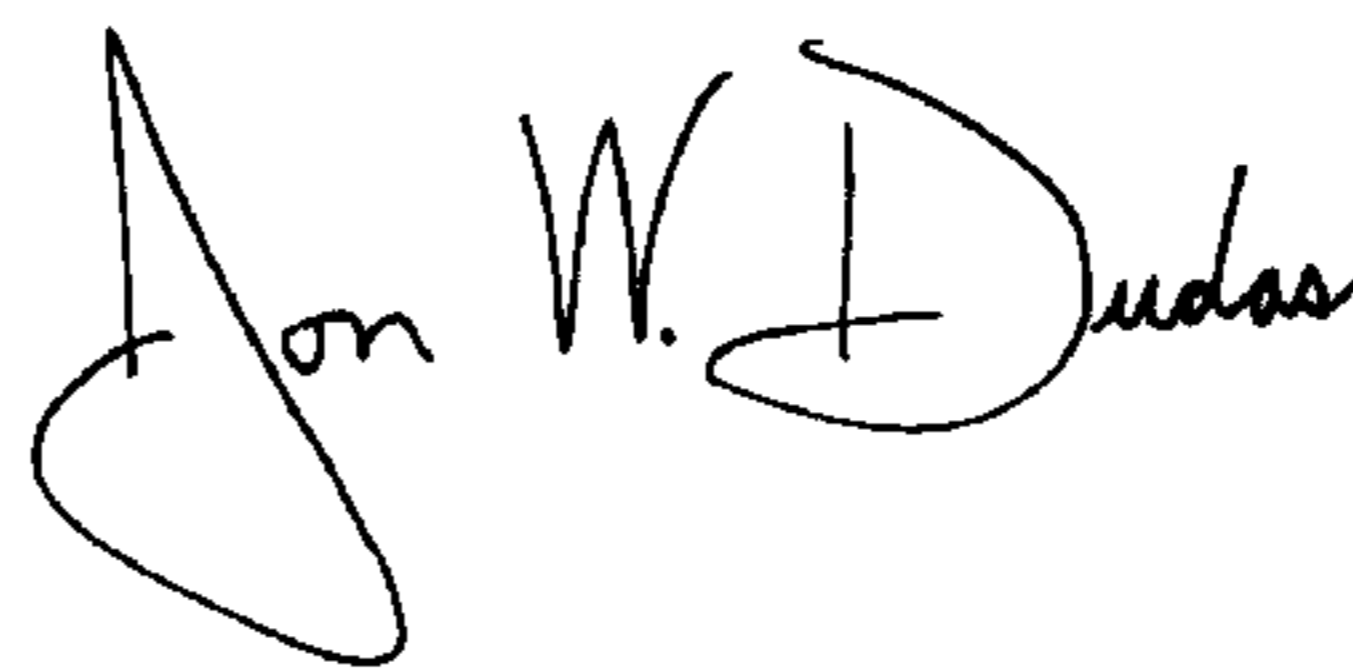
Page 1 of 1

It is certified that error appears in the above-identified patent and that said Letters Patent is hereby corrected as shown below:

Title Page, [75] Inventors, delete “Stephanie Ferreira, Bridgeport, CT (US)”;

Signed and Sealed this

Seventeenth Day of June, 2008

A handwritten signature in black ink that reads "Jon W. Dudas". The signature is written in a cursive style with a large, looped initial "J".

JON W. DUDAS

Director of the United States Patent and Trademark Office

UNITED STATES PATENT AND TRADEMARK OFFICE
CERTIFICATE OF CORRECTION

PATENT NO. : Des. 540,908 S
APPLICATION NO. : 29/245663
DATED : April 17, 2007
INVENTOR(S) : Daniel Py and Norbert M. Assion

Page 1 of 1

It is certified that error appears in the above-identified patent and that said Letters Patent is hereby corrected as shown below:

Title Page, [75] Inventors, delete “Stephanie Ferreira, Bridgeport, CT (US)”;

This certificate supersedes the Certificate of Correction issued June 17, 2008.

Signed and Sealed this

Twenty-sixth Day of August, 2008

A handwritten signature in black ink that reads "Jon W. Dudas". The signature is written in a cursive style with a large, stylized initial 'J'.

JON W. DUDAS
Director of the United States Patent and Trademark Office