



US00D540907S

(12) **United States Design Patent**  
**Liu**

(10) **Patent No.:** **US D540,907 S**  
(45) **Date of Patent:** **\*\* Apr. 17, 2007**

(54) **LIQUID TOILET BOWL CLEANER**

D508,549 S \* 8/2005 Keramidas ..... D23/208  
6,976,277 B2 \* 12/2005 Keramidas ..... 4/231

(76) Inventor: **Junwu Liu**, 466 Tonjiang Grand  
Avenue, Hi-tech Development Zone,  
Changzhou City, Jiangsu Province (CN)

\* cited by examiner

(\*\*) Term: **14 Years**

*Primary Examiner*—Robin Webster  
(74) *Attorney, Agent, or Firm*—Gottlieb, Rackman &  
Reisman

(21) Appl. No.: **29/238,549**

(57) **CLAIM**

(22) Filed: **Sep. 16, 2005**

The ornamental design for a liquid toilet bowl cleaner, as  
shown and described.

(51) **LOC (8) Cl.** ..... **23-01**

(52) **U.S. Cl.** ..... **D23/208**

(58) **Field of Classification Search** ..... D23/208,  
D23/207; 4/231, 223, 225.1, 227.1  
See application file for complete search history.

**DESCRIPTION**

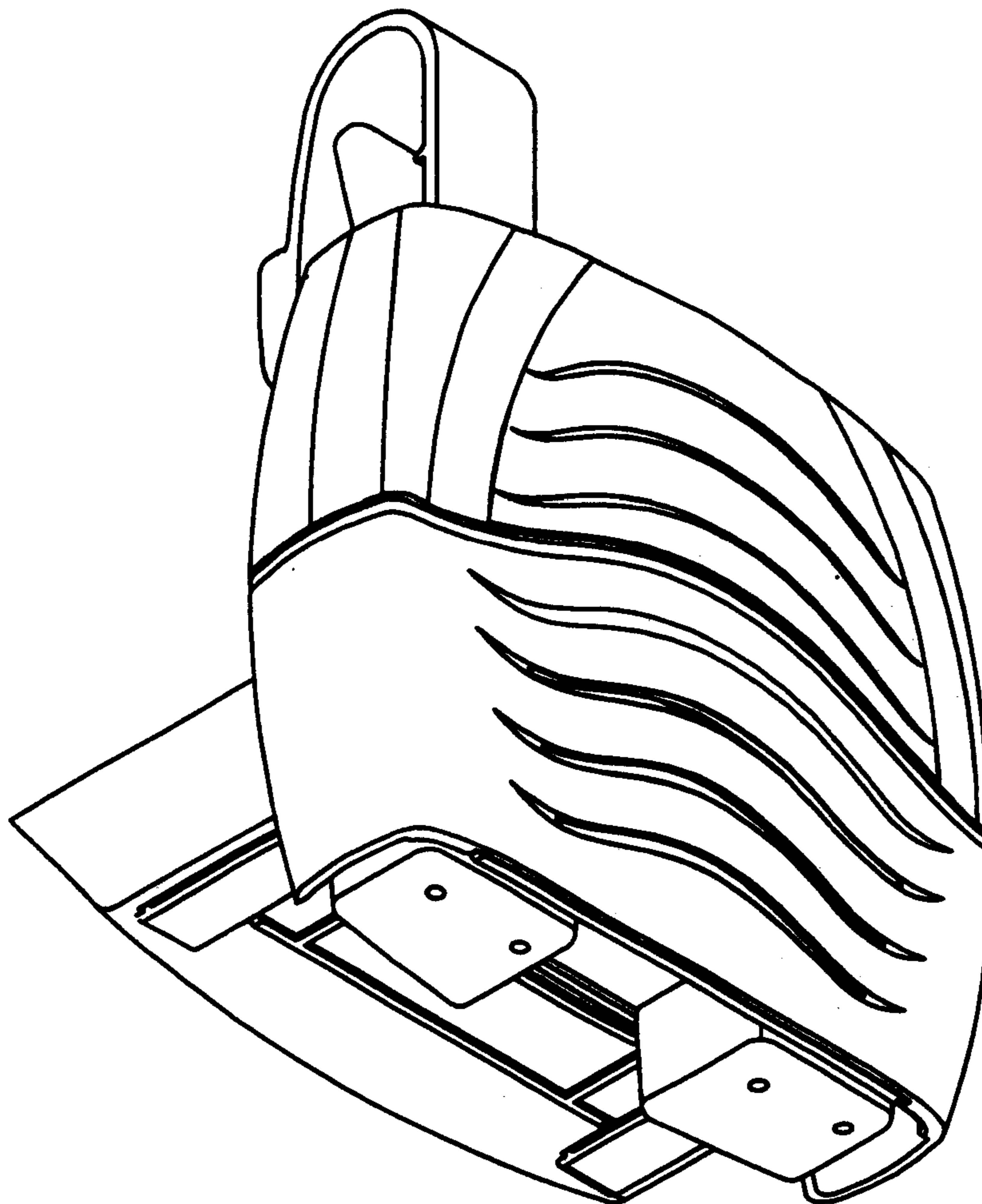
FIG. 1 is perspective view of my new design  
FIG. 2 is a top plan view thereof;  
FIG. 3 is a bottom plan view thereof;  
FIG. 4 is a front view thereof;  
FIG. 5 is a rear view thereof;  
FIG. 6 is a right side view thereof; and,  
FIG. 7 is a left side view thereof.

(56) **References Cited**

**U.S. PATENT DOCUMENTS**

D476,056 S \* 6/2003 Woolley et al. .... D23/208  
6,854,136 B2 \* 2/2005 Leonard et al. .... 4/231

**1 Claim, 7 Drawing Sheets**



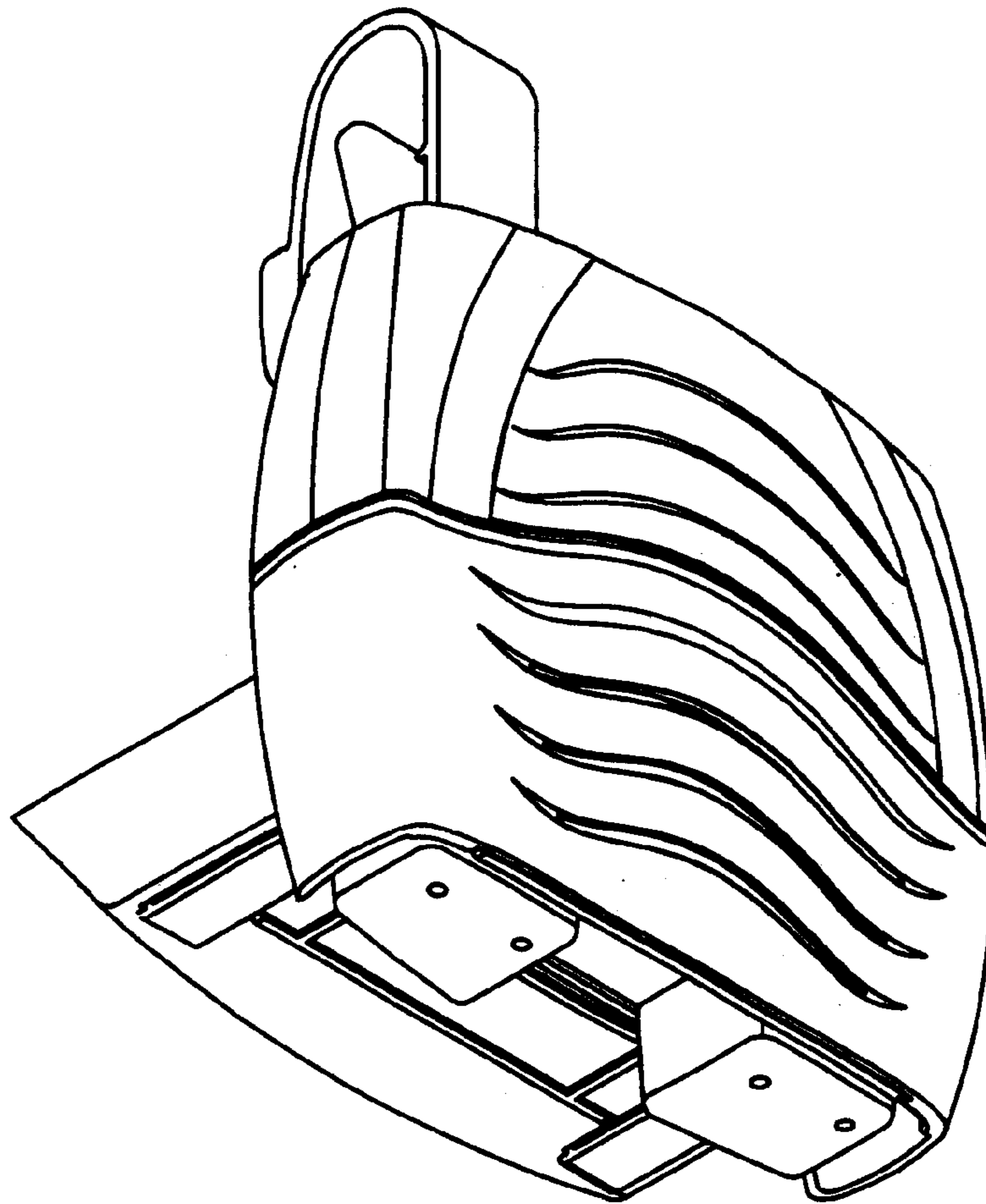


Fig.1

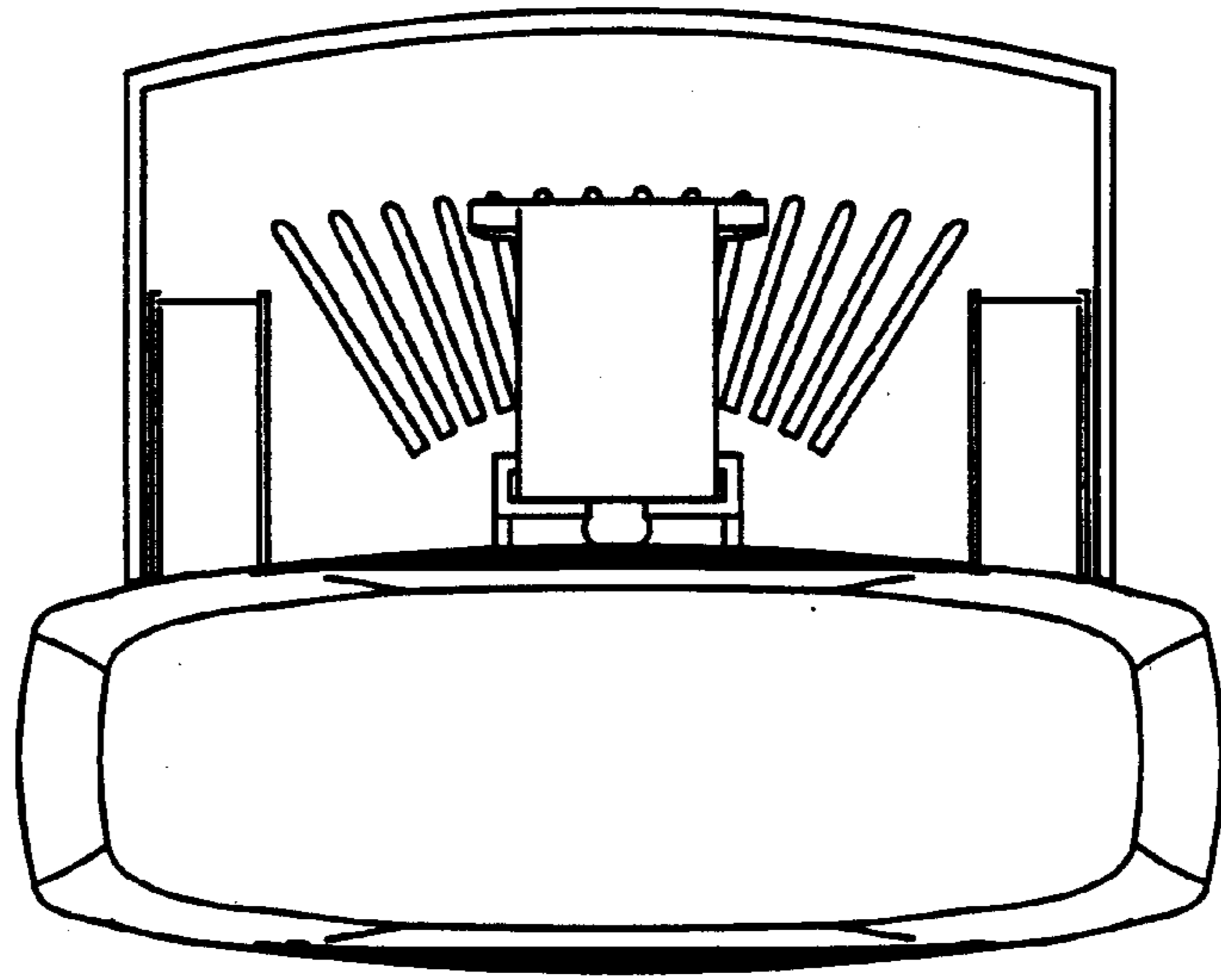


Fig.2

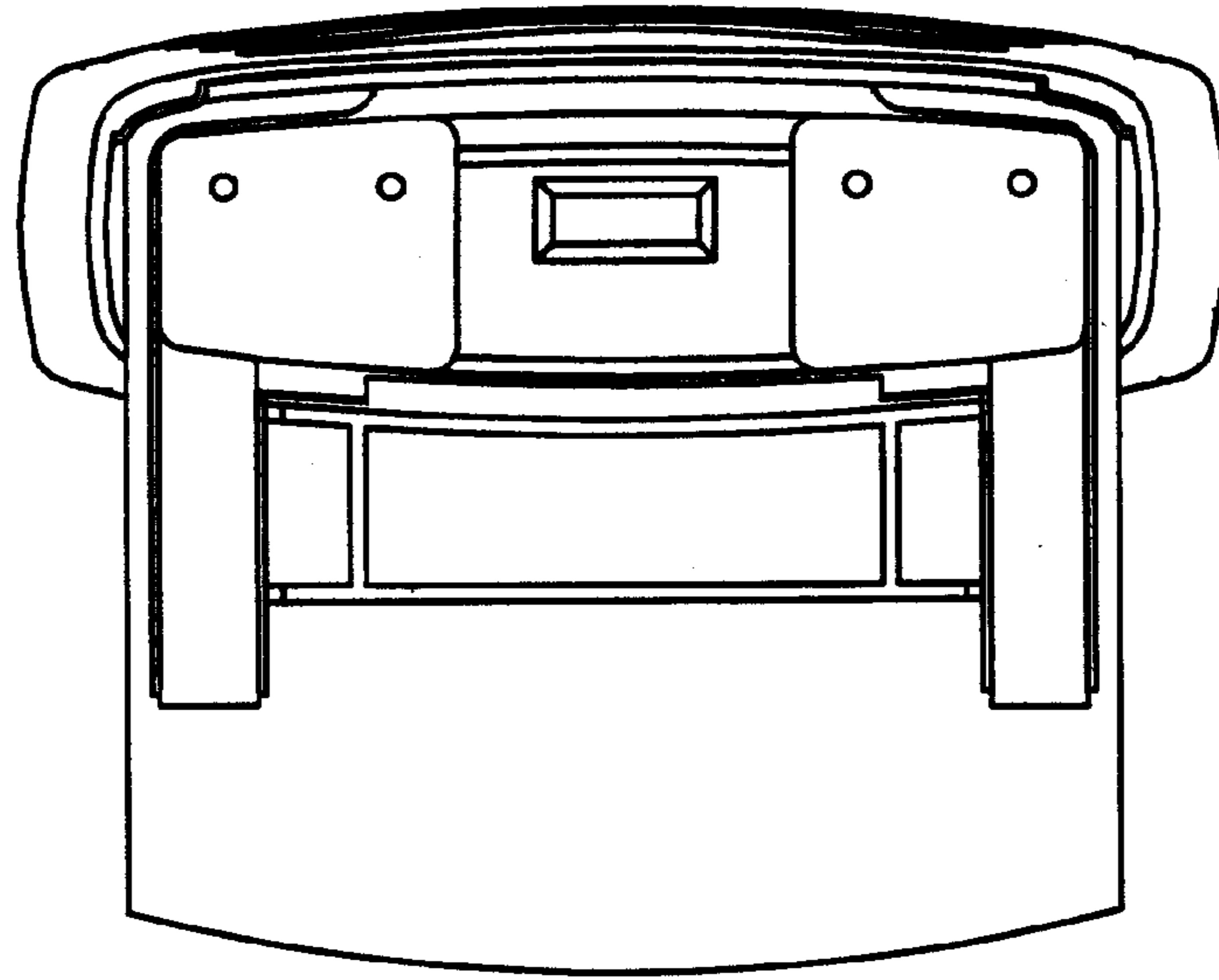


Fig.3

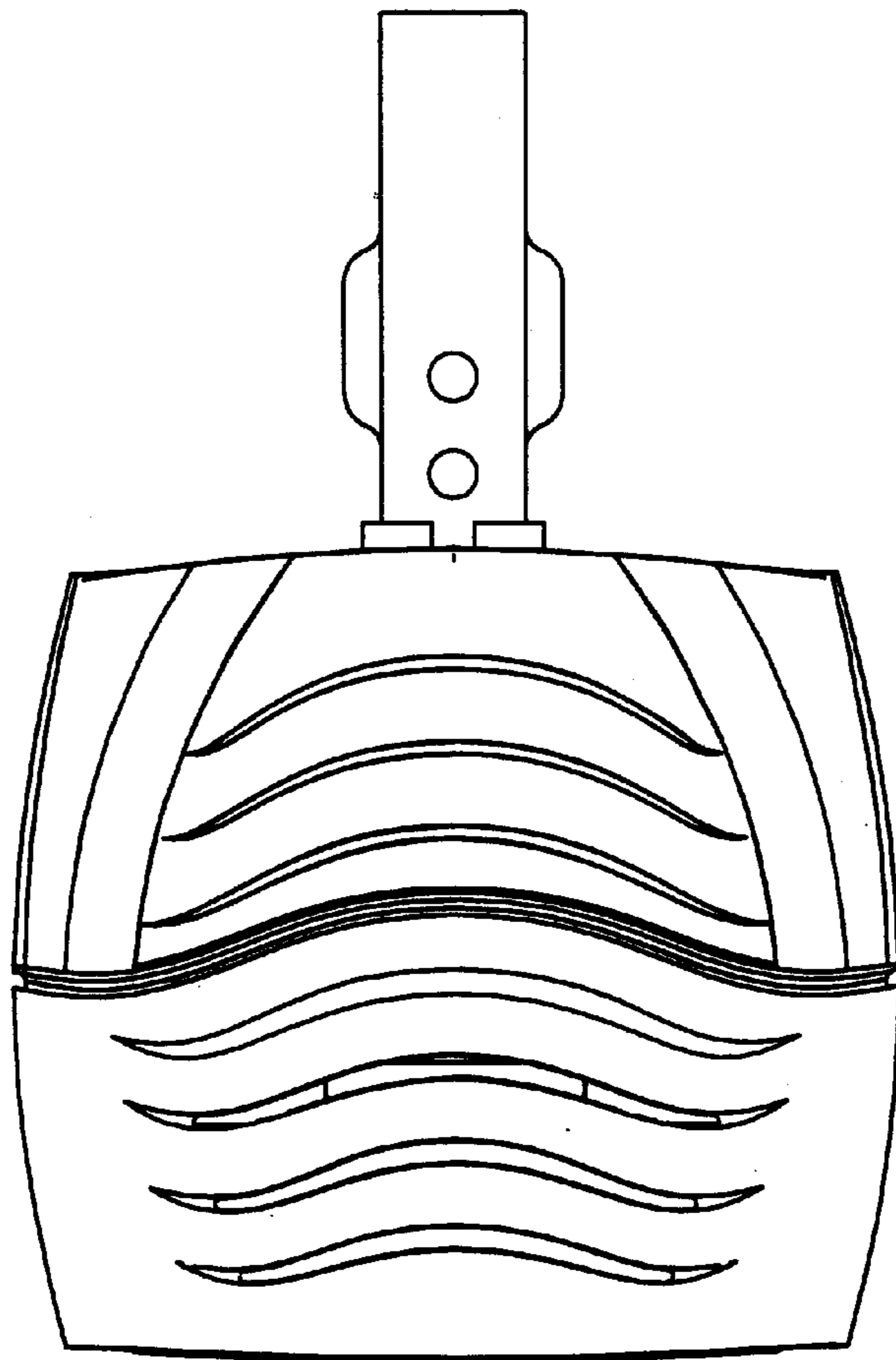


Fig.4

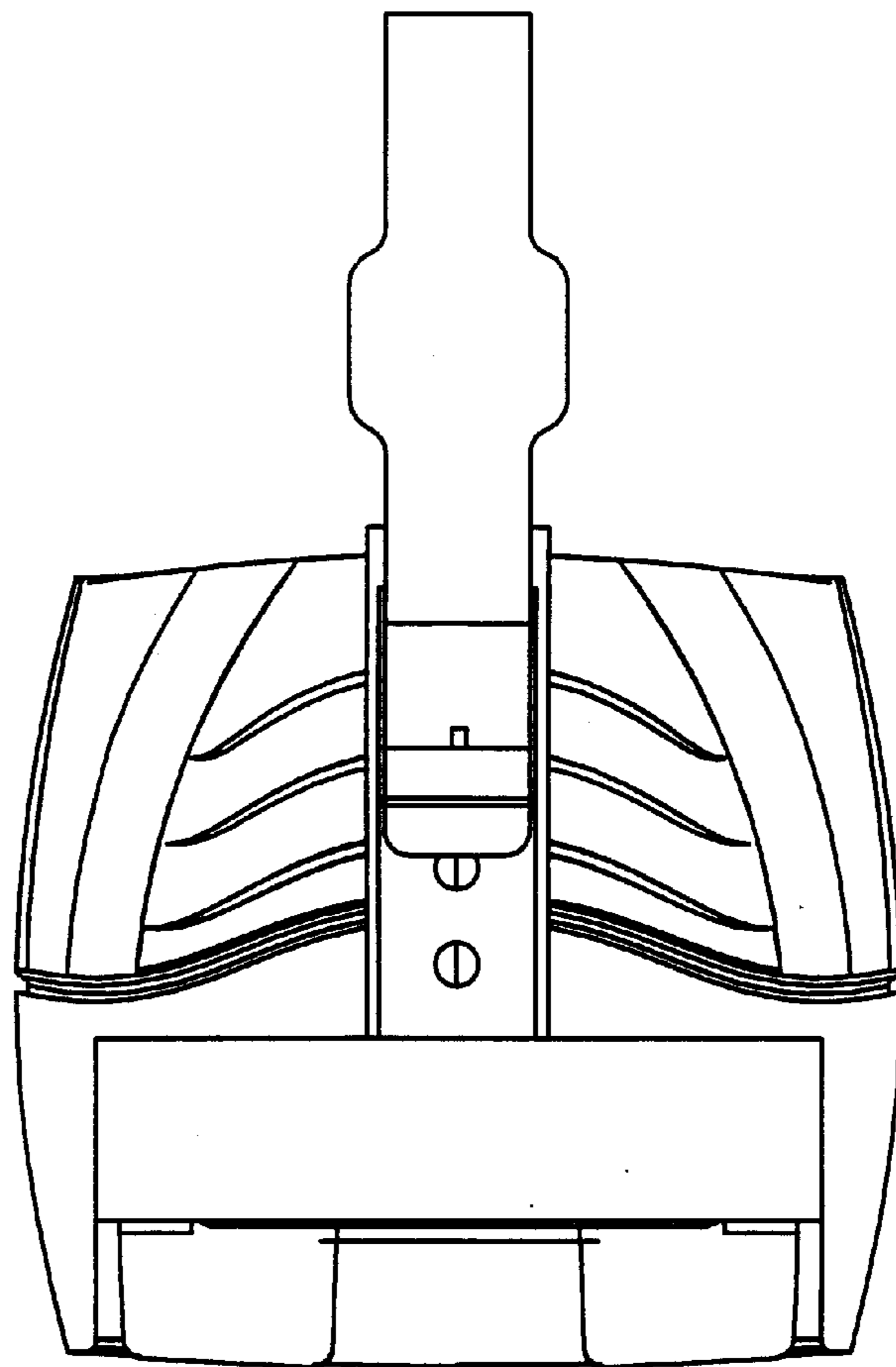


Fig.5

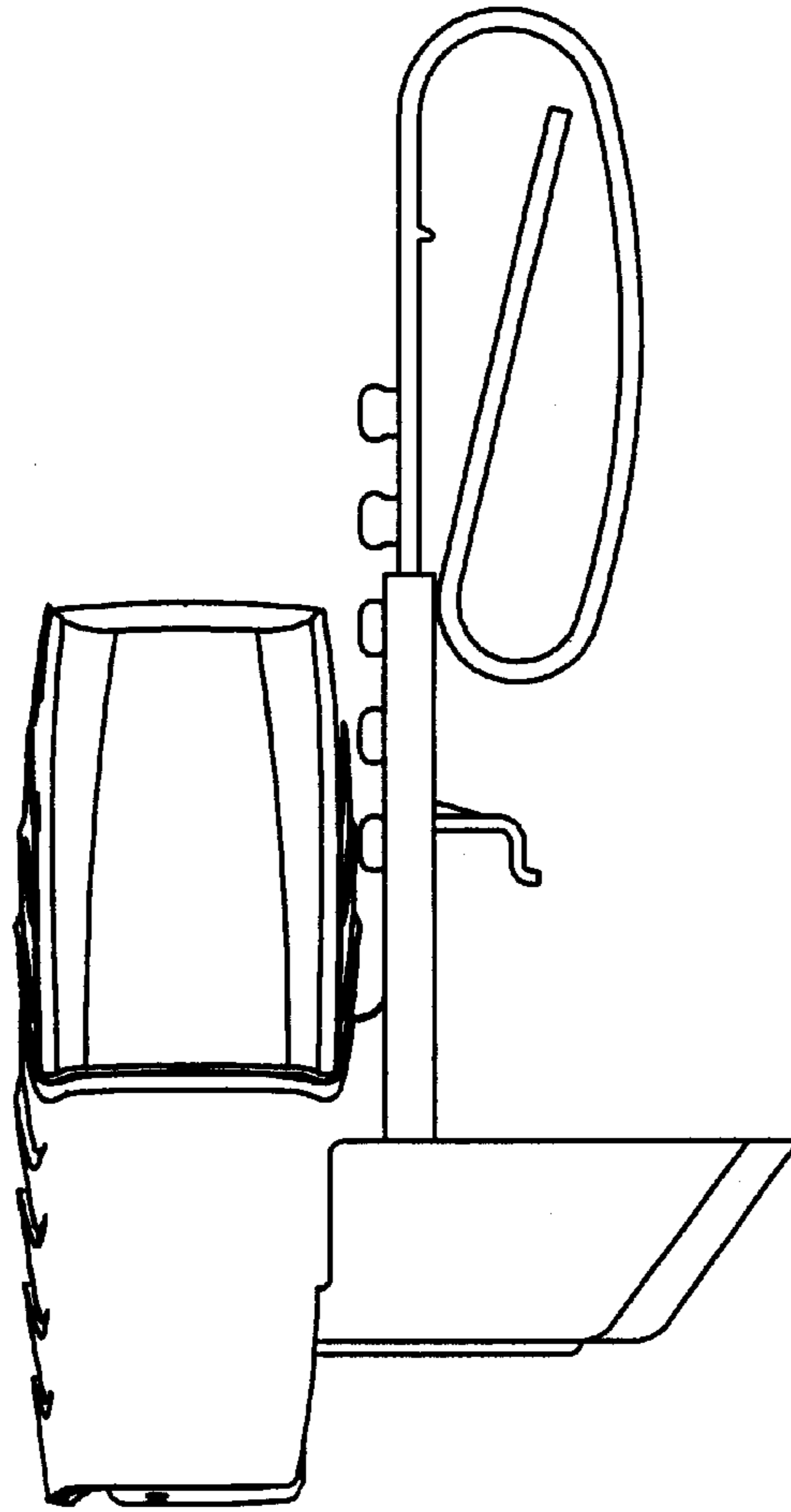


Fig.6

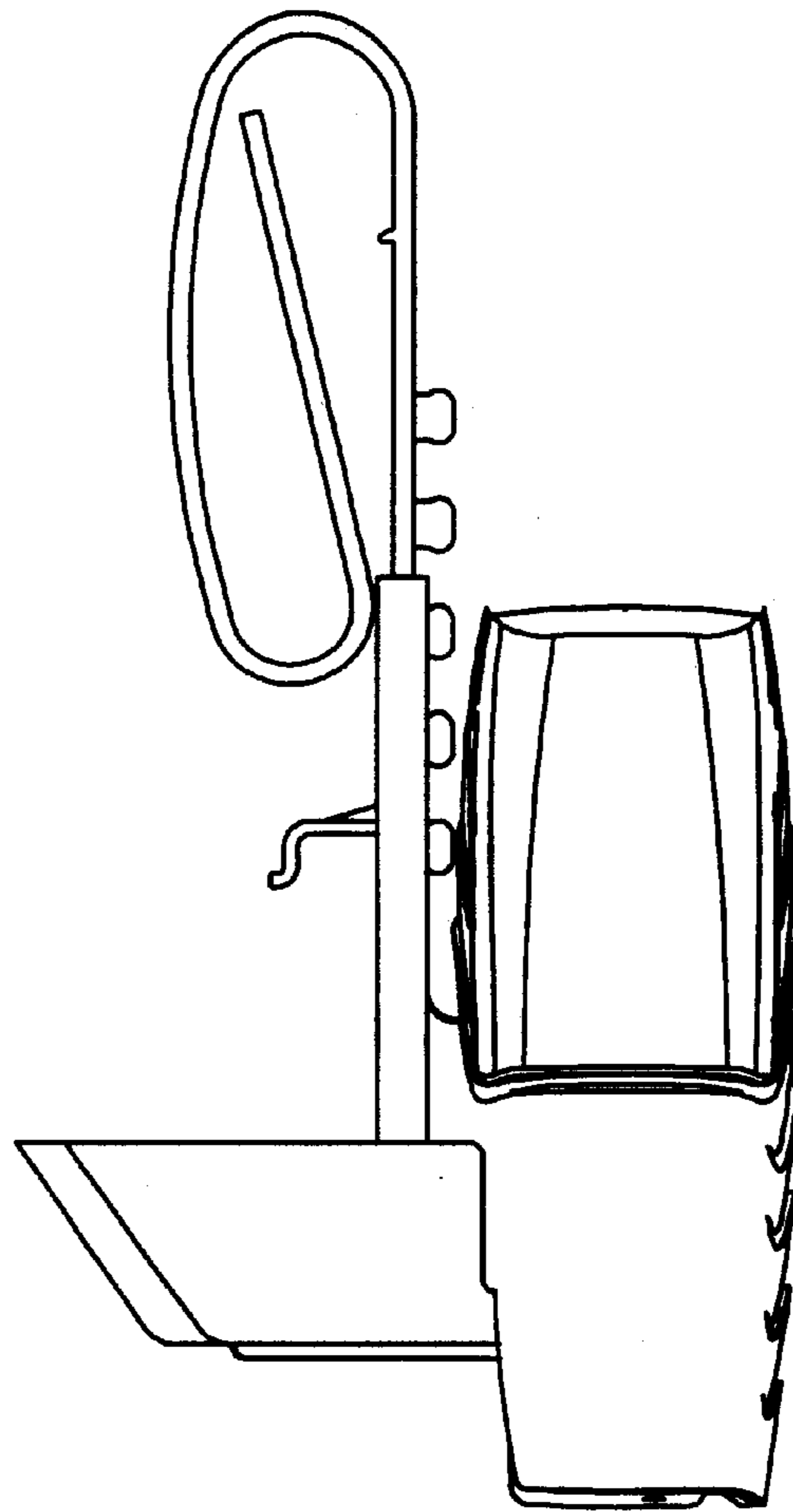


Fig.7