

US00D540904S

(12) **United States Design Patent**
Werner

(10) **Patent No.:** **US D540,904 S**

(45) **Date of Patent:** **** Apr. 17, 2007**

(54) **RIFLE REST**

(76) **Inventor:** **Theodore J. Werner**, 193 W. Hills Rd.,
Huntington Station, NY (US) 11746

(**) **Term:** **14 Years**

(21) **Appl. No.:** **29/244,151**

(22) **Filed:** **Dec. 6, 2005**

(51) **LOC (8) Cl.** **22-01**

(52) **U.S. Cl.** **D22/108; D22/103**

(58) **Field of Classification Search** D22/108,
D22/199; 42/94, 106; 73/167; 89/36.01; 248/177.1,
248/425

See application file for complete search history.

(56) **References Cited**

U.S. PATENT DOCUMENTS

3,703,046	A	*	11/1972	Barone et al.	42/94
4,558,531	A	*	12/1985	Kilby	42/94
5,067,268	A	*	11/1991	Ransom	42/94
D387,123	S	*	12/1997	Hughes et al.	D22/108
5,913,668	A	*	6/1999	Messer	42/94
6,272,785	B1	*	8/2001	Mika et al.	42/94
D471,248	S	*	3/2003	Jacobs	D22/108
6,574,899	B1	*	6/2003	Mostello	42/94

6,877,266	B1	*	4/2005	Brownlee	42/94
D513,055	S	*	12/2005	Lahti	D22/108
D519,183	S	*	4/2006	Minneman	D22/108

OTHER PUBLICATIONS

U.S. Appl. No. 10/752,877, filed Jul. 2004, Deros et al.*

* cited by examiner

Primary Examiner—Ian Simmons

Assistant Examiner—Melanie Levy

(74) *Attorney, Agent, or Firm*—Charles E. Baxley

(57) **CLAIM**

I claim the ornamental design for a rifle rest, as shown and described.

DESCRIPTION

FIG. 1 is a top, front, and right side perspective view of a rifle rest according to my design;

FIG. 2 is a top plan view thereof;

FIG. 3 is a bottom plan view thereof;

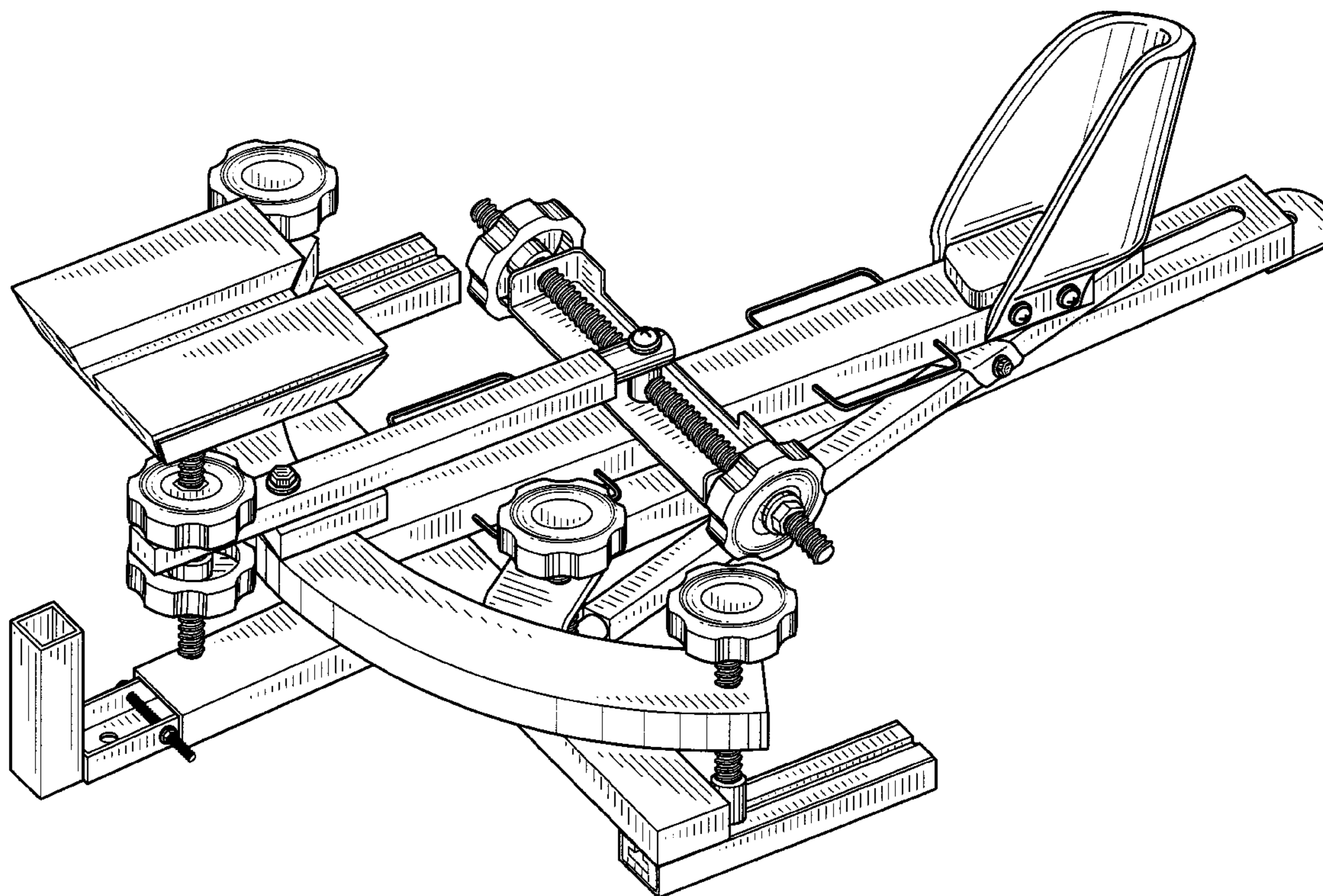
FIG. 4 is a right elevational view thereof;

FIG. 5 is a left elevational view thereof;

FIG. 6 is a front elevational view thereof; and,

FIG. 7 is a rear elevational view thereof.

1 Claim, 7 Drawing Sheets



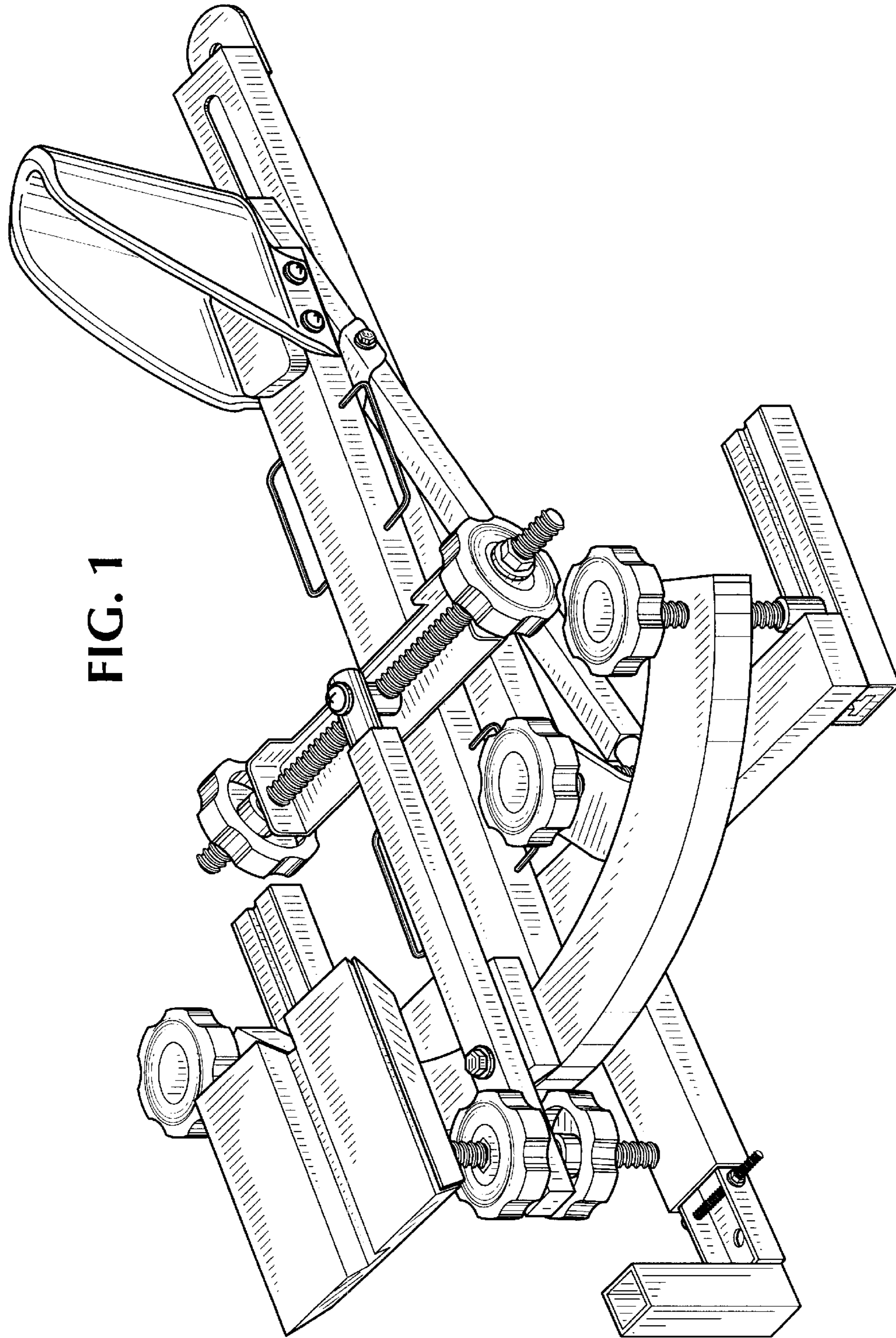


FIG. 1

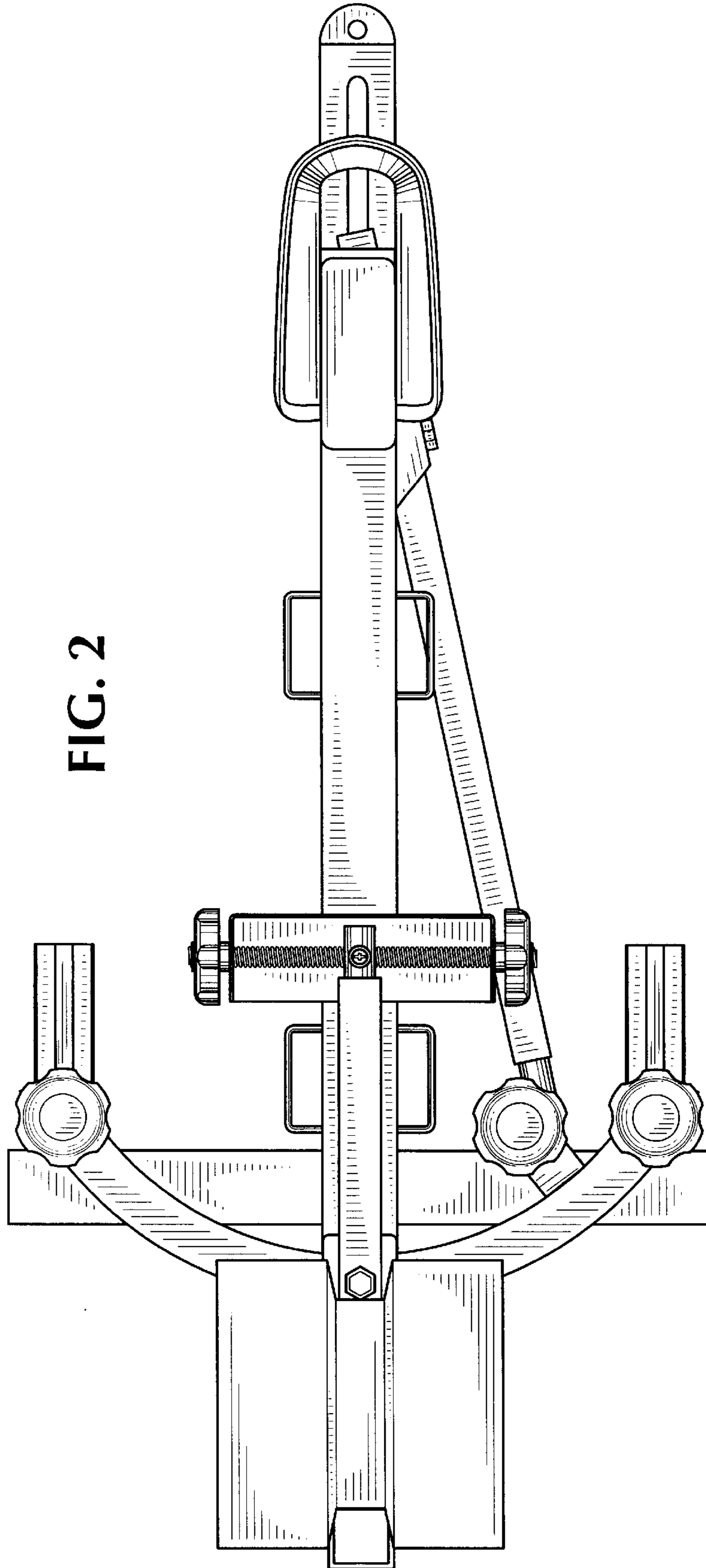


FIG. 2

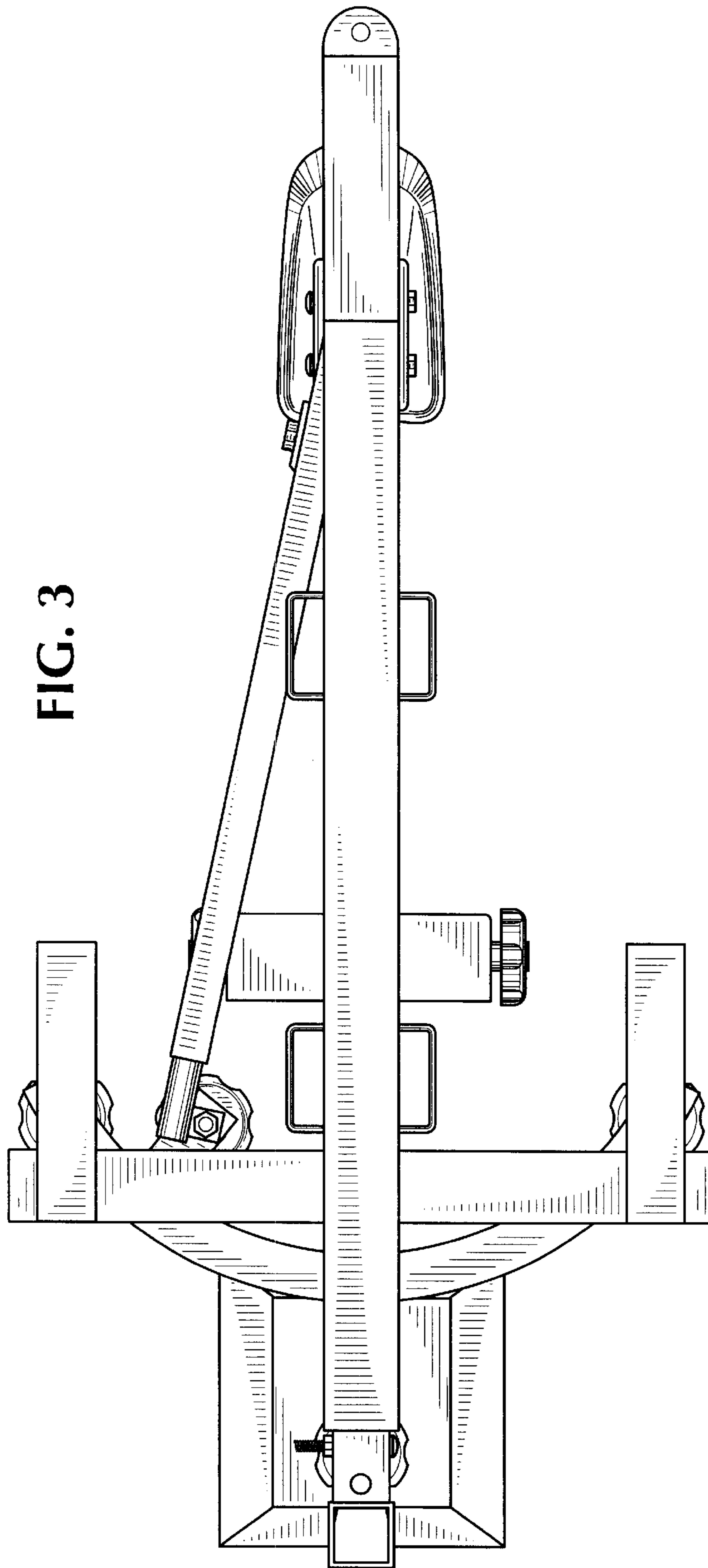
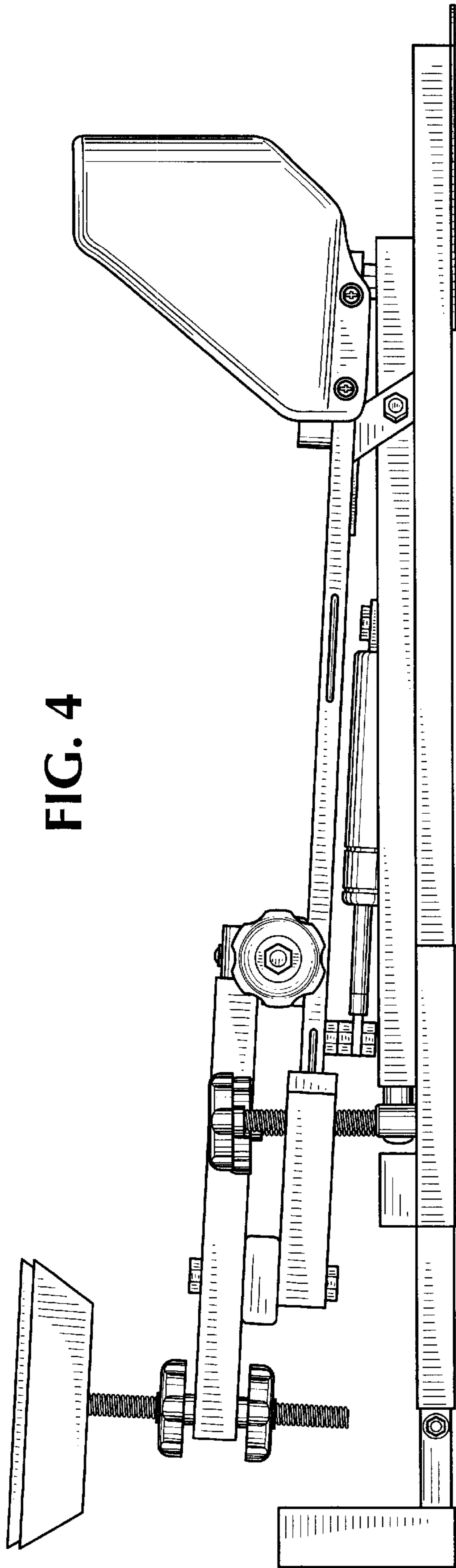


FIG. 3



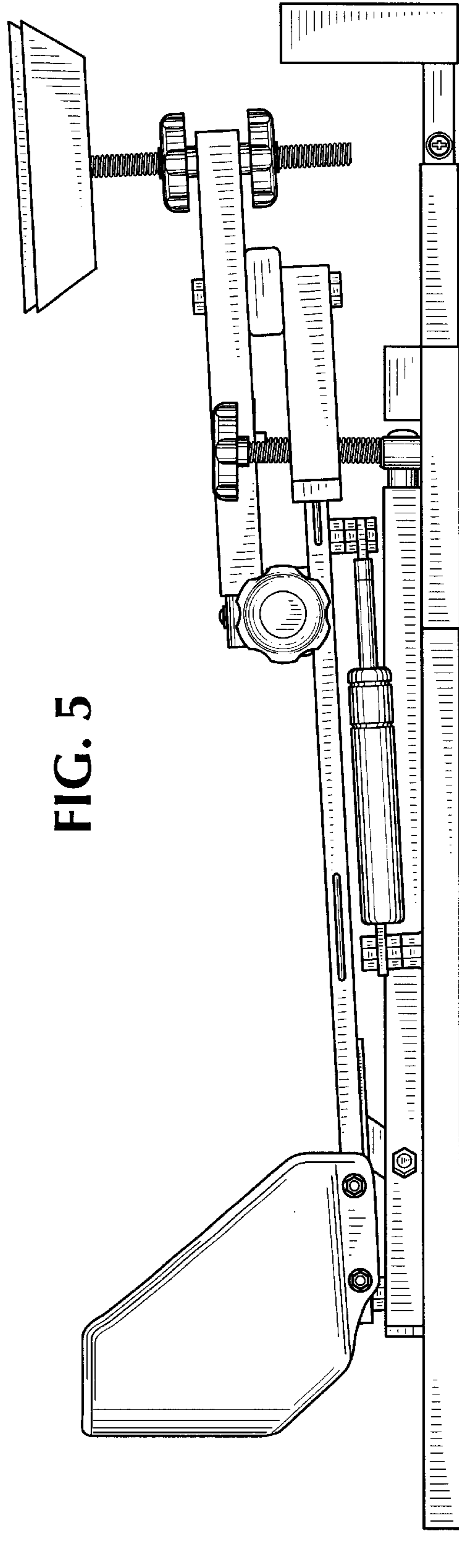


FIG. 5

FIG. 6

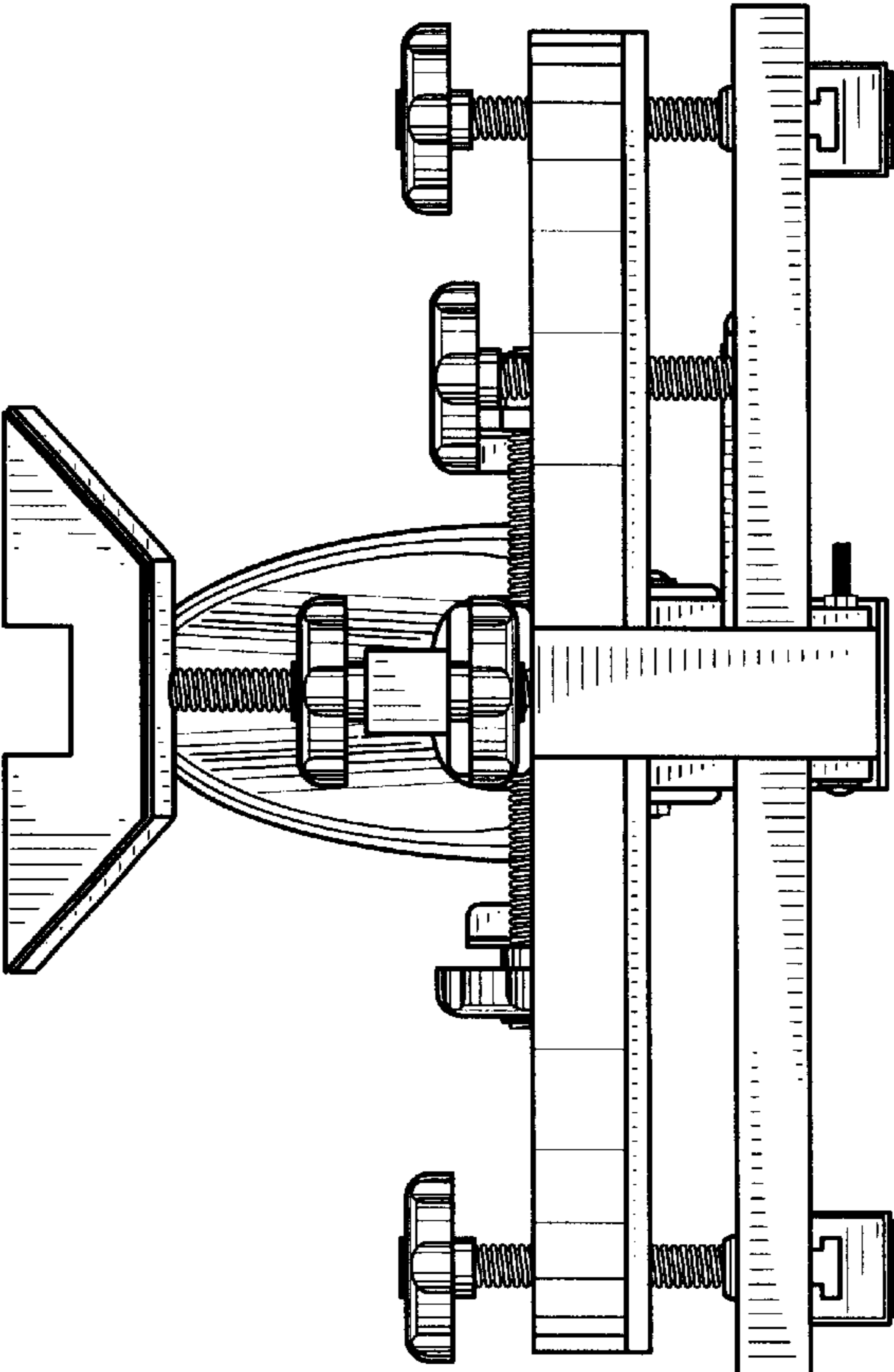


FIG. 7

