

US00D540903S

(12) **United States Design Patent**
Dunn

(10) **Patent No.:** **US D540,903 S**

(45) **Date of Patent:** **** Apr. 17, 2007**

(54) **DUAL BOW VIBRATION DAMPENER**

(76) Inventor: **Randel L. Dunn**, 1424 63rd Ave. NE.,
Salem, OR (US) 97301

(**) Term: **14 Years**

(21) Appl. No.: **29/256,678**

(22) Filed: **Mar. 22, 2006**

(51) **LOC (8) Cl.** **22-01**

(52) **U.S. Cl.** **D22/107**

(58) **Field of Classification Search** D22/100,
D22/107, 199; 124/86-89, 20.3, 24.1; D10/96;
D21/573

See application file for complete search history.

(56) **References Cited**

U.S. PATENT DOCUMENTS

3,670,712 A	6/1972	Izuta	
5,362,046 A	11/1994	Sims	
5,553,596 A	9/1996	Bednar	
D406,301 S	* 3/1999	Fitzgerald, Jr. D22/107
D410,272 S	* 5/1999	Fitzgerald, Jr. D22/107
D436,643 S	1/2001	Sims	
6,494,196 B2	* 12/2002	Harwath et al. 124/89

6,675,793 B1	1/2004	Saunders	
6,712,055 B1	* 3/2004	Tidman 124/6
6,758,205 B2	7/2004	Kronfeld	
D498,283 S	11/2004	Dunn	
6,910,472 B2	6/2005	Mizek et al.	
D514,654 S	* 2/2006	Sims D22/107

* cited by examiner

Primary Examiner—Ian Simmons

Assistant Examiner—Melanie Levy

(74) *Attorney, Agent, or Firm*—Carl D Crowell

(57) **CLAIM**

The ornamental design for a dual bow vibration dampener,
as shown and described.

DESCRIPTION

FIG. 1 is a perspective view of the invention showing the
new design;

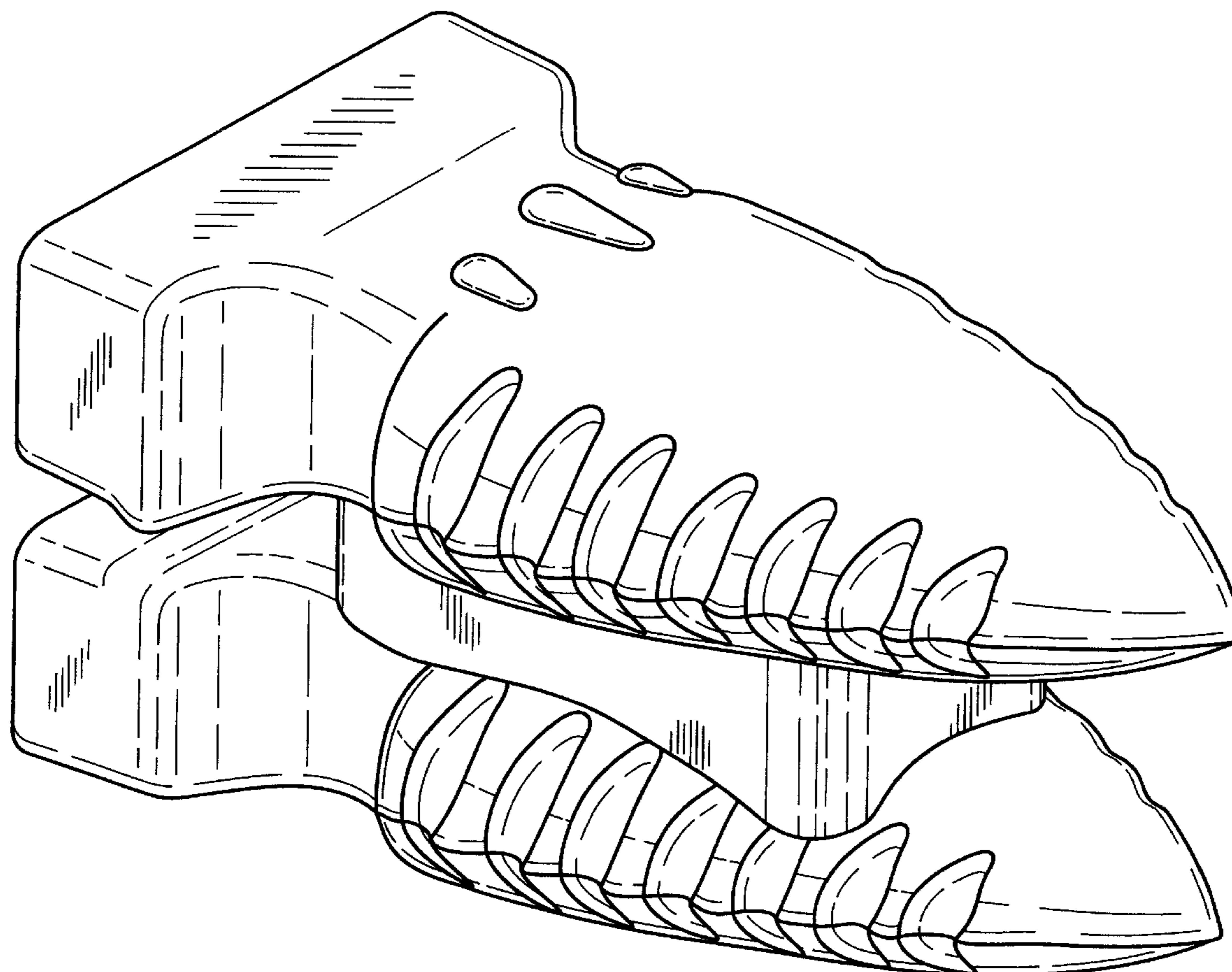
FIG. 2 is a side elevational view thereof;

FIG. 3 is a top plan view thereof; the bottom being a mirror
image;

FIG. 4 is a front plan view thereof; and,

FIG. 5 is a back plan view thereof.

1 Claim, 3 Drawing Sheets



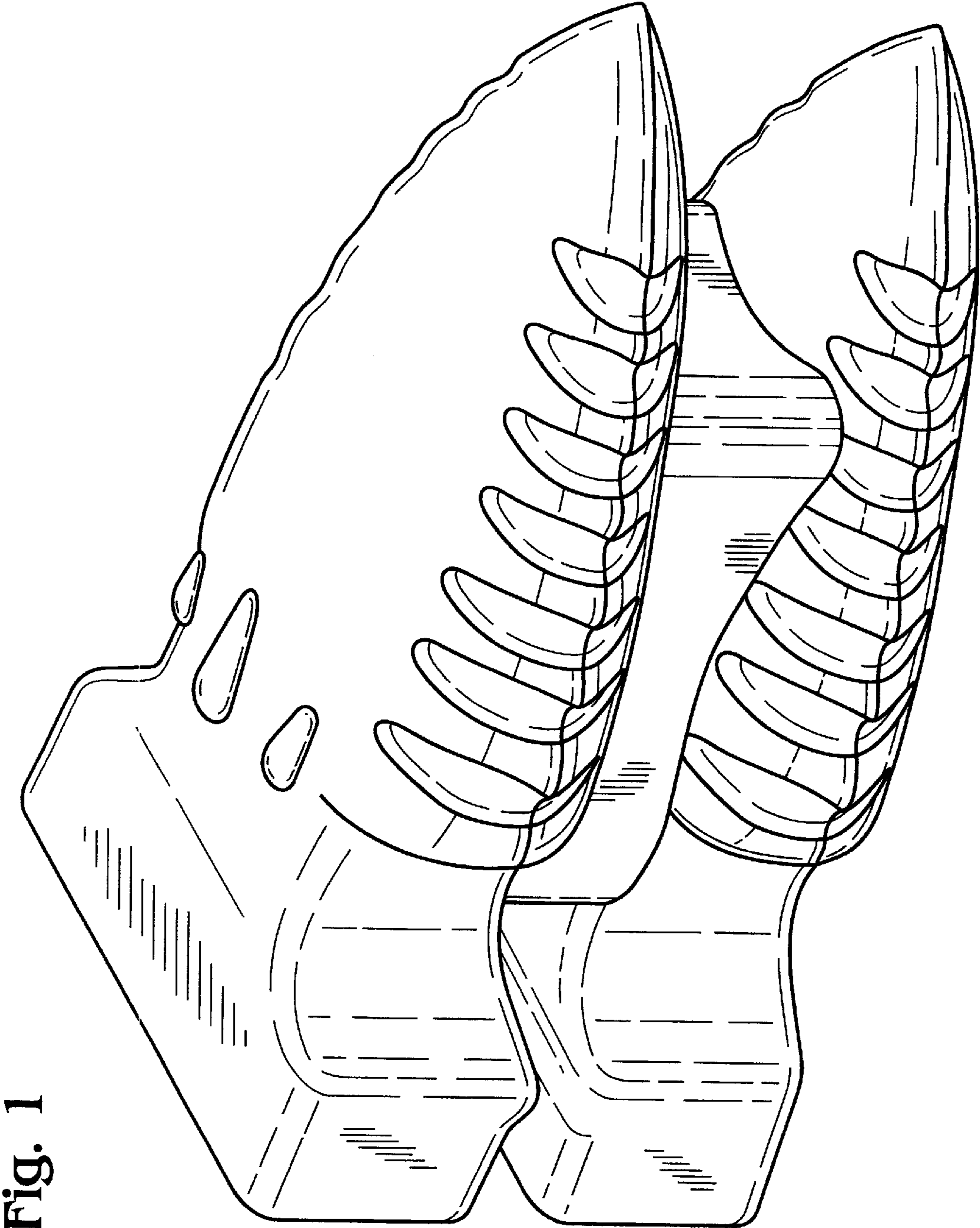


Fig. 1

Fig. 2

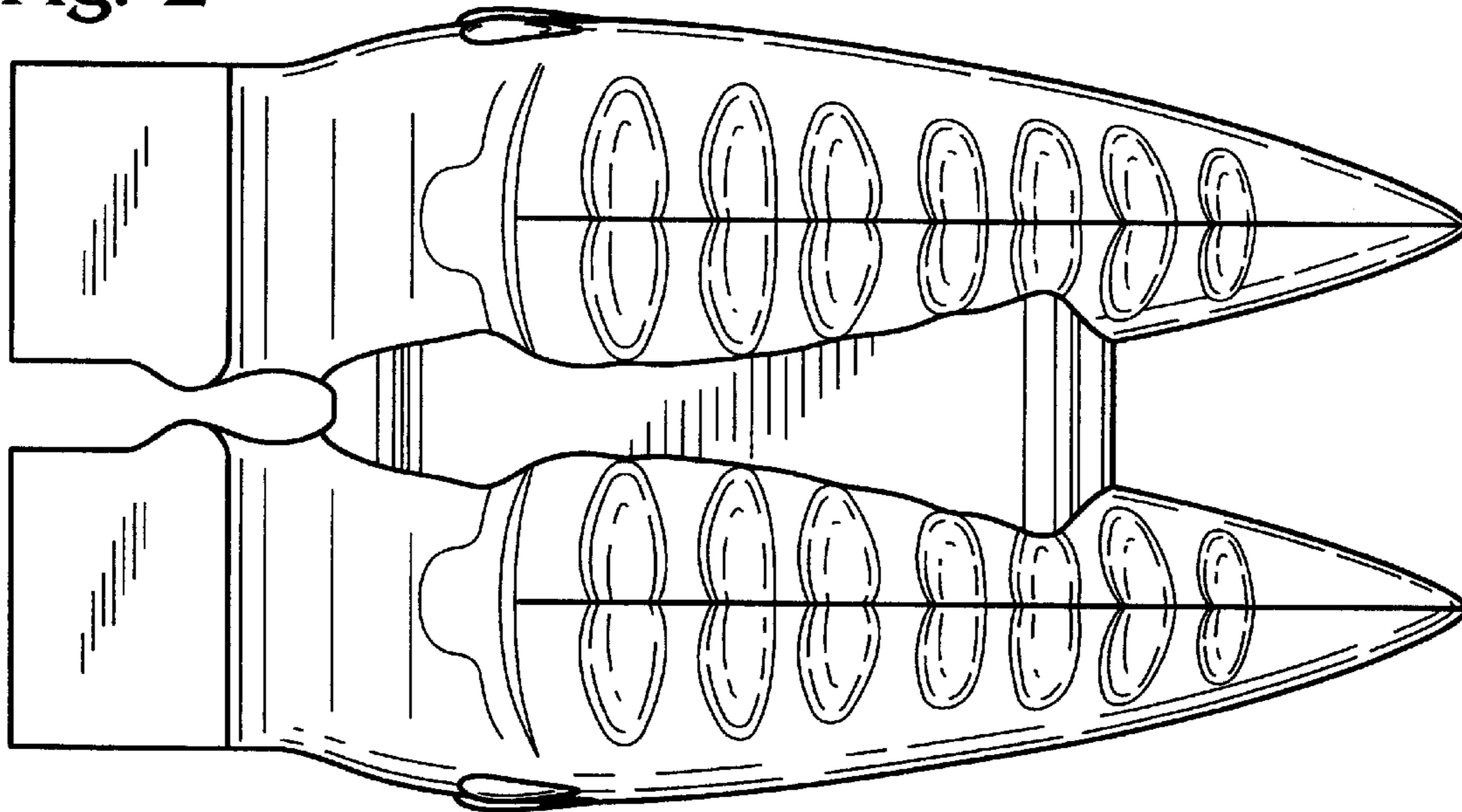


Fig. 3

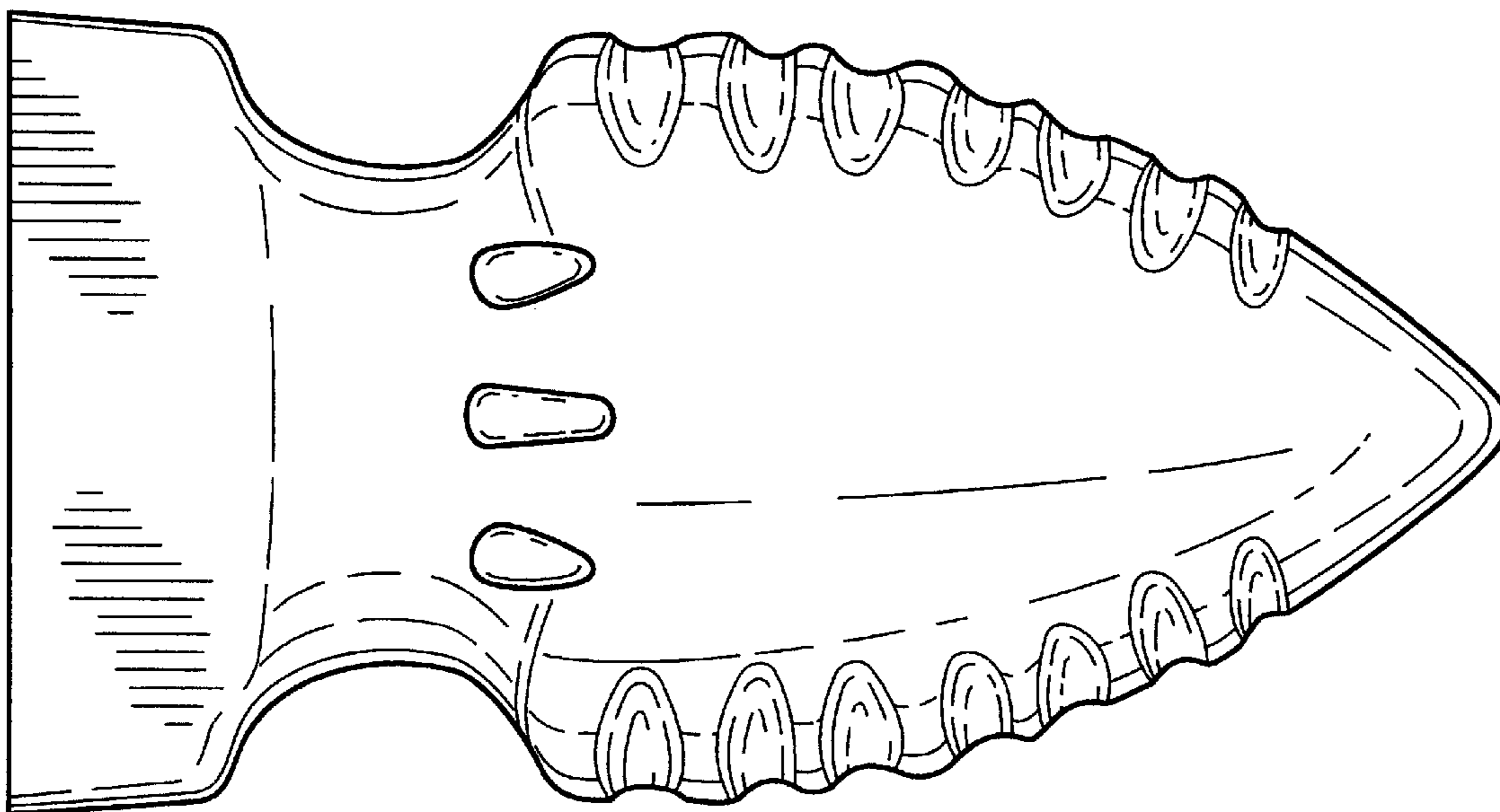


Fig. 4

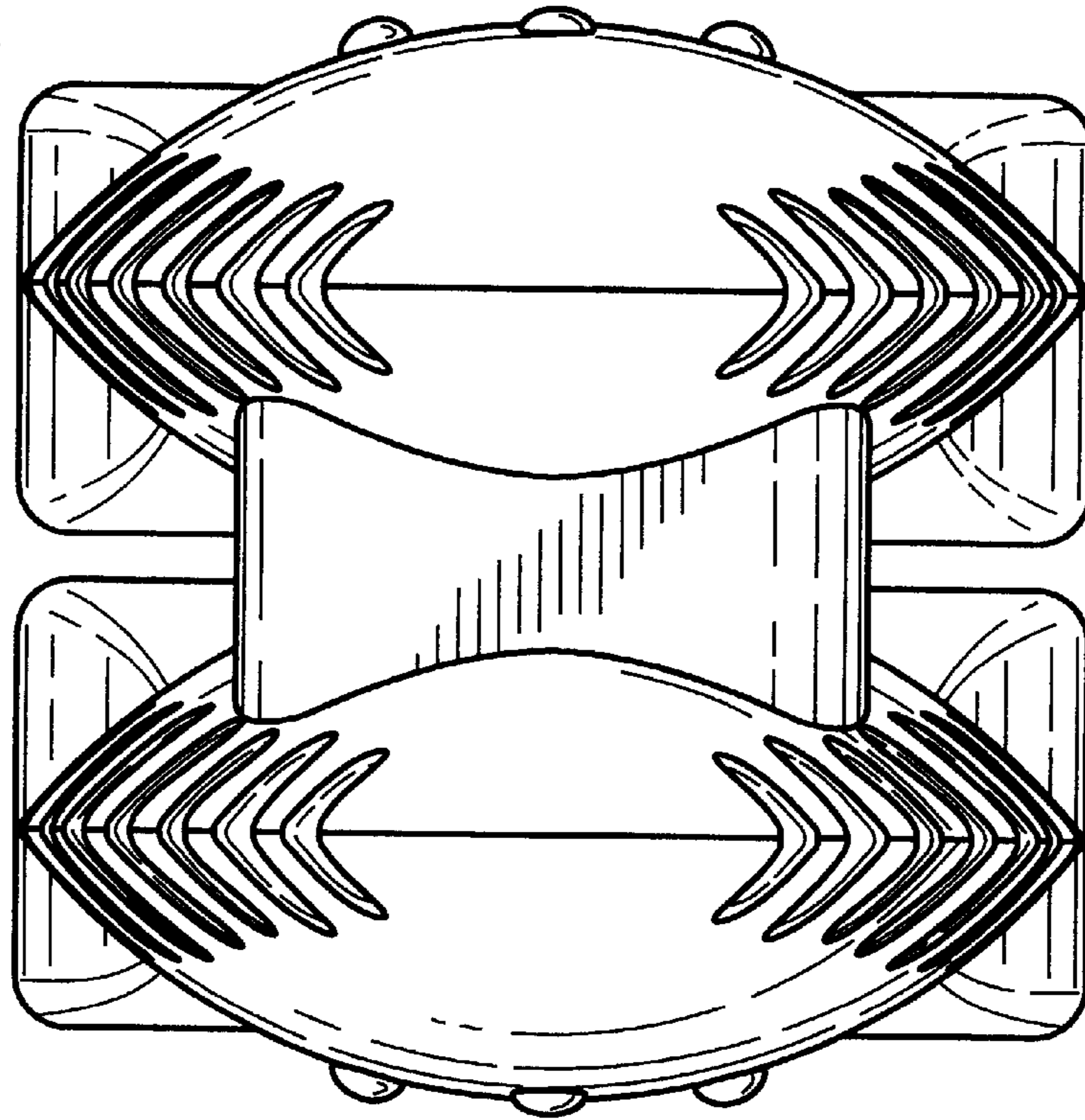


Fig. 5

