



US00D540902S

(12) **United States Design Patent**
Regalado

(10) **Patent No.:** **US D540,902 S**

(45) **Date of Patent:** **** Apr. 17, 2007**

(54) **CONCENTRIC GOLF BALL MARKER**

6,966,851 B1 * 11/2005 England et al. 473/406

(75) Inventor: **Mark A. Regalado**, Tigard, OR (US)

* cited by examiner

(73) Assignee: **Pacific Golf Accessories, Inc.**,
Beaverton, OR (US)

Primary Examiner—Mitchell Siegel

(74) *Attorney, Agent, or Firm*—Marger Johnson &
McCollom, P.C.

(**) Term: **14 Years**

(57) **CLAIM**

(21) Appl. No.: **29/252,323**

The ornamental design for a concentric golf ball marker, as shown and described.

(22) Filed: **Jan. 19, 2006**

DESCRIPTION

(51) **LOC (8) Cl.** **21-02**

(52) **U.S. Cl.** **D21/794**

(58) **Field of Classification Search** D21/789,
D21/793, 794; 473/285, 406

See application file for complete search history.

FIG. 1 is a top perspective view of a concentric golf ball marker;

FIG. 2 is a bottom perspective view thereof;

FIG. 3 is a top perspective view of a second embodiment of the concentric golf ball marker as disclosed in FIG. 1;

FIG. 4 is a top perspective view of a third embodiment of the concentric golf ball marker as disclosed in FIG. 1;

FIG. 5 is a top perspective view of a fourth embodiment of the concentric golf ball marker as disclosed in FIG. 1; and

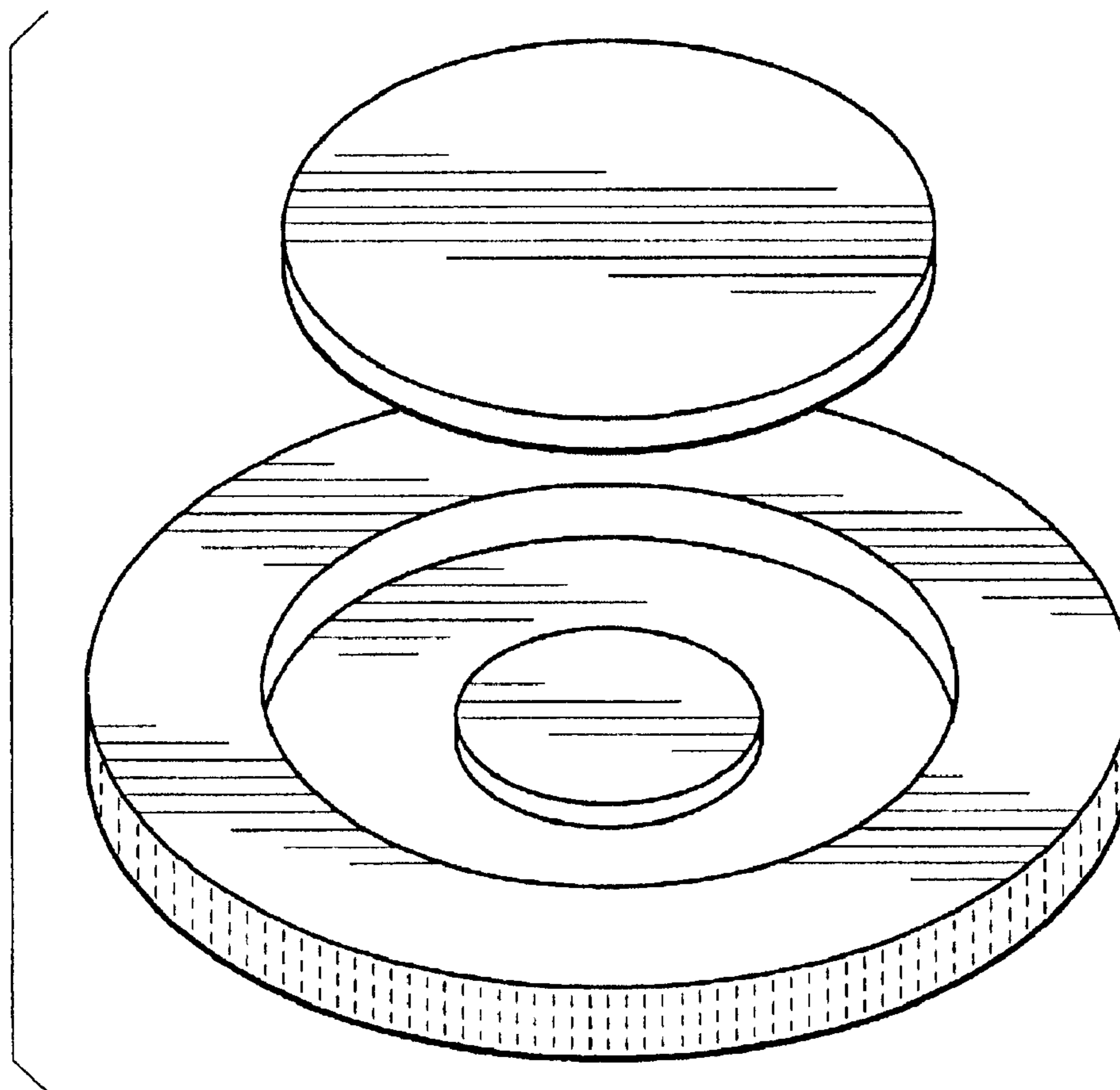
FIG. 6 is a top perspective view of a fifth embodiment of the concentric golf ball marker as disclosed in FIG. 1 .

(56) **References Cited**

U.S. PATENT DOCUMENTS

D350,179 S	*	8/1994	Johnson	D21/794
D442,249 S	*	5/2001	Fazekas	D21/793
6,422,955 B1		7/2002	Lopez	473/406
D496,705 S	*	9/2004	Louttit	D21/793
D504,932 S	*	5/2005	Louttit	D21/793

1 Claim, 3 Drawing Sheets



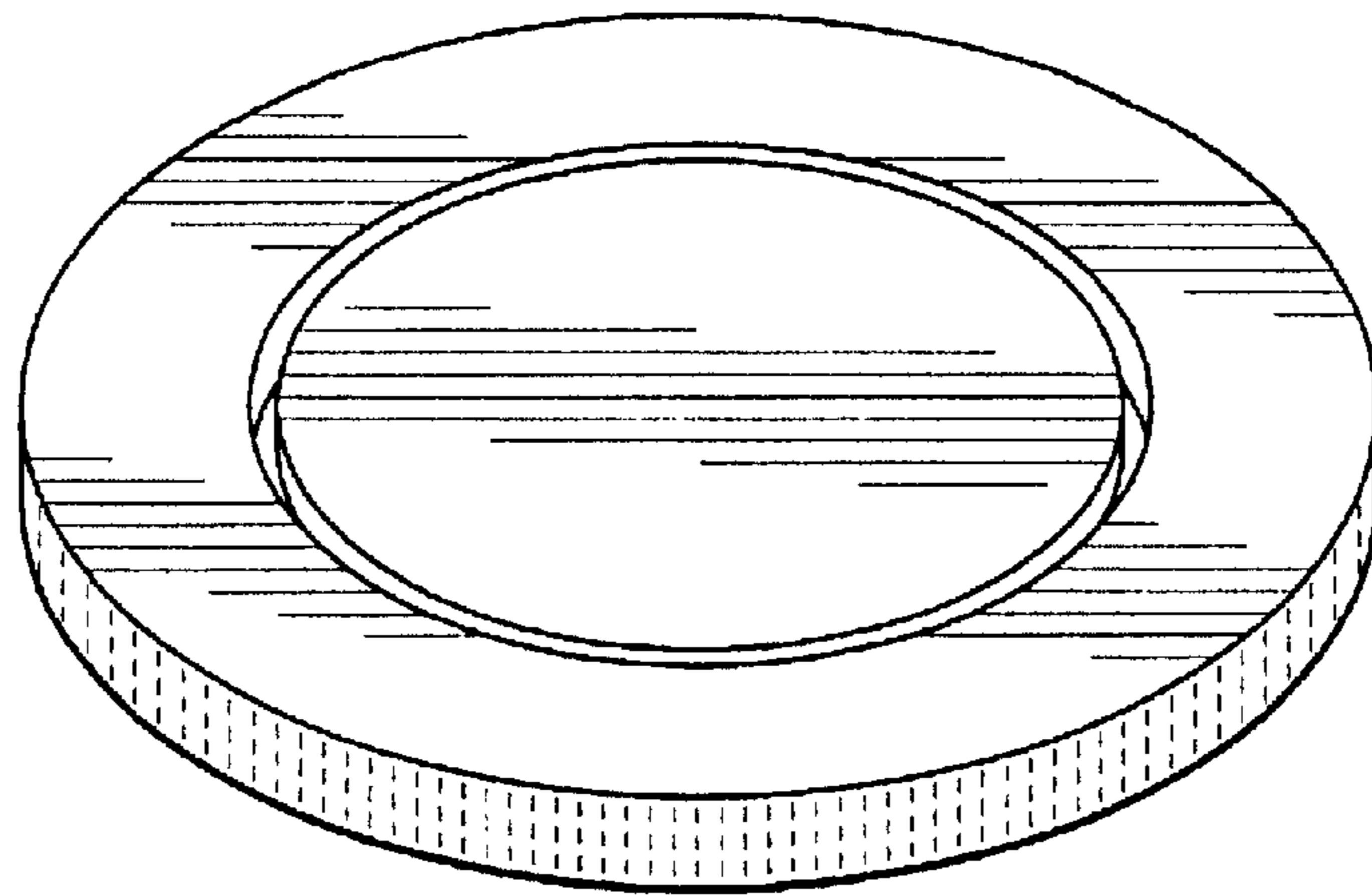


Fig. 1

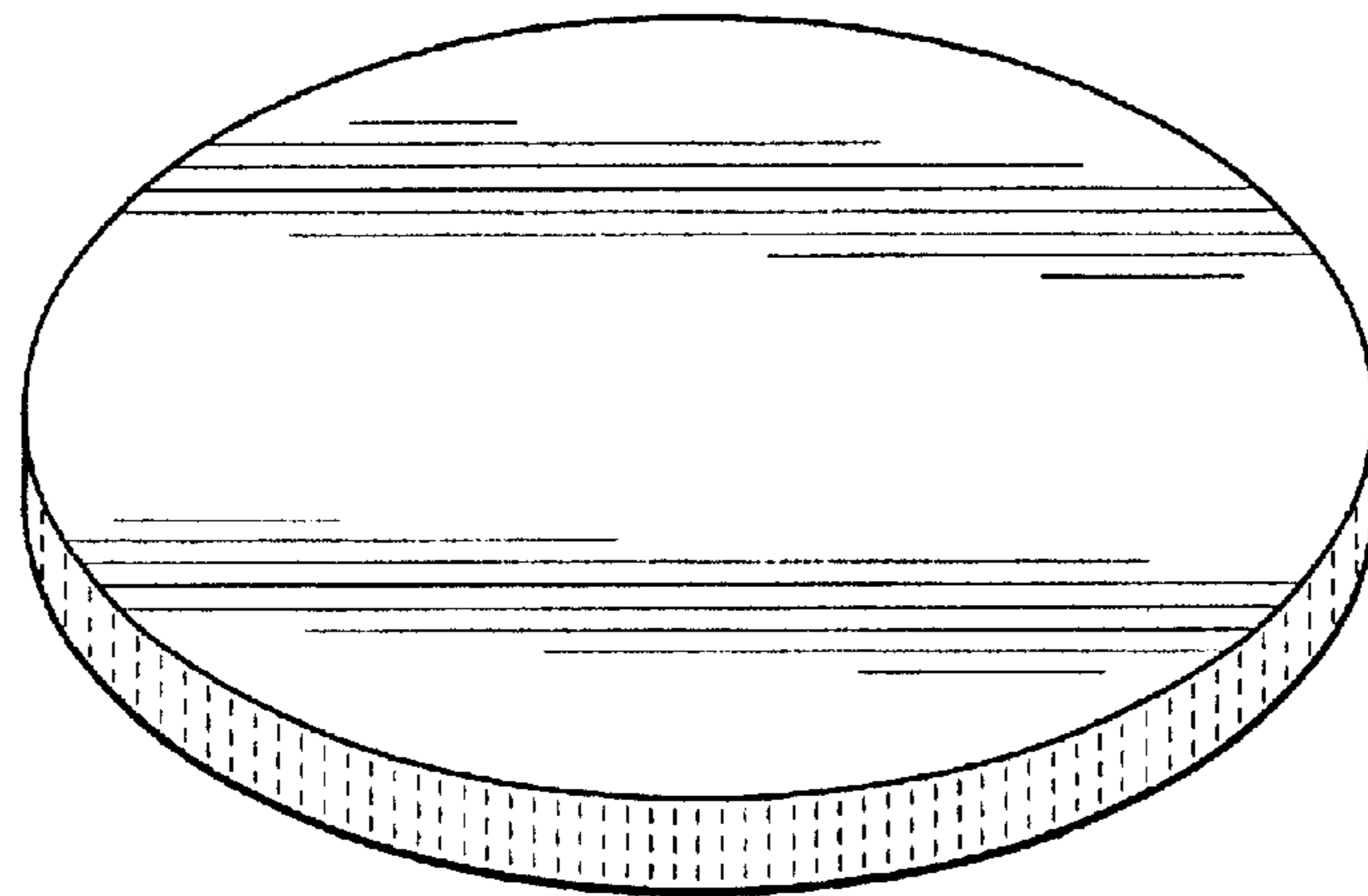


Fig. 2

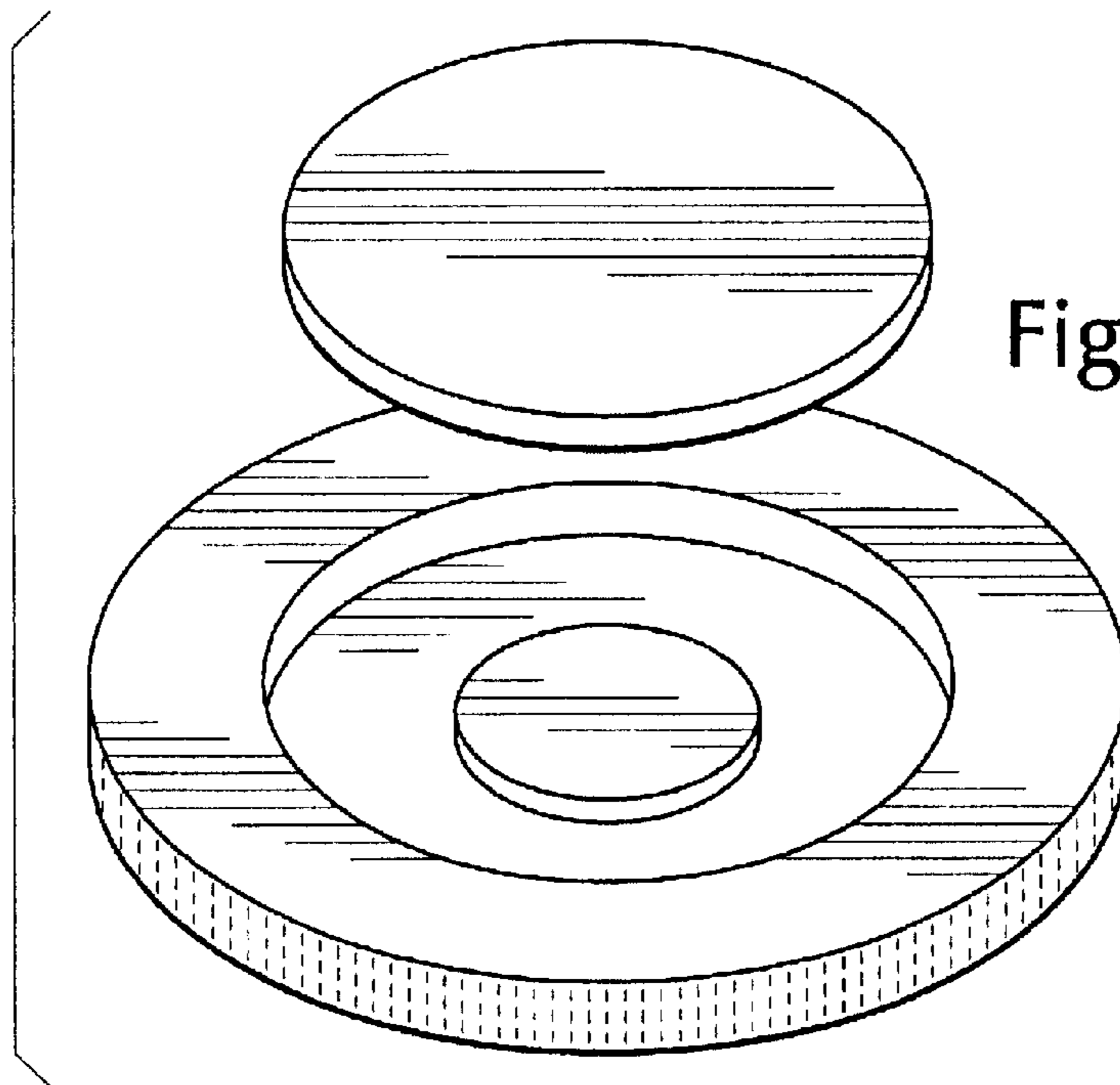


Fig. 3

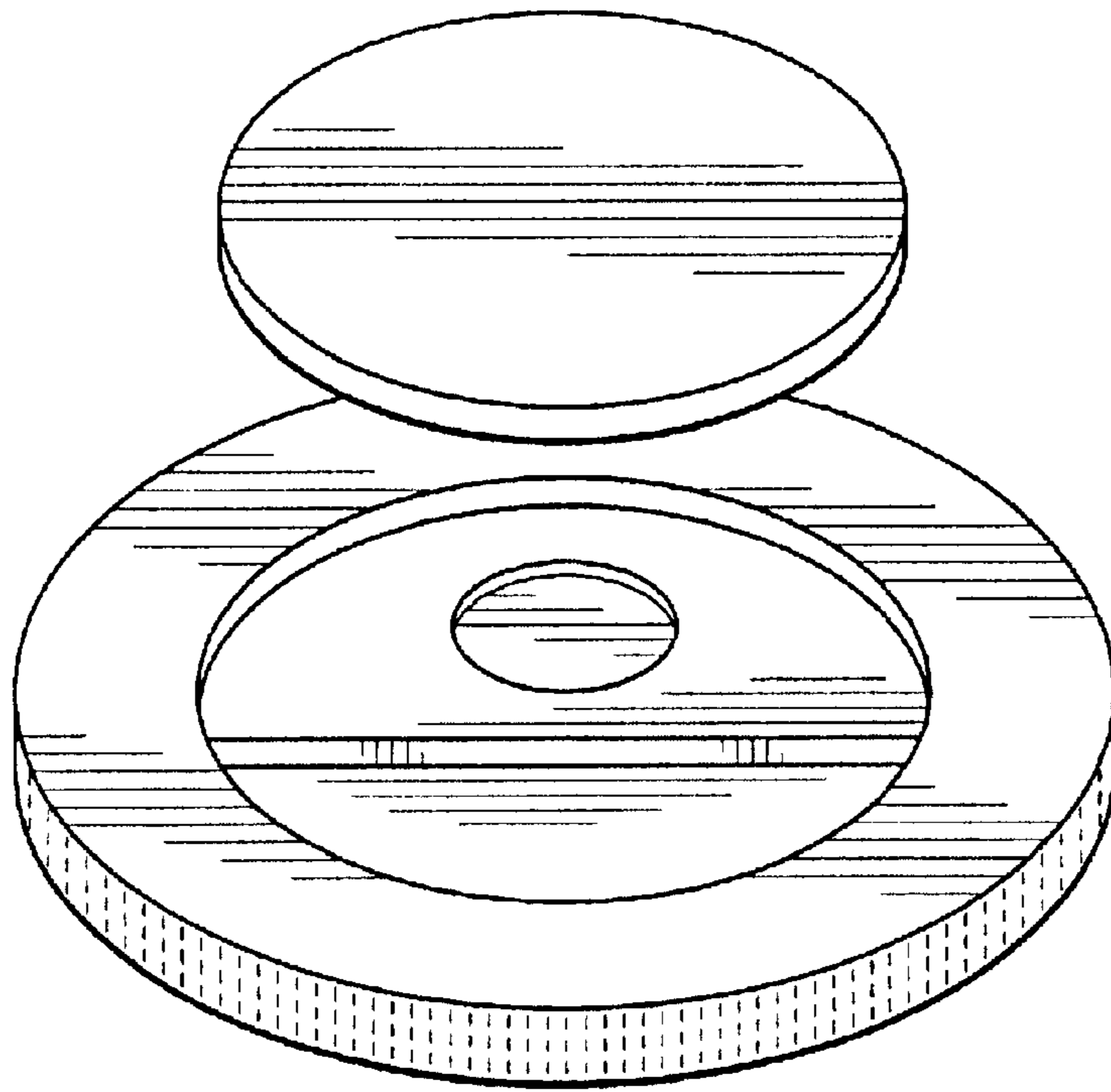


Fig.4

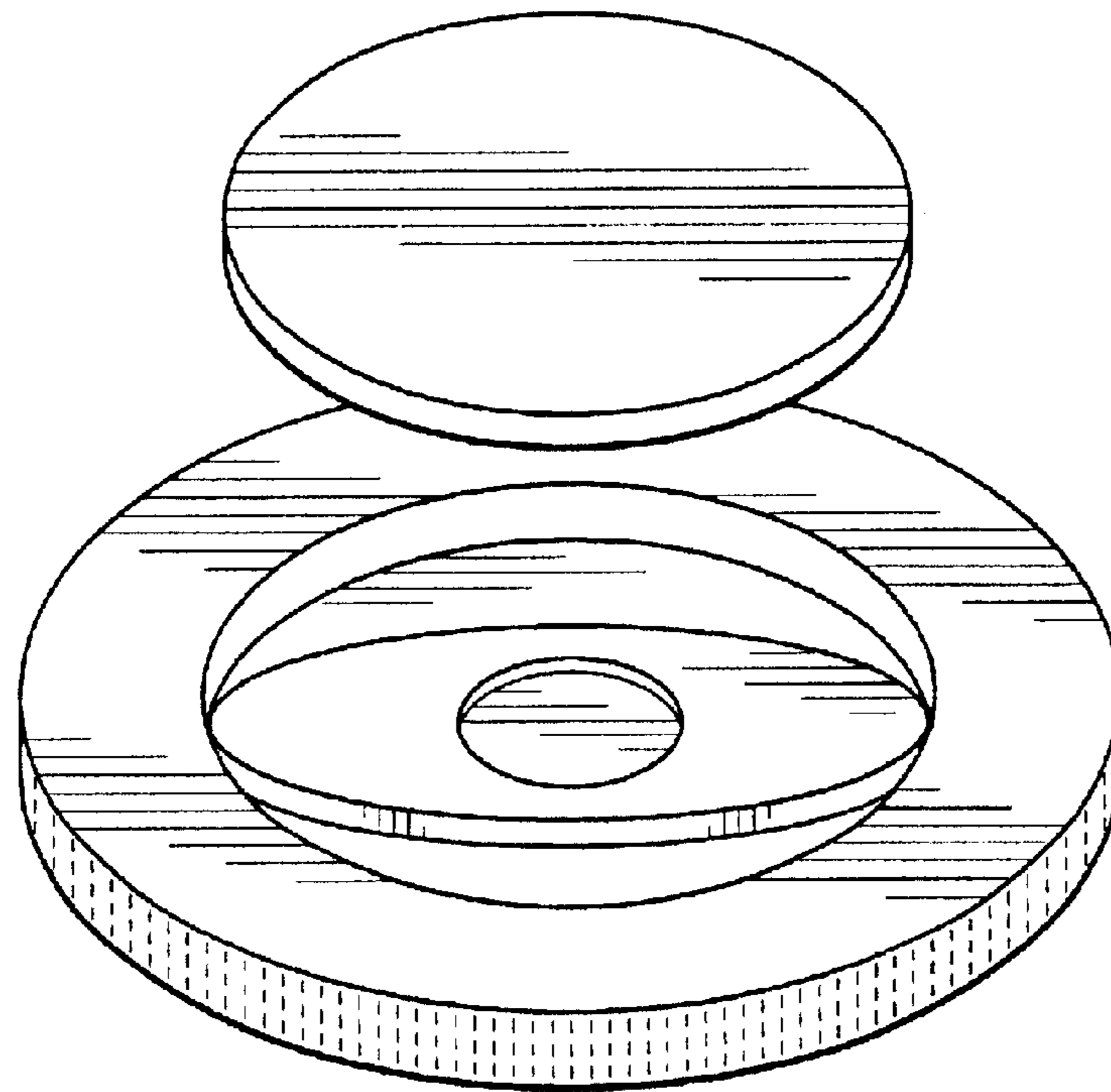


Fig.5

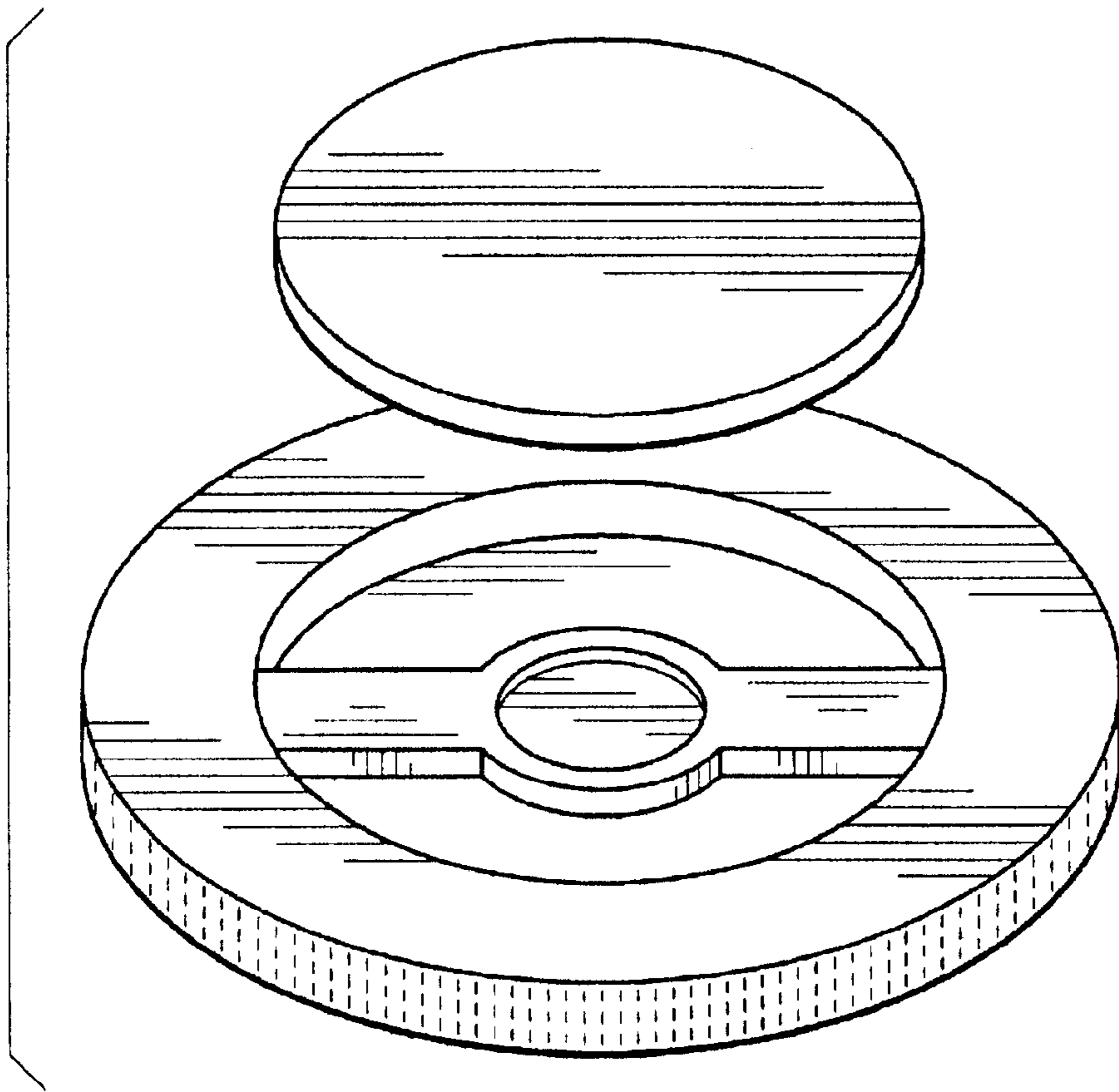


Fig.6