

US00D540901S

(12) **United States Design Patent**
Gilbert et al.

(10) **Patent No.:** **US D540,901 S**

(45) **Date of Patent:** **** *Apr. 17, 2007**

(54) **GOLF CLUB CAVITY WITH RIBBED INSERT**

(75) Inventors: **Peter J. Gilbert**, Carlsbad, CA (US);
John Kelley, San Francisco, CA (US);
Bruce R. Pettibone, Carlsbad, CA (US)

(73) Assignee: **Acushnet Company**, Fairhaven, MA
(US)

(*) Notice: This patent is subject to a terminal disclaimer.

(**) Term: **14 Years**

(21) Appl. No.: **29/251,955**

(22) Filed: **Jan. 17, 2006**

(51) **LOC (8) Cl.** **21-02**

(52) **U.S. Cl.** **D21/759**

(58) **Field of Classification Search** D21/747-751;
473/324-331, 350

See application file for complete search history.

(56) **References Cited**

U.S. PATENT DOCUMENTS

D383,820 S * 9/1997 Watanabe D21/749

D428,635 S * 7/2000 Nagai et al. D21/759
D449,086 S * 10/2001 Nagai et al. D21/759
D466,576 S * 12/2002 Nagai et al. D21/759
D490,490 S 5/2004 Gilbert et al.
D490,871 S 6/2004 Gilbert et al.
D512,475 S * 12/2005 Madore D21/759
D516,152 S * 2/2006 Madore D21/759
D517,626 S * 3/2006 Gilbert et al. D21/747

* cited by examiner

Primary Examiner—Mitchell Siegel

(57) **CLAIM**

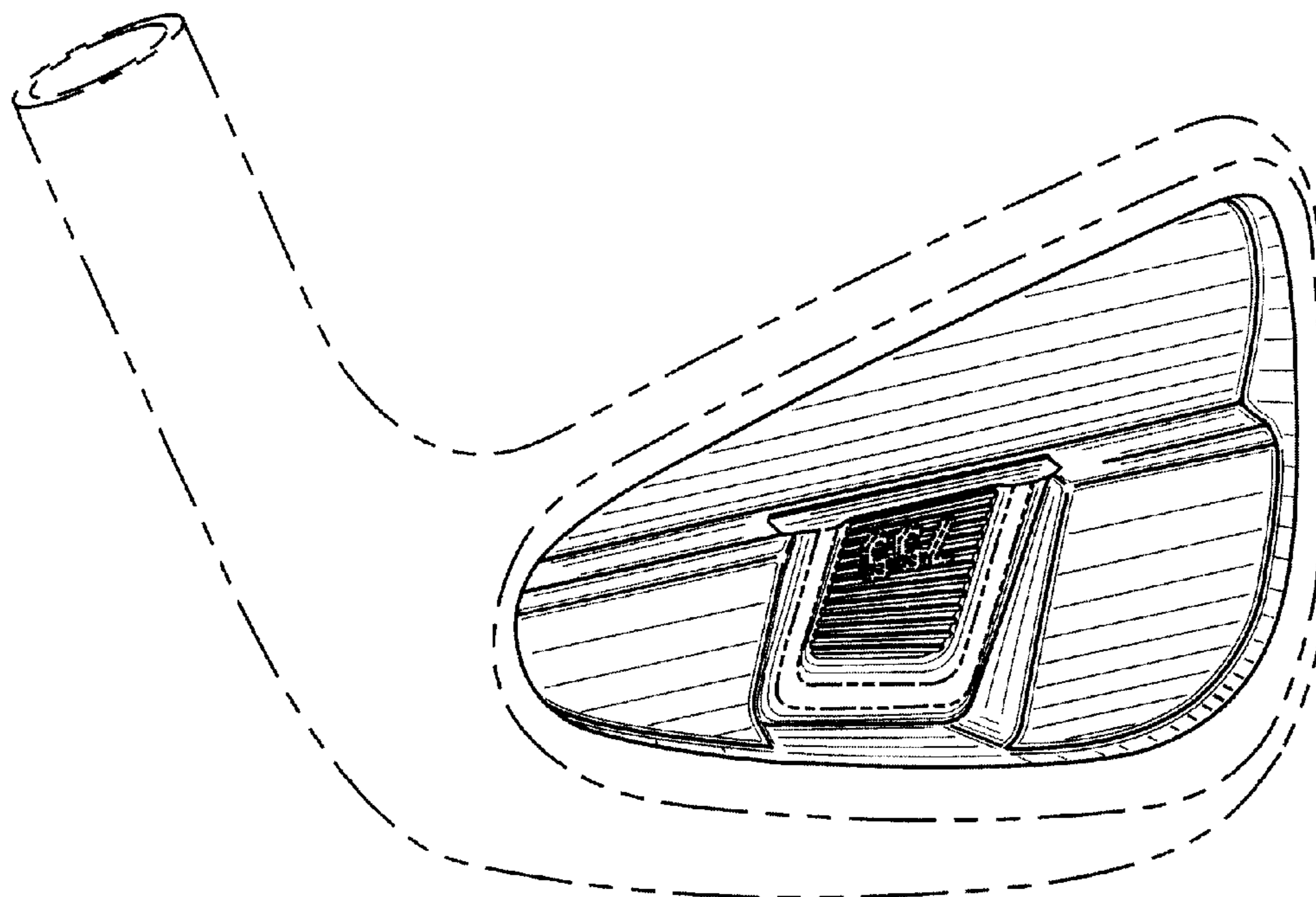
The ornamental design for a golf club cavity with a ribbed insert, as shown and described.

DESCRIPTION

FIG. 1 is a heel side perspective view of our new golf club cavity with a ribbed insert;
FIG. 2 is a back view thereof;
FIG. 3 is a heel side view thereof; and,
FIG. 4 is a bottom view thereof.

The portion of the golf club shown in phantom and the indicia in the back cavity shown in phantom does not form any portion of the present invention.

1 Claim, 2 Drawing Sheets



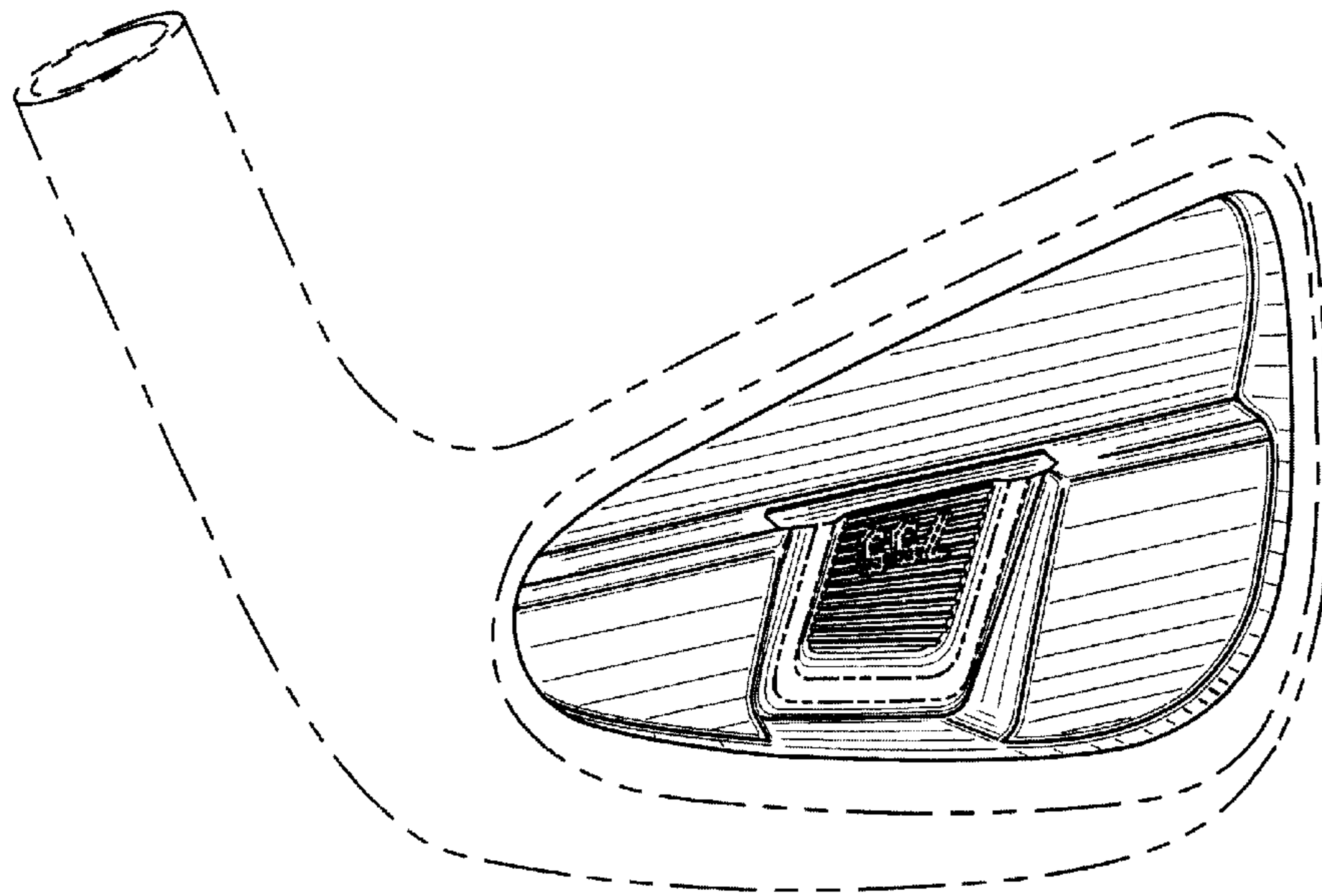


FIG. 1

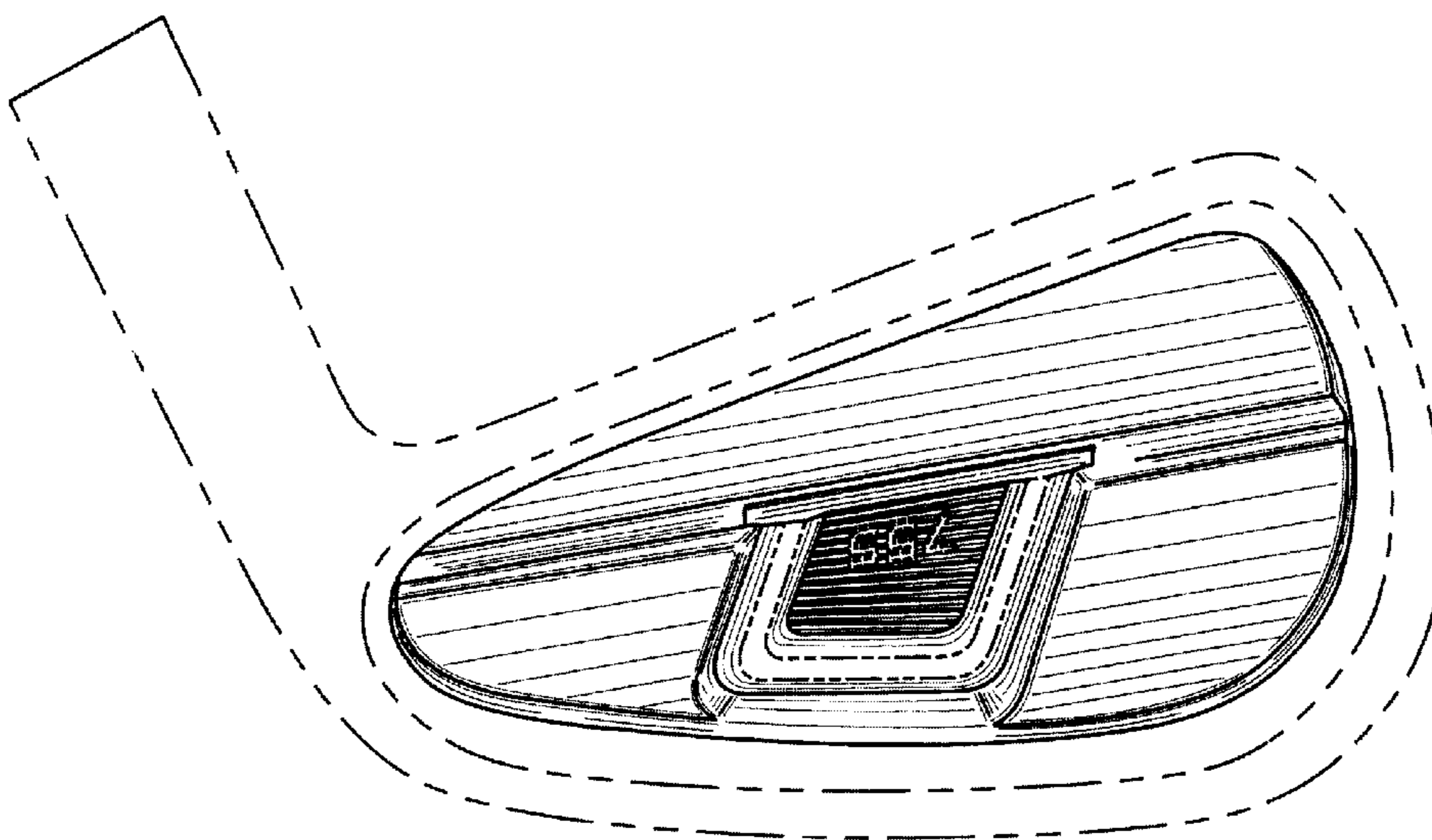


FIG. 2

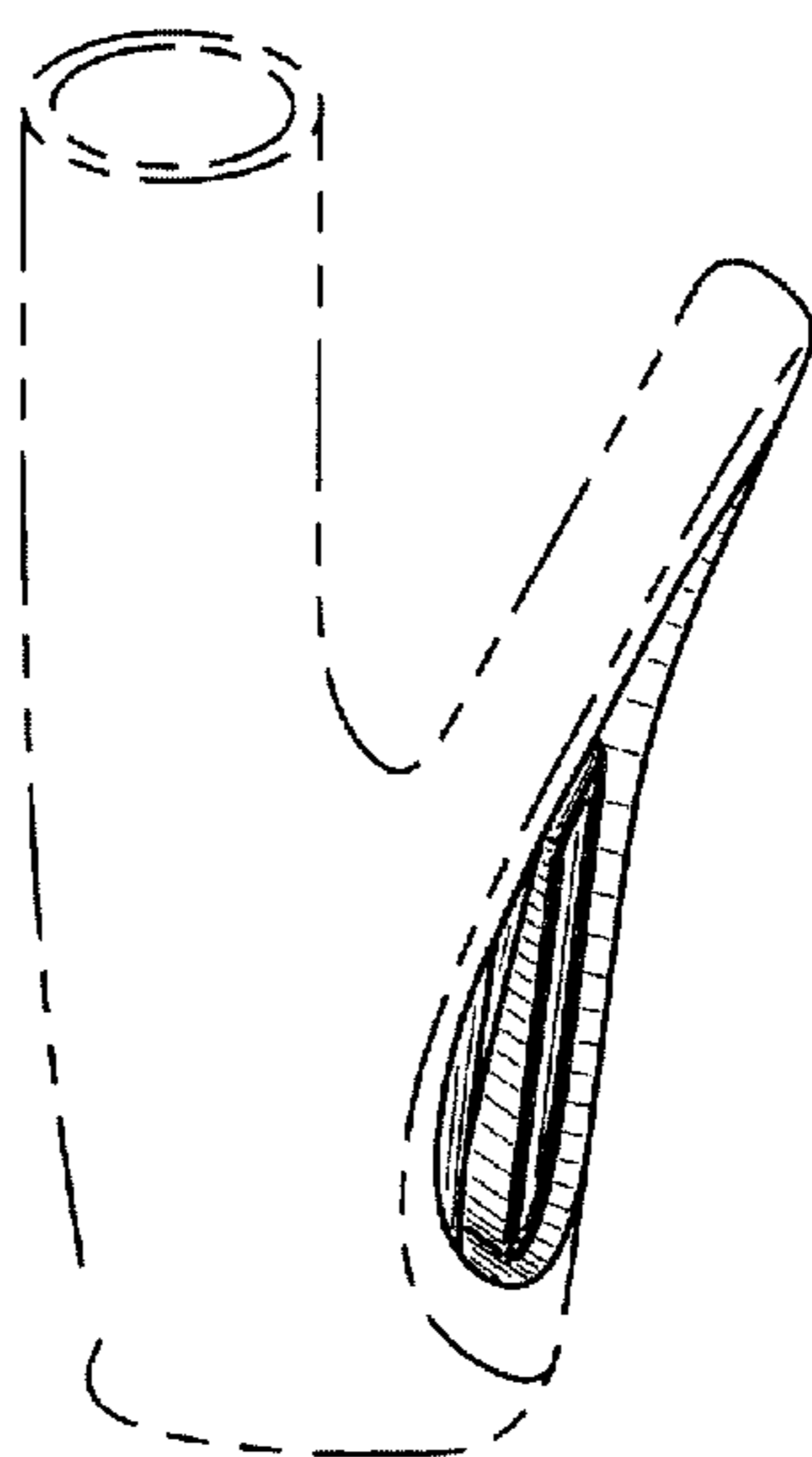


FIG. 3

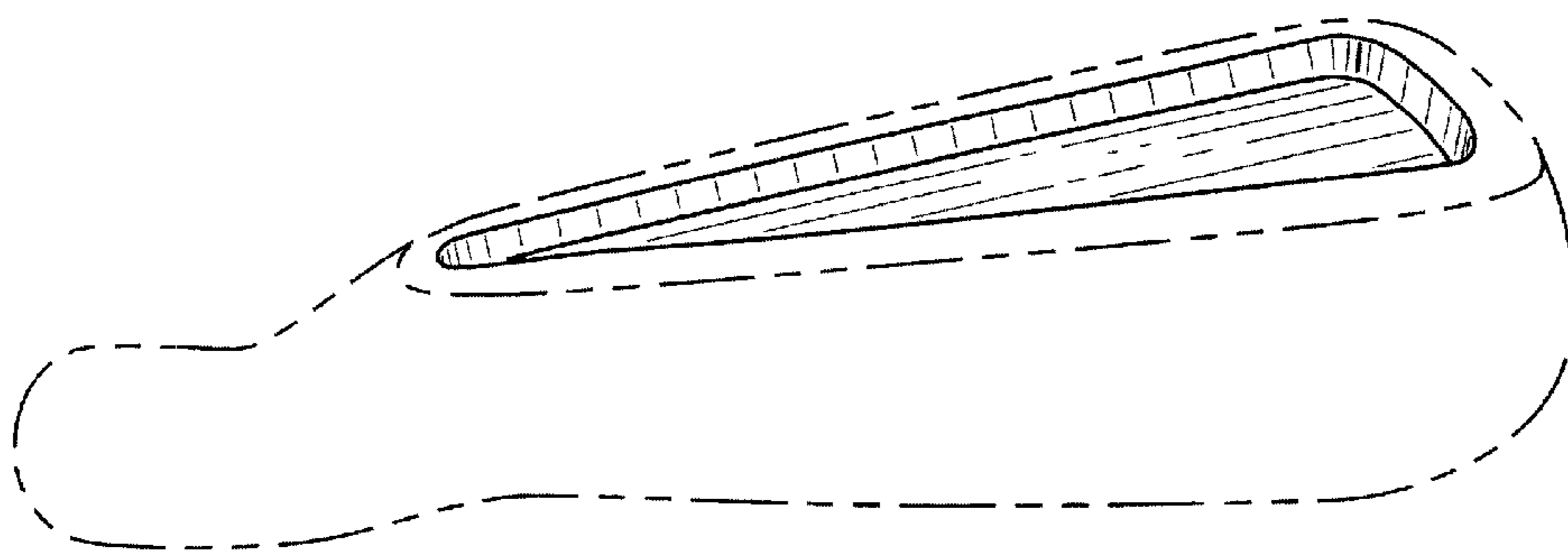


FIG. 4