

US00D540900S

(12) **United States Design Patent**
Gedeon

(10) **Patent No.:** **US D540,900 S**

(45) **Date of Patent:** **** Apr. 17, 2007**

(54) **SHAFT GRIP COMBINATION FOR A PUTTER**

(76) Inventor: **Robert J. Gedeon**, 2906 Eastwind Dr.,
Amelia Island, FL (US) 32034

(**) Term: **14 Years**

(21) Appl. No.: **29/229,773**

(22) Filed: **May 12, 2005**

(51) **LOC (8) Cl.** **21-02**

(52) **U.S. Cl.** **D21/757**

(58) **Field of Classification Search** D21/736-746,
D21/756, 757; 473/316-323

See application file for complete search history.

(56) **References Cited**

U.S. PATENT DOCUMENTS

2,018,723	A	*	10/1935	Hutchison	473/315
D404,449	S	*	1/1999	Burger	D21/727
D412,544	S	*	8/1999	Burger	D21/727
D421,782	S	*	3/2000	Ryu	D21/757
D430,249	S	*	8/2000	Burger	D21/757
D431,273	S	*	9/2000	Burger	D21/757
D449,867	S	*	10/2001	Ryu	D21/757
D504,166	S	*	4/2005	Bellefleur et al.	D21/757

D505,986 S * 6/2005 Bamber D21/757

* cited by examiner

Primary Examiner—Mitchell Siegel

(74) *Attorney, Agent, or Firm*—Arthur G. Yeager

(57) **CLAIM**

I claim the ornamental design for a shaft grip combination for a putter, as shown and described.

DESCRIPTION

FIG. 1 is a top perspective view of a shaft grip combination for a putter, showing a first embodiment of my new design in accord with my invention, the breaking being shown for clarity of the invention;

FIG. 2 is a front side elevational view thereof, showing the cap, hosel and putter head in broken lines and not a part of this invention;

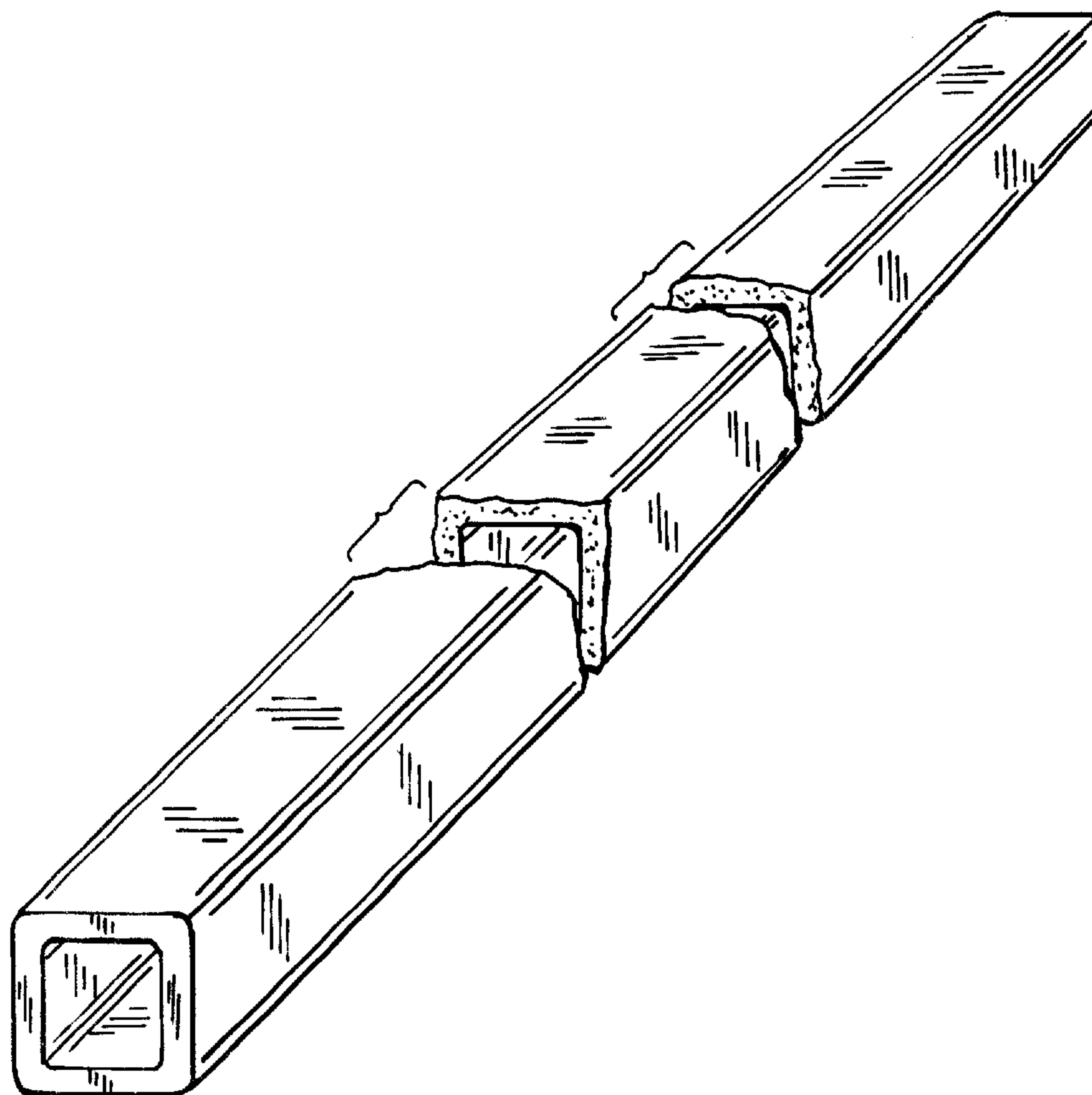
FIG. 2A is a front side elevational view thereof, showing the cap and putter head in broken lines and not a part of this invention;

FIG. 3 is a front side elevational view thereof, similar to FIG. 2 with the combination inserted into the putter head;

FIG. 4 is a top plan view thereof; and,

FIG. 5 is a bottom plan view thereof.

1 Claim, 3 Drawing Sheets



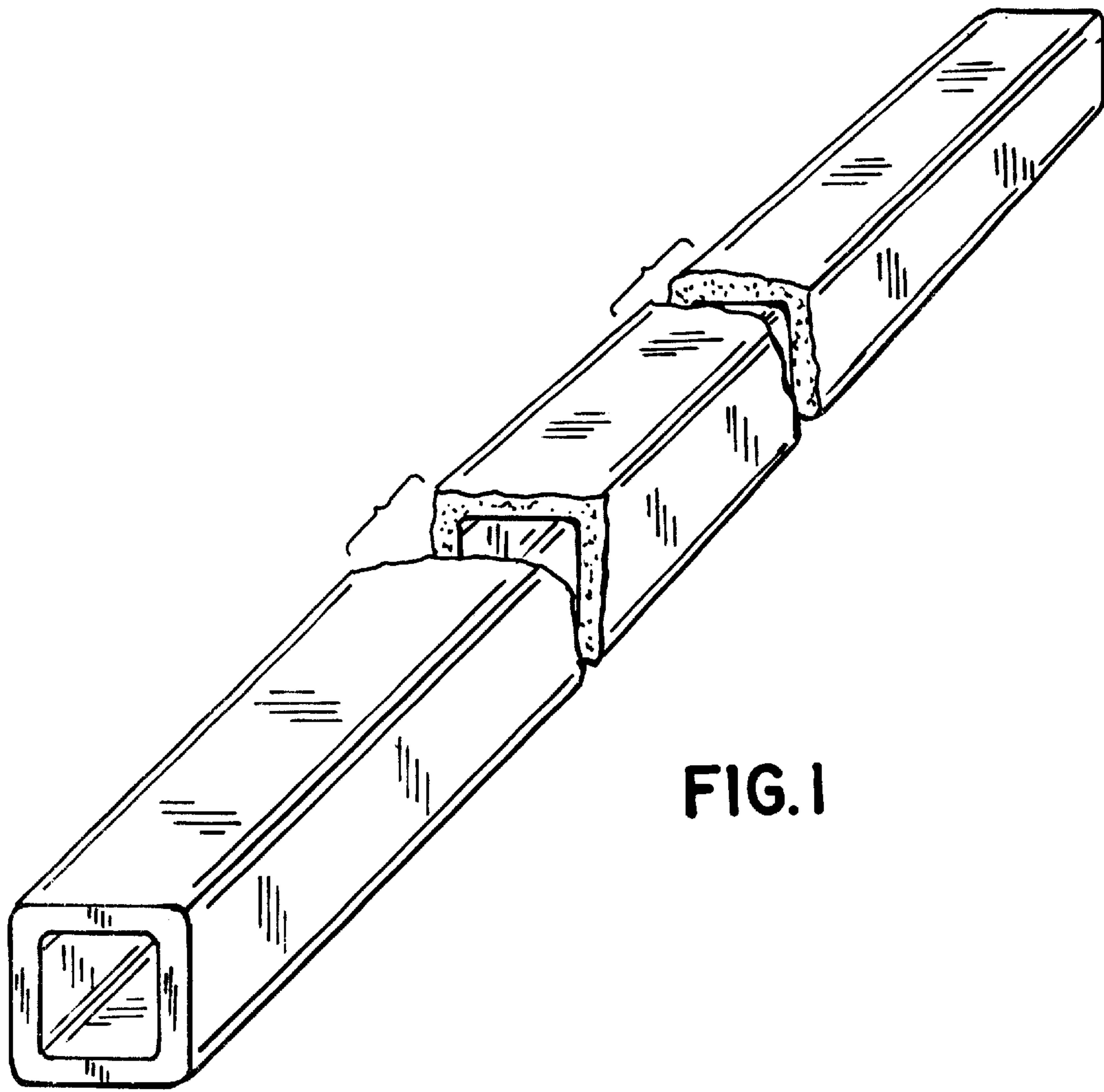


FIG. 1

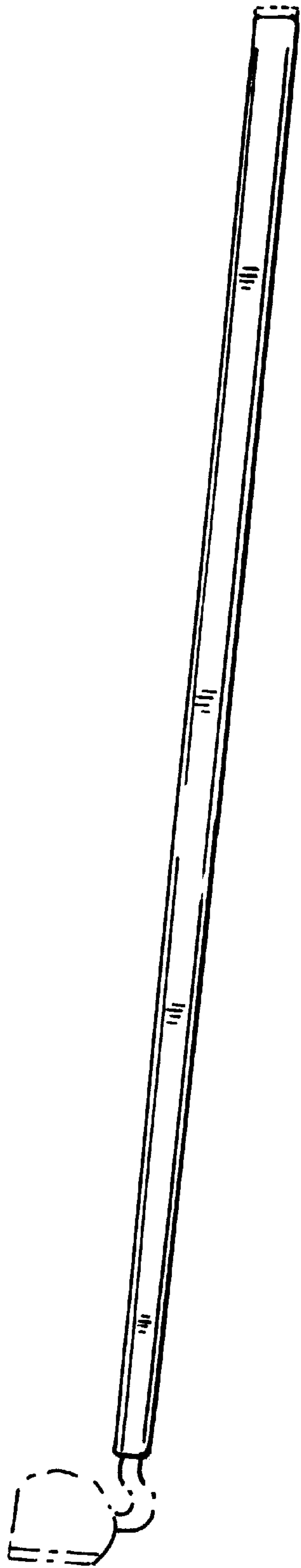


FIG. 2

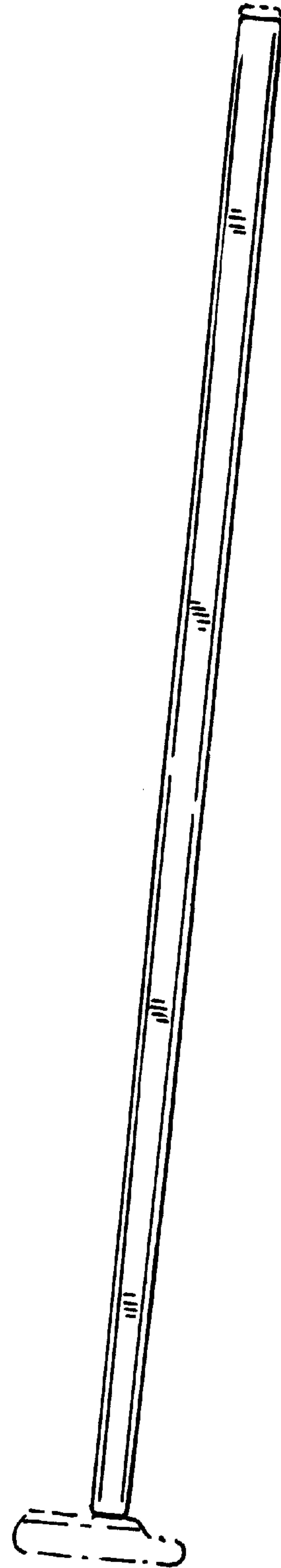


FIG. 2A

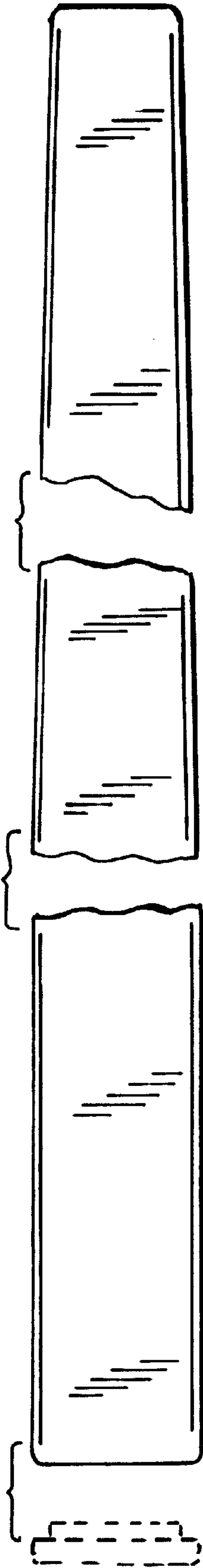


FIG. 3

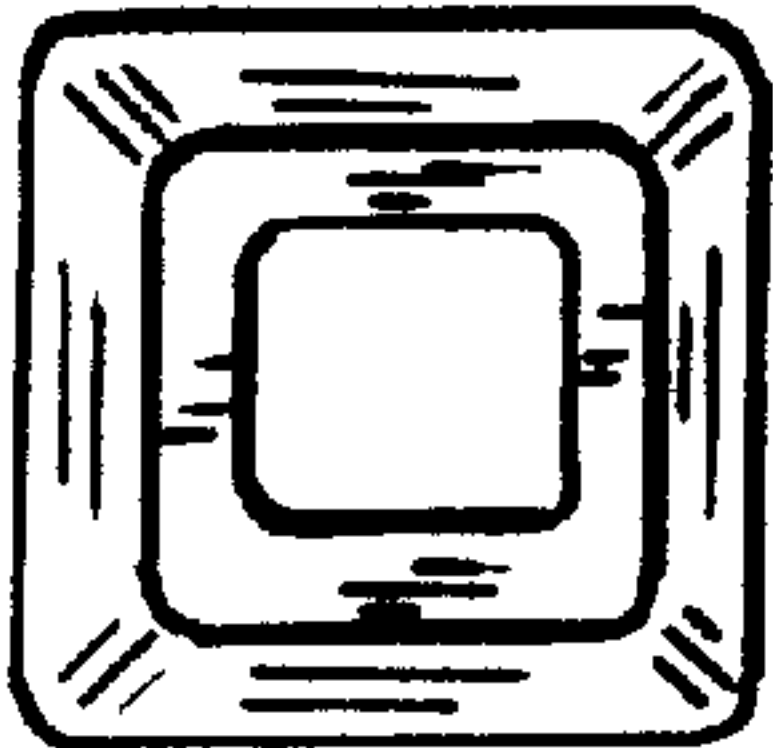


FIG. 5

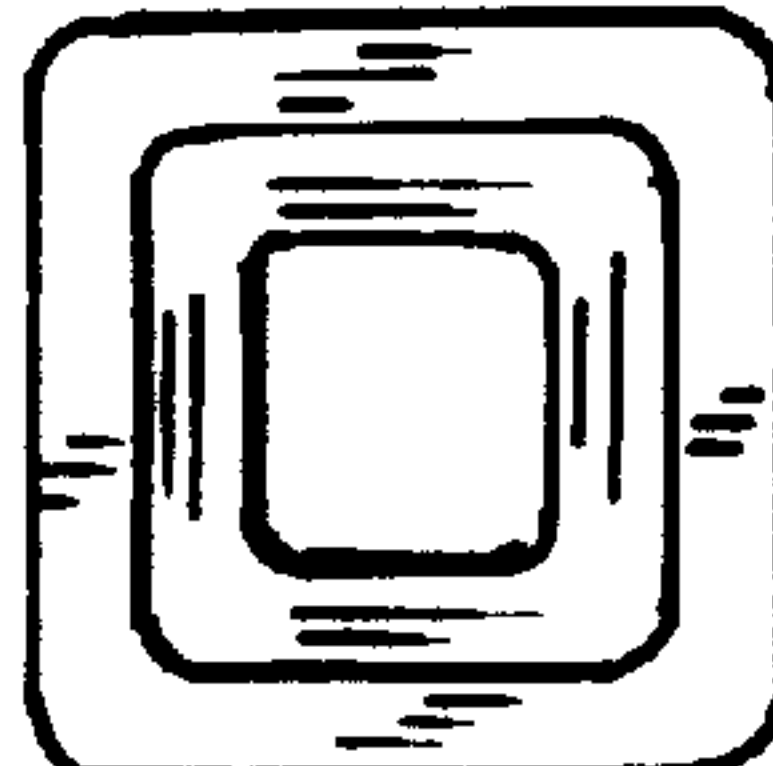


FIG. 4