

US00D540895S

(12) **United States Design Patent**
Chiu

(10) **Patent No.:** **US D540,895 S**

(45) **Date of Patent:** **** Apr. 17, 2007**

(54) **INFLATABLE BASKETBALL STAND**

2003/0153413 A1 * 8/2003 Wood et al. 473/479
2005/0070360 A1 * 3/2005 McEachen et al. 463/42

(76) Inventor: **Morris Chiu**, No. 8, Alleys, Lane 146,
Defu Rd., Taichung City 402 (TW)

* cited by examiner

(**) Term: **14 Years**

Primary Examiner—Catherine Tuttle
(74) *Attorney, Agent, or Firm*—Charles E. Baxley

(21) Appl. No.: **29/235,086**

(57) **CLAIM**

(22) Filed: **Jul. 28, 2005**

The ornamental design for an inflatable basketball stand, as shown and described.

(51) **LOC (8) Cl.** **21-02**

(52) **U.S. Cl.** **D21/702**

(58) **Field of Classification Search** D21/698–705,
D21/305; 473/479–489; 273/317.3, 402,
273/404, 407, 408, 410; 446/220–222
See application file for complete search history.

DESCRIPTION

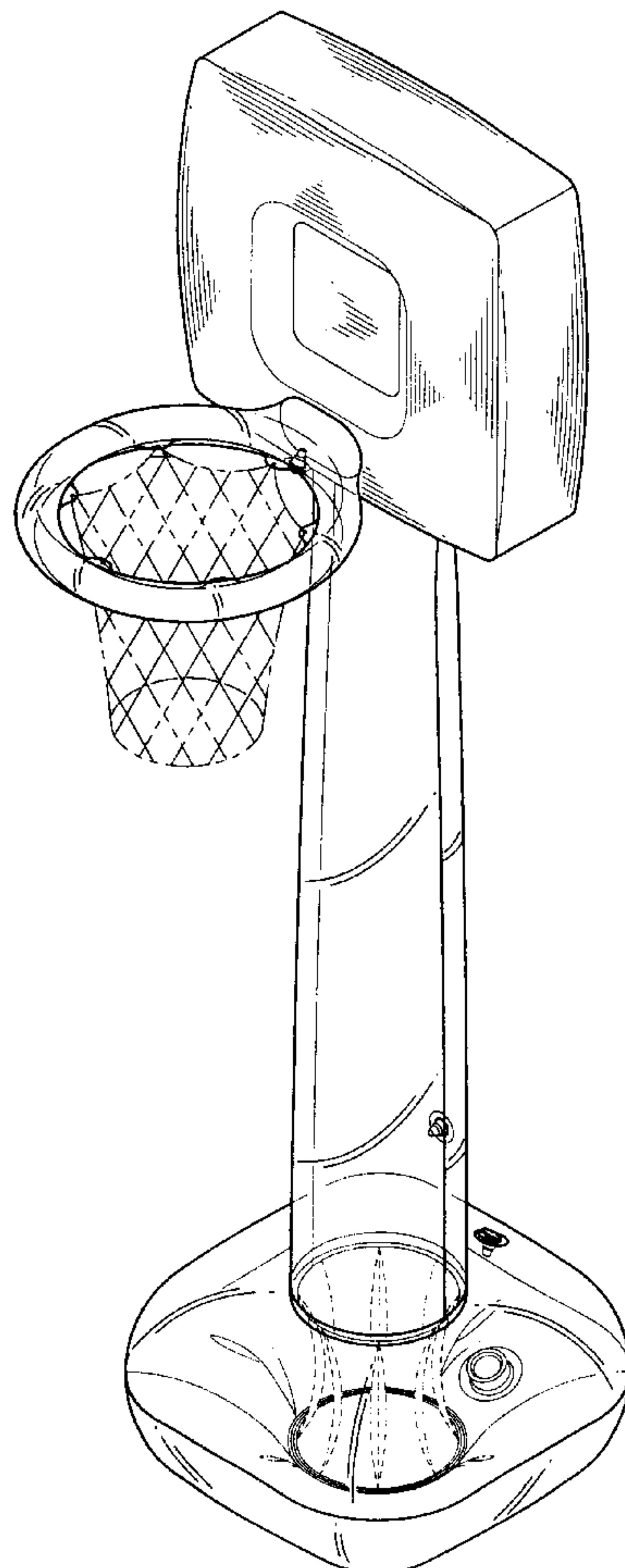
FIG. 1 is a perspective view of an inflatable basketball stand showing my new design.
FIG. 2 is a front elevational view thereof;
FIG. 3 is a rear elevational view thereof,
FIG. 4 is a left side elevational view thereof,
FIG. 5 is a right side elevational view thereof,
FIG. 6 is a top plan view thereof; and
FIG. 7 is a bottom plan view thereof; and,
FIG. 8 is a perspective view showing the design in association with environmental structure in broken lines; the broken lines being for illustrative purposes only; and forming no part of the claimed design.

(56) **References Cited**

U.S. PATENT DOCUMENTS

2,939,707	A	*	6/1960	Lemelson	273/402
4,759,545	A	*	7/1988	Grable	473/481
D353,641	S	*	12/1994	Liu	D21/702
D360,667	S	*	7/1995	Liu	D21/703
D403,834	S	*	1/1999	Nulman	D99/37
D433,471	S	*	11/2000	Hsu et al.	D21/701
D440,613	S	*	4/2001	Davis et al.	D21/702

1 Claim, 8 Drawing Sheets



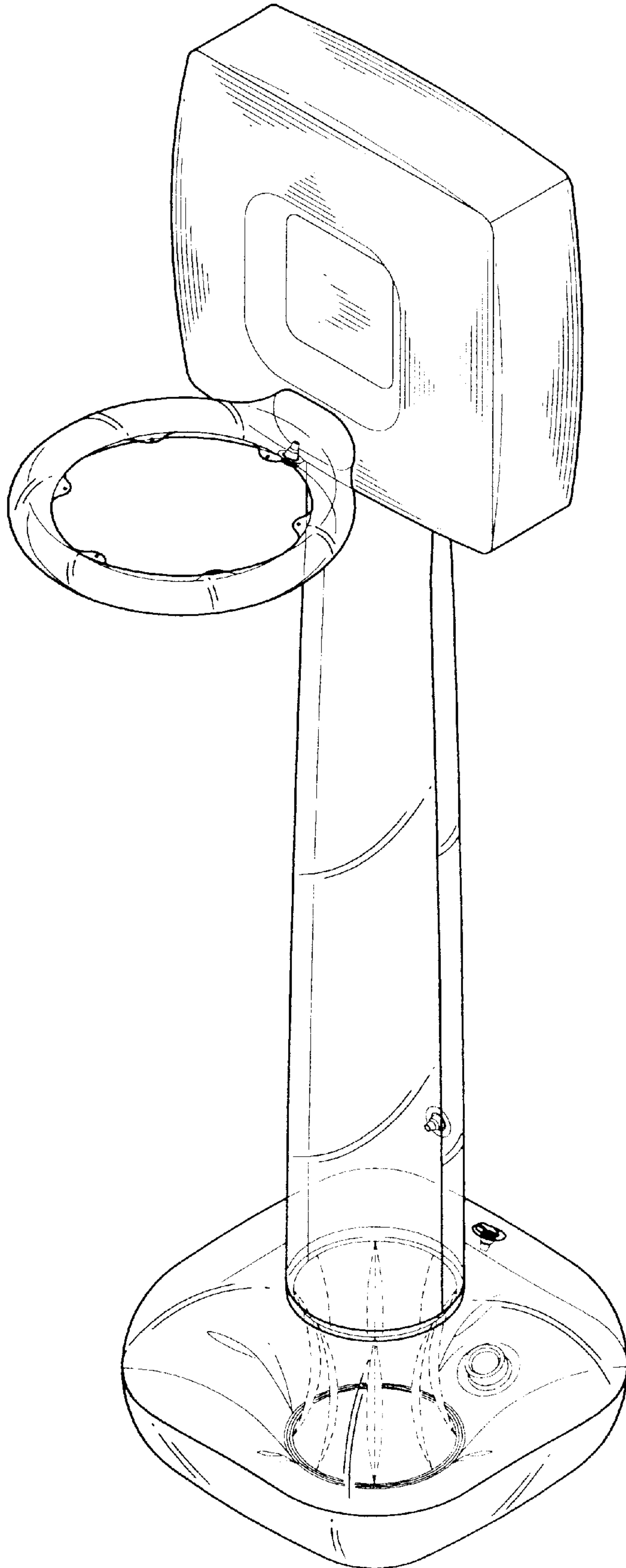


FIG. 1

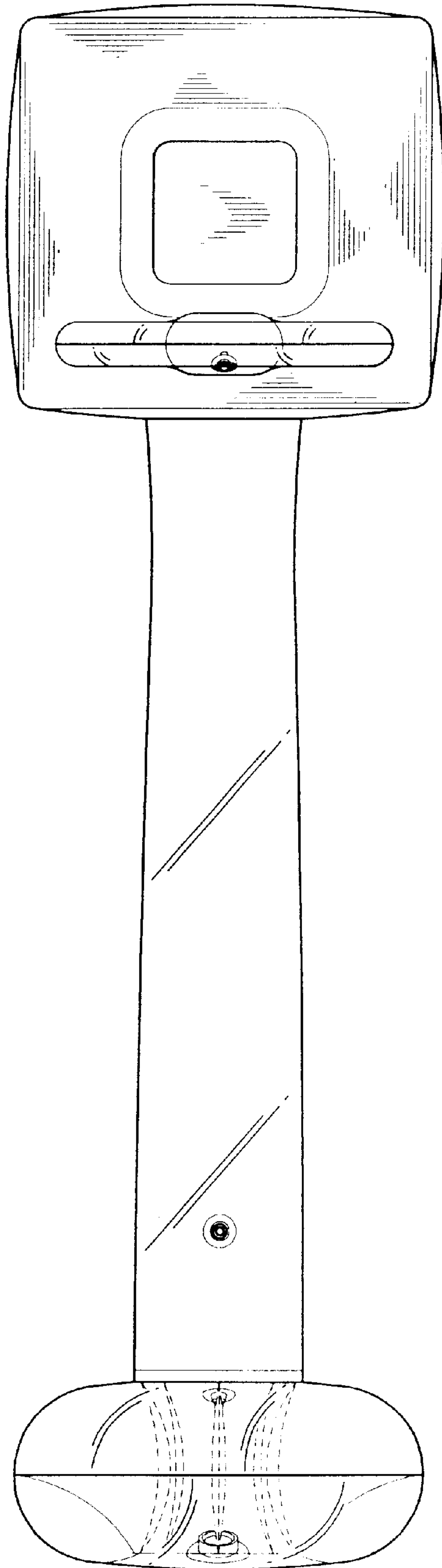


FIG. 2

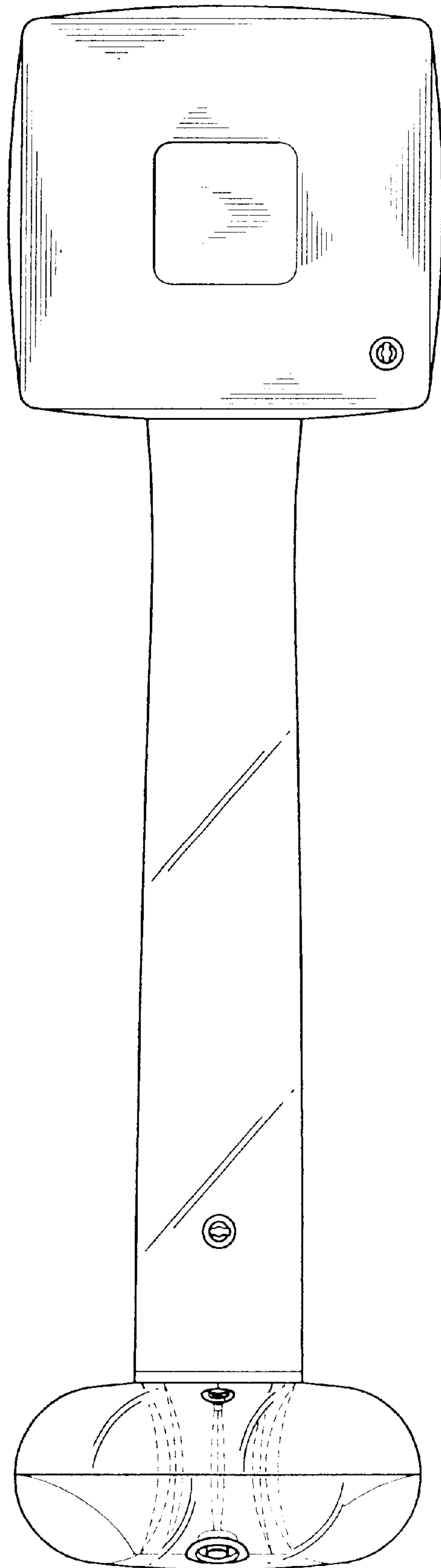


FIG. 3

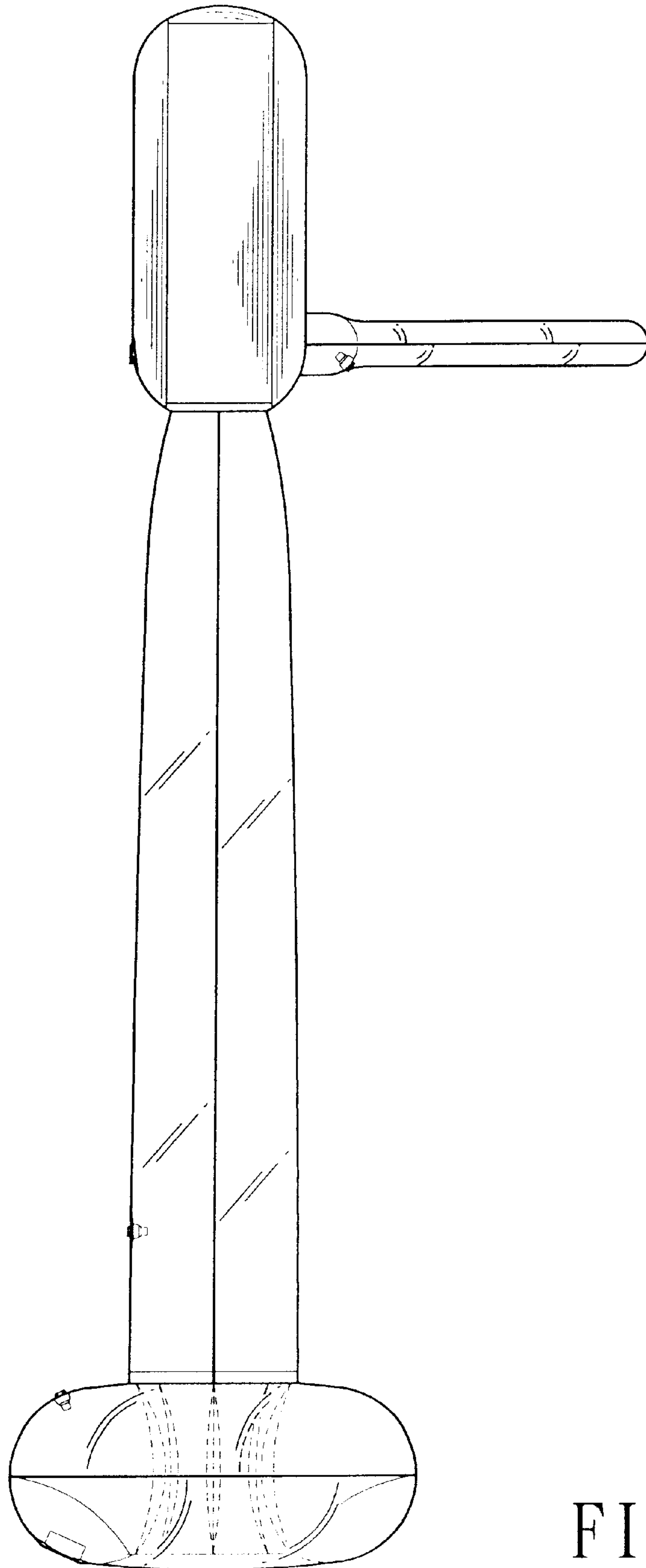


FIG. 4

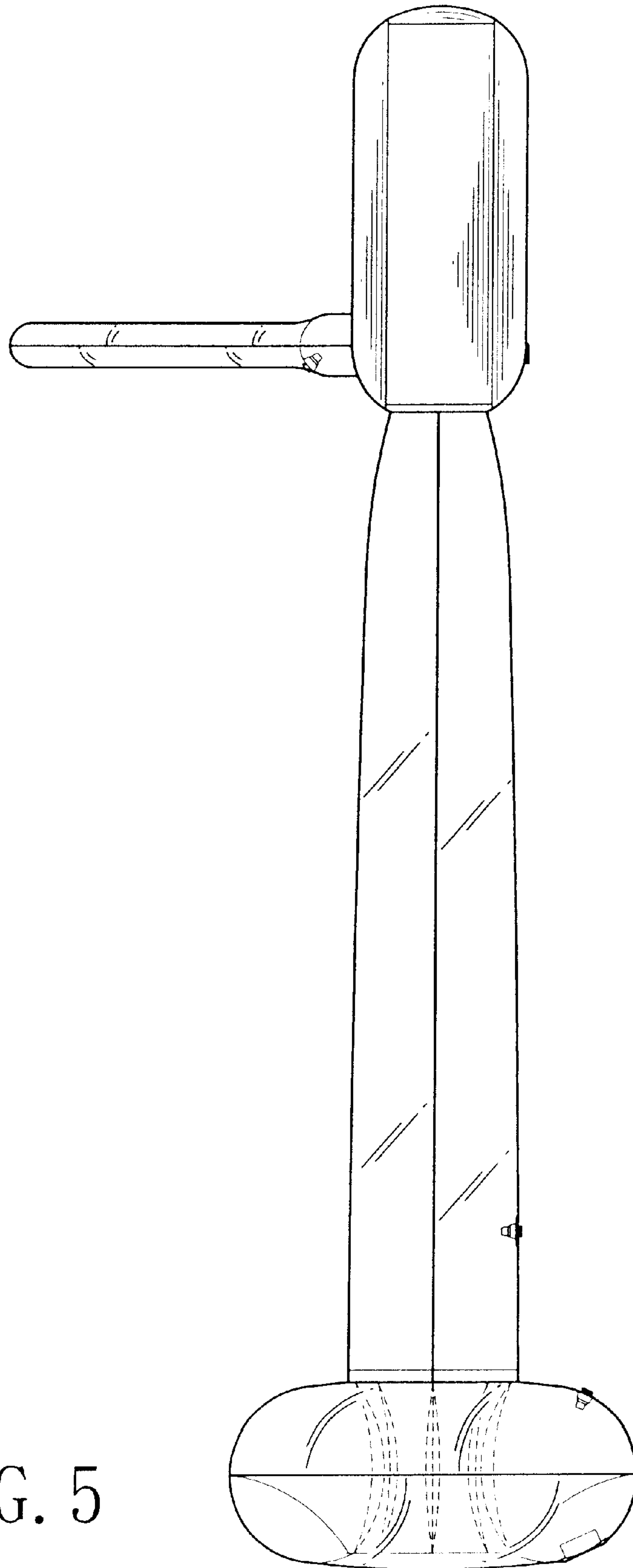


FIG. 5

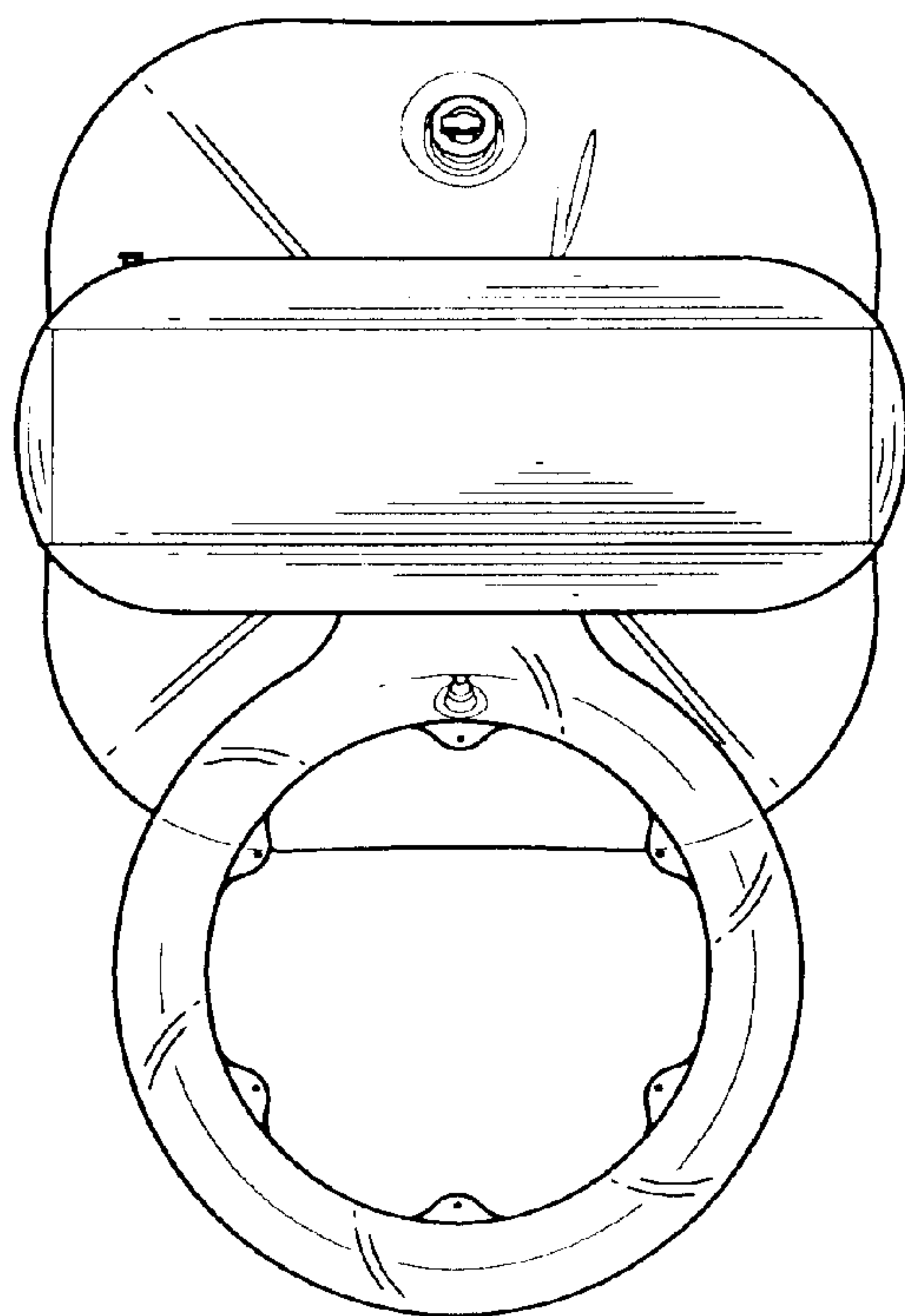


FIG. 6

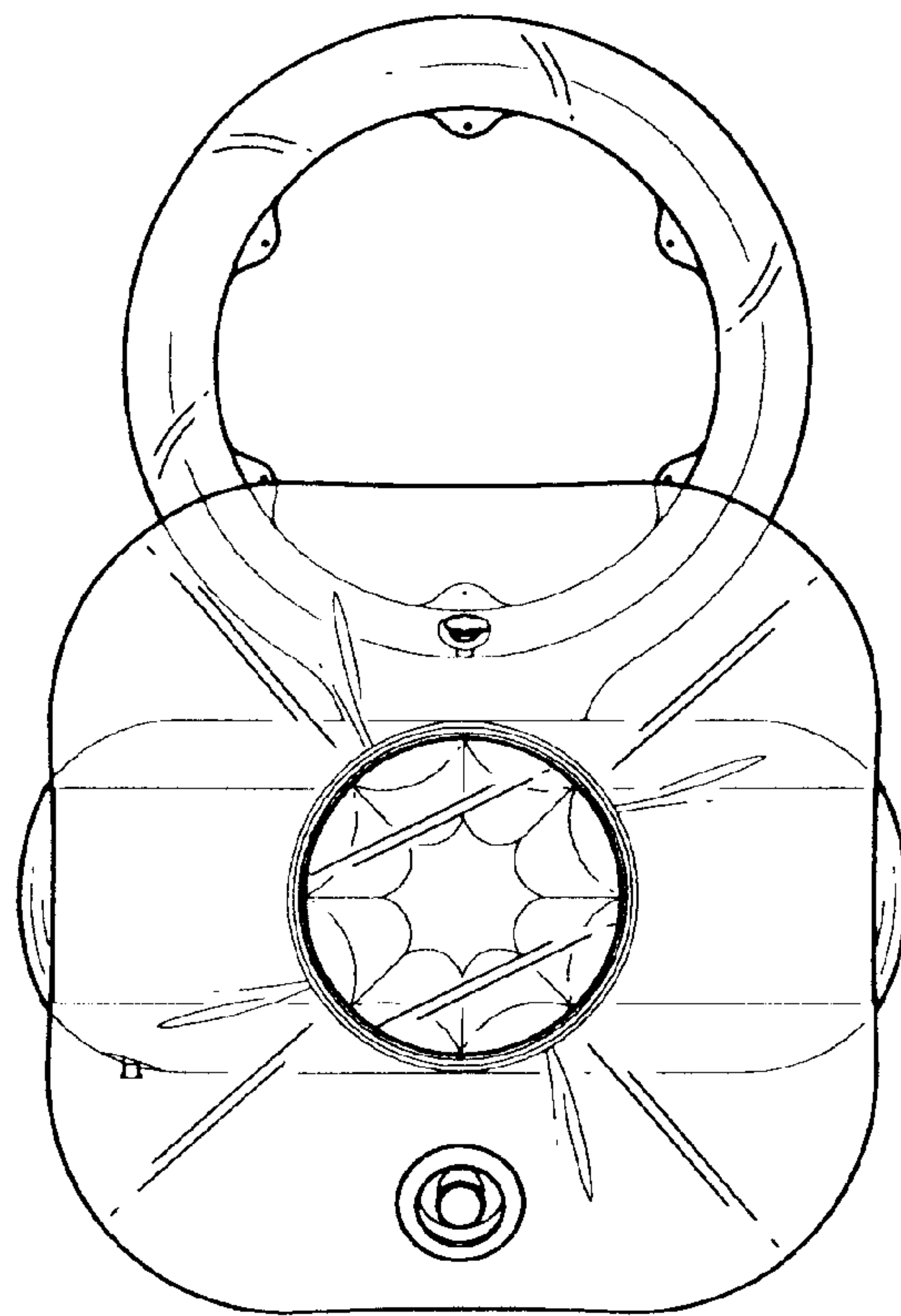


FIG. 7

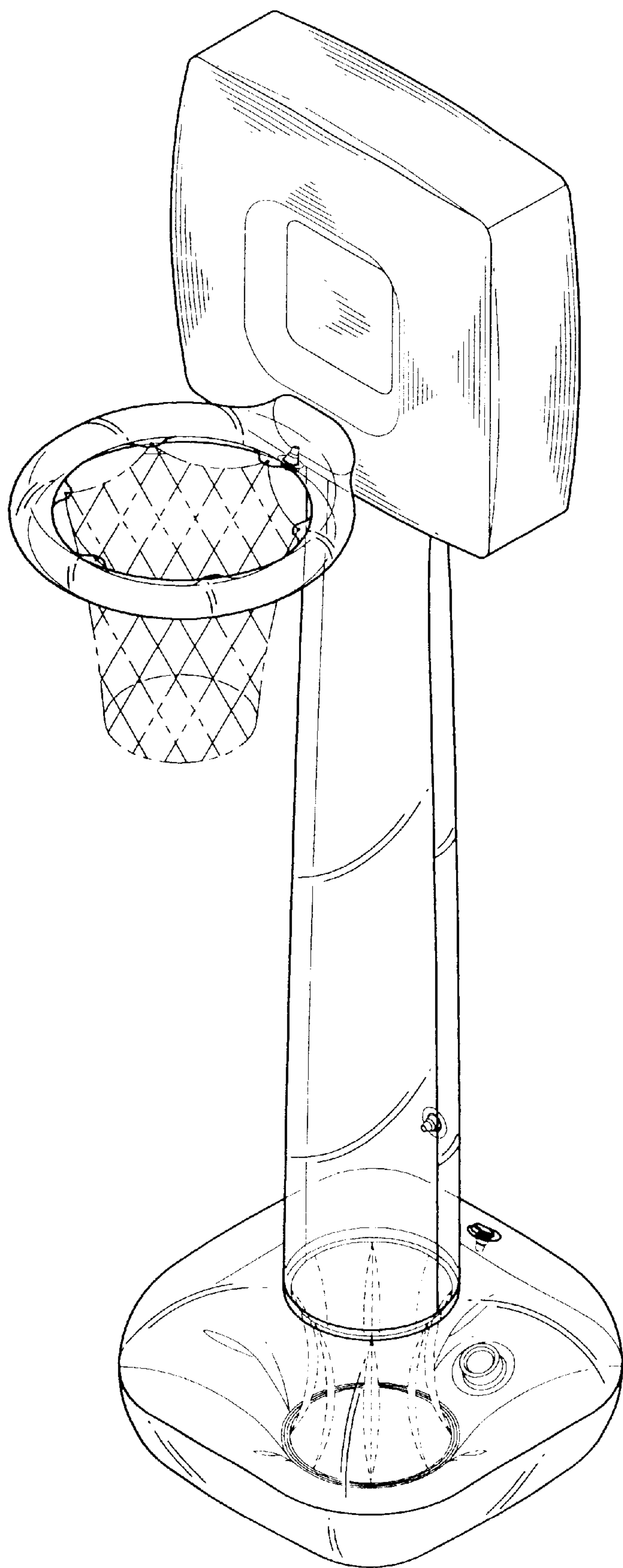


FIG. 8