



US00D540888S

(12) **United States Design Patent**
Lee et al.

(10) **Patent No.:** **US D540,888 S**
(45) **Date of Patent:** **** Apr. 17, 2007**

(54) **REVERSIBLE CYCLE TOY**

(75) Inventors: **Robert F. S. Lee**, Newbury Park, CA (US); **Mark G. Tebbe**, Ventura, CA (US); **Paul R. Wilson**, Camarillo, CA (US)

(73) Assignee: **Lanard Toys Limited**, Hong Kong (HK)

(**) Term: **14 Years**

(21) Appl. No.: **29/215,677**

(22) Filed: **Oct. 22, 2004**

(30) **Foreign Application Priority Data**

Jul. 7, 2004 (HK) 0411479.1

(51) **LOC (8) Cl.** **21-01**

(52) **U.S. Cl.** **D21/538**

(58) **Field of Classification Search** D21/419-435, D21/533, 538, 550-560; D12/110, 112; 446/424, 446/425, 427, 433, 440, 454, 456, 457, 462, 446/465, 470, 451; 280/1.13, 828, 87.01, 280/87.021, 47.11; 180/219

See application file for complete search history.

(56) **References Cited**

U.S. PATENT DOCUMENTS

3,733,739 A * 5/1973 Terzian 446/462
D294,278 S * 2/1988 Ukisu D21/560

5,727,985 A * 3/1998 George et al. 446/437
5,919,075 A * 7/1999 George et al. 446/437
5,921,843 A * 7/1999 Skrivan et al. 446/433
D428,068 S * 7/2000 Lerch D21/432
6,120,345 A * 9/2000 Lenihan et al. 446/431
6,589,098 B2 * 7/2003 Lee et al. 446/465
D491,109 S * 6/2004 Walters D12/110

OTHER PUBLICATIONS

Tower Hobbies: Speedmart 2003 cat. p. 134.*

* cited by examiner

Primary Examiner—Raphael Barkai

Assistant Examiner—Randall H. Gholson

(74) *Attorney, Agent, or Firm*—Kenneth J. Hovet; Nordman Cormany Hair & Compton, LLP

(57) **CLAIM**

The ornamental design for a reversible cycle toy, as shown and described.

DESCRIPTION

FIG. 1 is a front elevational view of the reversible cycle toy showing our new design;

FIG. 2 is a right side elevational view thereof;

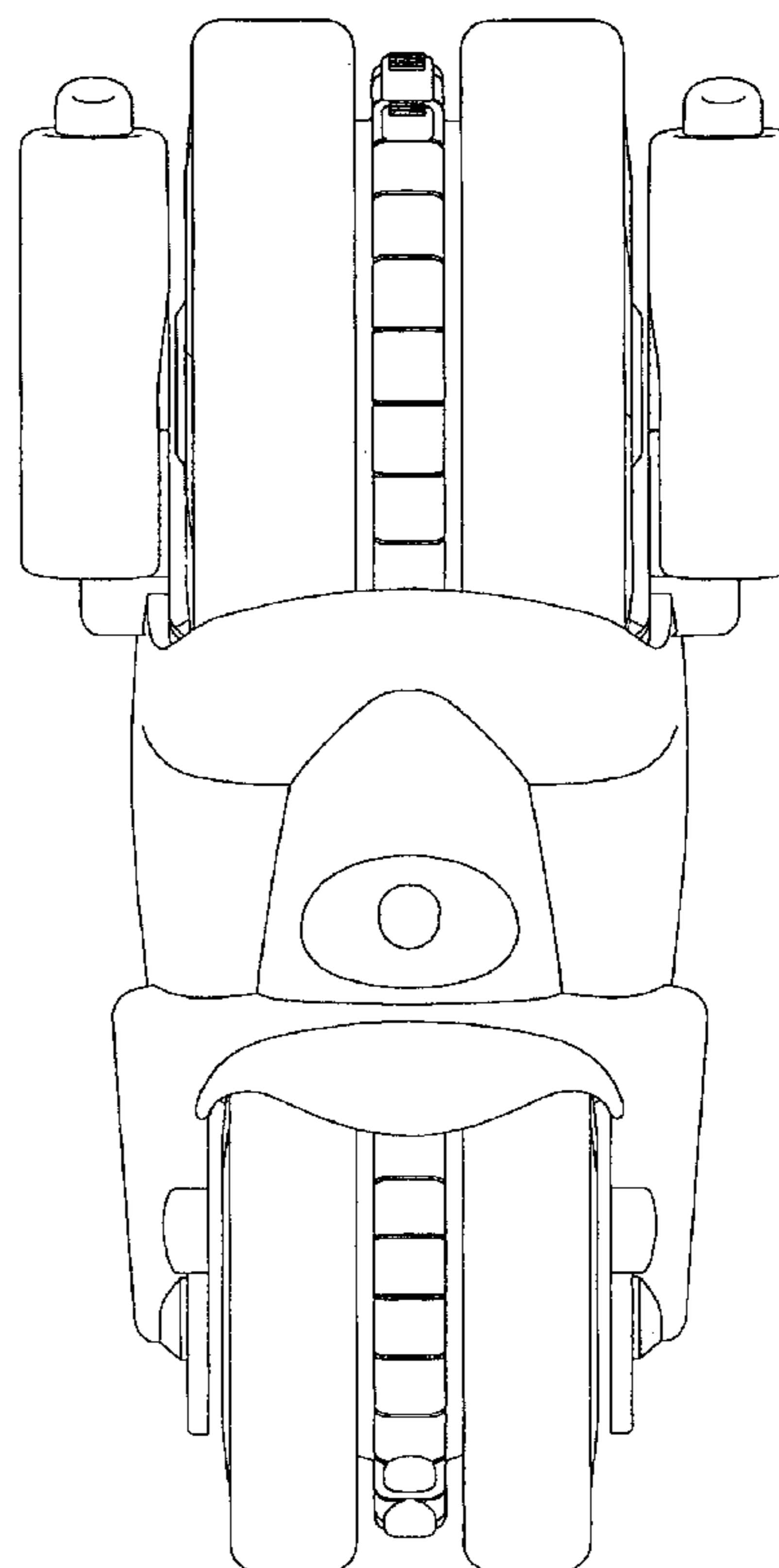
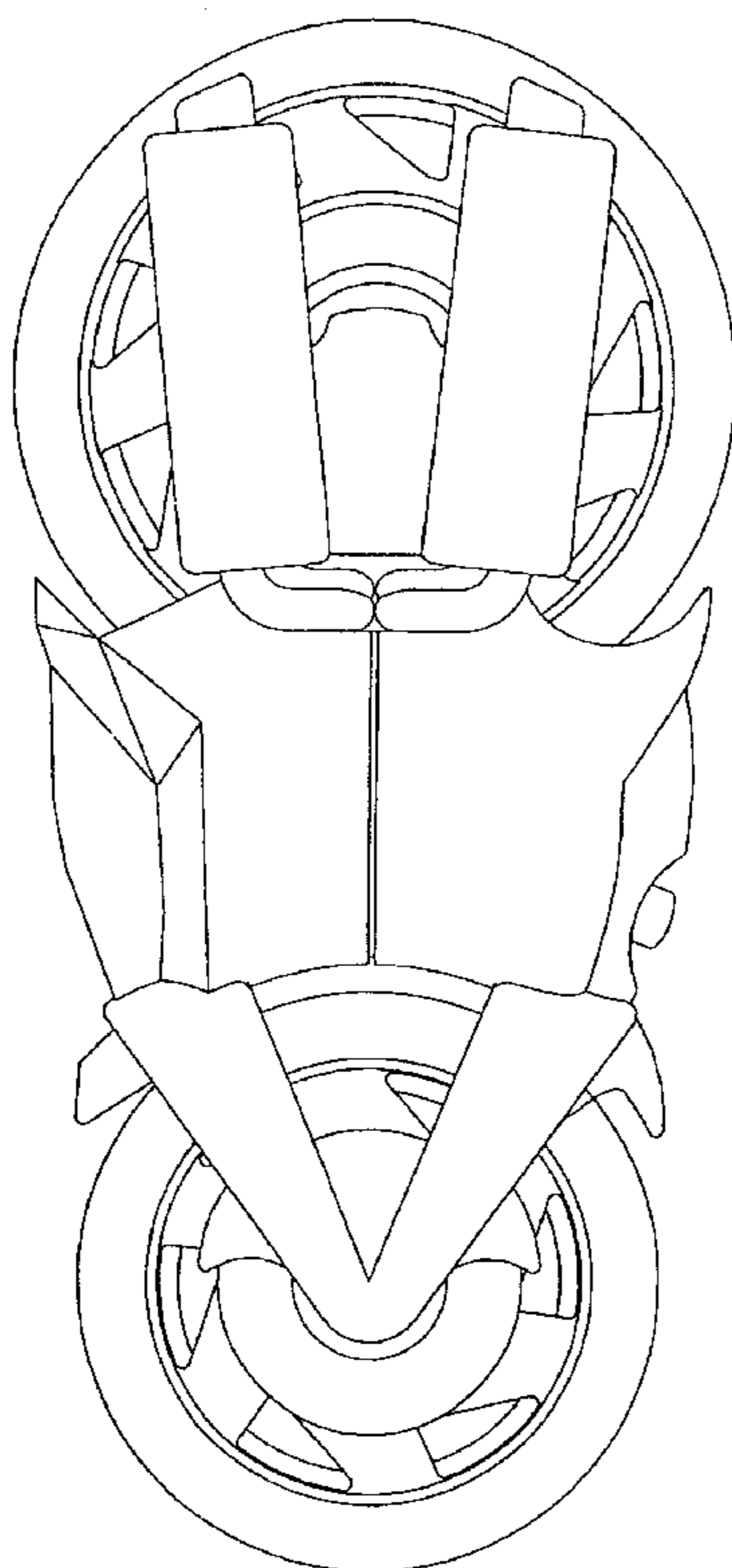
FIG. 3 is a left side elevational view thereof;

FIG. 4 is a rear elevational view thereof;

FIG. 5 is a top plan view thereof; and,

FIG. 6 is a bottom plan view thereof.

1 Claim, 6 Drawing Sheets



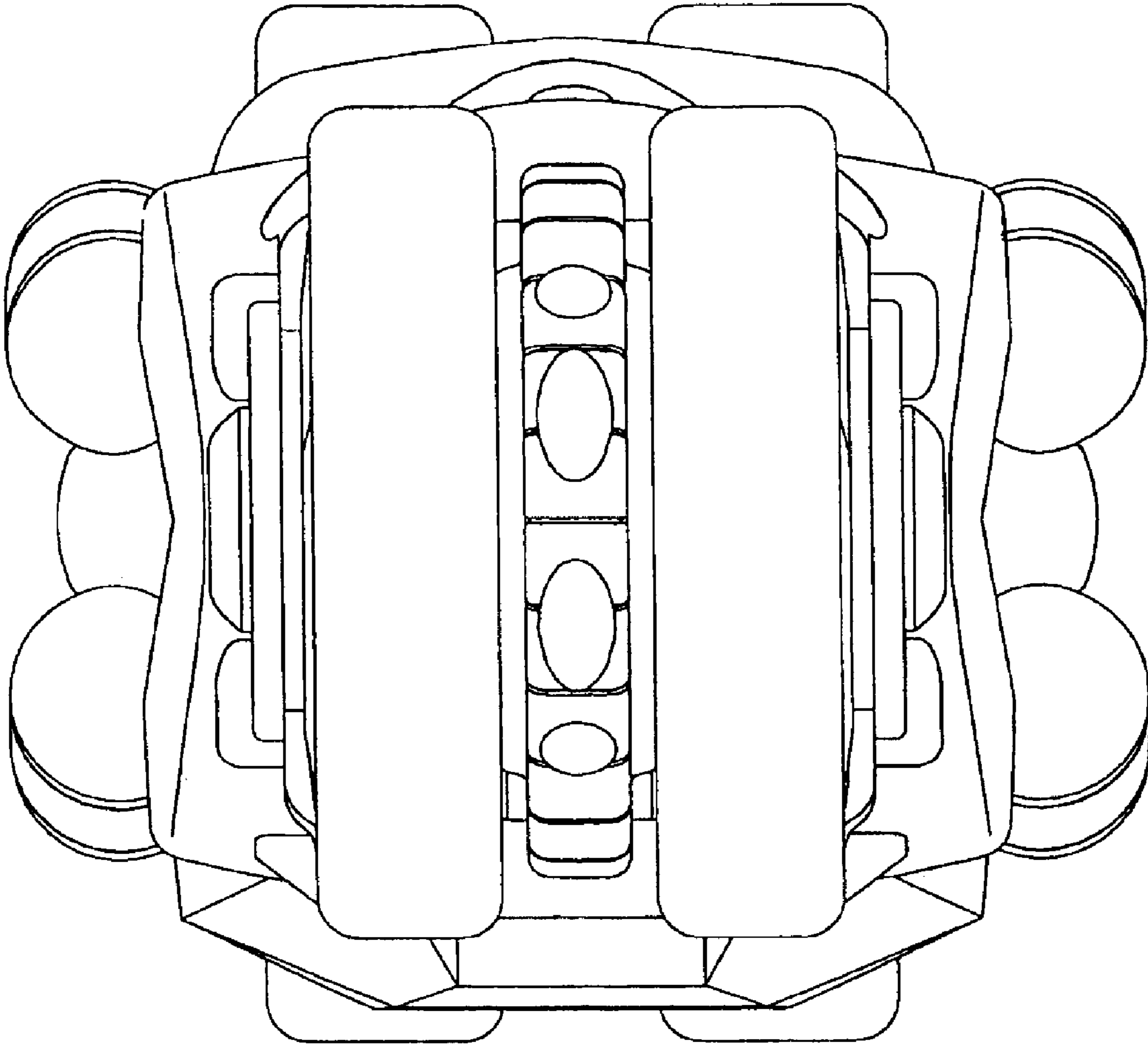


FIG. 1

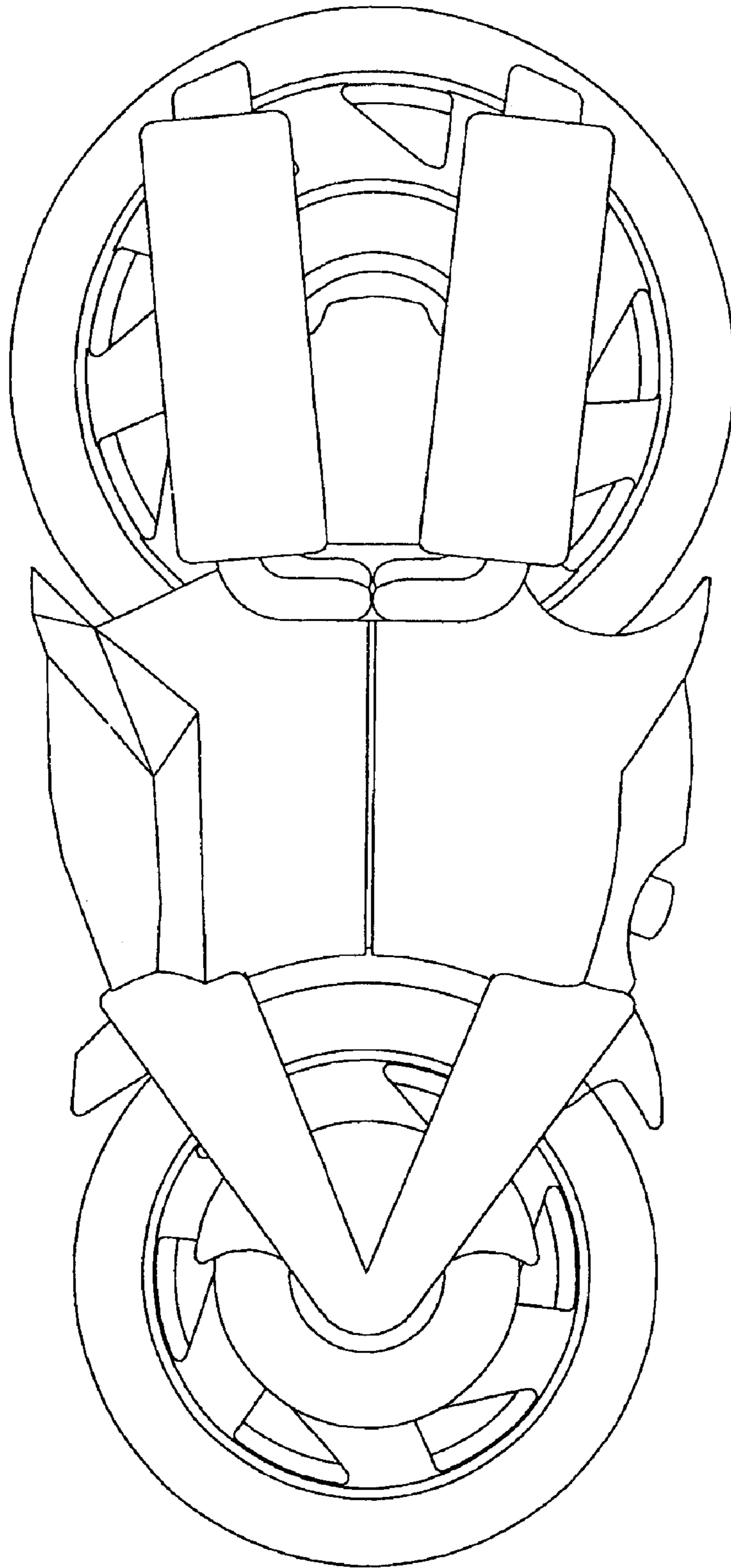


FIG. 2

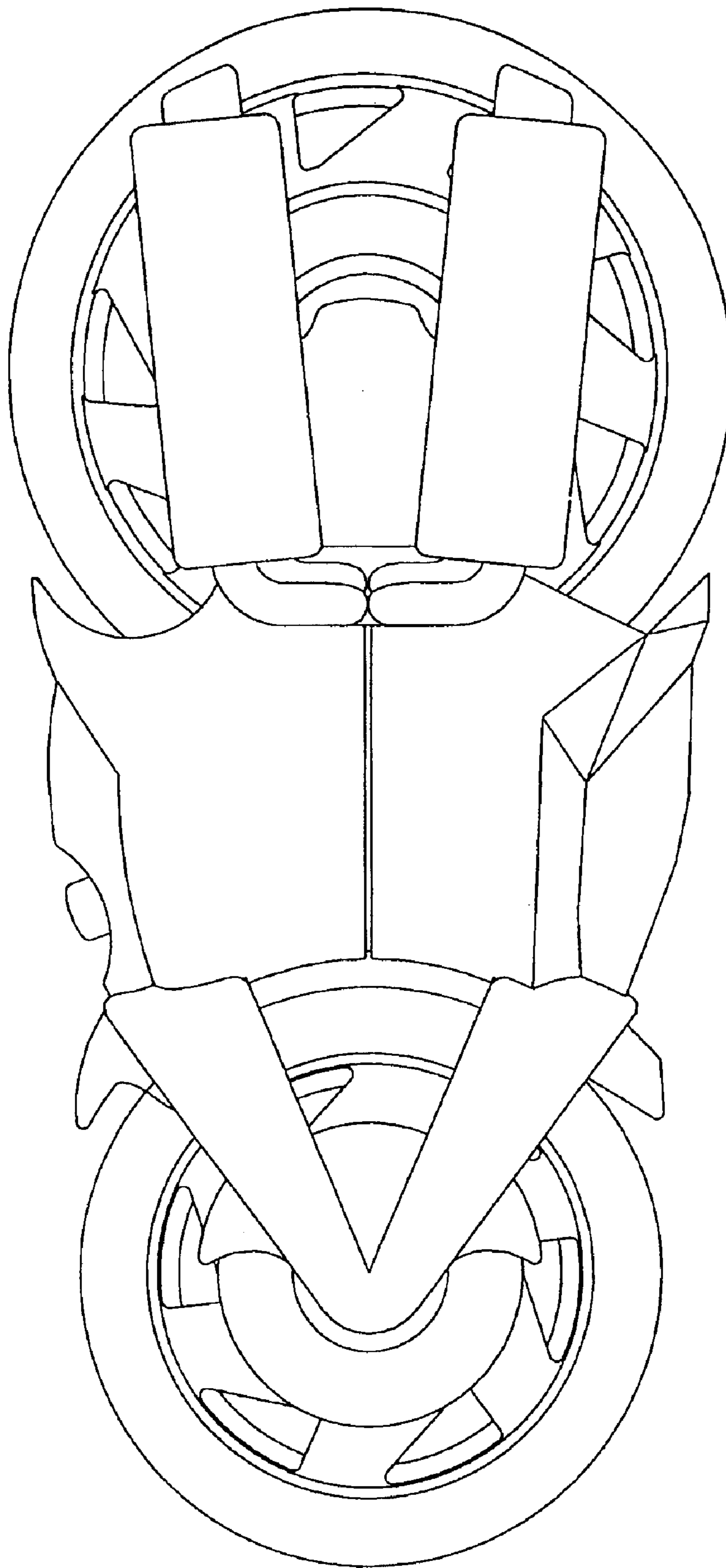


FIG. 3

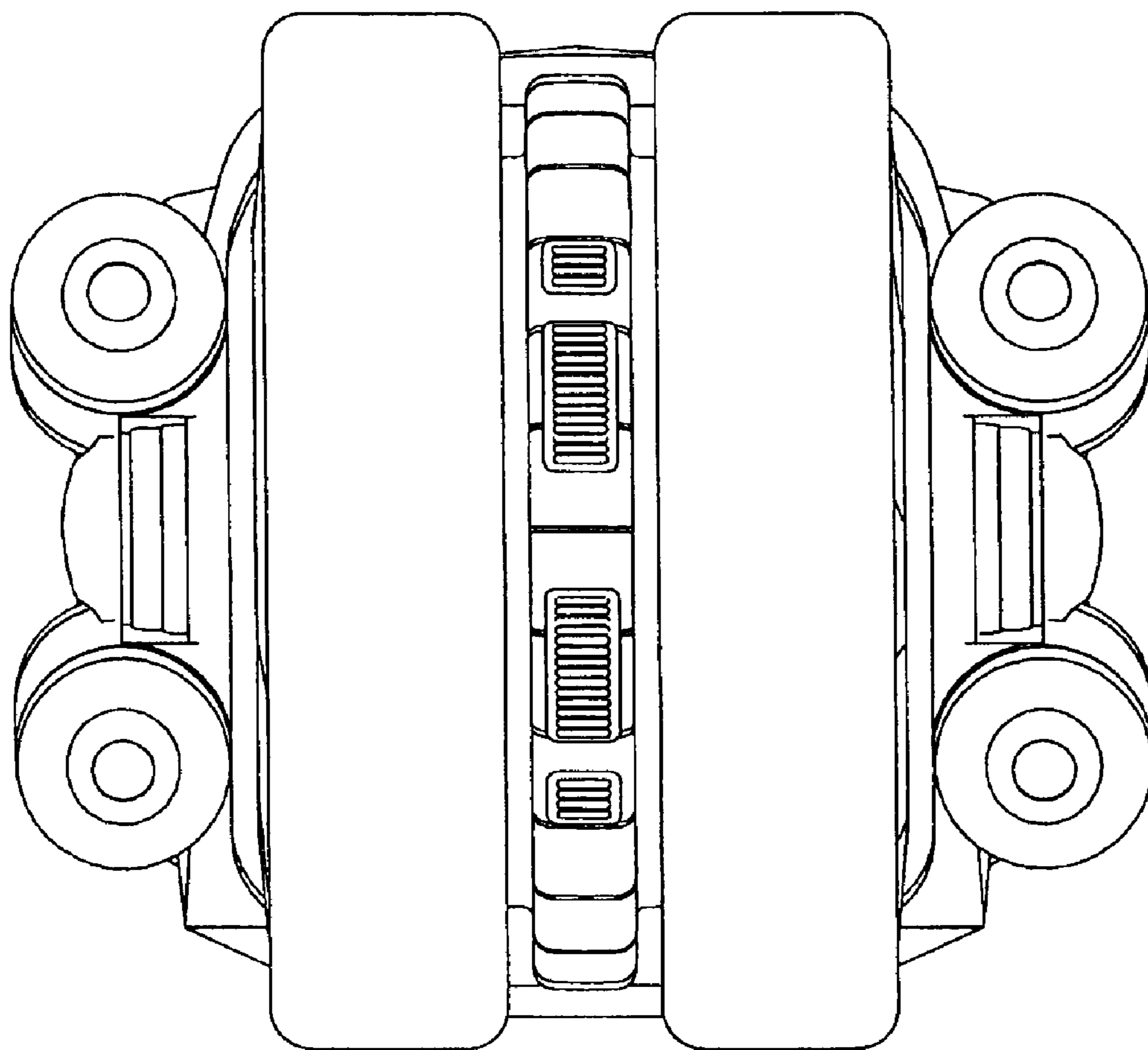


FIG. 4

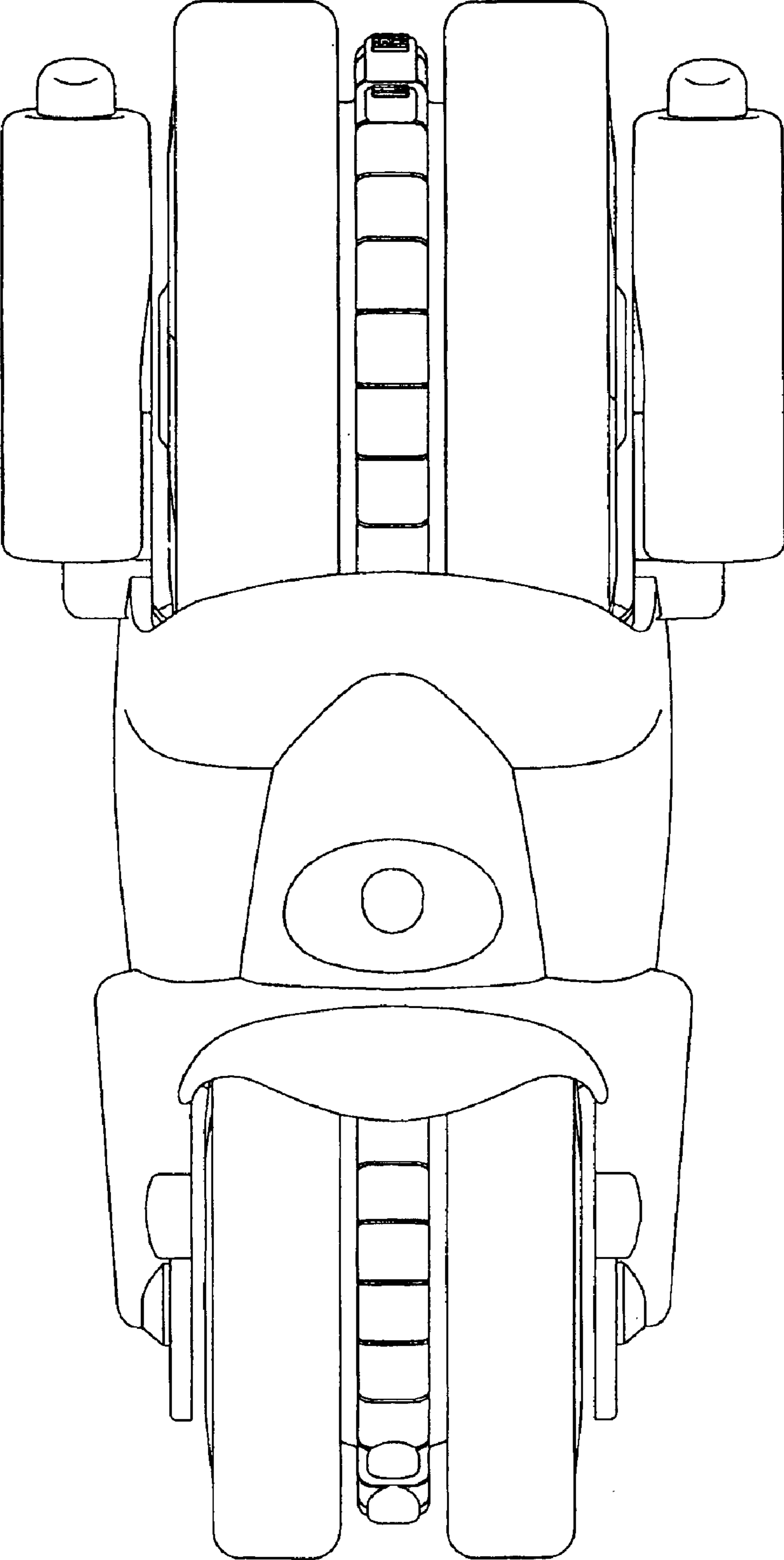


FIG. 5

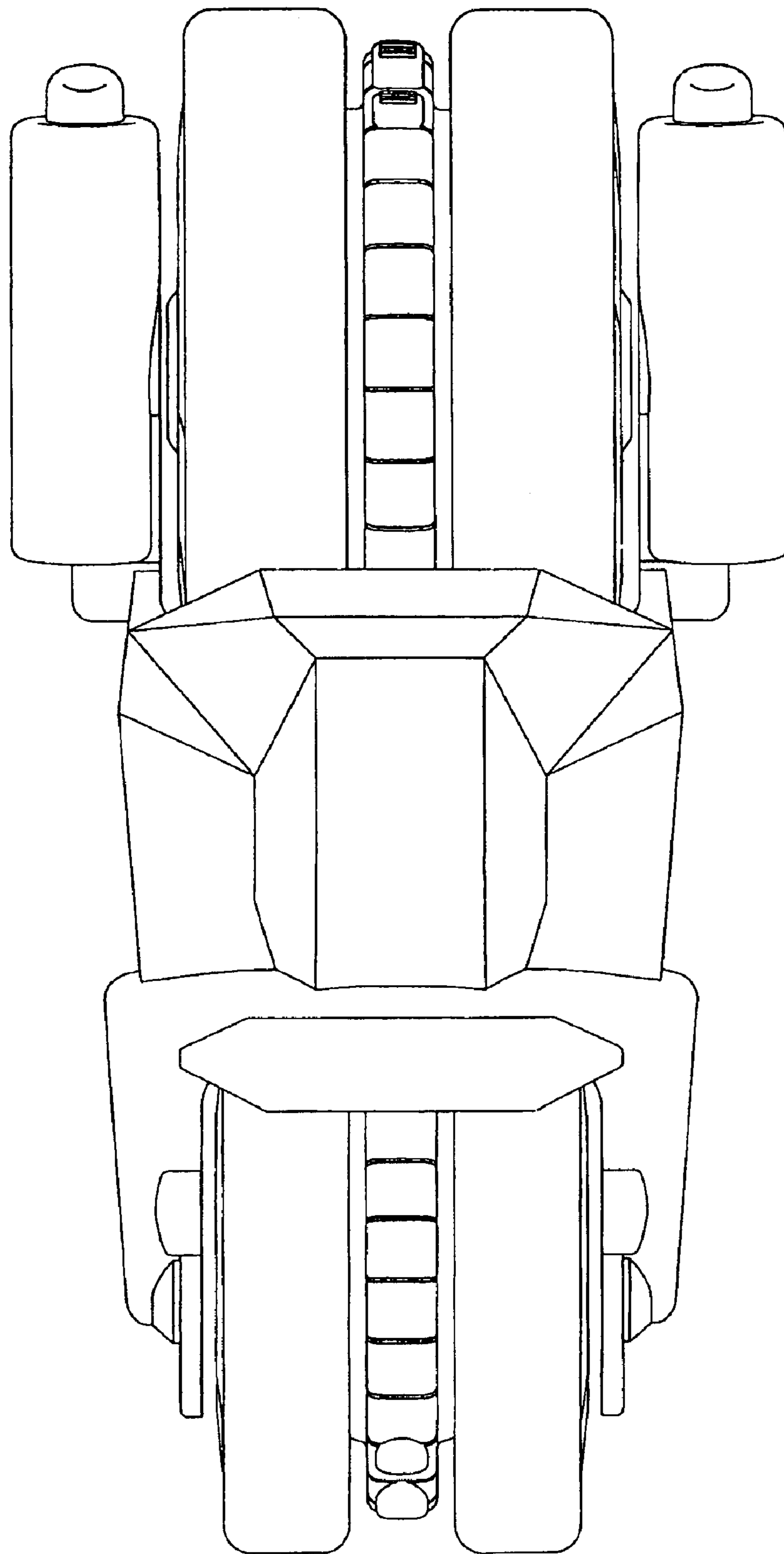


FIG. 6