



US00D540877S

(12) **United States Design Patent**  
**Schwarzli**

(10) **Patent No.:** **US D540,877 S**

(45) **Date of Patent:** **\*\* Apr. 17, 2007**

(54) **COIN MECHANISM**

(75) Inventor: **Josef W. Schwarzli**, Stouffville (CA)

(73) Assignee: **Beaver Machine Corporation**,  
Newmarket, Ontario (CA)

(\*\*) Term: **14 Years**

(21) Appl. No.: **29/244,644**

(22) Filed: **Dec. 13, 2005**

(30) **Foreign Application Priority Data**

Oct. 17, 2005 (CA) ..... 113048

(51) **LOC (8) Cl.** ..... **20-01**

(52) **U.S. Cl.** ..... **D20/9**

(58) **Field of Classification Search** ..... D20/1-9,  
D20/99; 194/205-206, 212, 350, 292, 255,  
194/236, 202; 221/92-96, 75, 125, 155, 195,  
221/199, 131, 203, 304; 222/478, 526; 312/114,  
312/117, 124-125; D99/17-18, 24; D7/338-339,  
D7/347-348, 350, 354, 360, 598; 310/75 R  
See application file for complete search history.

(56) **References Cited**

**U.S. PATENT DOCUMENTS**

D214,948 S \* 8/1969 Koch ..... D20/9  
D282,857 S 3/1986 Schwarzli

5,259,532 A \* 11/1993 Schwarzli ..... 221/304  
5,383,545 A 1/1995 Schwarzli  
5,657,848 A 8/1997 Schwarzli  
D390,273 S \* 2/1998 Humphrey ..... D20/7  
5,868,235 A 2/1999 Schwarzli  
6,076,650 A 6/2000 Schwarzli  
6,135,260 A \* 10/2000 Schwarzli ..... 194/255  
D453,532 S \* 2/2002 Semeniuk ..... D20/7  
D469,127 S \* 1/2003 Schwarzli ..... D20/7  
6,896,150 B2 \* 5/2005 Schwarzli ..... 221/131  
6,960,852 B2 11/2005 Schwarzli  
6,964,328 B2 \* 11/2005 Santilli et al. .... 194/202

\* cited by examiner

*Primary Examiner*—Stacia Cadmus

(74) *Attorney, Agent, or Firm*—Dimock Stratton LLP;  
Mark B. Eisen

(57) **CLAIM**

The ornamental design for a coin mechanism, as shown and described.

**DESCRIPTION**

FIG. 1 is a perspective view of the coin mechanism;  
FIG. 2 is a front elevational view thereof;  
FIG. 3 is a right side elevational view thereof;  
FIG. 4 is a left side elevational view thereof;  
FIG. 5 is a top plan view thereof; and,  
FIG. 6 is a bottom plan view thereof.

**1 Claim, 2 Drawing Sheets**

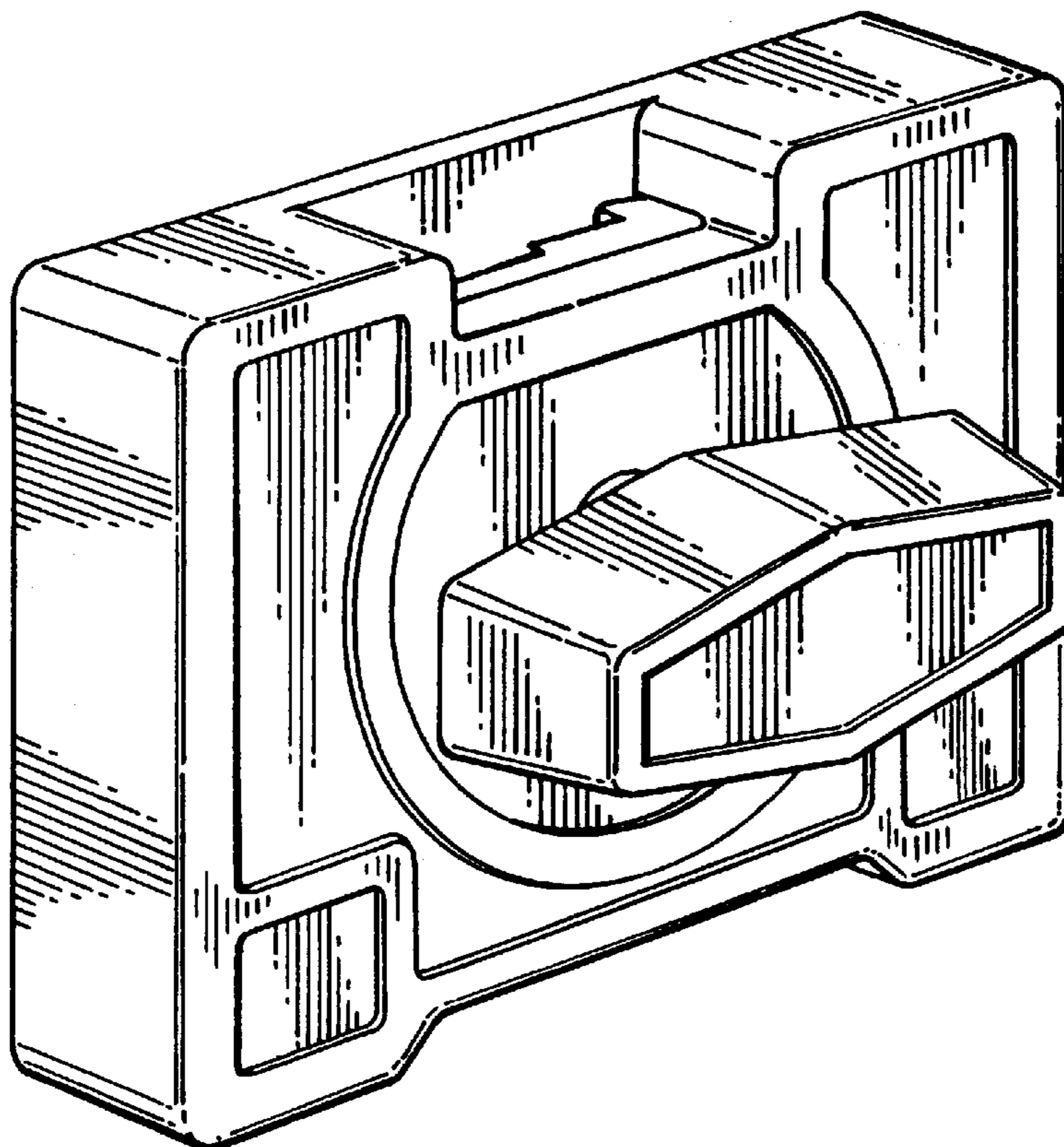


FIG. 1.

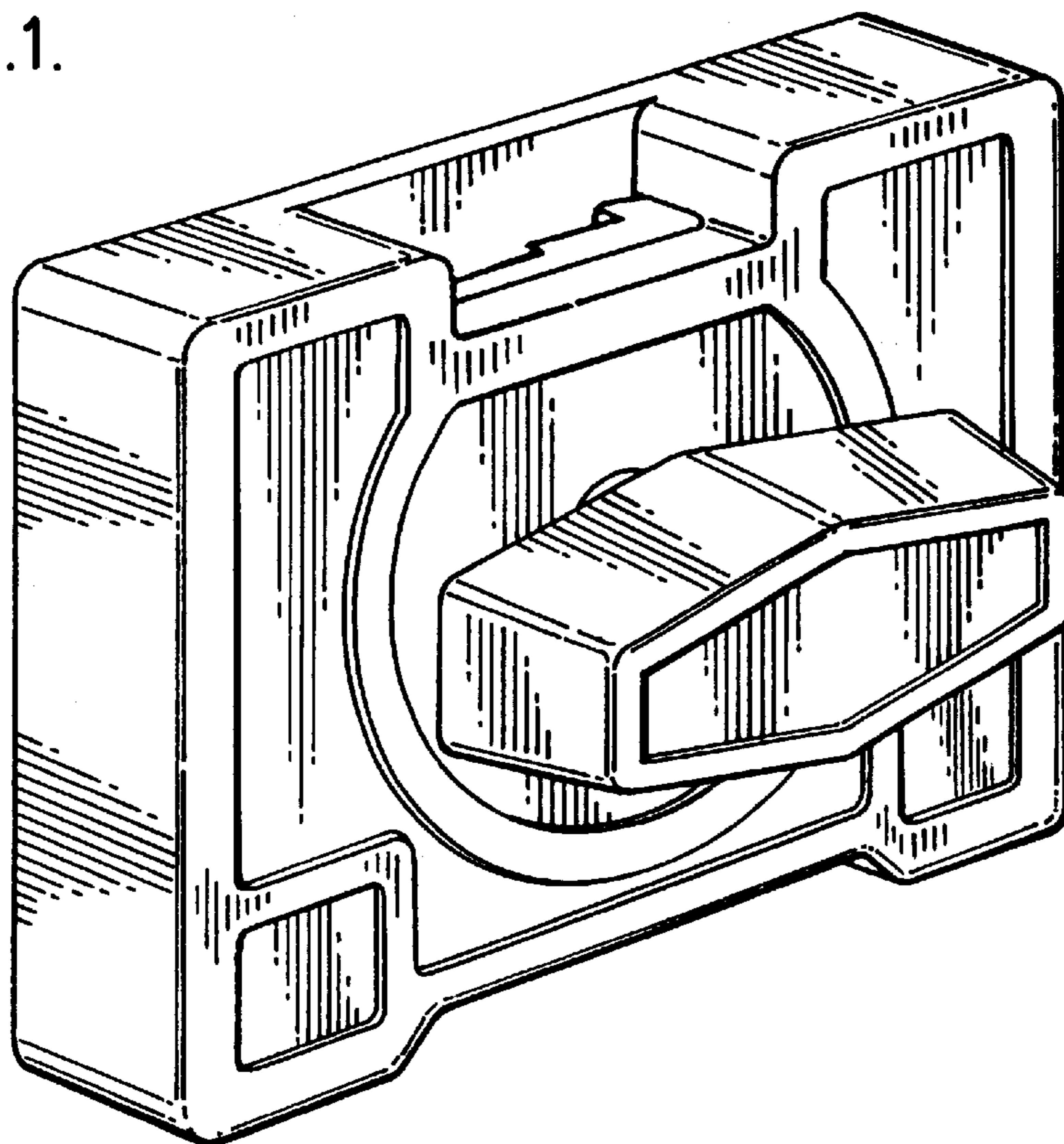


FIG. 2.

