



US00D540875S

(12) **United States Design Patent**
Placencia

(10) **Patent No.:** **US D540,875 S**

(45) **Date of Patent:** **** Apr. 17, 2007**

(54) **GUMBALL MACHINE SIMULATING A SLOT MACHINE**

(76) Inventor: **Rosalio Placencia**, 128 N. J St.,
Lompoc, CA (US) 93436

(**) Term: **14 Years**

(21) Appl. No.: **29/255,295**

(22) Filed: **Mar. 7, 2006**

(51) **LOC (8) Cl.** **20-01**

(52) **U.S. Cl.** **D20/7**

(58) **Field of Classification Search** D20/1-9,
D20/99; 194/209, 239, 320, 342, 350; 221/92,
221/15, 128, 155, 191, 194, 284; D21/370,
D21/385; 368/10

See application file for complete search history.

(56) **References Cited**

U.S. PATENT DOCUMENTS

D261,656 S	*	11/1981	Svensson et al.	D7/589
4,518,098 A		5/1985	Fleischer		
D331,603 S	*	12/1992	Peterson	D20/7
D357,503 S	*	4/1995	Perry et al.	D20/1
5,402,872 A		4/1995	Clurman		
D364,031 S		11/1995	Ryder et al.		
D407,442 S		3/1999	Thai		
6,009,048 A		12/1999	Raesz		
D419,201 S	*	1/2000	de Haas	D21/370

D420,706 S	*	2/2000	Weatherby et al.	D20/7
D431,607 S	*	10/2000	Seelig et al.	D21/385
D470,758 S		2/2003	Bakersmith		
D484,548 S		12/2003	Franco Muñoz et al.		
D492,365 S		6/2004	Muñoz et al.		
D499,145 S	*	11/2004	Yao	D20/7
D514,169 S	*	1/2006	Seelig et al.	D21/370
D515,137 S	*	2/2006	Okupe	D20/7

* cited by examiner

Primary Examiner—Stacia Cadmus

(74) *Attorney, Agent, or Firm*—Robert C. Montgomery

(57) **CLAIM**

The ornamental design for a gumball machine simulating a slot machine, as shown and described.

DESCRIPTION

FIG. 1 is a perspective view of a gumball machine simulating a slot machine;

FIG. 2 is a front elevation view thereof;

FIG. 3 is a rear elevation view thereof;

FIG. 4 is a left side elevation view thereof;

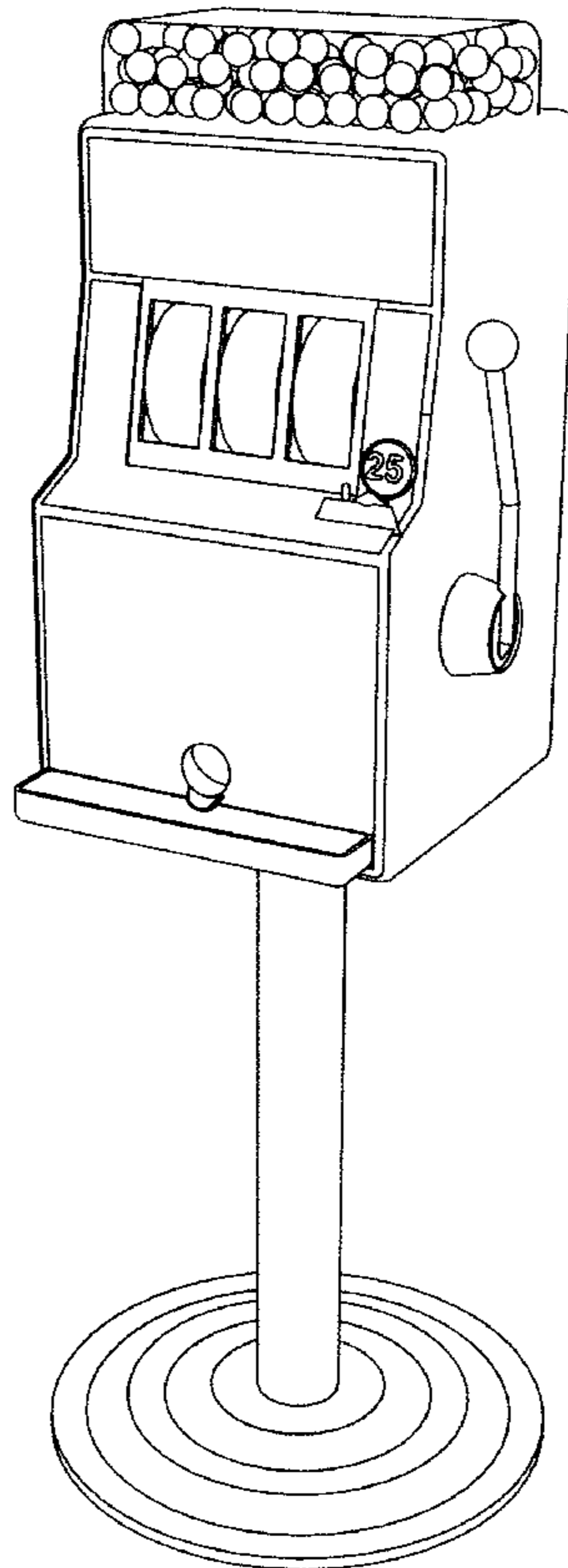
FIG. 5 is a right side elevation view thereof;

FIG. 6 is a top view thereof; and,

FIG. 7 is a bottom view thereof.

The gumball machine simulating a slot machine is shown on an enlarged scale in FIGS. 6-7.

1 Claim, 4 Drawing Sheets



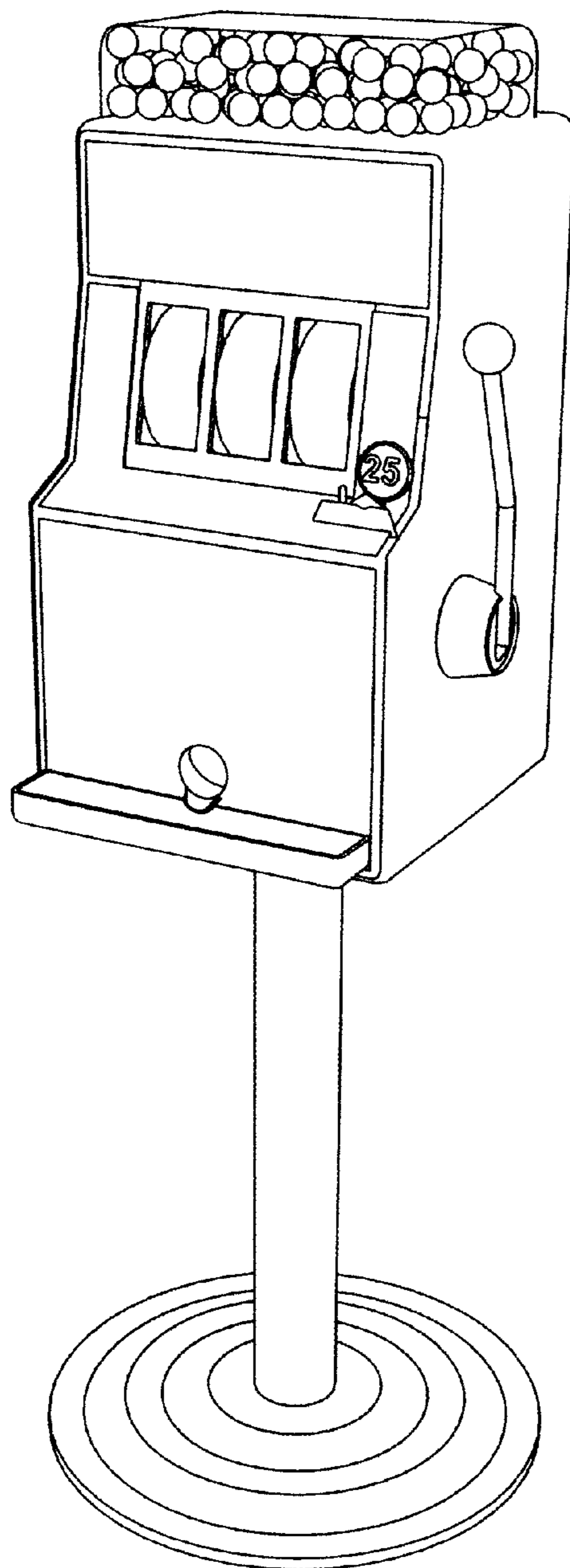


FIG. 1

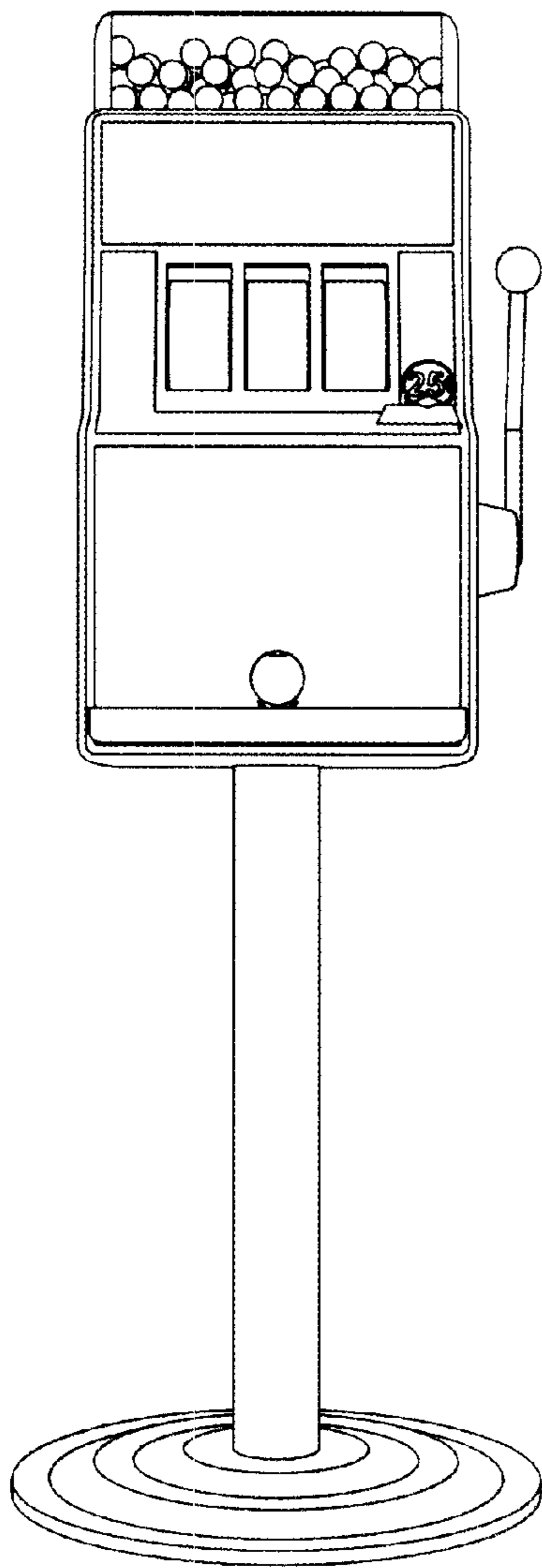


FIG. 2

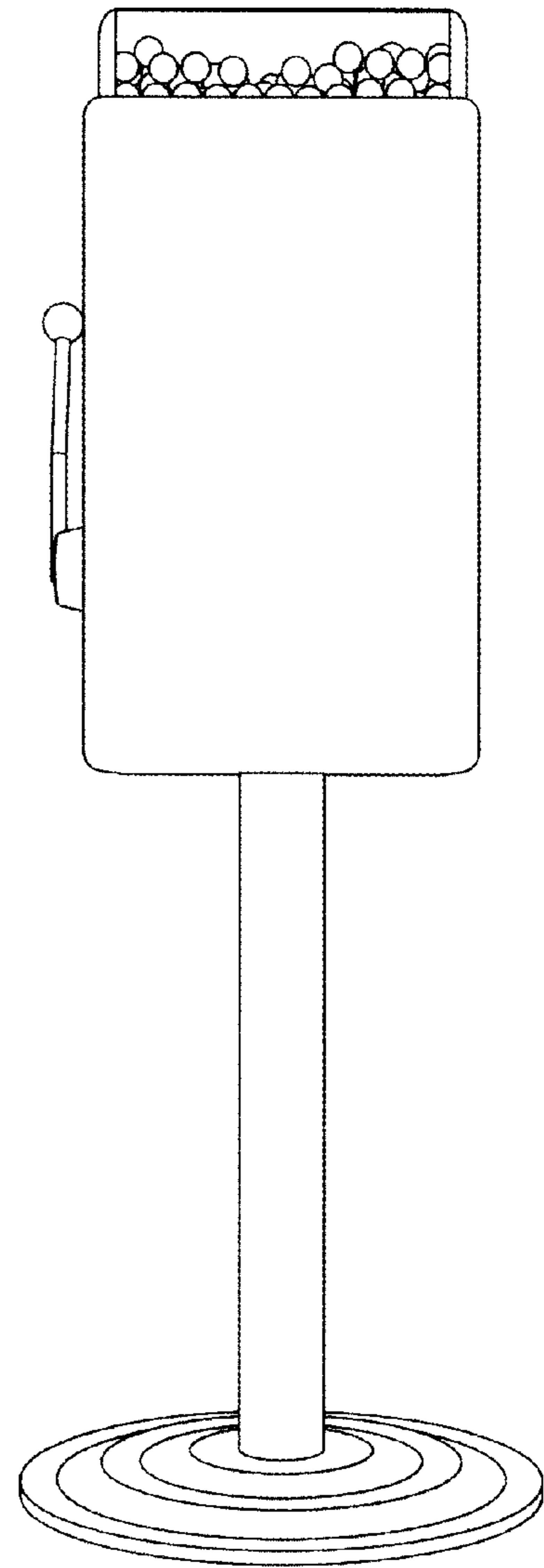


FIG. 3

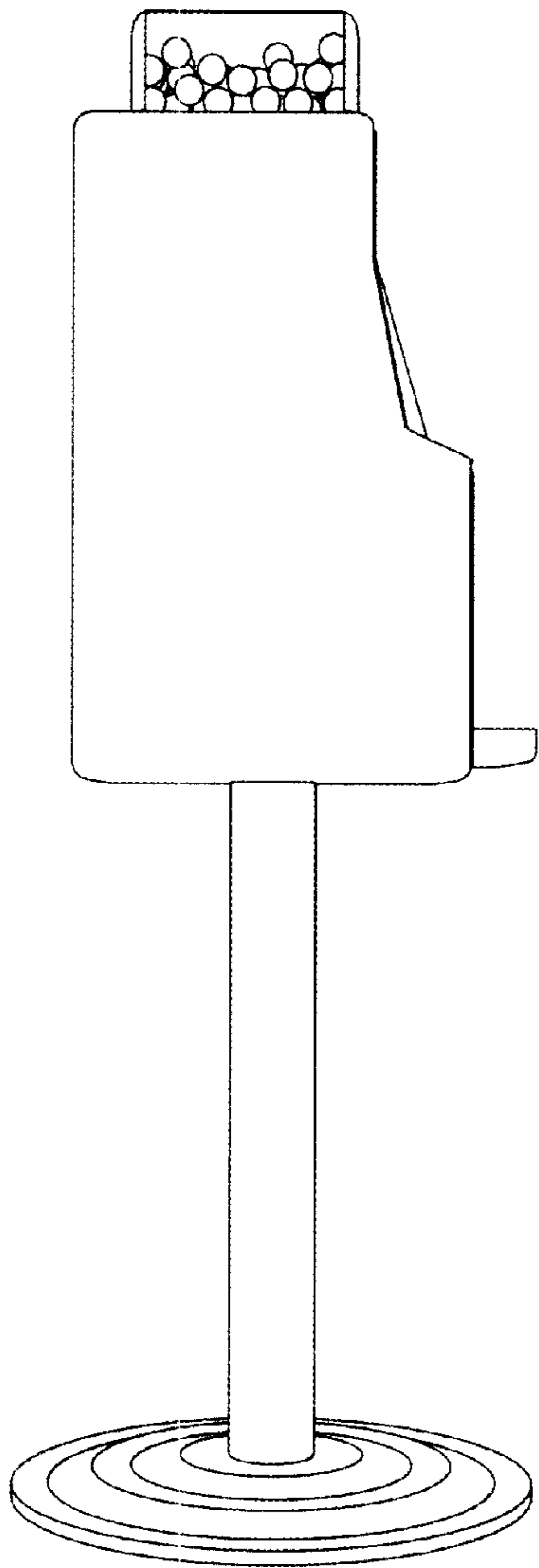


FIG. 4

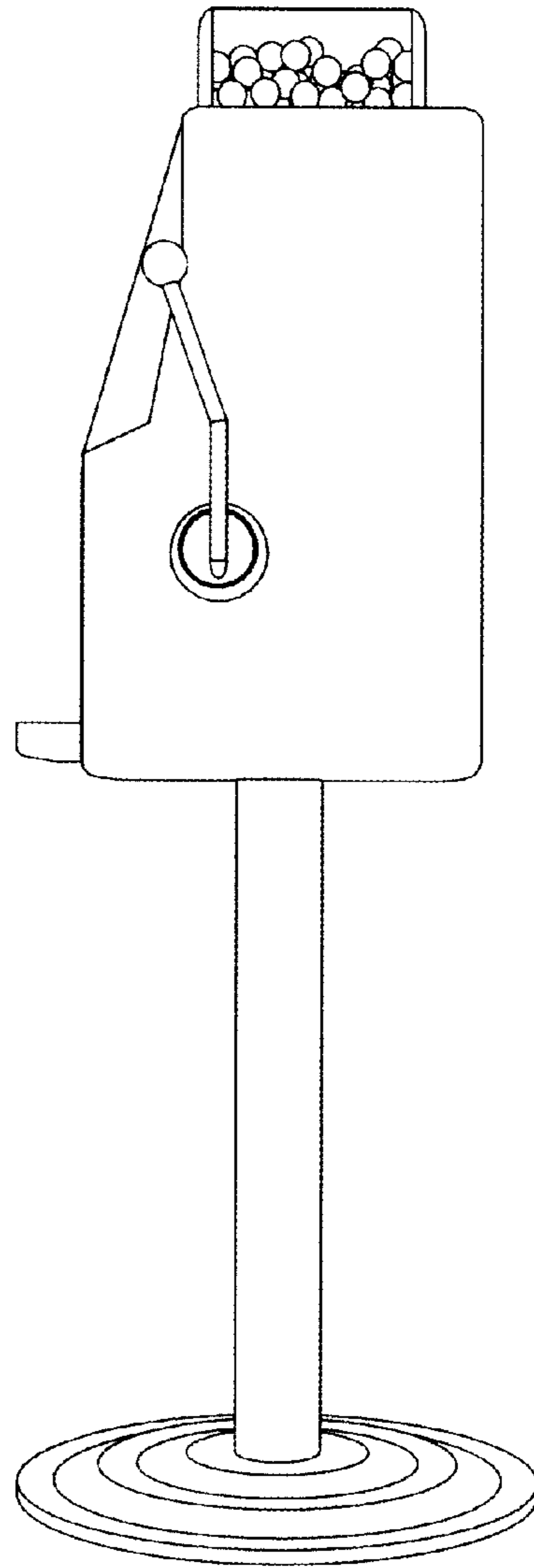


FIG. 5

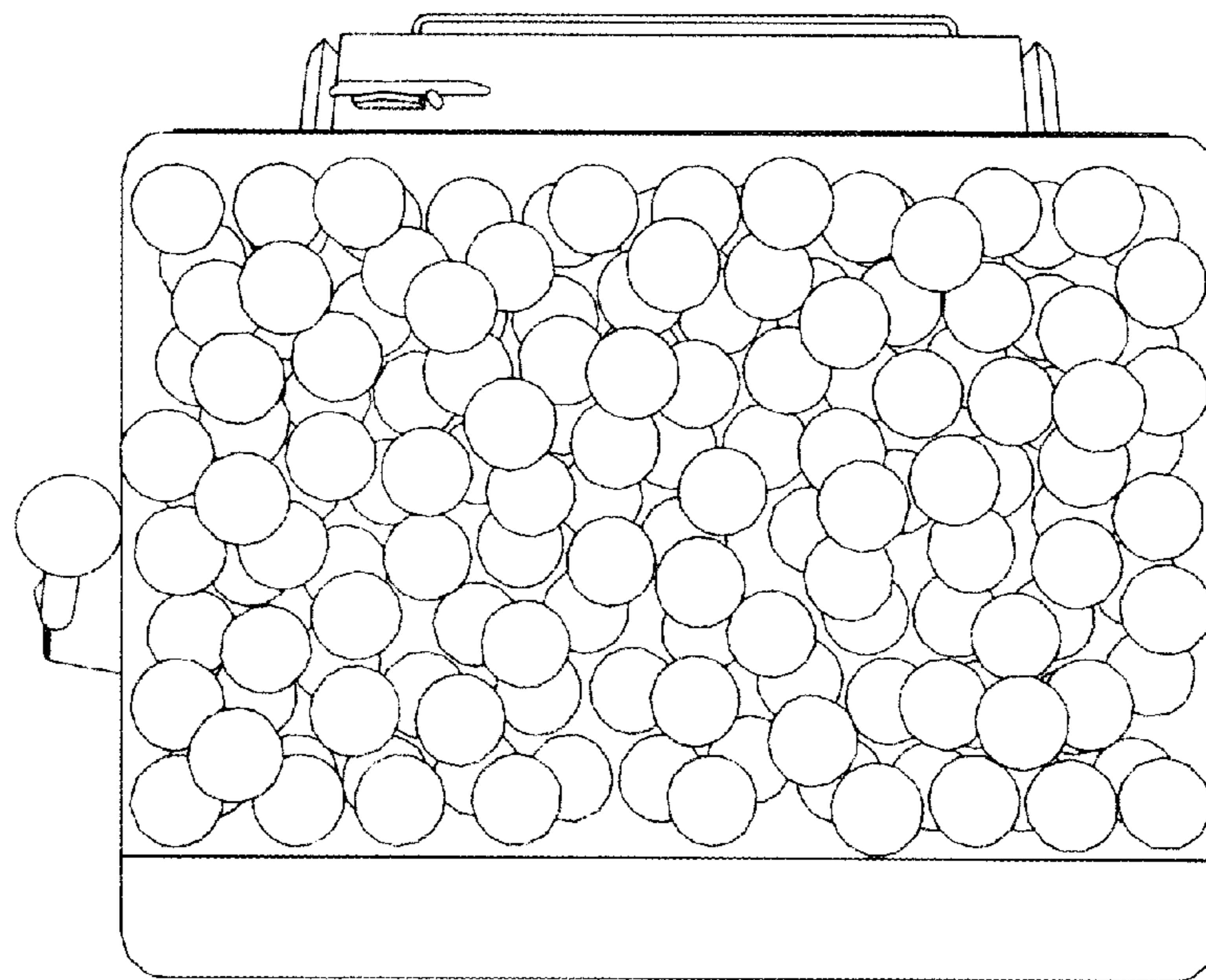


FIG. 6

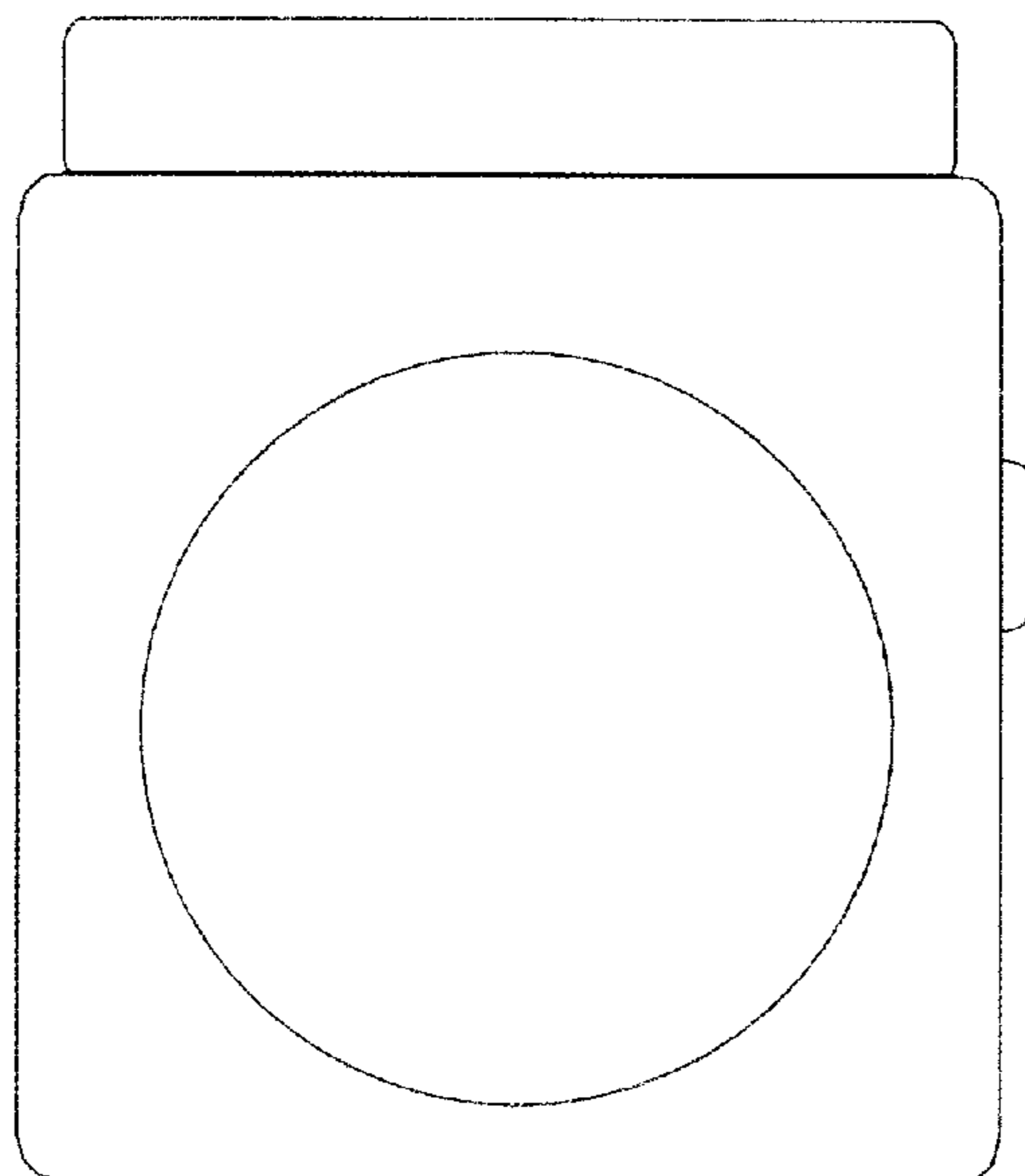


FIG. 7