



US00D540874S

(12) **United States Design Patent**
Han

(10) **Patent No.:** **US D540,874 S**

(45) **Date of Patent:** **** Apr. 17, 2007**

(54) **PENCIL SHARPENER**

(76) **Inventor:** **Yong Kyu Han**, 101-302 Hyundai 1st Apt., 1344 Bangbae-dong, Seocho-gu, Seoul 137-060 (KR)

(**) **Term:** **14 Years**

(21) **Appl. No.:** **29/242,077**

(22) **Filed:** **Nov. 4, 2005**

(30) **Foreign Application Priority Data**

May 20, 2005 (KR) 30-2005-0016936

(51) **LOC (8) Cl.** **19-06**

(52) **U.S. Cl.** **D19/74**

(58) **Field of Classification Search** D3/234, D3/238; D8/91, 98; D19/72-74, 80, 99; 30/451-462; 144/28.1, 28.11, 28.2-28.7, 28.72, 28.8, 28.9; D21/424, 425, 534, 548, 560; 280/827, 87.01
See application file for complete search history.

(56) **References Cited**

U.S. PATENT DOCUMENTS

- 1,354,400 A * 9/1920 Humphreville 280/7.1
- D91,676 S * 3/1934 Loewy D19/74
- D192,224 S * 2/1962 Haubert D21/827
- 3,367,668 A * 2/1968 Jenkins 280/827

- D240,299 S * 6/1976 Hoffman D19/74
- D417,238 S * 11/1999 Huang D19/74
- D418,547 S * 1/2000 Baggett D21/425

* cited by examiner

Primary Examiner—Elizabeth A. Albert

(74) *Attorney, Agent, or Firm*—Porter, Wright, Morris & Arthur, LLP

(57) **CLAIM**

The ornamental design for a pencil sharpener, as shown and described.

DESCRIPTION

FIG. 1 is a perspective view of a pencil sharpener showing my new design;
 FIG. 2 is a front elevational view of the pencil sharpener of FIG. 1;
 FIG. 3 is a rear elevational view of the pencil sharpener of FIGS. 1 and 2;
 FIG. 4 is a left side elevational view of the pencil sharpener of FIGS. 1 to 3, the right side elevational view being a mirror image thereof;
 FIG. 5 is a top plan view of the pencil sharpener of FIGS. 1 to 4; and,
 FIG. 6 is a bottom plan view of the pencil sharpener of FIGS. 1-5.

1 Claim, 4 Drawing Sheets

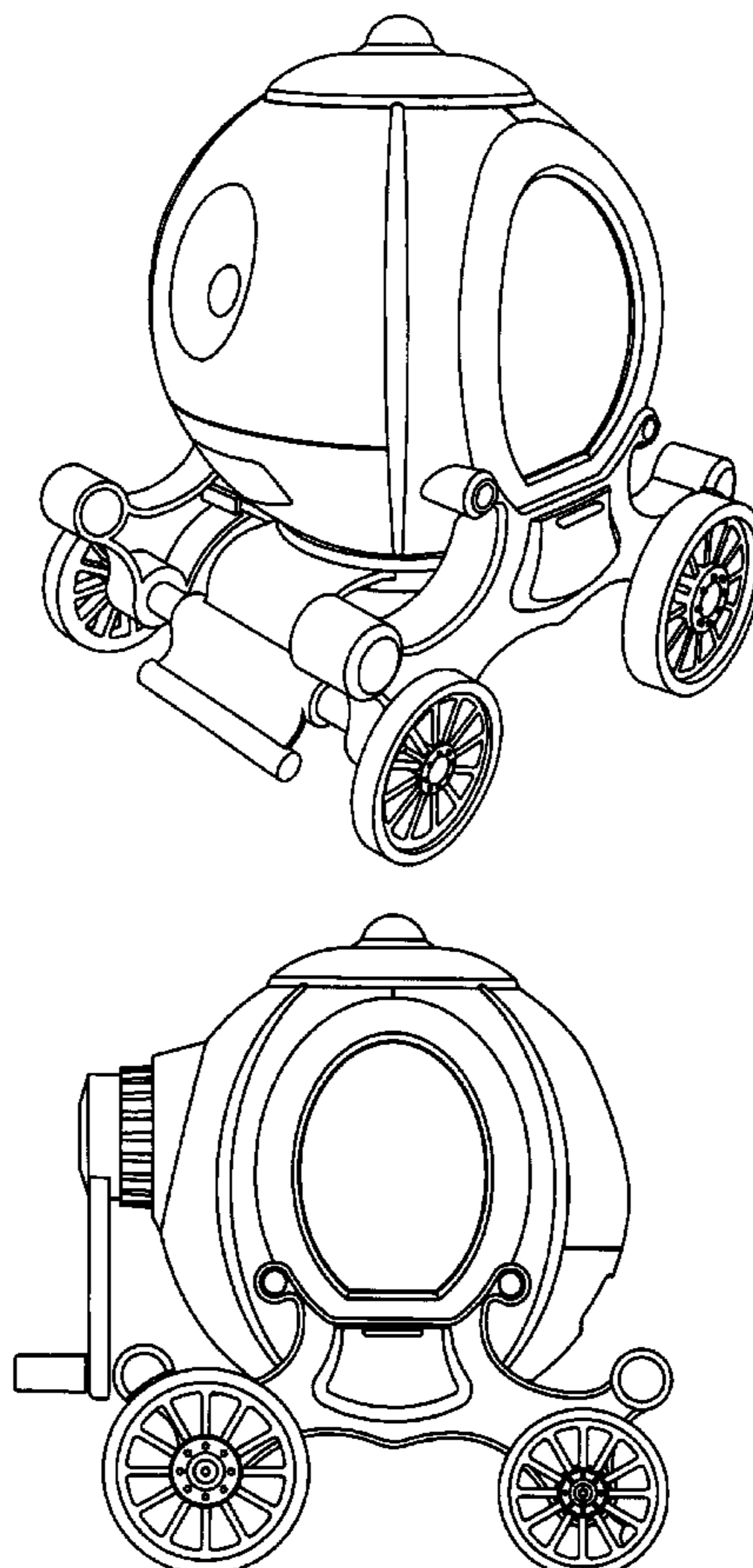


Fig. 1

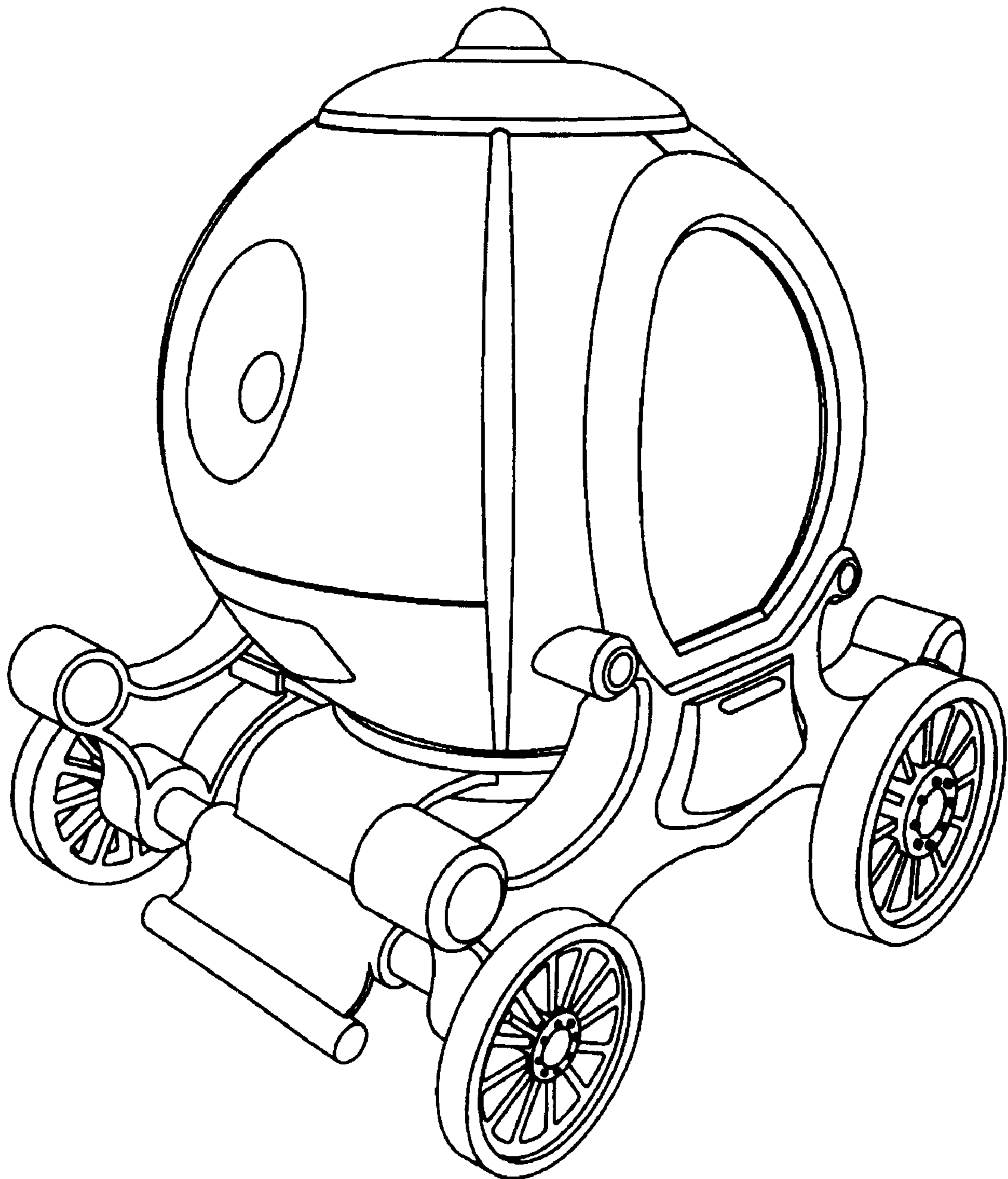


Fig. 2

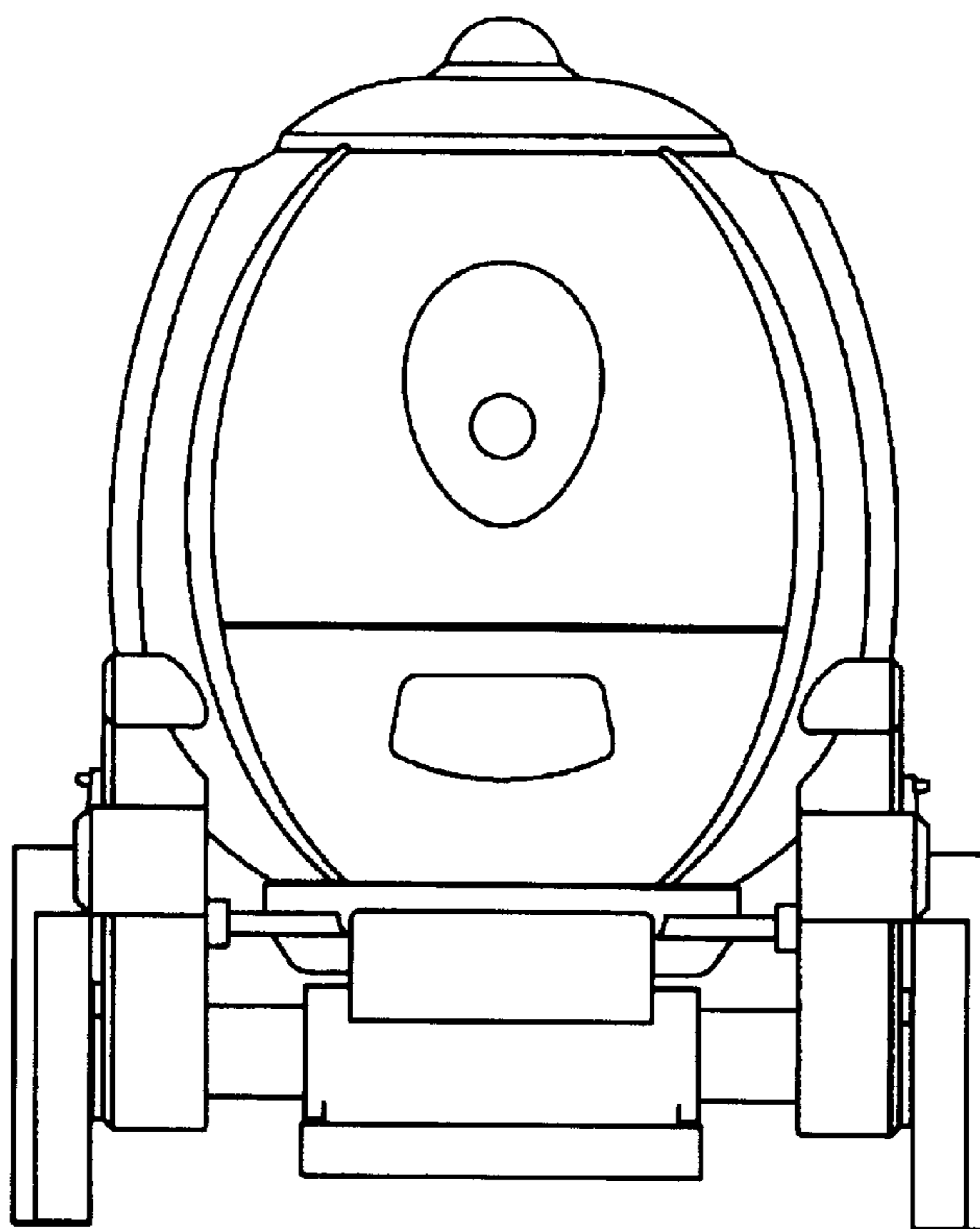


FIG. 3

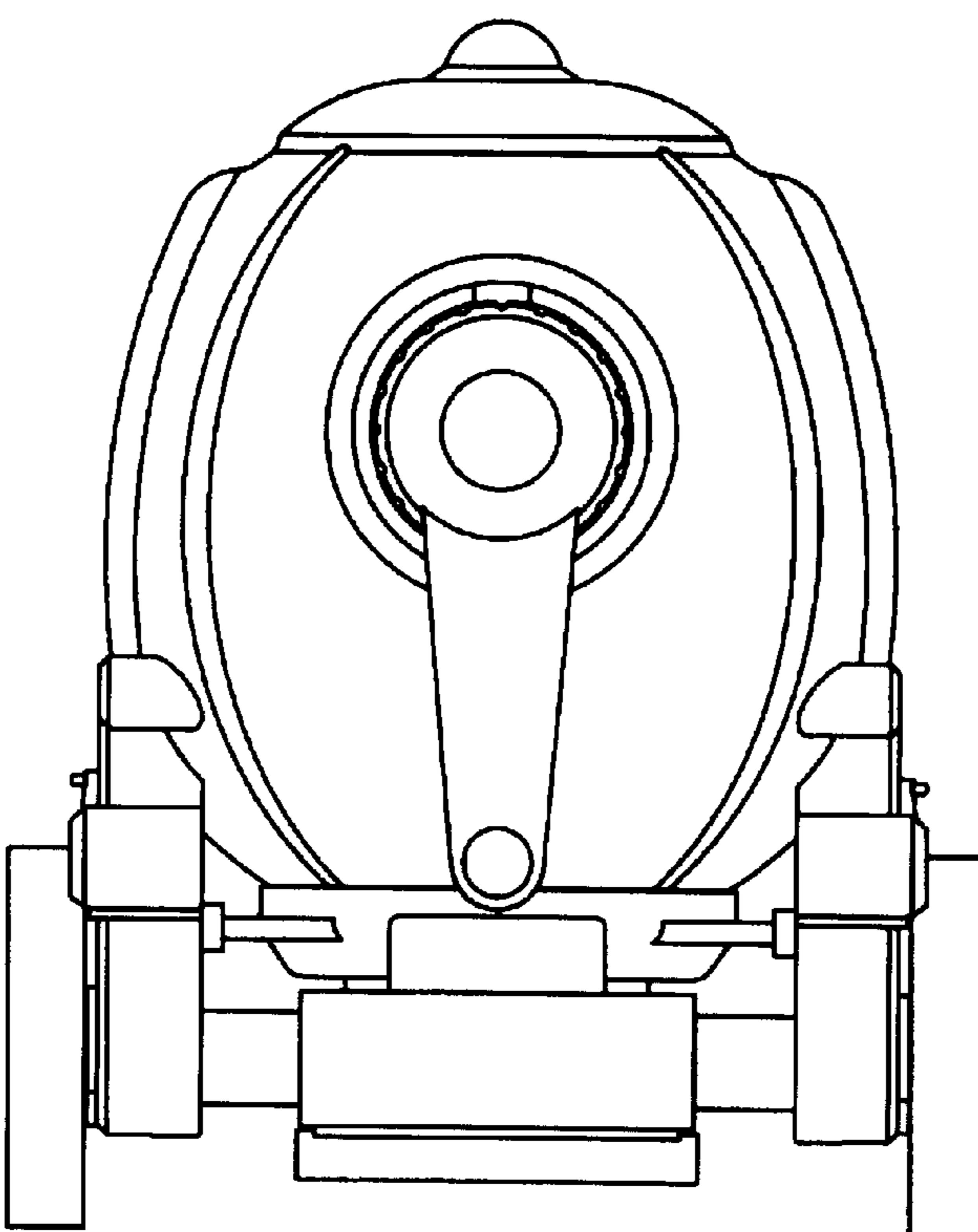


Fig. 4

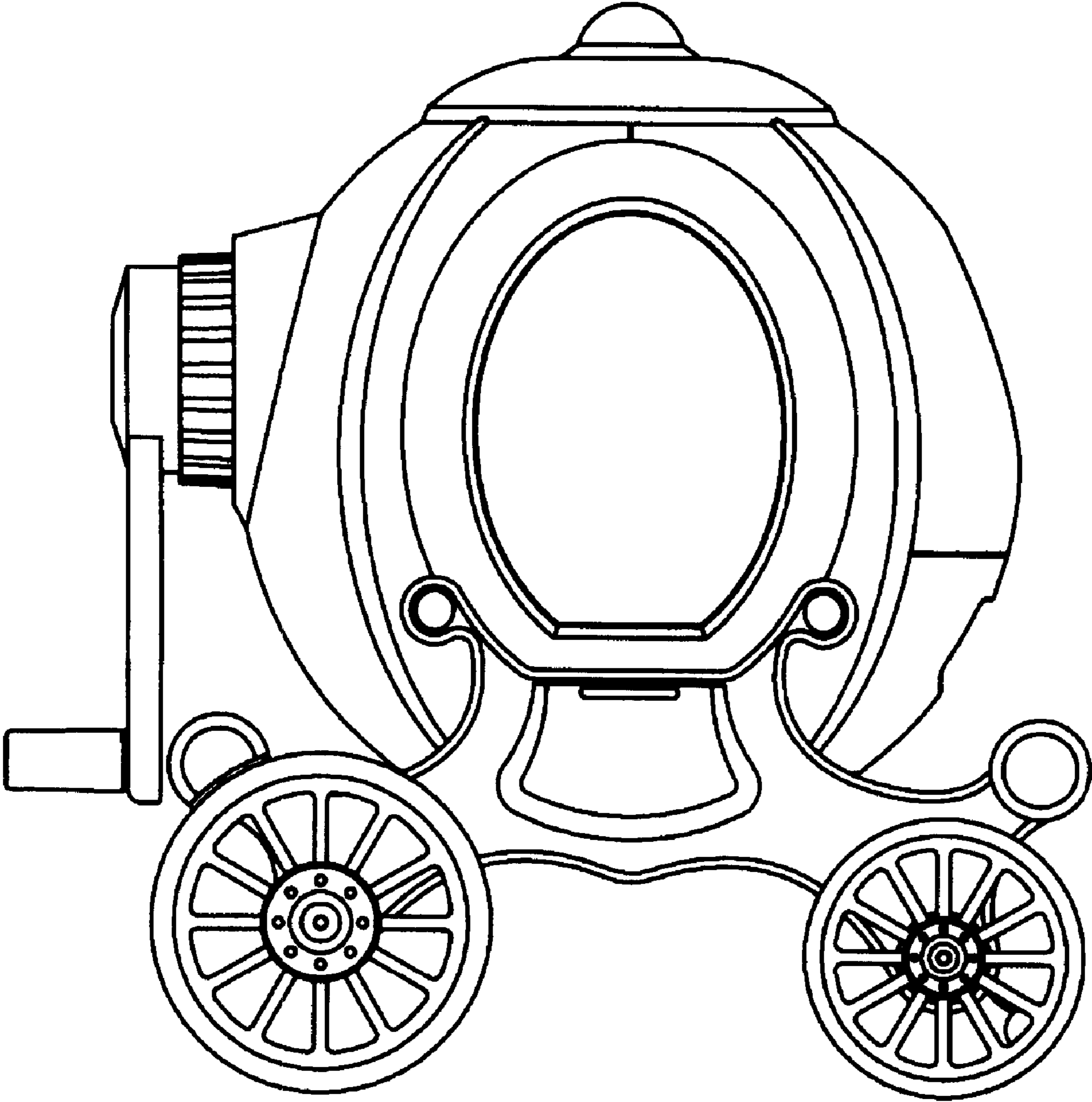


Fig. 5

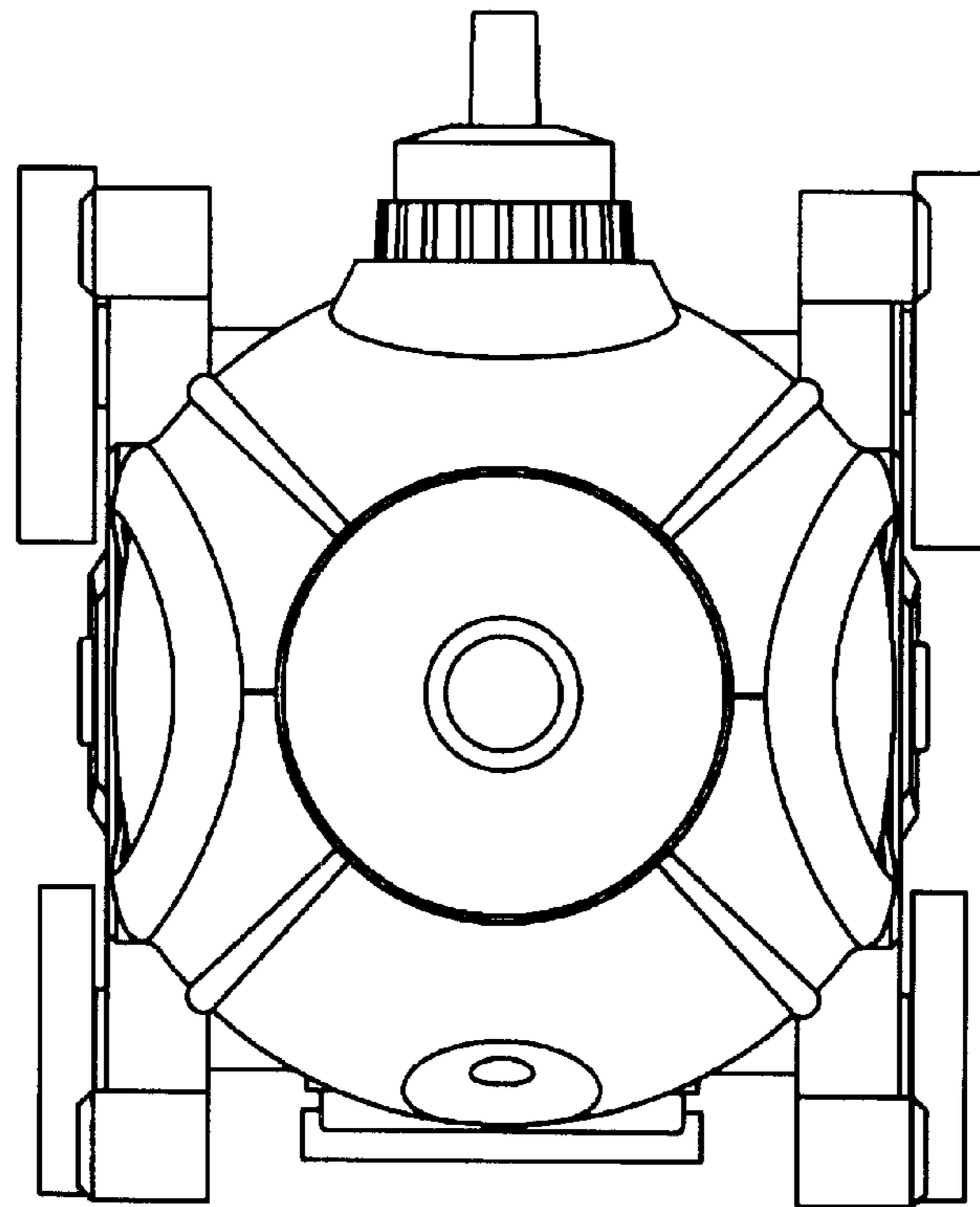


Fig. 6

