



US00D540873S

(12) **United States Design Patent**
Han

(10) **Patent No.:** **US D540,873 S**

(45) **Date of Patent:** **** Apr. 17, 2007**

(54) **PENCIL SHARPENER**

(76) Inventor: **Yong Kyu Han**, 101-302 Hyundai 1st Apt., 1344 Bangbae-dong, Seocho-gu, Seoul 137-060 (KR)

(**) Term: **14 Years**

(21) Appl. No.: **29/231,765**

(22) Filed: **Jun. 9, 2005**

(30) **Foreign Application Priority Data**

Dec. 15, 2004 (KR) 30-2004-0038516

(51) **LOC (8) Cl.** **19-06**

(52) **U.S. Cl.** **D19/74**

(58) **Field of Classification Search** D3/235, D3/238; D8/91, 98; D19/72-74, 80, 99; D21/615, D21/622; 30/451-462; 144/28.1, 28.11, 28.2-28.7, 144/28.72, 28.8, 28.9

See application file for complete search history.

(56) **References Cited**

U.S. PATENT DOCUMENTS

- D169,980 S * 7/1953 Knapp D19/73
- 3,980,113 A * 9/1976 Birdsall 144/28.6
- D339,536 S * 9/1993 Ribron D10/72
- D358,476 S * 5/1995 Winkos D3/238
- D373,799 S * 9/1996 Doi et al. D21/615

- D394,693 S * 5/1998 Koutsouflakis D21/832
- D412,344 S * 7/1999 Clark D19/73
- D461,857 S * 8/2002 Hornsby et al. D21/615
- D494,624 S * 8/2004 Danon D19/73

* cited by examiner

Primary Examiner—Elizabeth A. Albert

(74) *Attorney, Agent, or Firm*—Porter, Wright, Morris & Arthur, LLP

(57) **CLAIM**

The ornamental design for a pencil sharpener, as shown and described.

DESCRIPTION

FIG. 1 is a perspective view of a pencil sharpener showing my new design;

FIG. 2 is a front elevational view of the pencil sharpener of FIG. 1, the rear elevational view being a mirror image thereof;

FIG. 3 is a left side elevational view of the pencil sharpener of FIGS. 1 and 2;

FIG. 4 is a right side elevational view of the pencil sharpener of FIGS. 1 to 5;

FIG. 5 is a top plan view of the pencil sharpener of FIGS. 1 to 4; and,

FIG. 6 is a bottom plan view of the pencil sharpener of FIGS. 1-5.

1 Claim, 4 Drawing Sheets

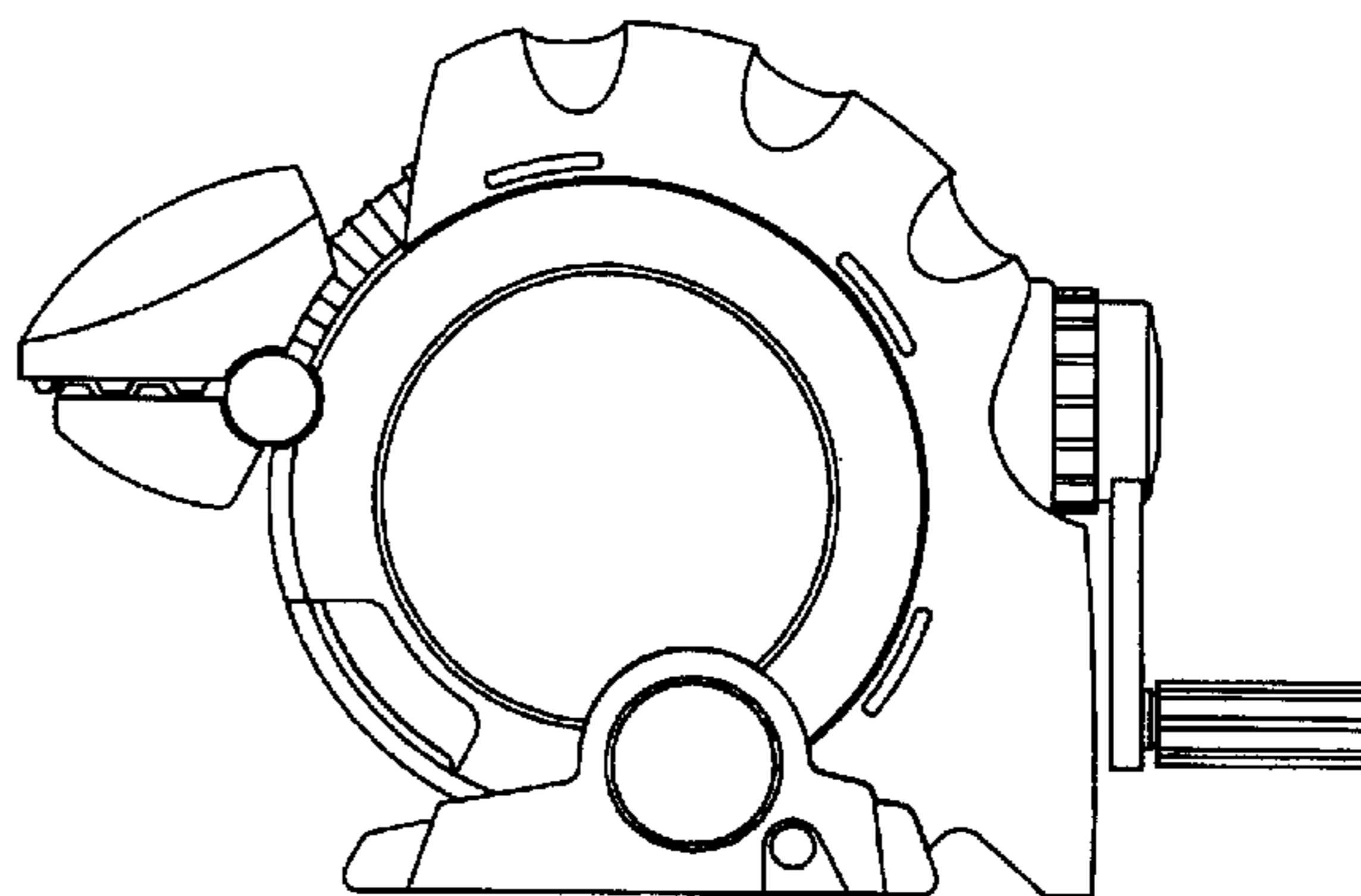
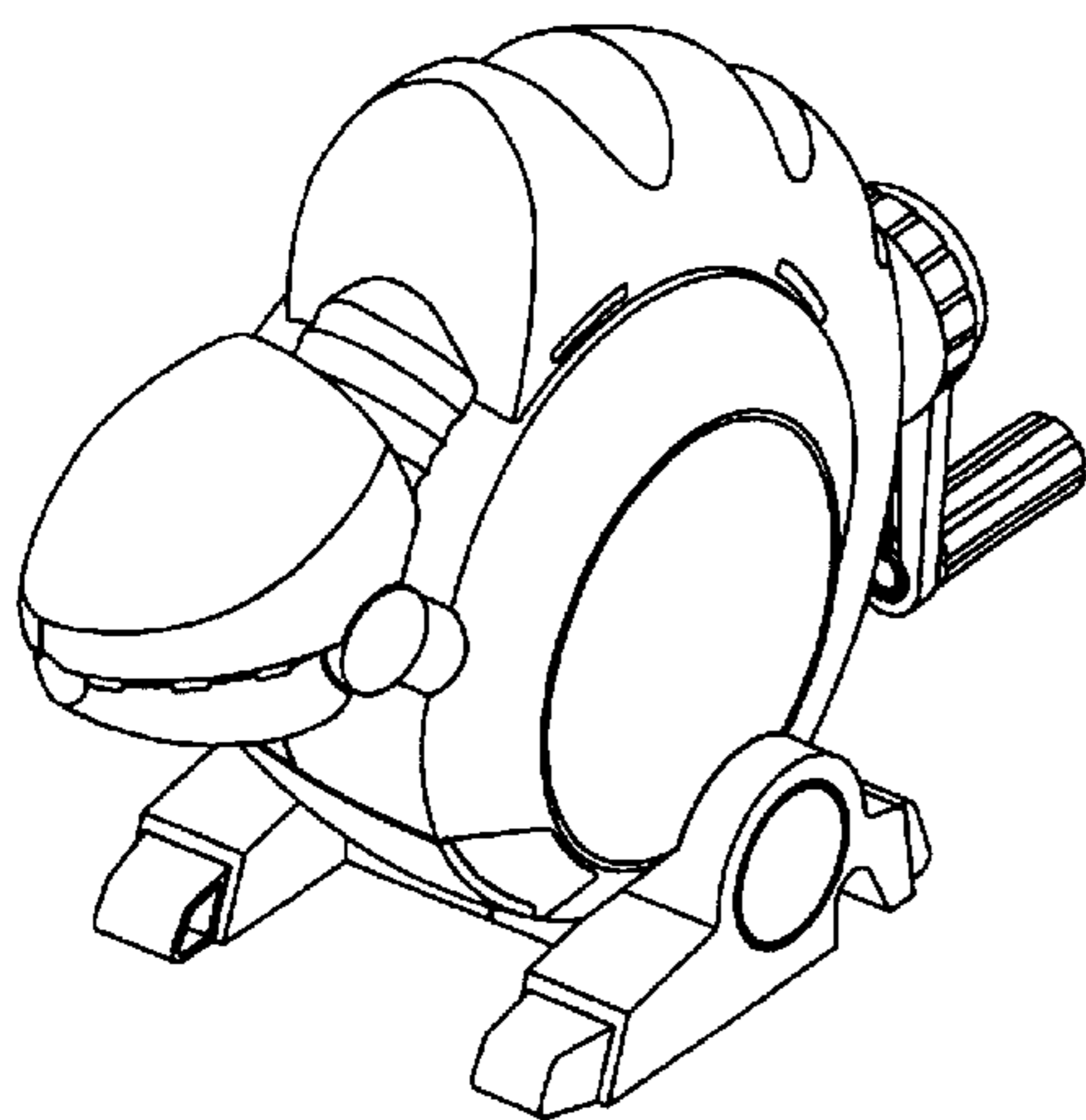


Fig. 1

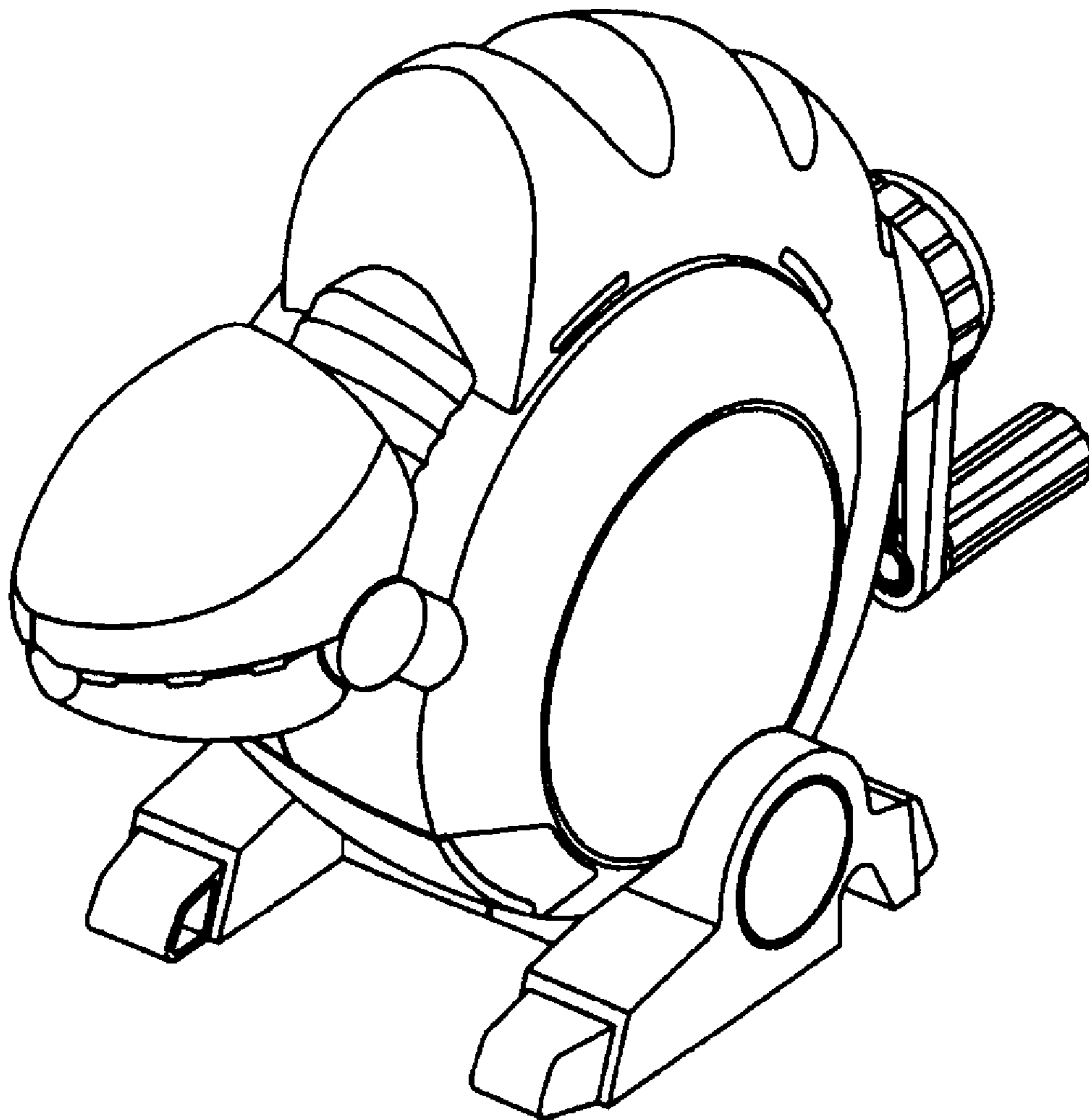


Fig. 2

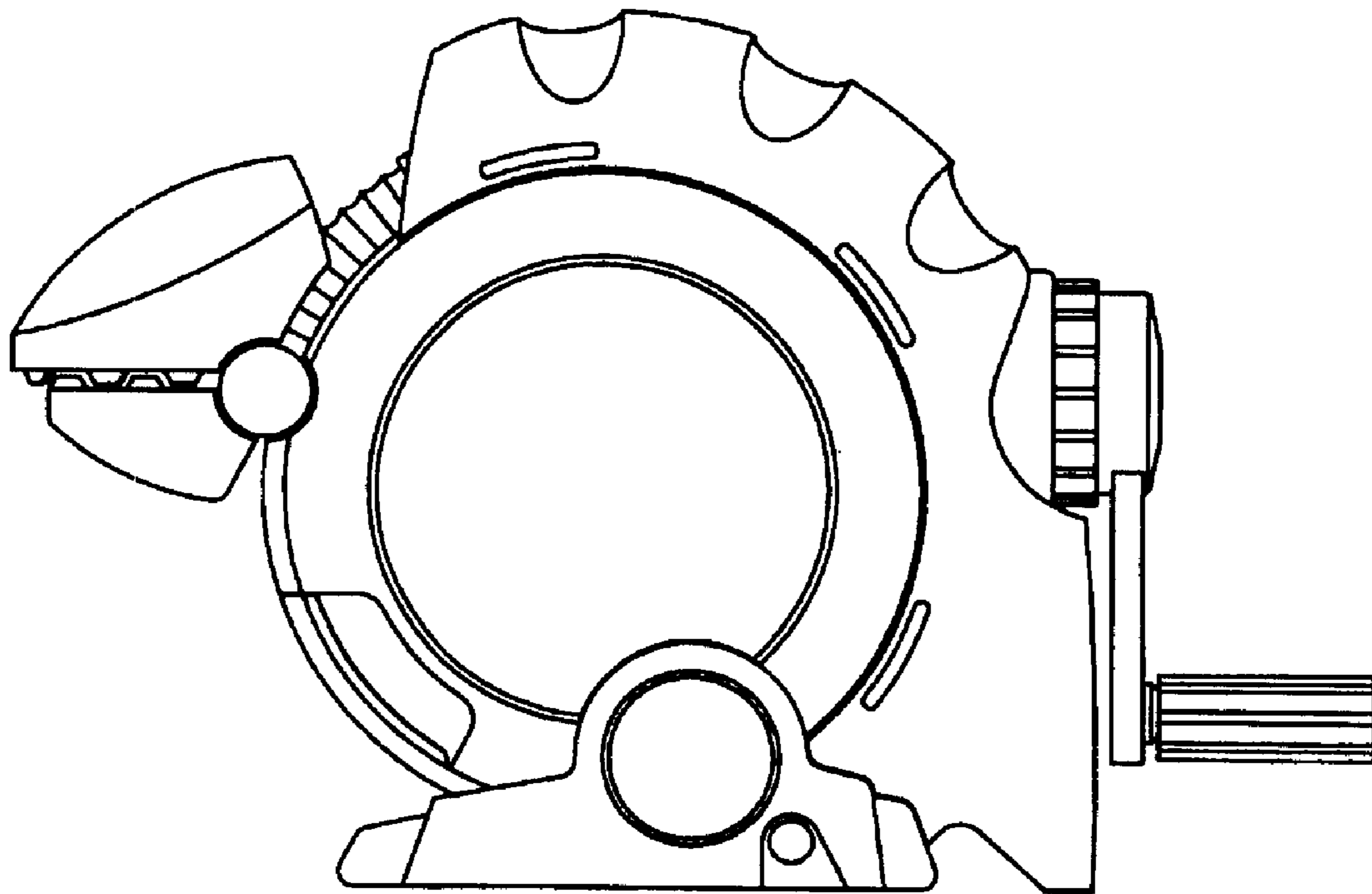


Fig. 3

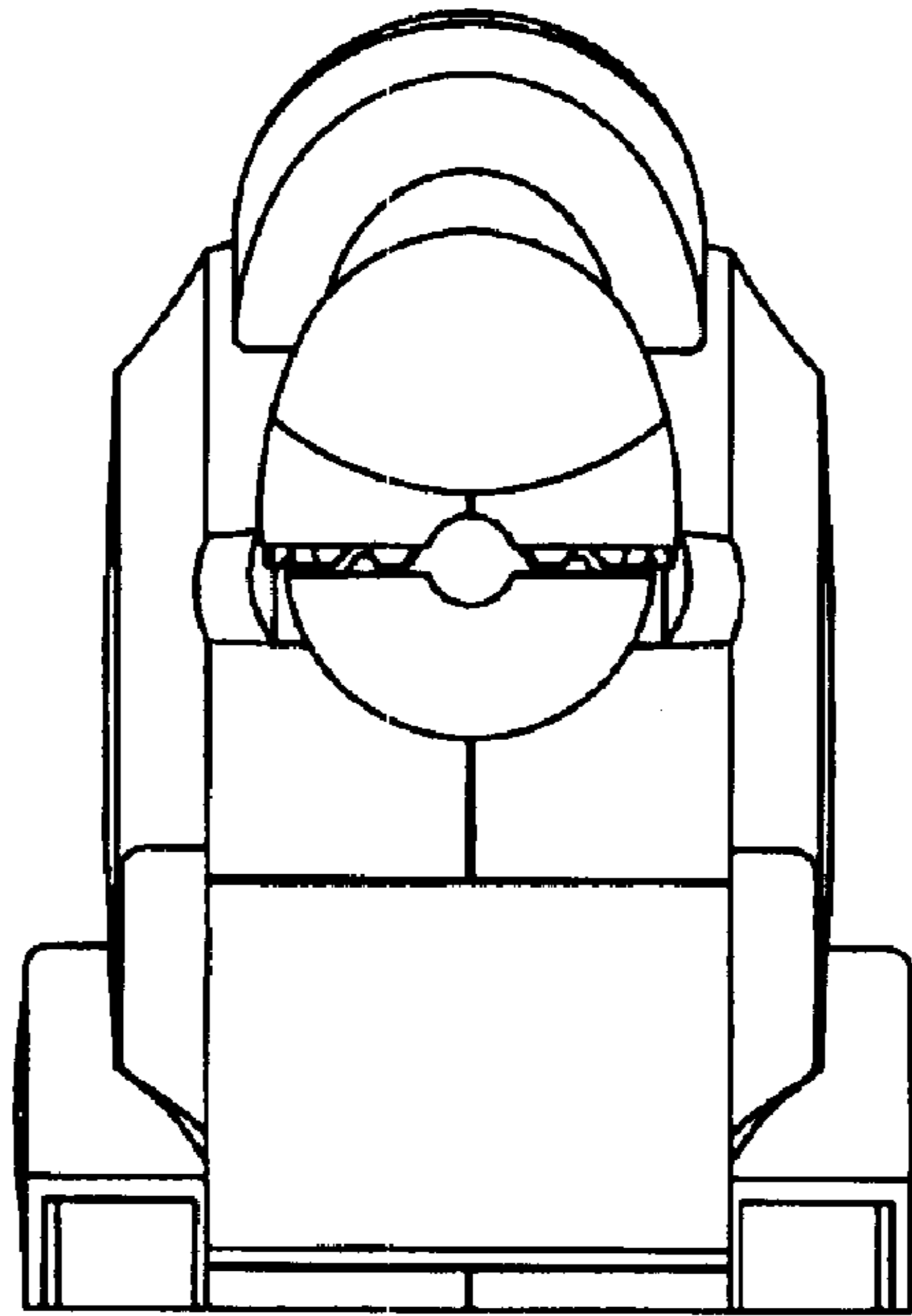


Fig. 4

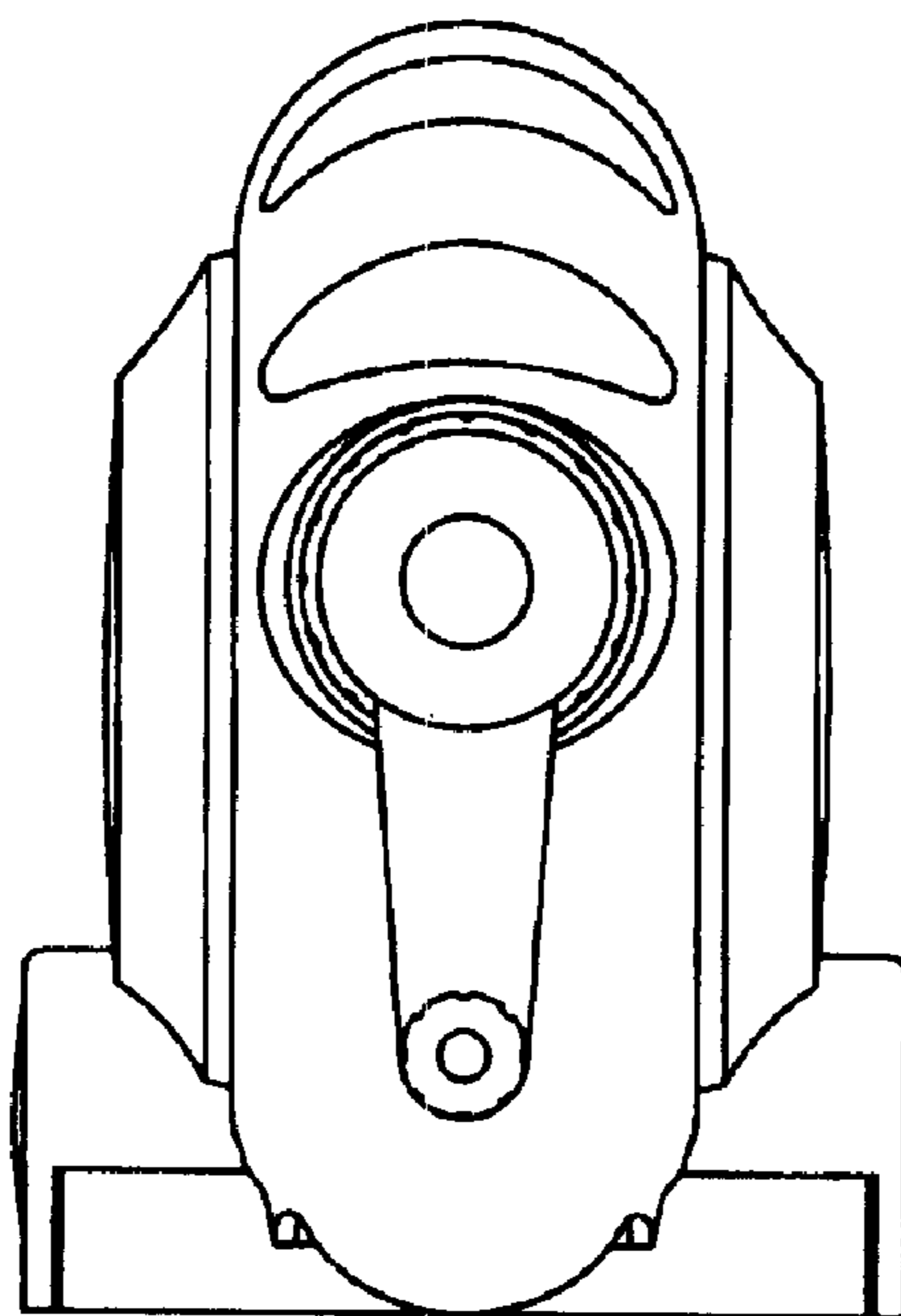


Fig. 5

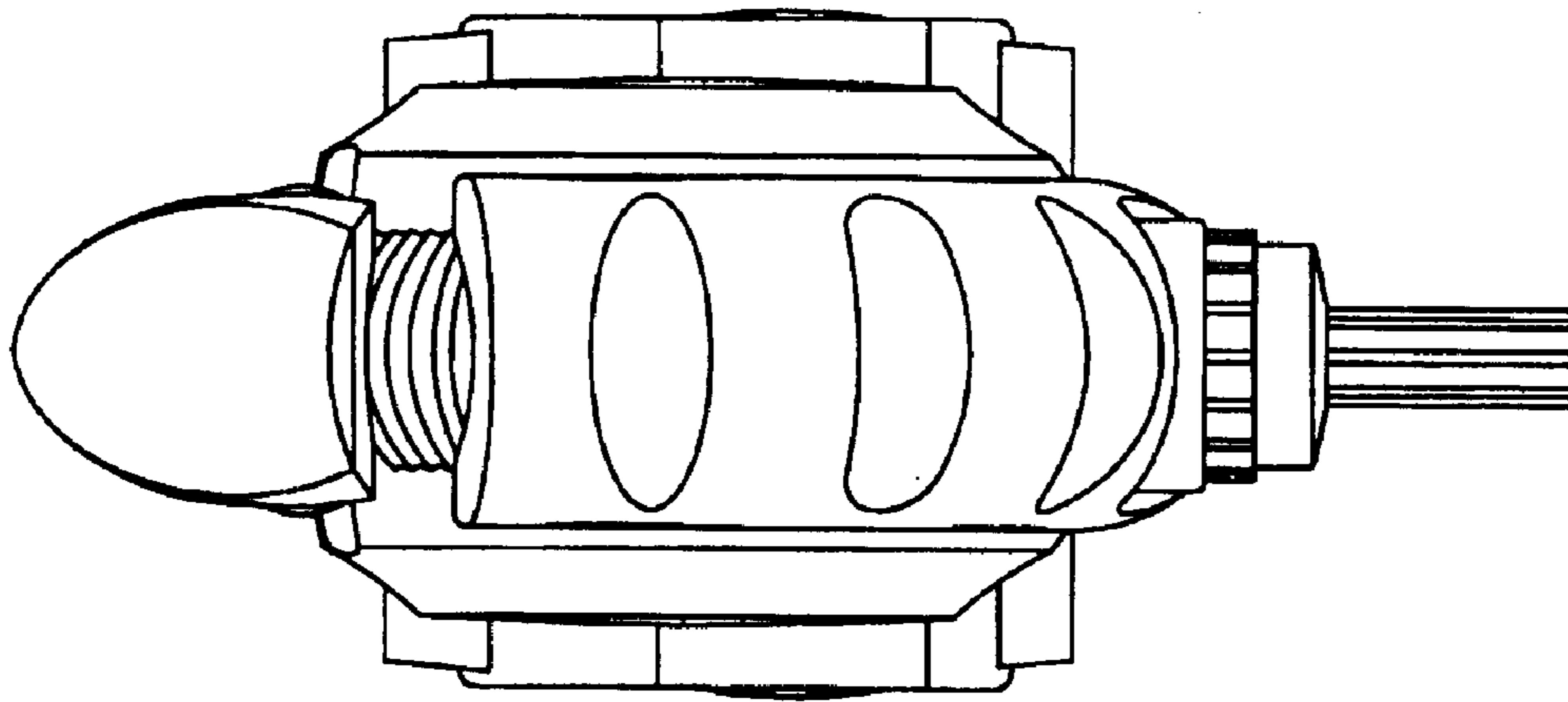


Fig. 6

