

US00D540872S

(12) **United States Design Patent**
Goolrick

(10) **Patent No.:** **US D540,872 S**

(45) **Date of Patent:** **** Apr. 17, 2007**

(54) **TAPE DISPENSER**

(76) **Inventor:** **Page Goolrick**, 20 W. 22nd St., New York, NY (US) 10010

(**) **Term:** **14 Years**

(21) **Appl. No.:** **29/256,594**

(22) **Filed:** **Mar. 22, 2006**

(51) **LOC (8) Cl.** **19-02**

(52) **U.S. Cl.** **D19/69**

(58) **Field of Classification Search** D19/70,
D19/69, 68; 242/588.6, 588.3, 588.2; 225/77,
225/6, 56, 39, 26, 25, 19, 11; 206/411; 156/577,
156/527, 523

See application file for complete search history.

(56) **References Cited**

U.S. PATENT DOCUMENTS

D177,224 S * 3/1956 Gershen D19/69
D182,793 S * 5/1958 Cullen D19/69

4,222,509 A * 9/1980 Smith 225/77
5,494,204 A * 2/1996 Wang 225/25

* cited by examiner

Primary Examiner—Cathron C. Brooks

Assistant Examiner—Austin Murphy

(74) *Attorney, Agent, or Firm*—Alston & Bird LLP

(57) **CLAIM**

The ornamental design for a tape dispenser, as shown and described.

DESCRIPTION

FIG. 1 is a side perspective view of a tape dispenser showing my new design.

FIG. 2 is a front perspective view thereof.

FIG. 3 is a top perspective view thereof.

FIG. 4 is a side perspective view thereof.

FIG. 5 is a side perspective view thereof.

FIG. 6 is a back perspective view thereof; and,

FIG. 7 is a bottom perspective view thereof.

1 Claim, 4 Drawing Sheets

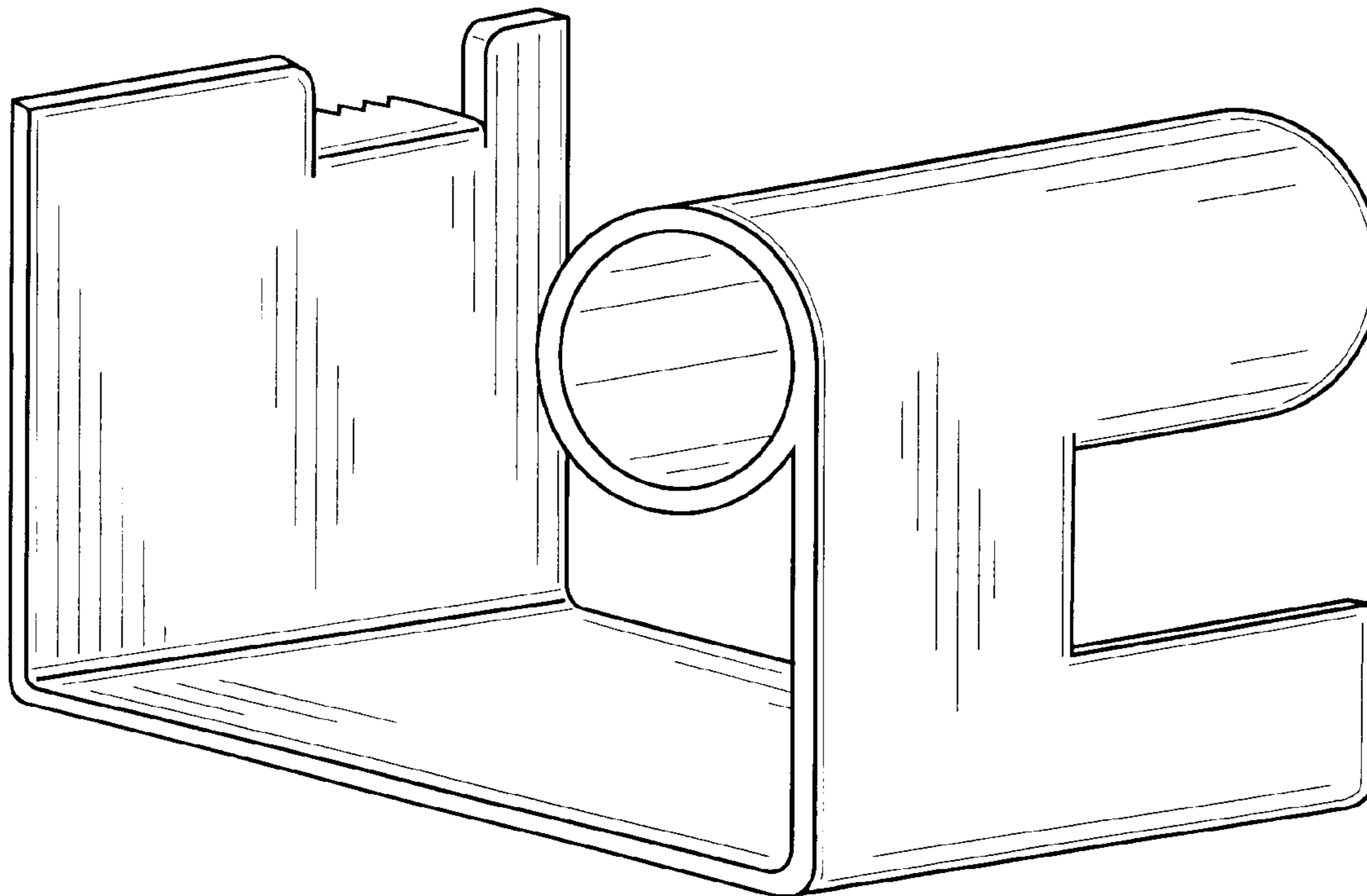


FIG. 1

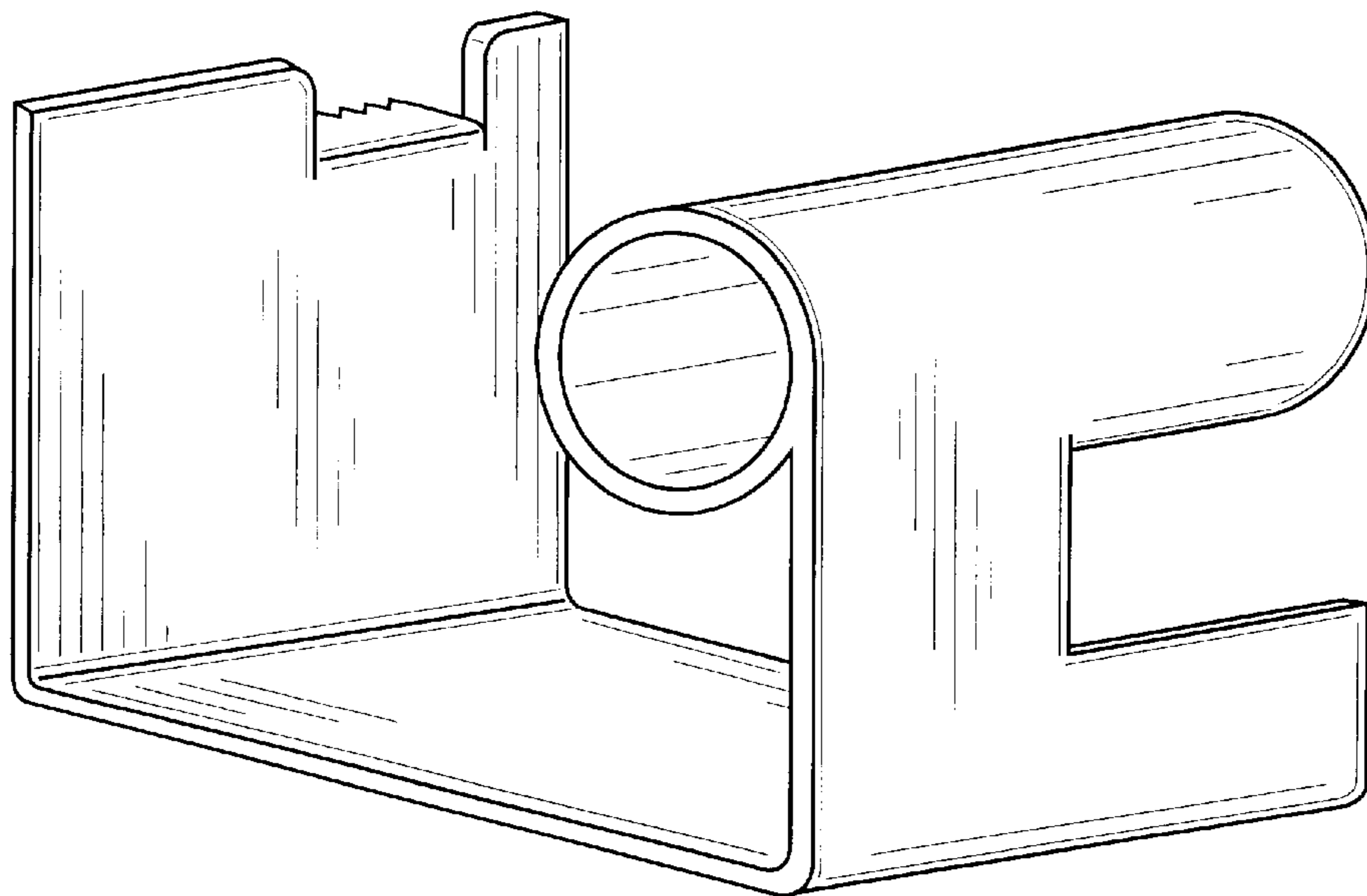


FIG. 2

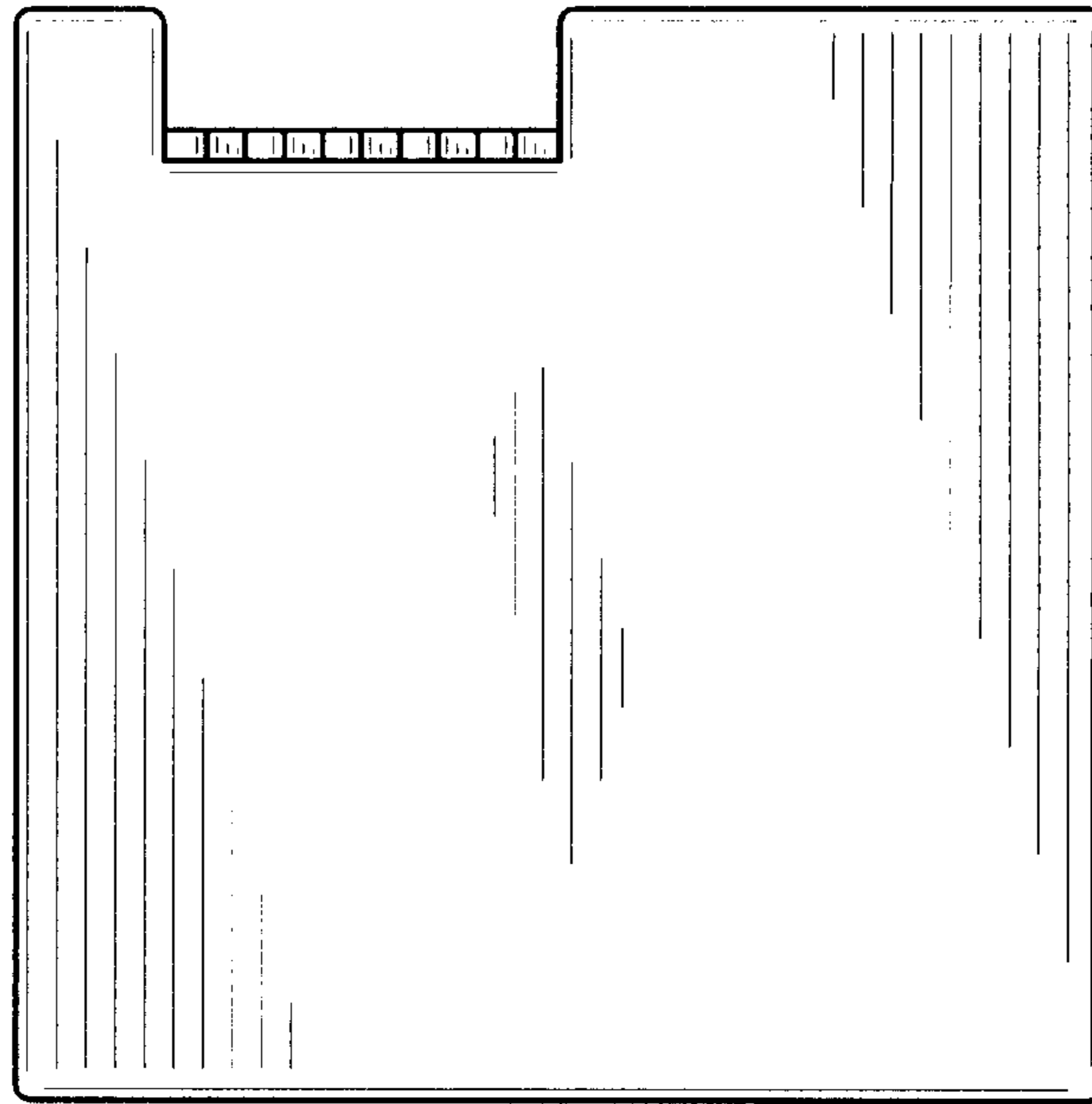


FIG. 3

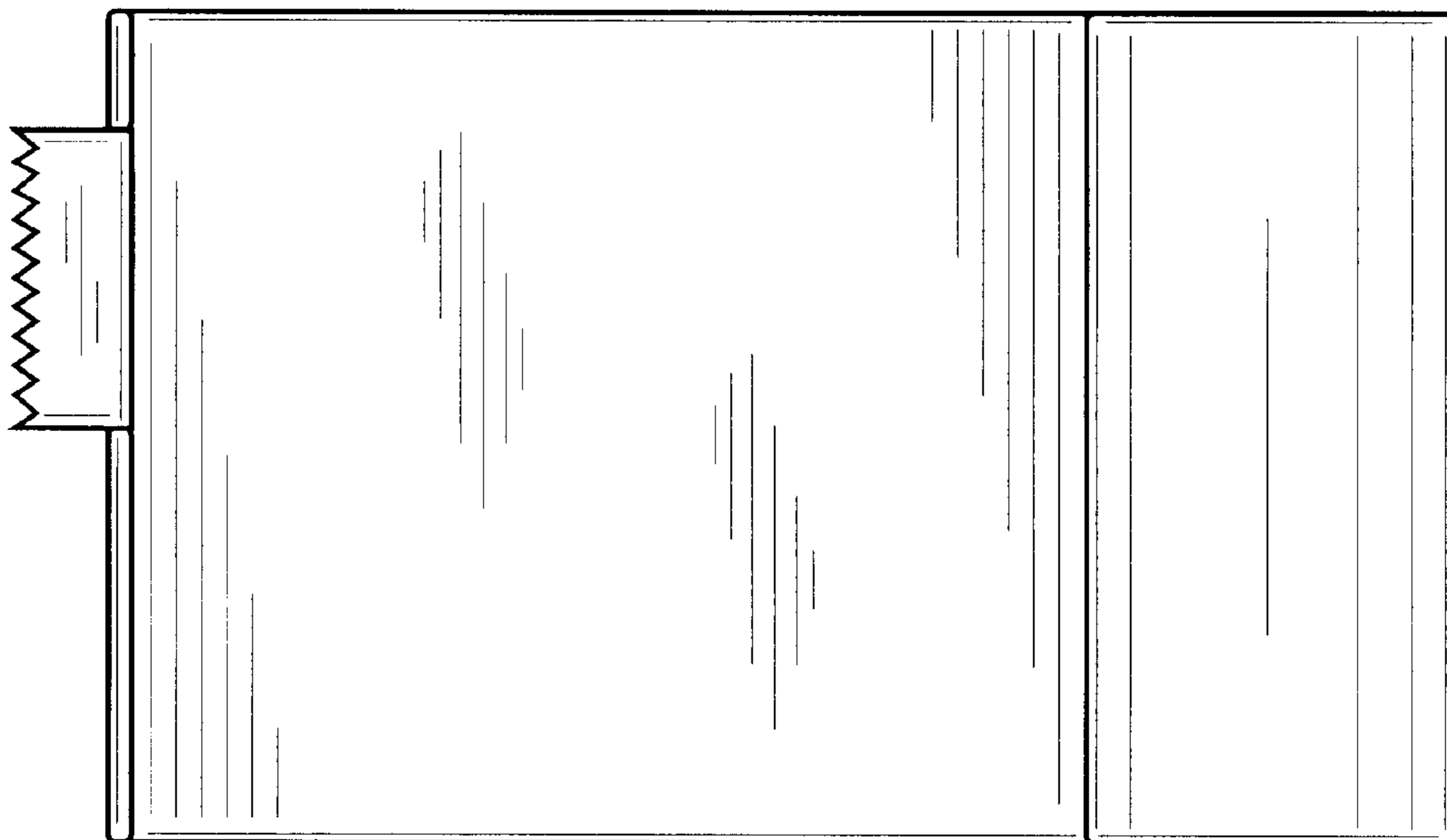


FIG. 4

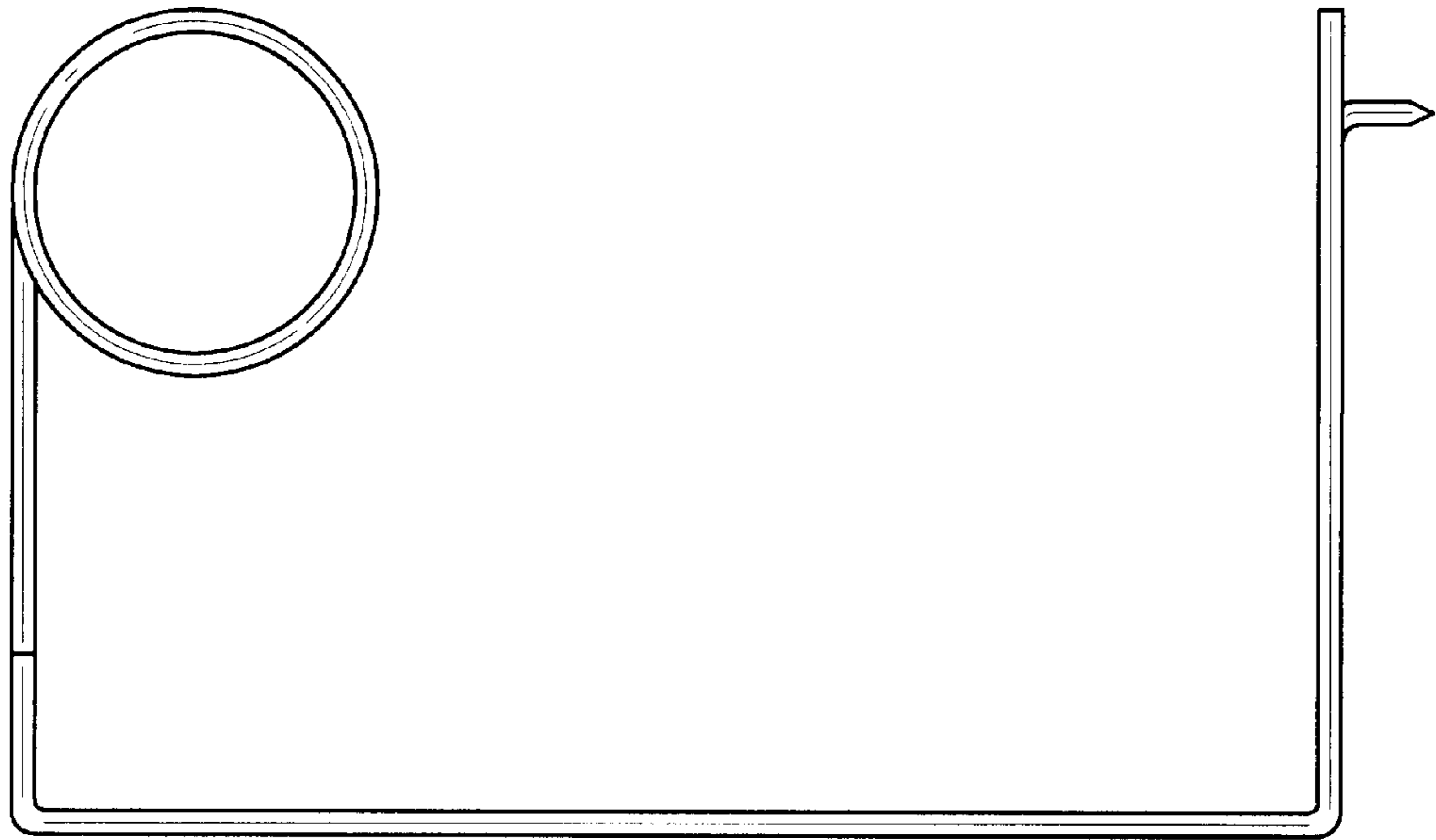


FIG. 5

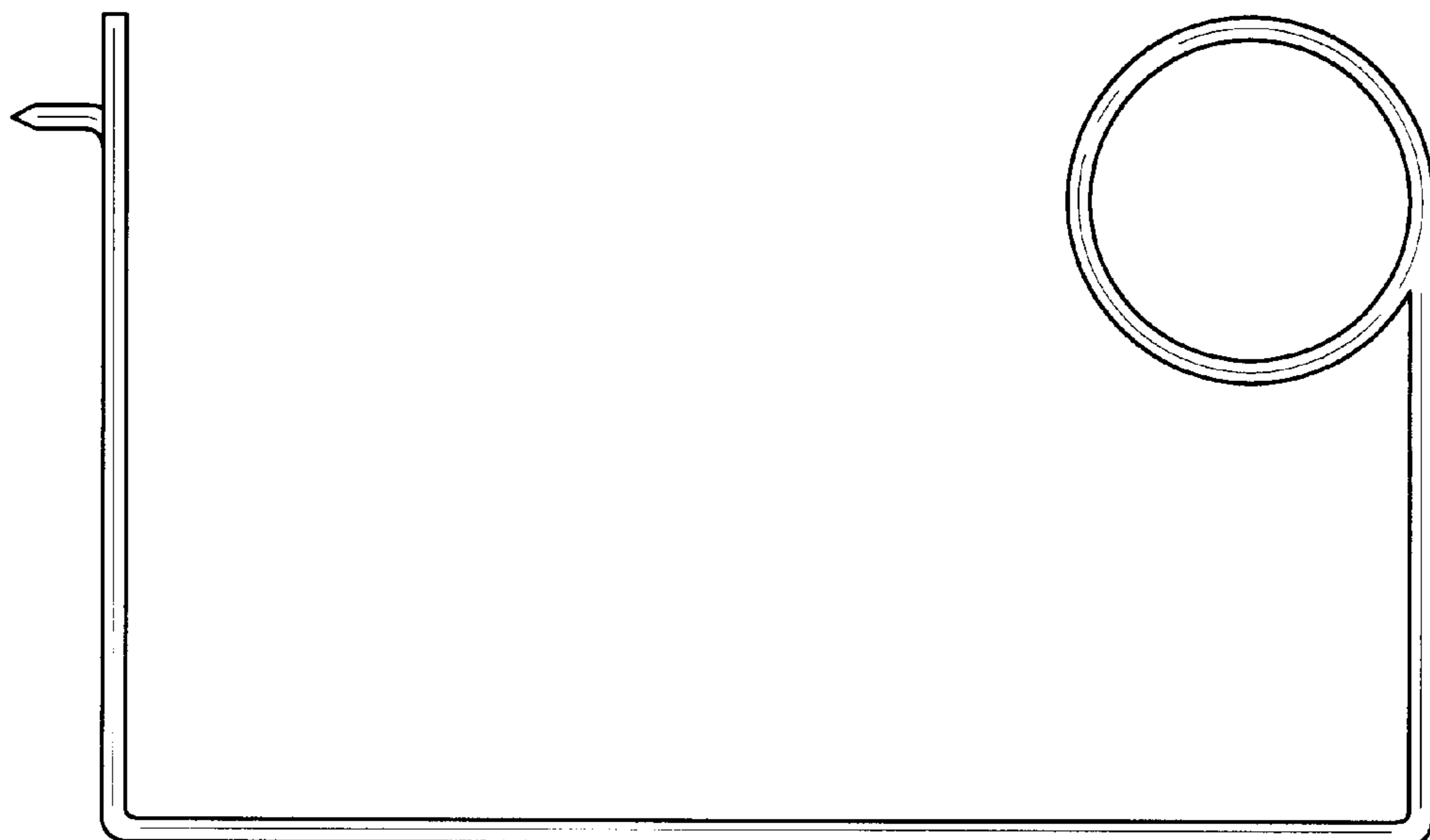


FIG. 6

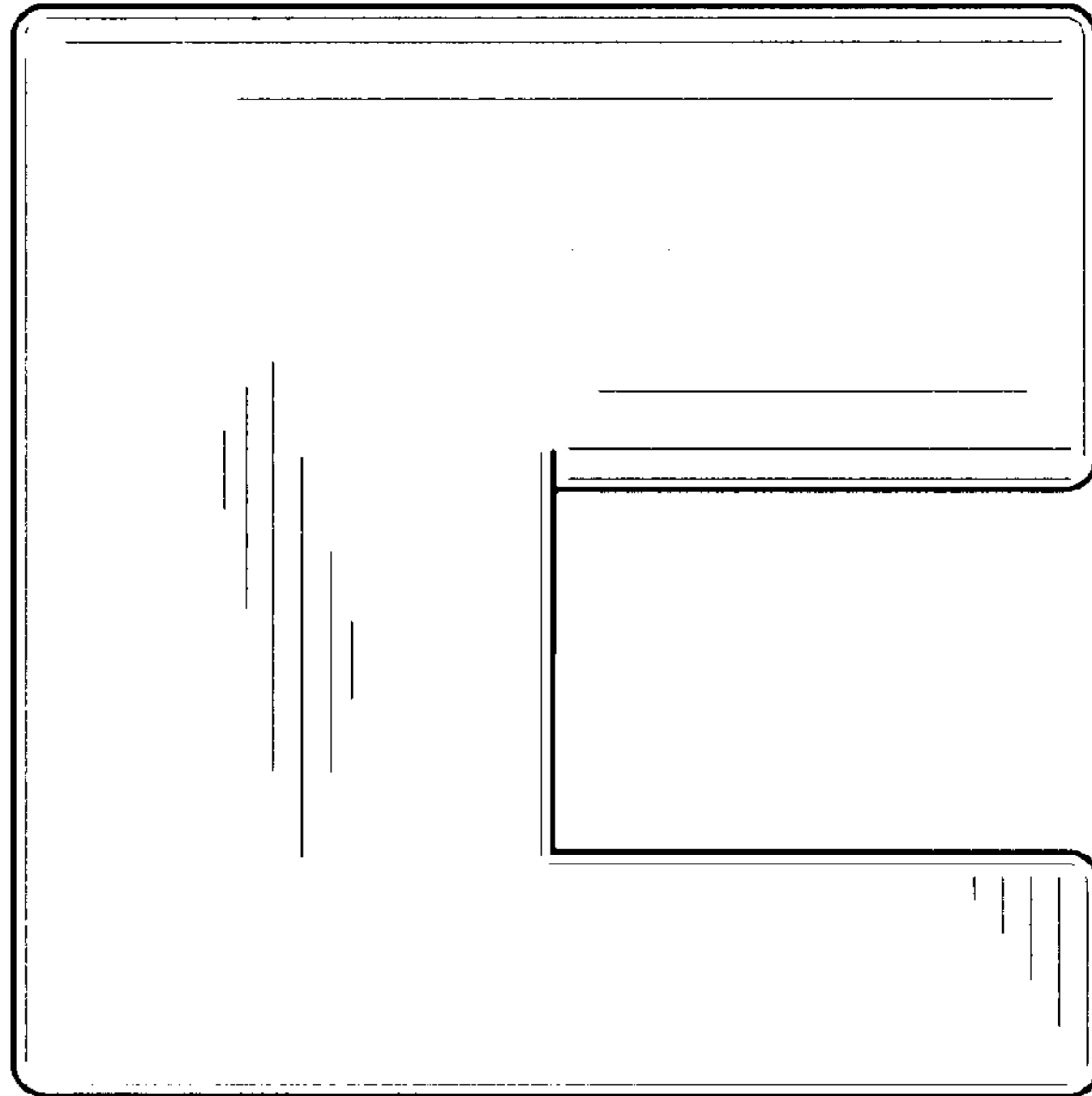


FIG. 7

