

US00D540869S

(12) **United States Design Patent**  
**Lau**

(10) **Patent No.:** **US D540,869 S**  
(45) **Date of Patent:** **\*\* Apr. 17, 2007**

(54) **INTEGRATED TABBED NOTE AND CLIP KIT**

(76) Inventor: **Janet K. Lau**, 1937 Abreu Way, Union City, CA (US) 94587

(\*\*) Term: **14 Years**

(21) Appl. No.: **29/247,962**

(22) Filed: **Jul. 21, 2006**

(51) **LOC (8) Cl.** ..... **19-02**

(52) **U.S. Cl.** ..... **D19/65**

(58) **Field of Classification Search** ..... D3/304, D3/313, 319; D6/475, 512; D9/414, 415, D9/432, 433, 456; D19/1, 2, 5, 6, 34, 65, D19/90, 91, 99, 100; 40/124.01–124.19, 40/312, 625, 641, 642.02, 651, 658, 659, 40/661, 664, 666; 206/736, 214, 215, 216, 206/223, 575, 576, 224, 425; D20/22, 27, D20/43; 24/67 R, 67.3, 67.5, 67.7, 67.9, 24/67.11, 489, 531, 532, 546, 564, 570, DIG. 8, 24/DIG. 9, DIG. 10

See application file for complete search history.

(56) **References Cited**

**U.S. PATENT DOCUMENTS**

332,327 A	12/1885	Clark
863,265 A	8/1907	Crouse
876,252 A	1/1908	Baker
962,397 A	6/1910	Whitmore
1,052,505 A	2/1913	Munger et al.
1,123,008 A	12/1914	Rice
1,158,940 A	11/1915	Litt et al.
1,178,113 A	4/1916	Turton et al.
D50,594 S	4/1917	Voges

(Continued)

*Primary Examiner*—Elizabeth Albert  
(74) *Attorney, Agent, or Firm*—Aka Chan LLP

(57) **CLAIM**

The ornamental design for an integrated tabbed note and clip kit, as shown and described.

**DESCRIPTION**

FIG. 1 shows a perspective view of a first embodiment of a design for an integrated tabbed note and clip kit.

FIG. 2 shows a top view of the first embodiment.

FIG. 3 shows a front view of the first embodiment.

FIG. 4 shows a right-side view of the first embodiment. A left-side view of this embodiment is a mirror image of this figure.

FIG. 5 shows a back view of the first embodiment.

FIG. 6 shows a bottom view of the first embodiment.

FIG. 7 shows a perspective view of a second embodiment of a design for an integrated tabbed note and clip kit.

FIG. 8 shows a top view of the second embodiment.

FIG. 9 shows a front view of the second embodiment.

FIG. 10 shows a right-side view of the second embodiment. A left-side view of this embodiment is a mirror image of this figure.

FIG. 11 shows a back view of the second embodiment.

FIG. 12 shows a bottom view of the second embodiment.

FIG. 13 shows a perspective view of a third embodiment of a design for an integrated tabbed note and clip kit.

FIG. 14 shows a top view of the third embodiment.

FIG. 15 shows a front view of the third embodiment.

FIG. 16 shows a right-side view of the third embodiment. A left-side view of this embodiment is a mirror image of this figure.

FIG. 17 shows a back view of the third embodiment.

FIG. 18 shows a bottom view of the third embodiment.

FIG. 19 shows a perspective view of a fourth embodiment of a design for an integrated tabbed note and clip kit.

FIG. 20 shows a top view of the fourth embodiment.

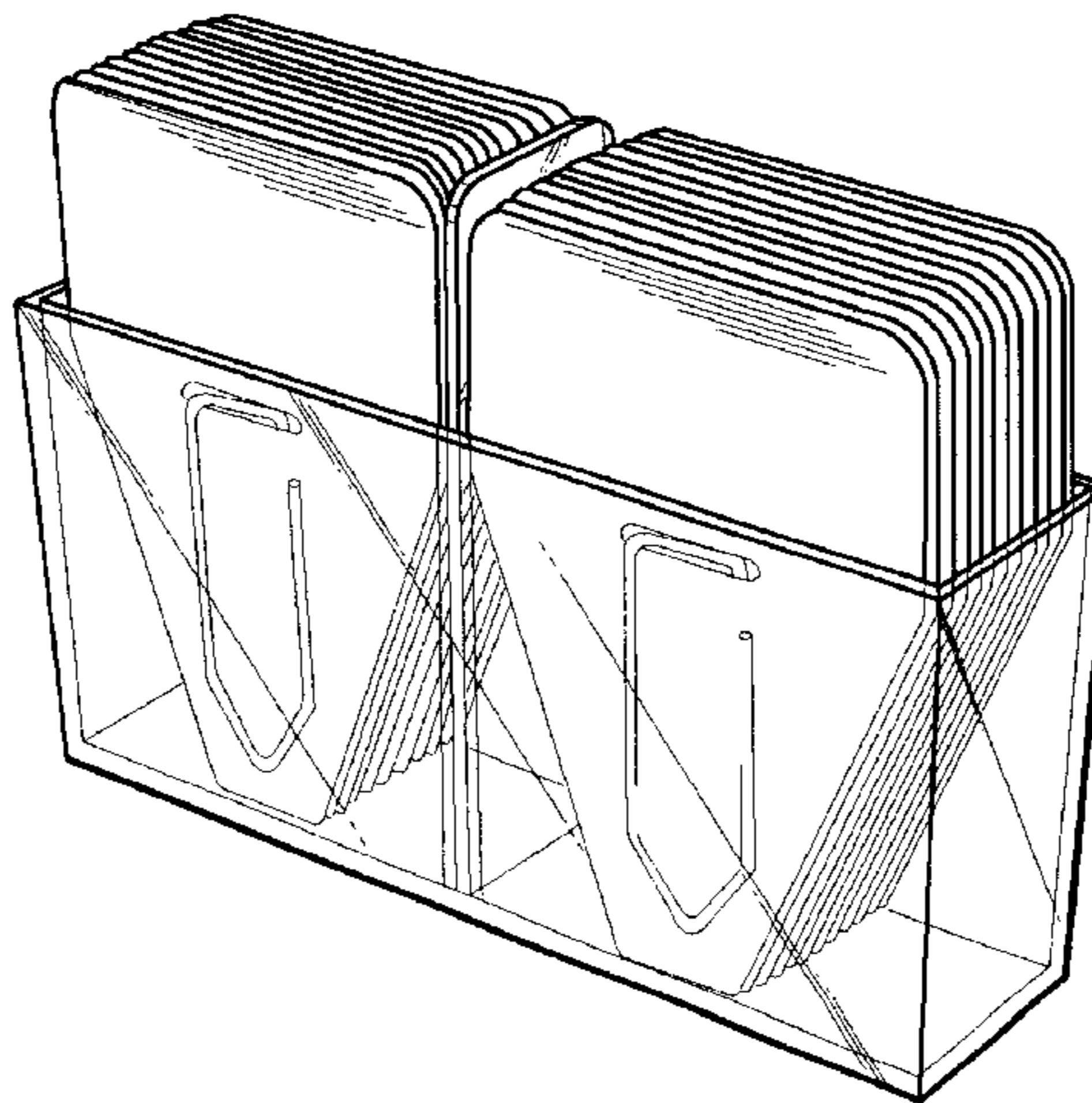
FIG. 21 shows a front view of the fourth embodiment.

FIG. 22 shows a right-side view of the fourth embodiment. A left-side view of this embodiment is a mirror image of this figure.

FIG. 23 shows a back view of the fourth embodiment; and,

FIG. 24 shows a bottom view of the fourth embodiment.

**1 Claim, 8 Drawing Sheets**

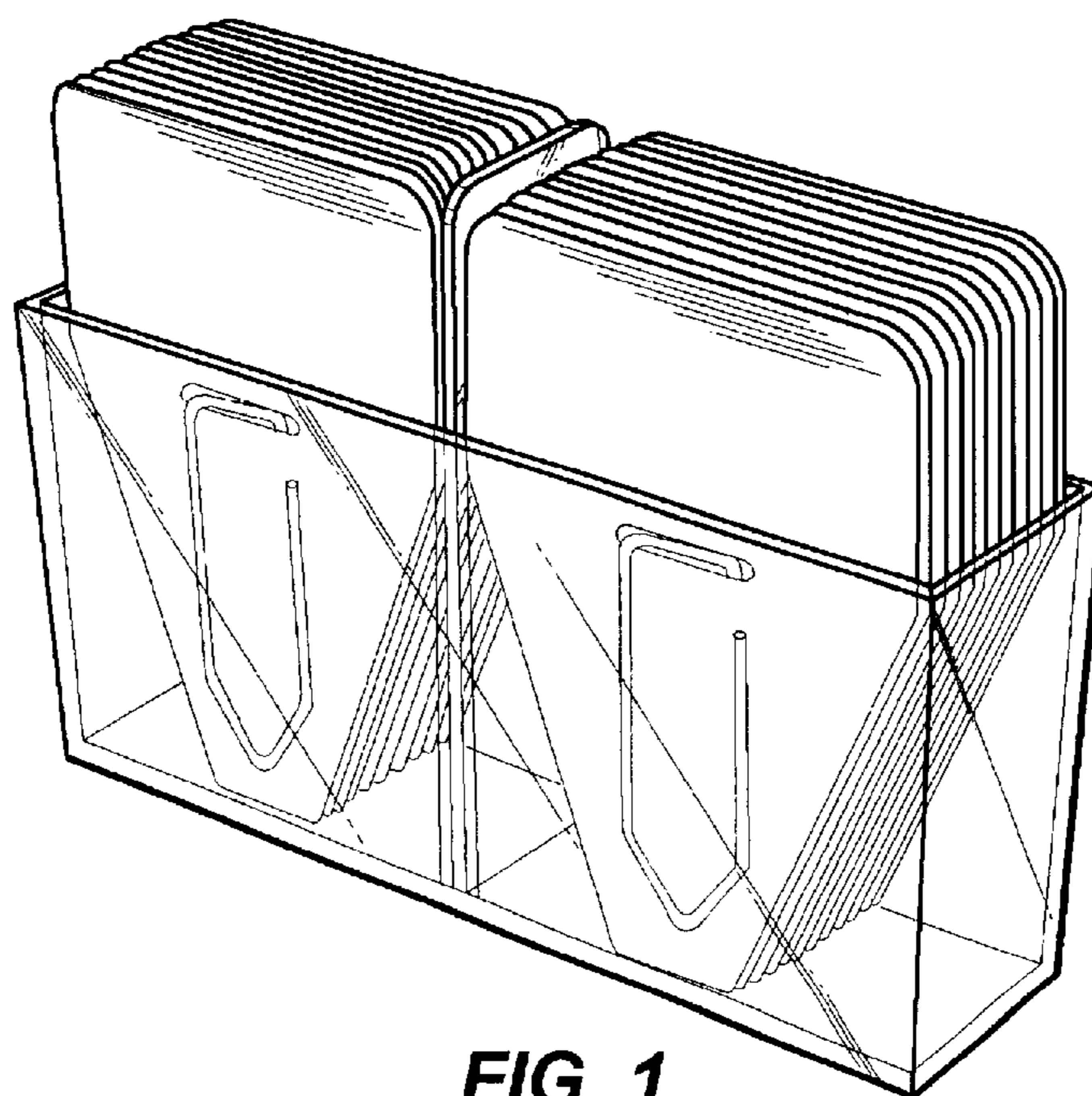


# US D540,869 S

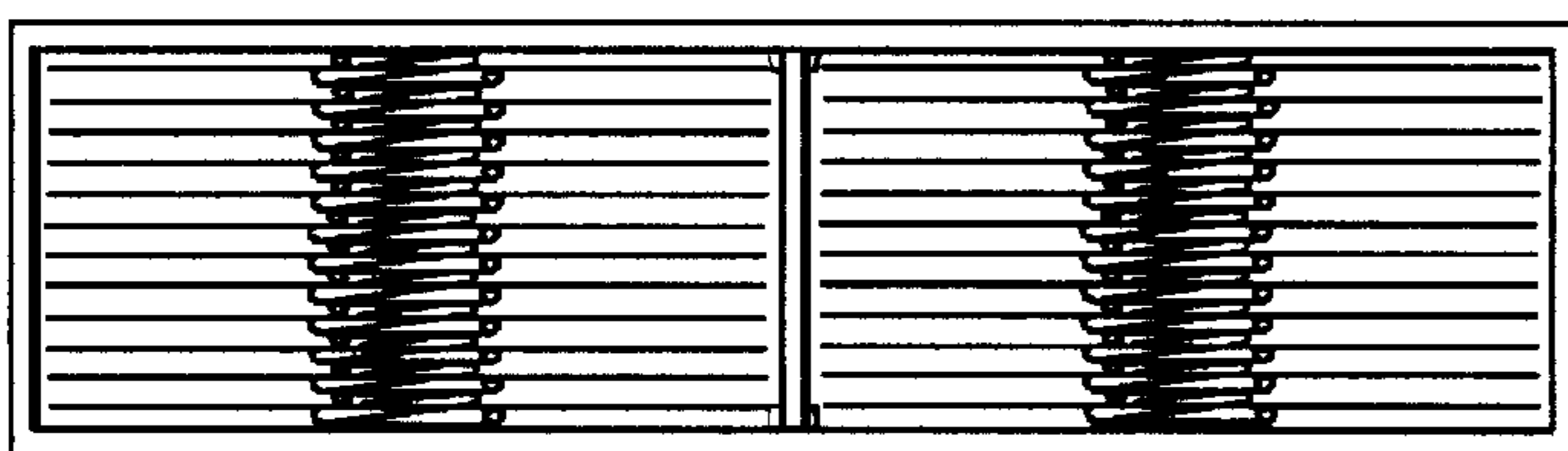
## U.S. PATENT DOCUMENTS

1,345,365 A	7/1920	Hutchison		3,247,602 A	4/1966	Hamilton et al.
1,465,576 A	8/1923	Biggs		3,290,810 A	12/1966	Morena
1,501,067 A	7/1924	Schaffert		3,360,877 A	1/1968	Estep
1,524,478 A	1/1925	Hunter		3,813,813 A *	6/1974	Powell ..... 47/68
1,587,335 A	6/1926	Kline		3,934,368 A	1/1976	Fearing
1,661,165 A	3/1928	Cameron		D241,342 S	9/1976	Carroll
1,778,031 A	10/1930	Kinch		D268,848 S	5/1983	Lorber
1,802,980 A	4/1931	Marsh		4,384,417 A	5/1983	Thompson
1,826,580 A	10/1931	Spinney		4,425,724 A	1/1984	Scott
1,840,604 A	1/1932	Randall		4,646,455 A	3/1987	Gardner
1,894,906 A	1/1933	Henry		4,691,458 A	9/1987	Scott
1,914,671 A	6/1933	O'Neil		D295,540 S	5/1988	Rabig
1,976,465 A	10/1934	Thomson		D299,094 S *	12/1988	Mills ..... D6/515
1,977,096 A	10/1934	Straubel		4,878,302 A *	11/1989	Jowsey ..... 40/302
1,985,866 A	12/1934	Lankenau		4,951,408 A	8/1990	Banks
1,997,894 A	4/1935	Woodley		D314,012 S	1/1991	Klodt
2,008,019 A	7/1935	Horlick, Jr.		D327,183 S	6/1992	Meyer
D104,956 S	6/1937	Baker		5,199,203 A	4/1993	Jones
2,097,690 A *	11/1937	Ferngren ..... 229/406		D337,940 S *	8/1993	Aquino ..... D19/90
2,118,043 A	5/1938	Goza		D348,390 S *	7/1994	Van Ness ..... D9/760
2,156,743 A	5/1939	Skrebba		D352,855 S *	11/1994	Wolff ..... D6/515
2,218,438 A *	10/1940	Robinson ..... 40/658		5,481,784 A	1/1996	Sinaiko
2,323,552 A	7/1943	Marion		5,507,459 A	4/1996	Kiera
D136,639 S	11/1943	Hoffman		D382,405 S	8/1997	Ohayon
2,362,445 A	11/1944	Bodgett		D383,789 S	9/1997	Shyu
2,415,248 A	2/1947	Kenna et al.		D409,245 S	5/1999	Wolff
2,420,021 A	5/1947	Straubel		D416,040 S	11/1999	Kasom et al.
2,575,257 A *	11/1951	Boulware ..... 428/115		D452,153 S *	12/2001	Dardashti ..... D9/430
2,623,311 A	12/1952	Condon		D465,525 S	11/2002	Dilday
2,695,026 A	11/1954	Broneer		D474,688 S *	5/2003	Litts ..... D3/295
2,911,104 A *	11/1959	Hoofer ..... 211/54.1		D476,172 S	6/2003	Bourne, Sr.
3,073,046 A	1/1963	Condon		2004/0221493 A1 *	11/2004	LaMalfa ..... 40/124.01
3,092,301 A *	6/1963	Selle ..... 229/120.011		2005/0217078 A1	10/2005	Groch et al.
3,123,924 A	3/1964	Roberts		2006/0000133 A1	1/2006	Windorski
3,225,469 A	12/1965	Chase				

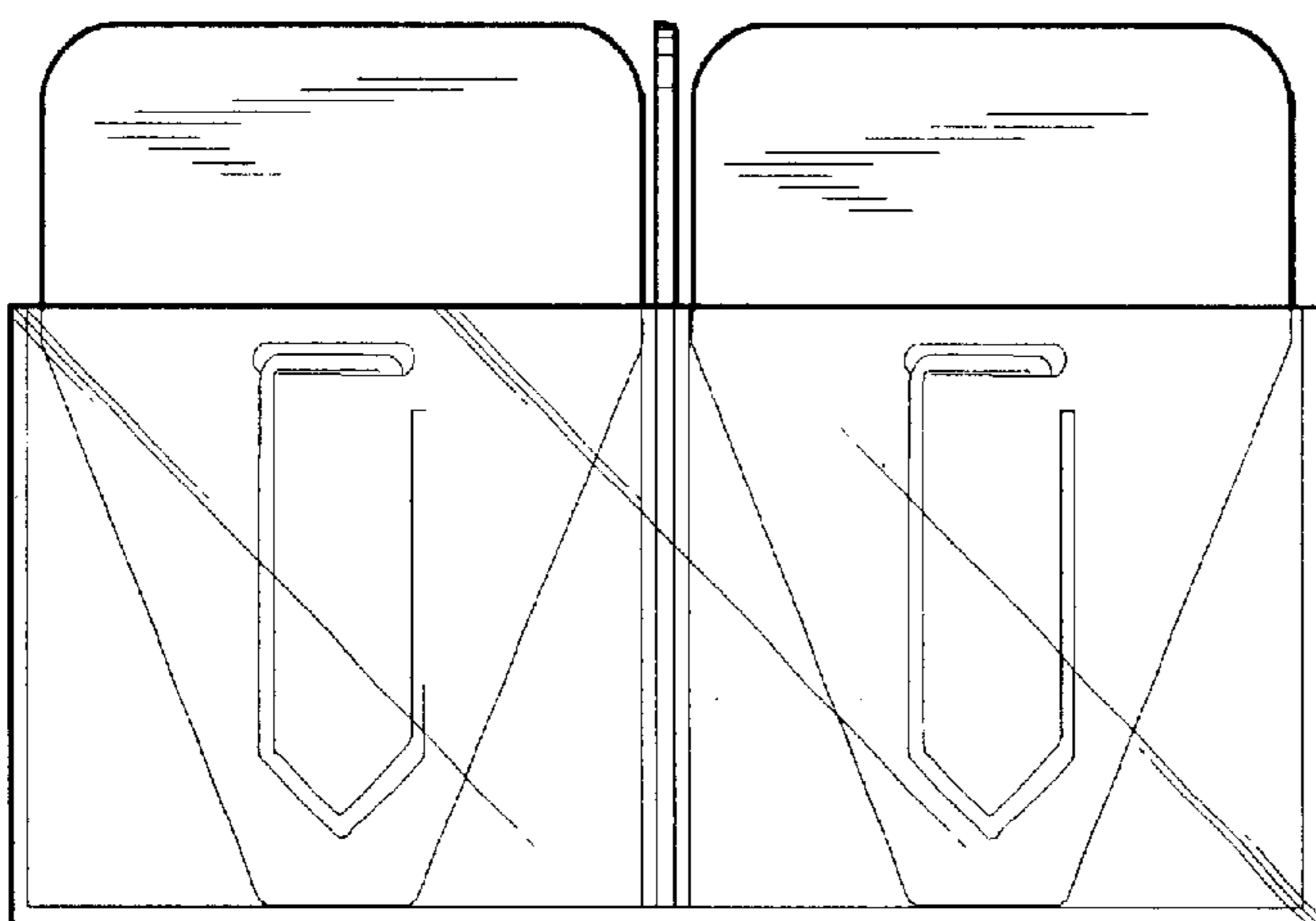
\* cited by examiner



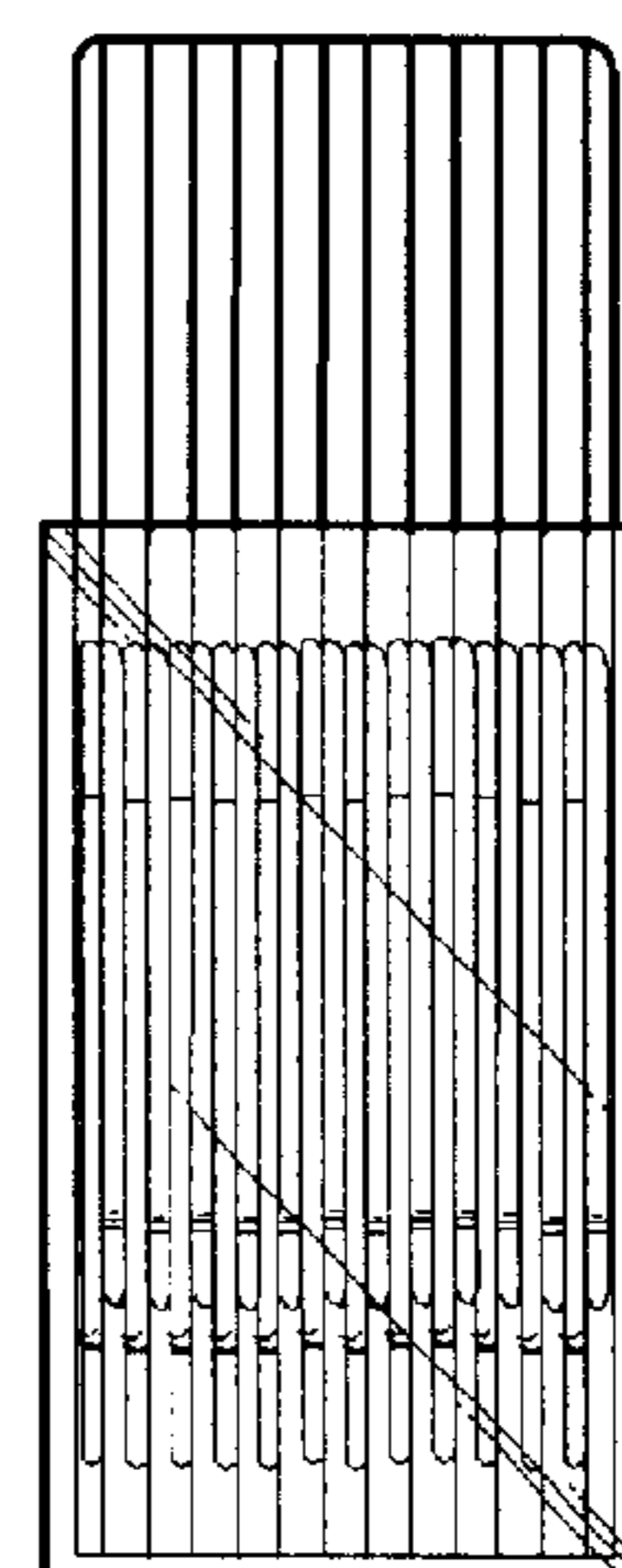
**FIG. 1**



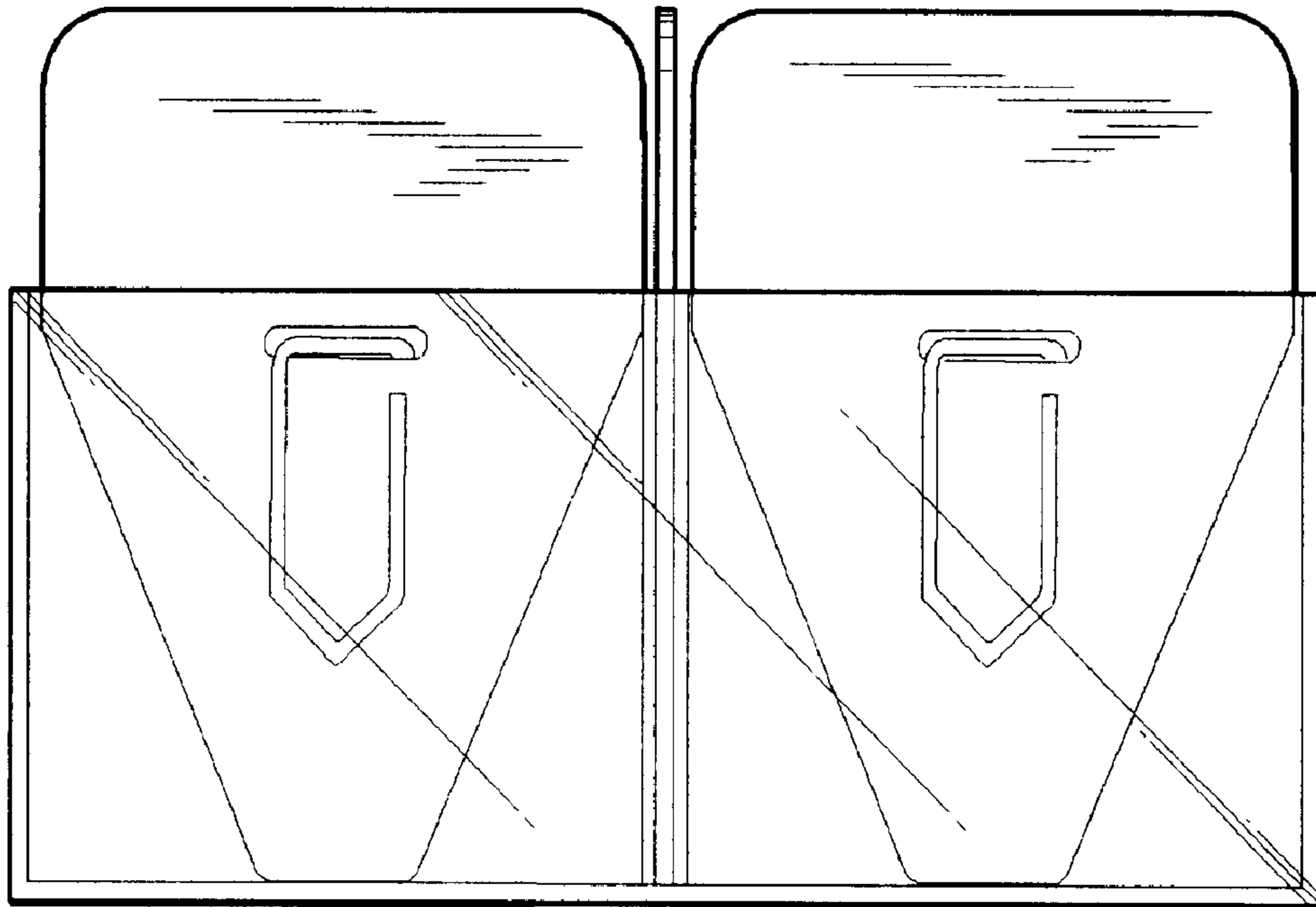
**FIG. 2**



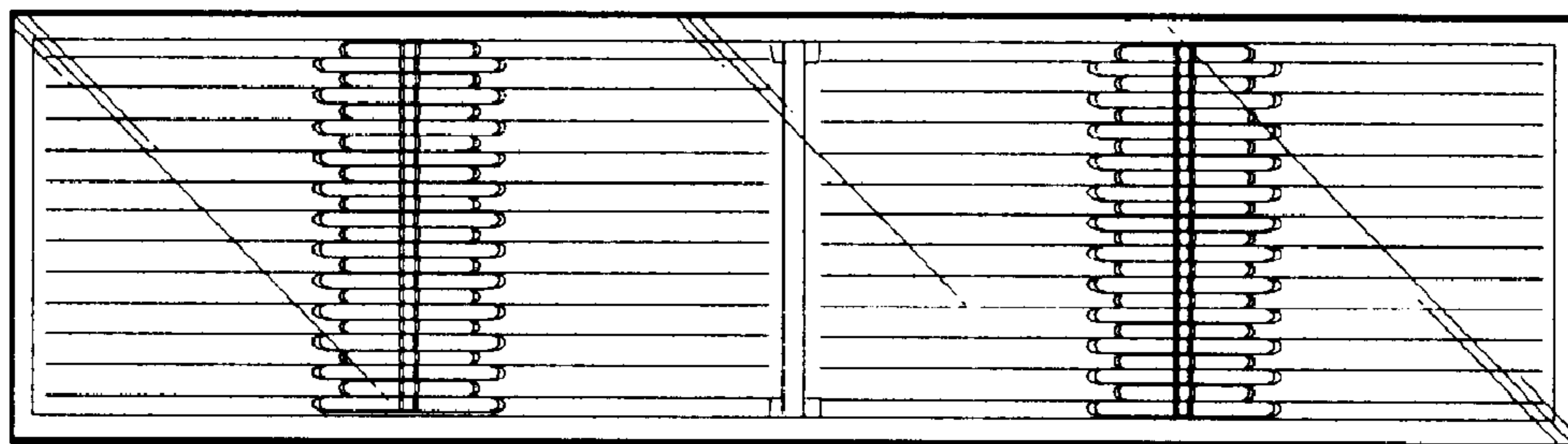
**FIG. 3**



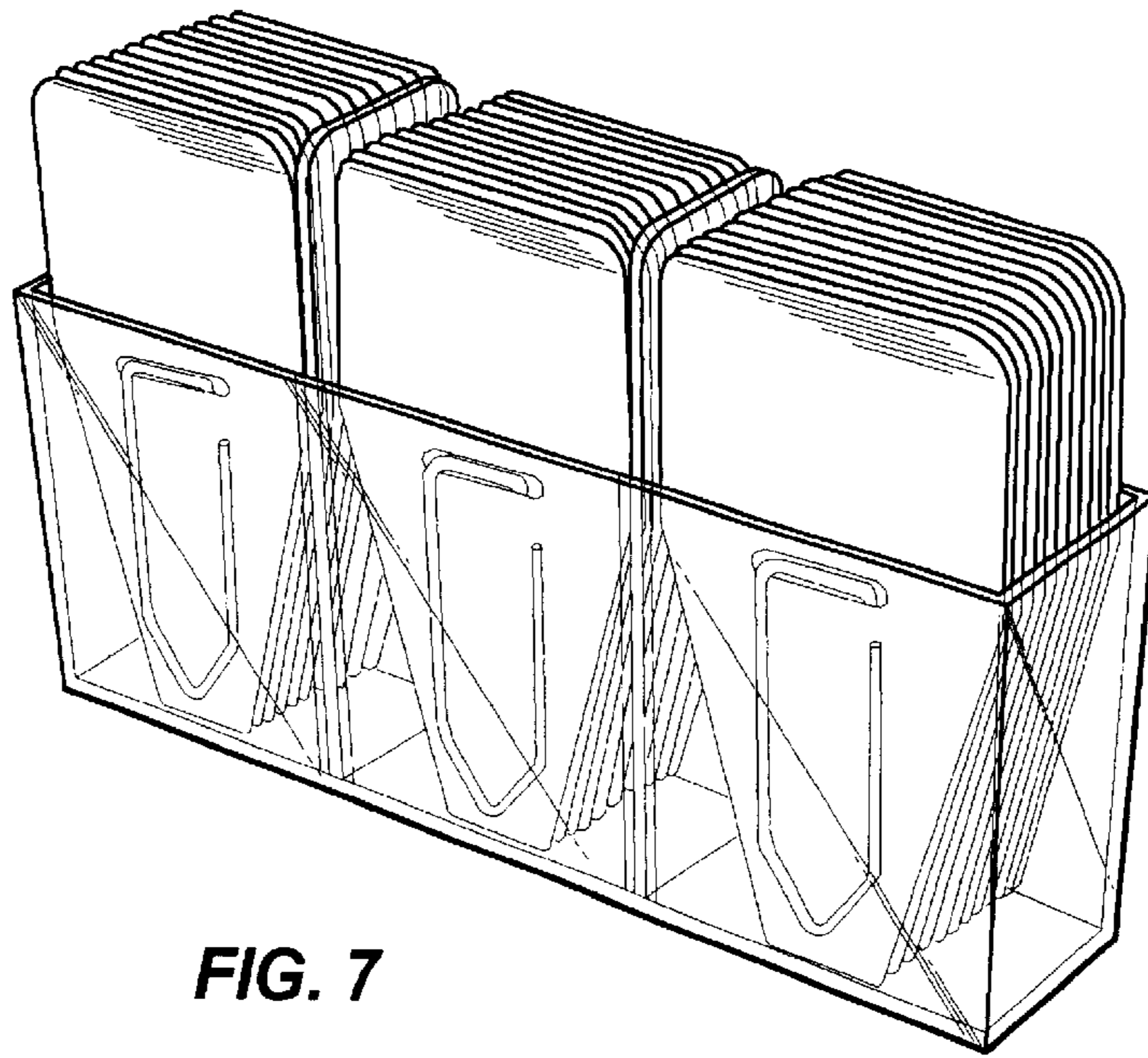
**FIG. 4**



**FIG. 5**



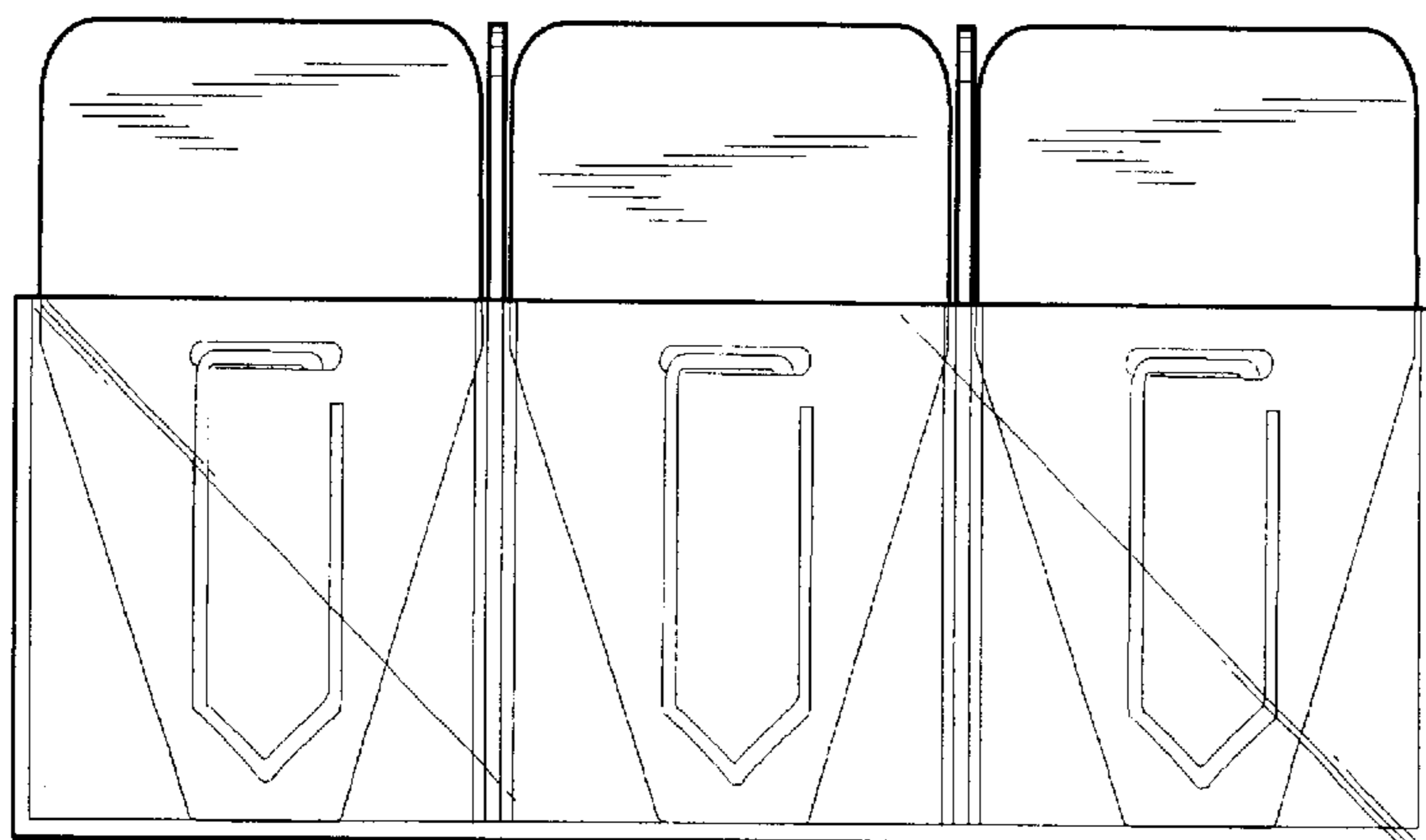
**FIG. 6**



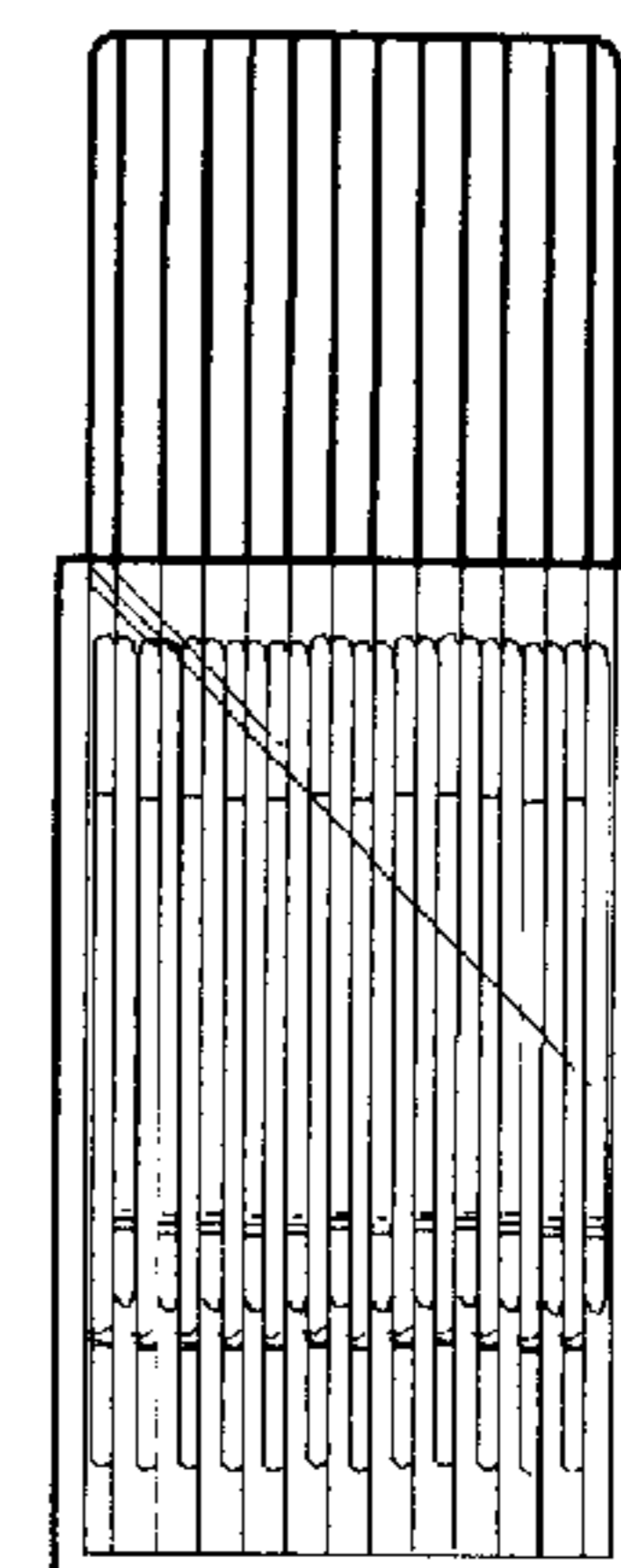
**FIG. 7**



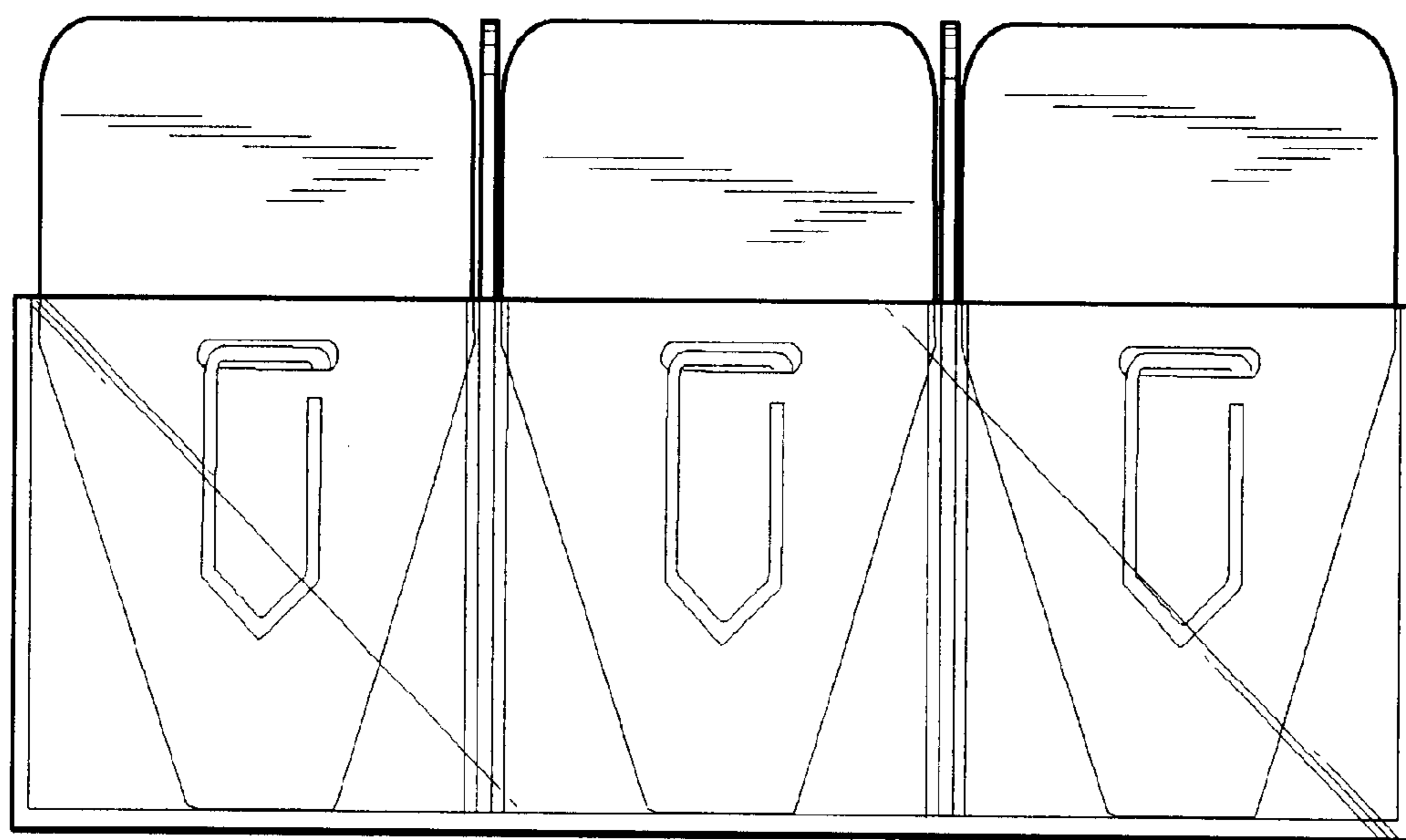
**FIG. 8**



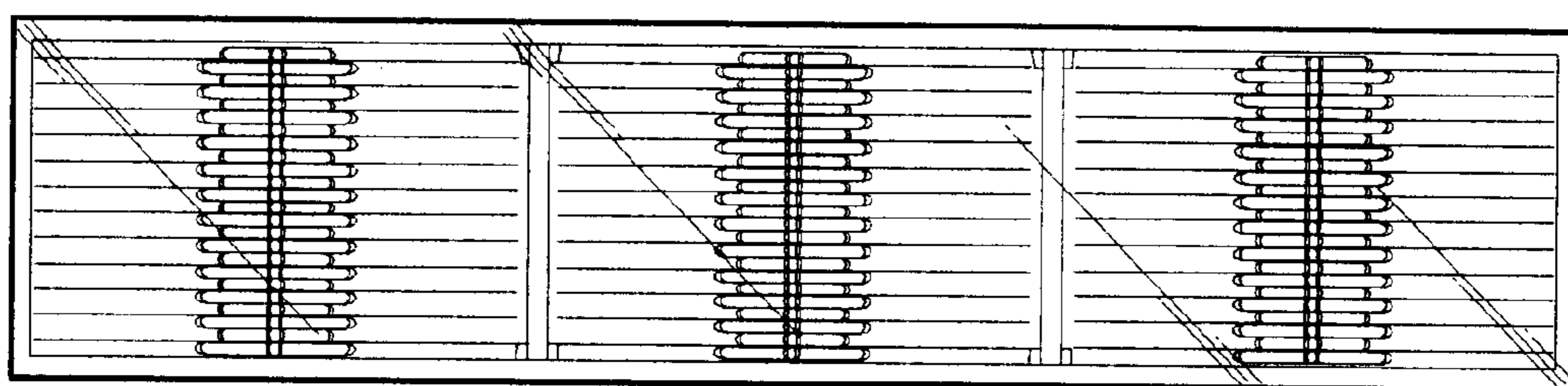
**FIG. 9**



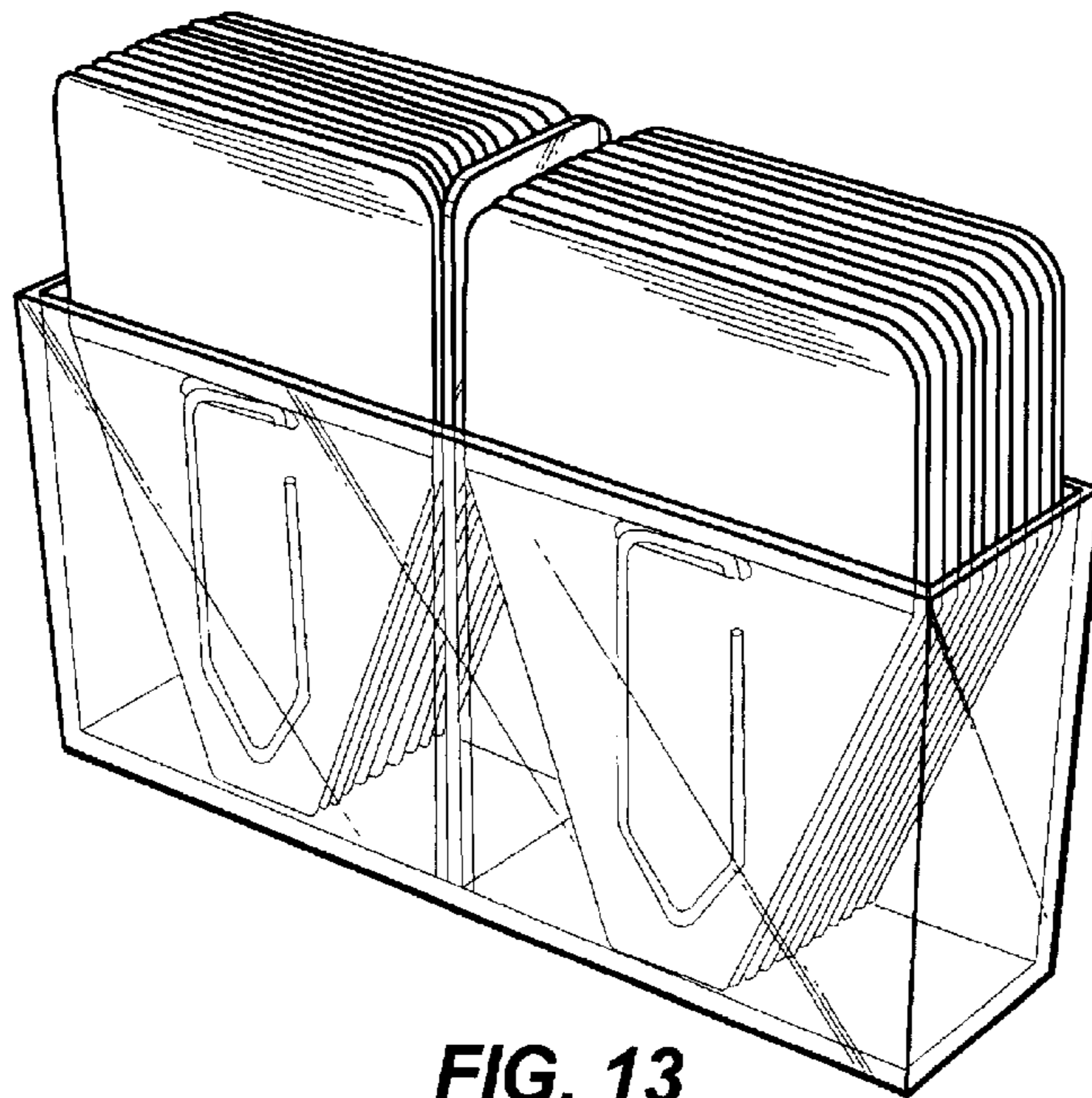
**FIG. 10**



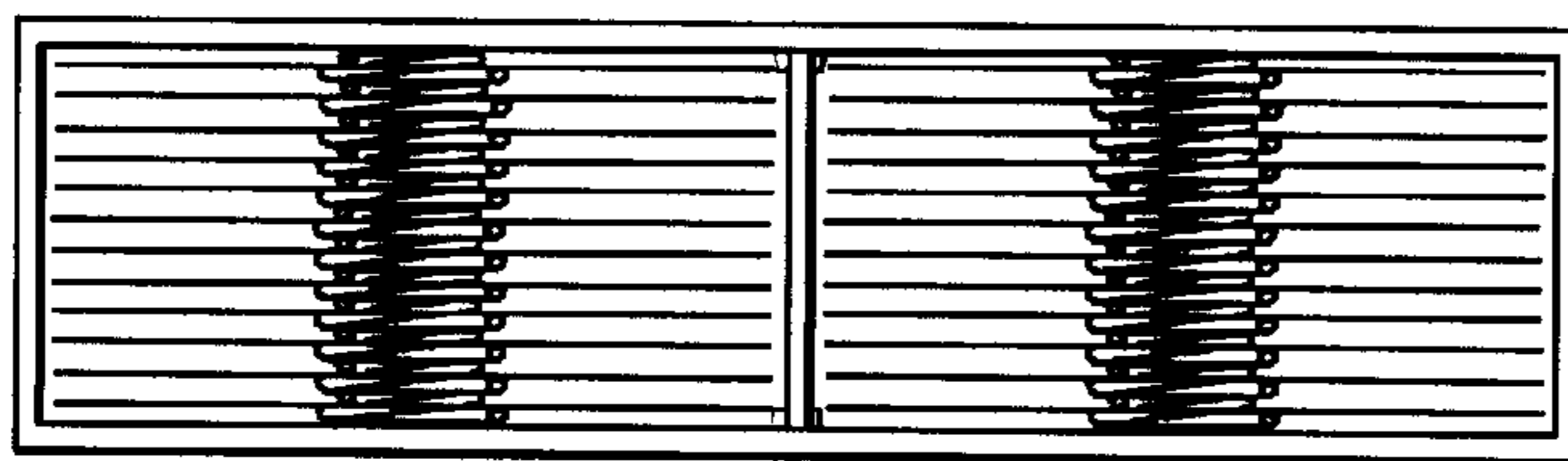
**FIG. 11**



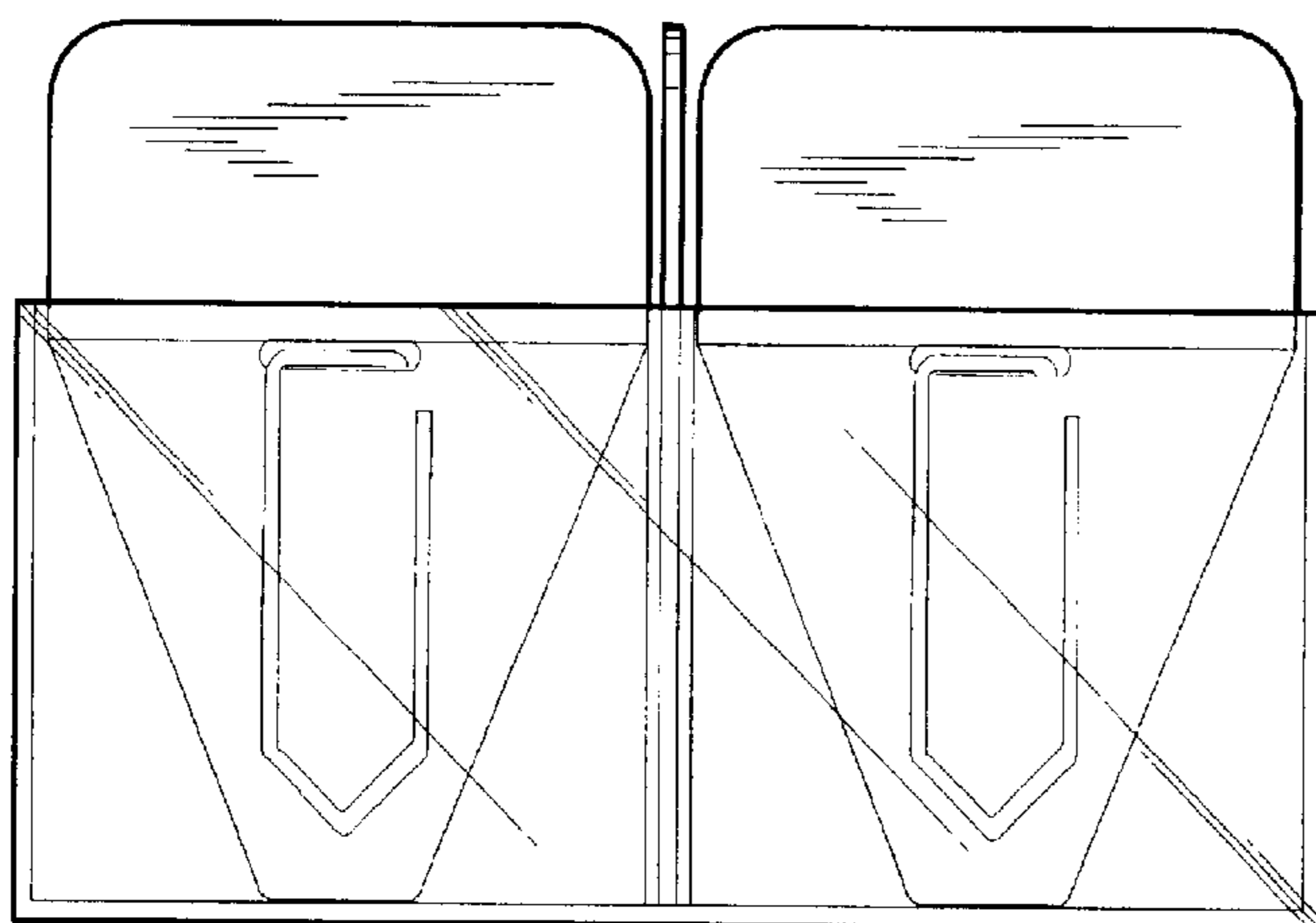
**FIG. 12**



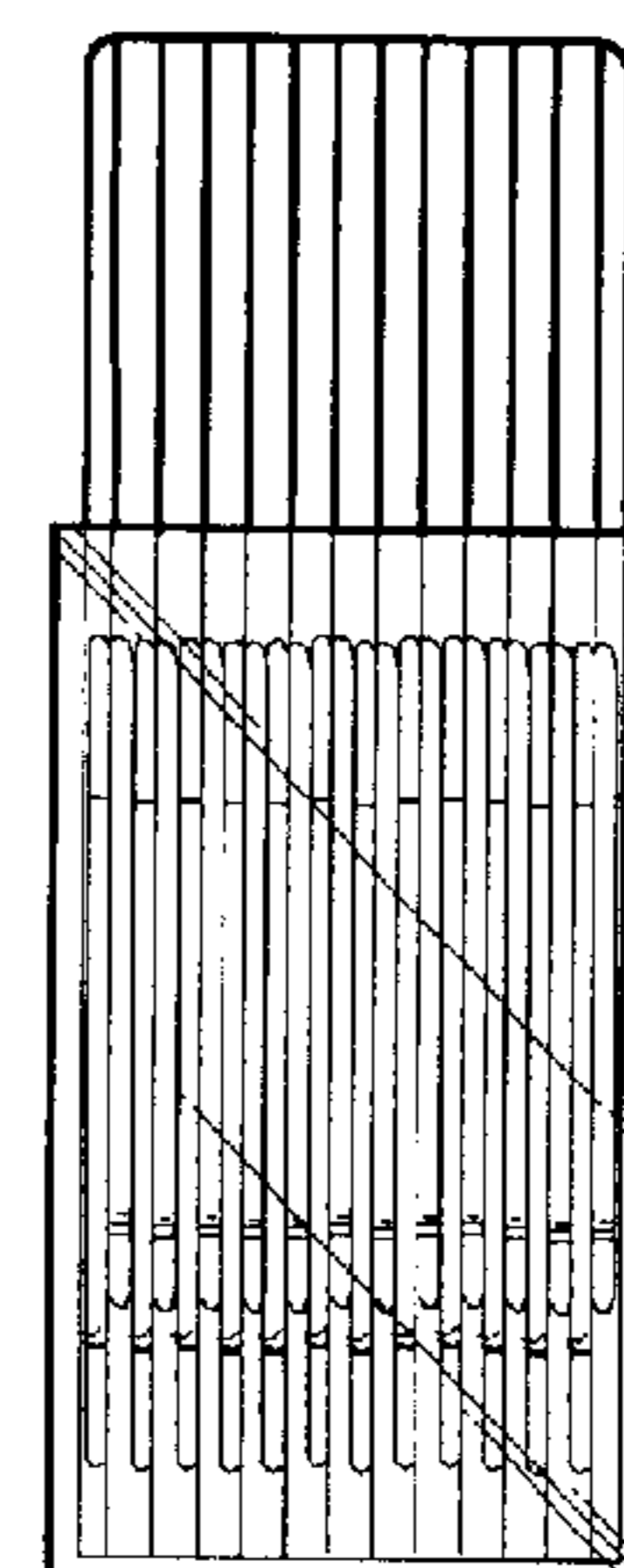
**FIG. 13**



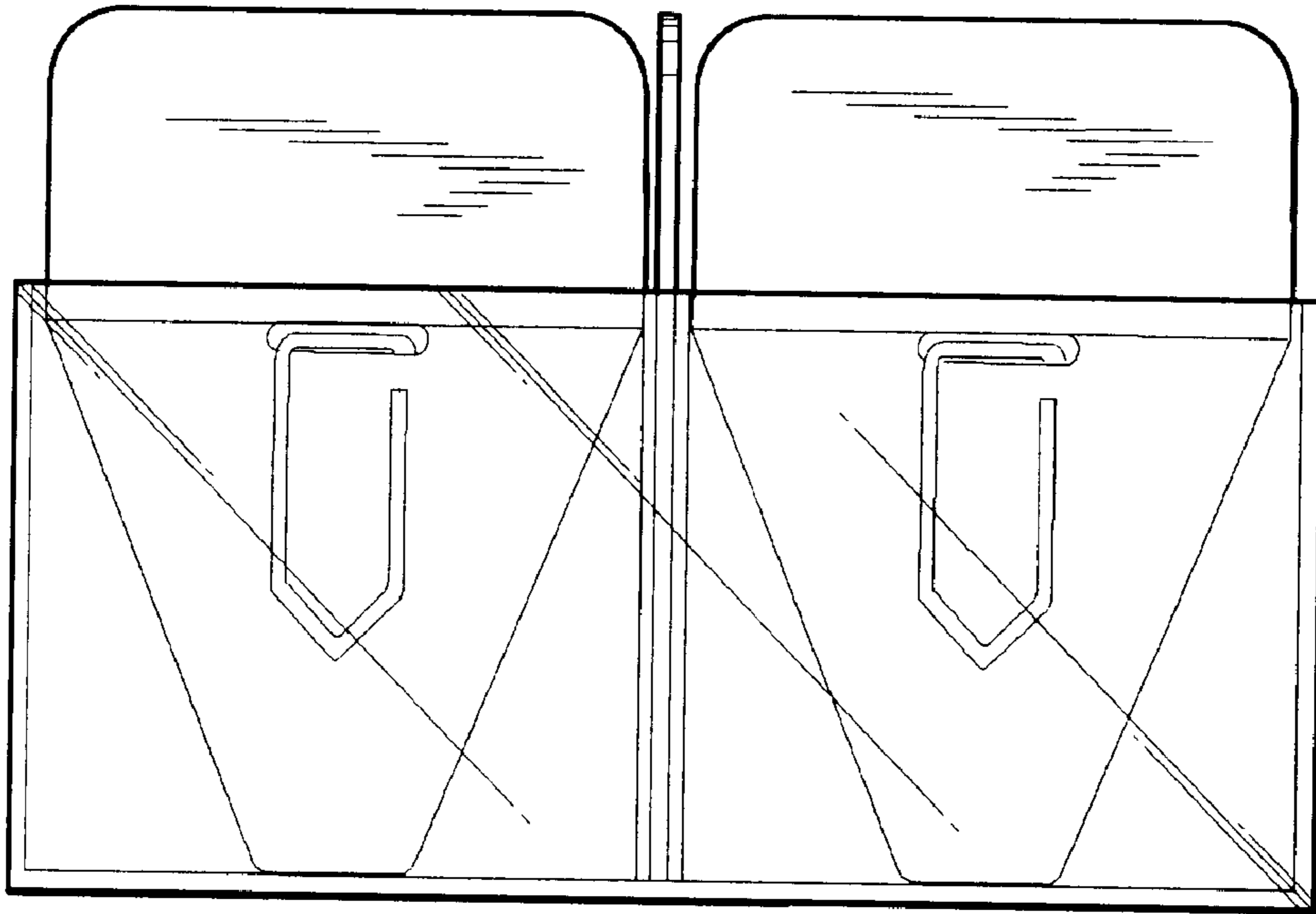
**FIG. 14**



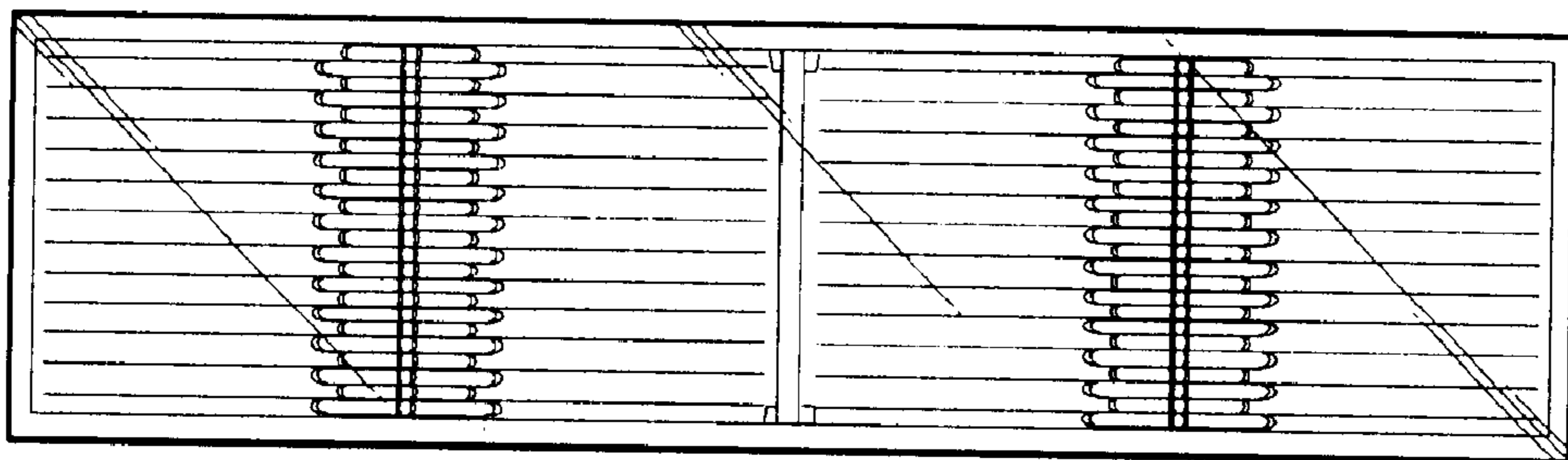
**FIG. 15**



**FIG. 16**

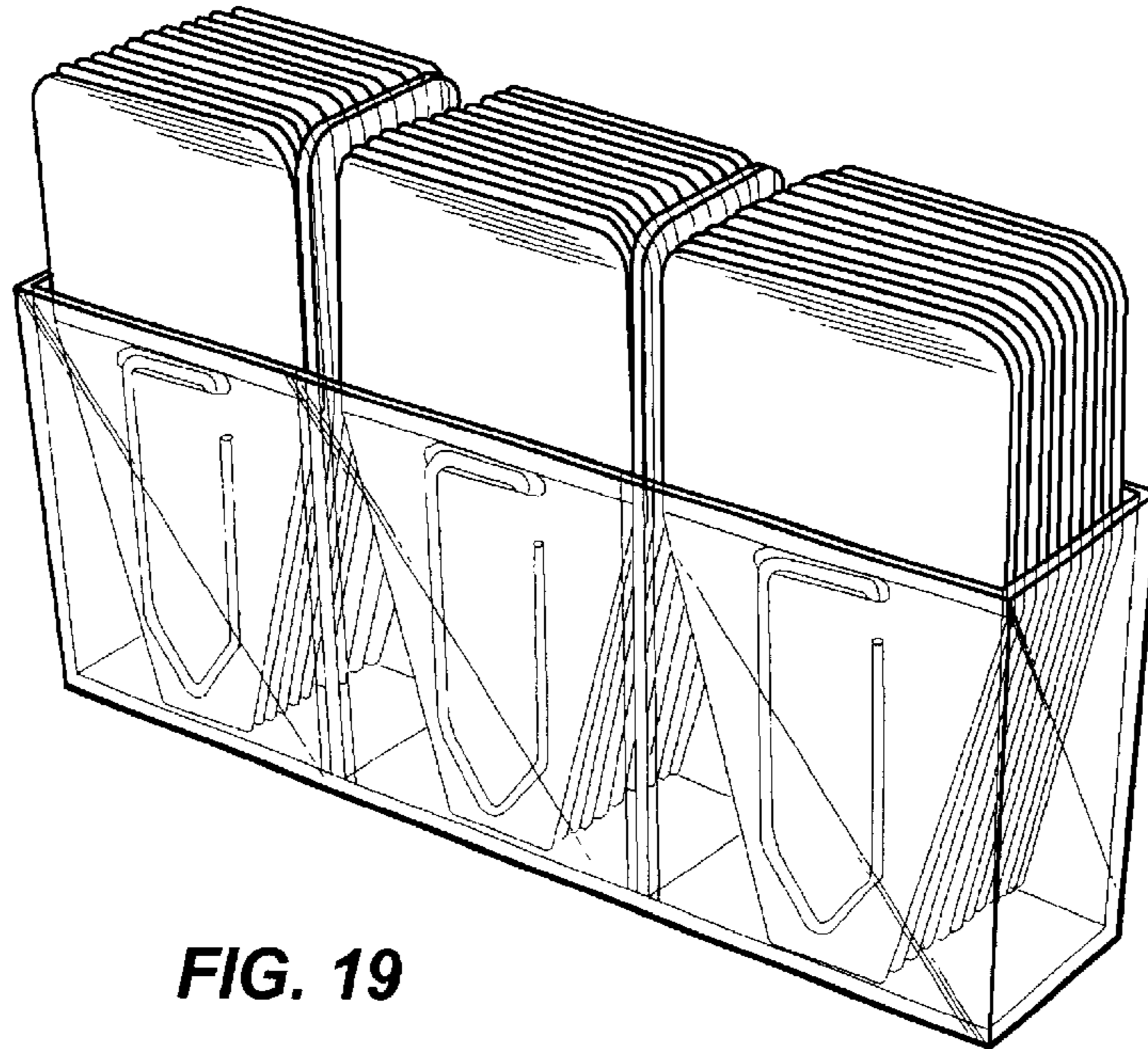


**FIG. 17**

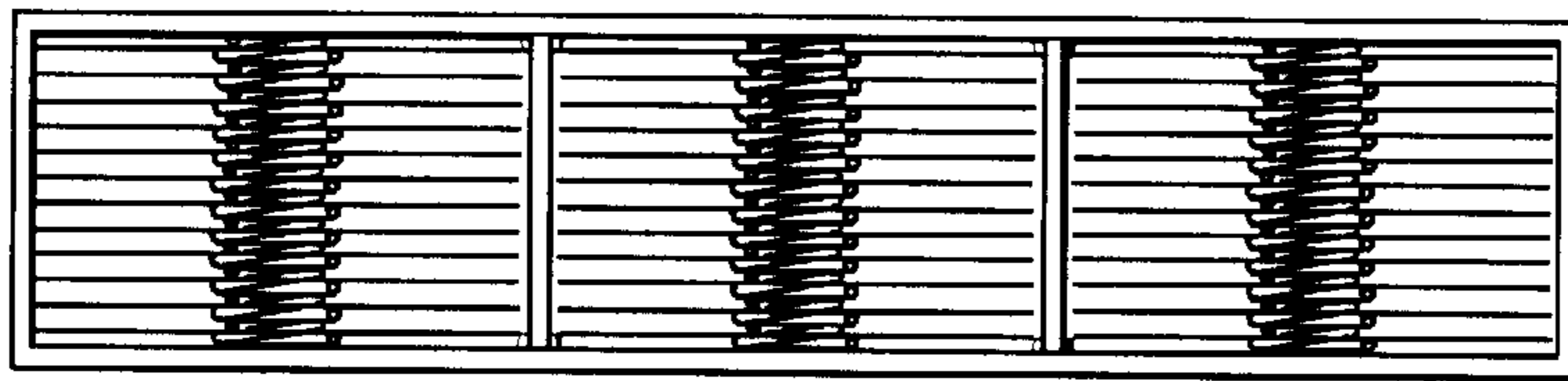


**FIG. 18**

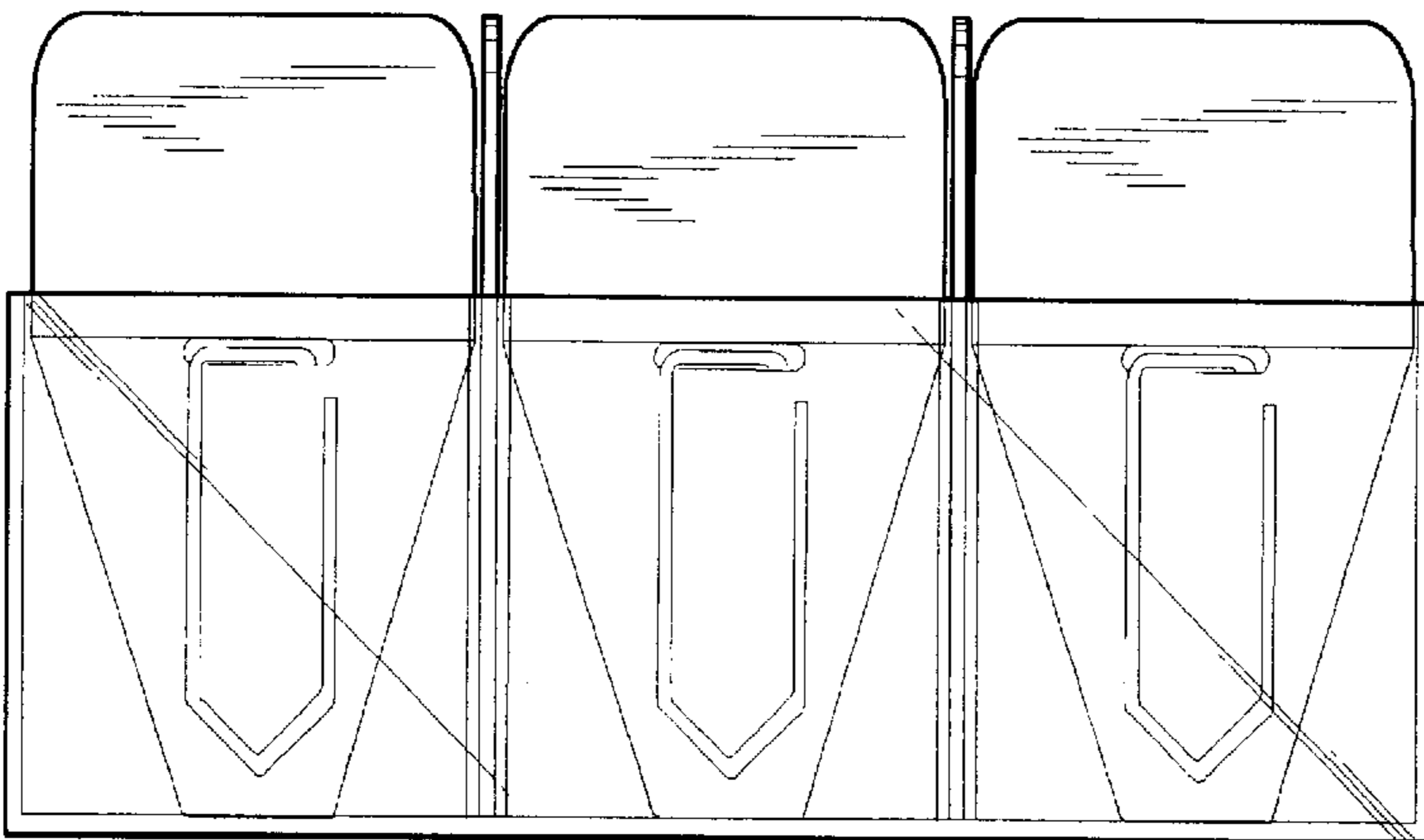




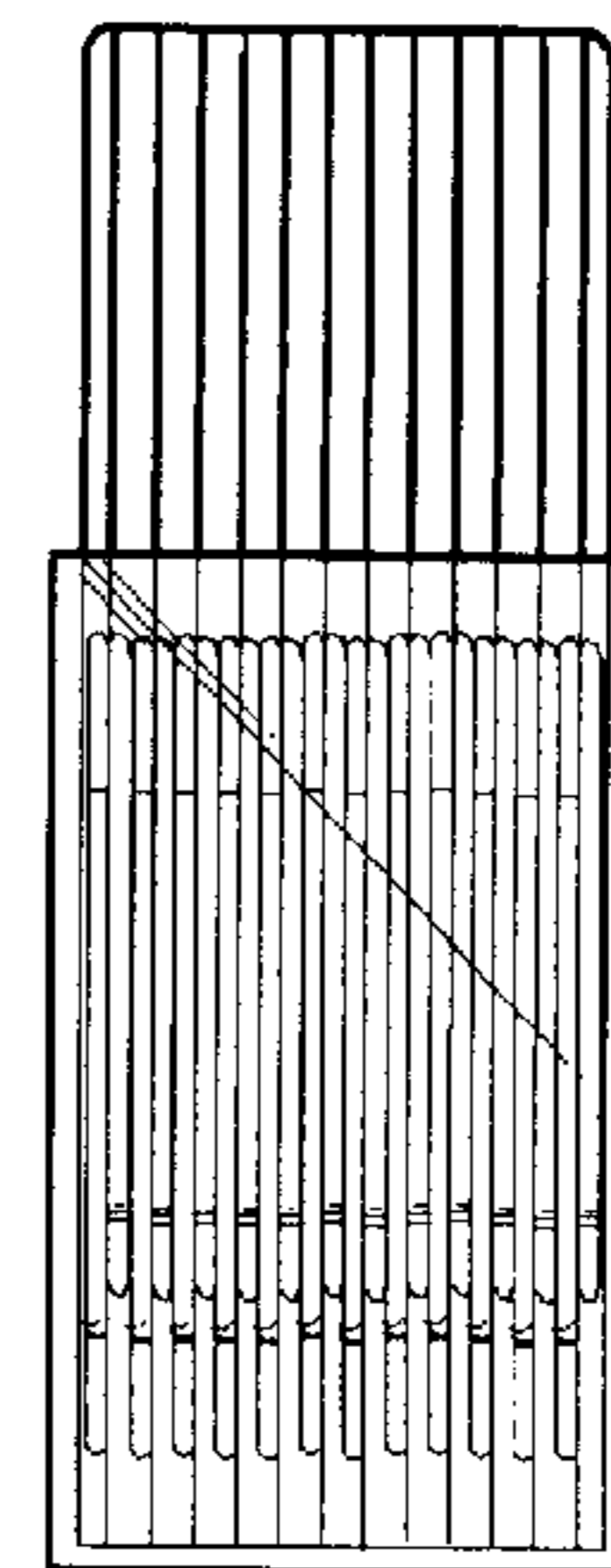
**FIG. 19**



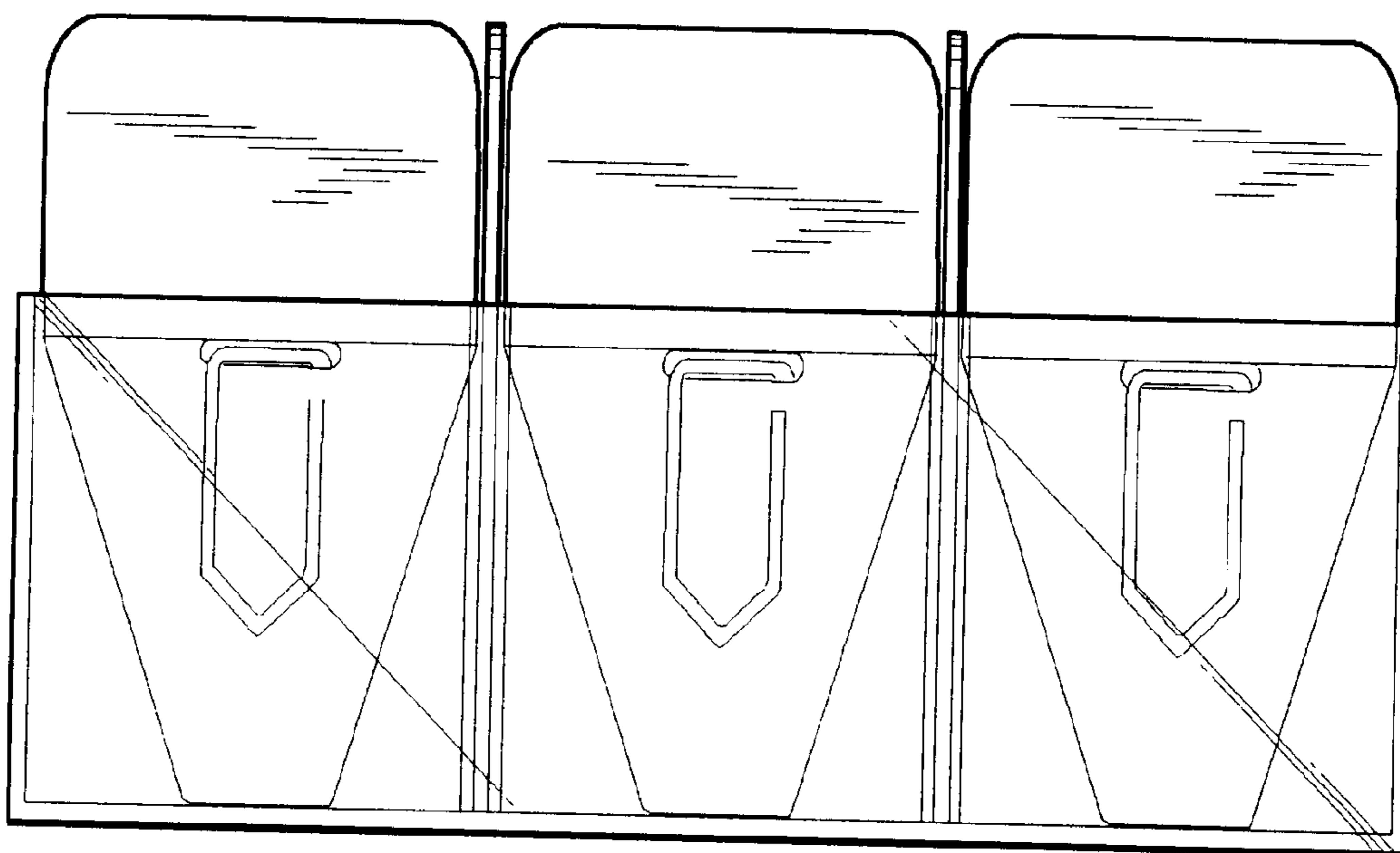
**FIG. 20**



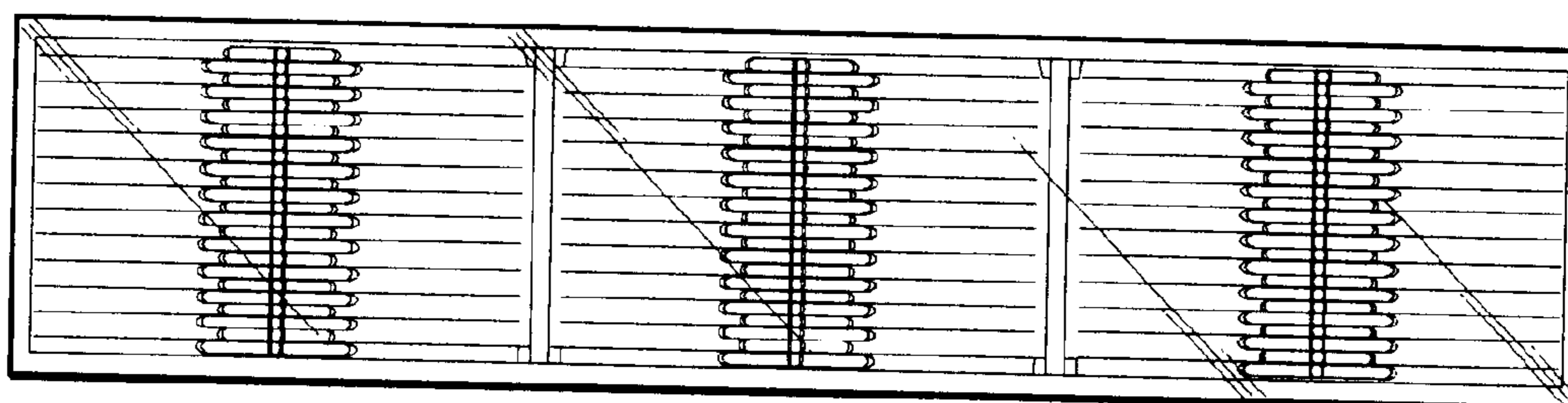
**FIG. 21**



**FIG. 22**



**FIG. 23**



**FIG. 24**