



US00D540865S

(12) **United States Design Patent**  
**Beno et al.**

(10) **Patent No.: US D540,865 S**

(45) **Date of Patent: \*\* Apr. 17, 2007**

(54) **MARKER**

(75) Inventors: **Steven Beno**, Gurnee, IL (US); **Mikael Bäckström**, Chicago, IL (US)

(73) Assignee: **General Binding Corporation**, Northbrook, IL (US)

(\*\*) Term: **14 Years**

(21) Appl. No.: **29/236,112**

(22) Filed: **Aug. 11, 2005**

(51) **LOC (8) Cl.** ..... **19-06**

(52) **U.S. Cl.** ..... **D19/43**

(58) **Field of Classification Search** ..... D19/36,  
D19/37, 41-51, 54-57; 24/11 R, 11 F, 11 P;  
401/52, 99, 100, 104, 105, 106, 107, 108,  
401/109, 192, 195, 202, 243-247

See application file for complete search history.

(56) **References Cited**

**U.S. PATENT DOCUMENTS**

3,106,742	A	*	10/1963	Schultz et al.	.....	401/202
D205,330	S	*	7/1966	Capezzuto	.....	D19/43
D330,388	S	*	10/1992	Choi	.....	D19/36
D334,406	S	*	3/1993	Celender	.....	D19/43
D343,196	S	*	1/1994	Liguori	.....	D19/57
D371,388	S		7/1996	Ito et al.		
D436,622	S	*	1/2001	Rosenbaum	.....	D19/36
6,247,865	B1	*	6/2001	Russell et al.	.....	401/202
D449,649	S		10/2001	Takanashi		
D471,586	S		3/2003	Geiselhart et al.		
D477,362	S		7/2003	Belton et al.		

(Continued)

**OTHER PUBLICATIONS**

Quartet® Dry-Erase Marker—6 photographs (Jun. 2003).  
Boone® Pro Dry Erase Marker—6 photographs (Mar. 2004).

*Primary Examiner*—Elizabeth A. Albert

(74) *Attorney, Agent, or Firm*—Michael Best & Friedrich LLP

(57) **CLAIM**

The ornamental design for a marker, as shown and described.

**DESCRIPTION**

FIG. 1 is a perspective view taken from the top, front, and left side of a first embodiment of a marker showing our new design;

FIG. 2 is a perspective view taken from the bottom, front, and right side of the marker shown in FIG. 1;

FIG. 3 is a front elevational view of the marker shown in FIG. 1;

FIG. 4 is a rear elevational view of the marker shown in FIG. 1;

FIG. 5 is a left elevational side view of the marker shown in FIG. 1;

FIG. 6 is a right elevational side view of the marker shown in FIG. 1;

FIG. 7 is an enlarged top plan view of the marker shown in FIG. 1;

FIG. 8 is an enlarged bottom plan view of the marker shown in FIG. 1;

FIG. 9 is a perspective view taken from the top, front, and left side of another embodiment of a marker showing our new design;

FIG. 10 is a perspective view taken from the bottom, front, and right side of the marker shown in FIG. 9;

FIG. 11 is a front elevational view of the marker shown in FIG. 9;

FIG. 12 is a rear elevational view of the marker shown in FIG. 9;

FIG. 13 is a left elevational side view of the marker shown in FIG. 9;

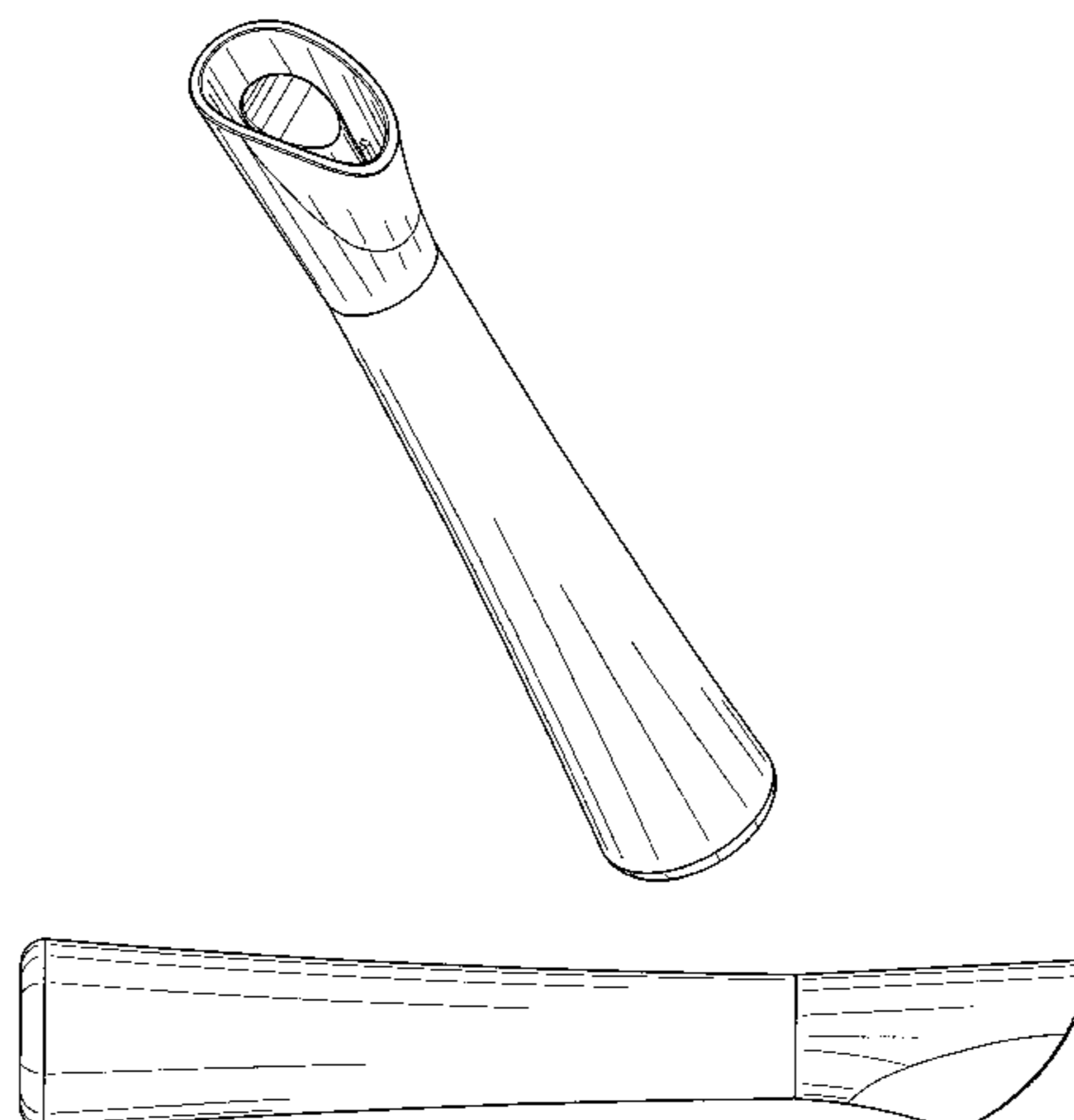
FIG. 14 is a right elevational side view of the marker shown in FIG. 9;

FIG. 15 is an enlarged top plan view of the marker shown in FIG. 9; and,

FIG. 16 is an enlarged bottom plan view of the marker shown in FIG. 9.

The broken lines are for illustration purposes only and form no part of the claimed design.

**1 Claim, 10 Drawing Sheets**



# US D540,865 S

Page 2

---

## U.S. PATENT DOCUMENTS

D482,065 S	11/2003	Hung	D502,217 S	2/2005	Hung
D482,727 S	11/2003	Hung	D508,527 S	8/2005	Hung
D493,832 S	8/2004	Hung	D508,948 S	8/2005	Metaxatos et al.
D493,833 S	8/2004	Hung	D509,246 S	9/2005	Hung
D497,641 S	10/2004	Tsuchikura	D510,105 S	9/2005	Cramer et al.
D500,081 S	12/2004	Hung			

\* cited by examiner

FIG. 1

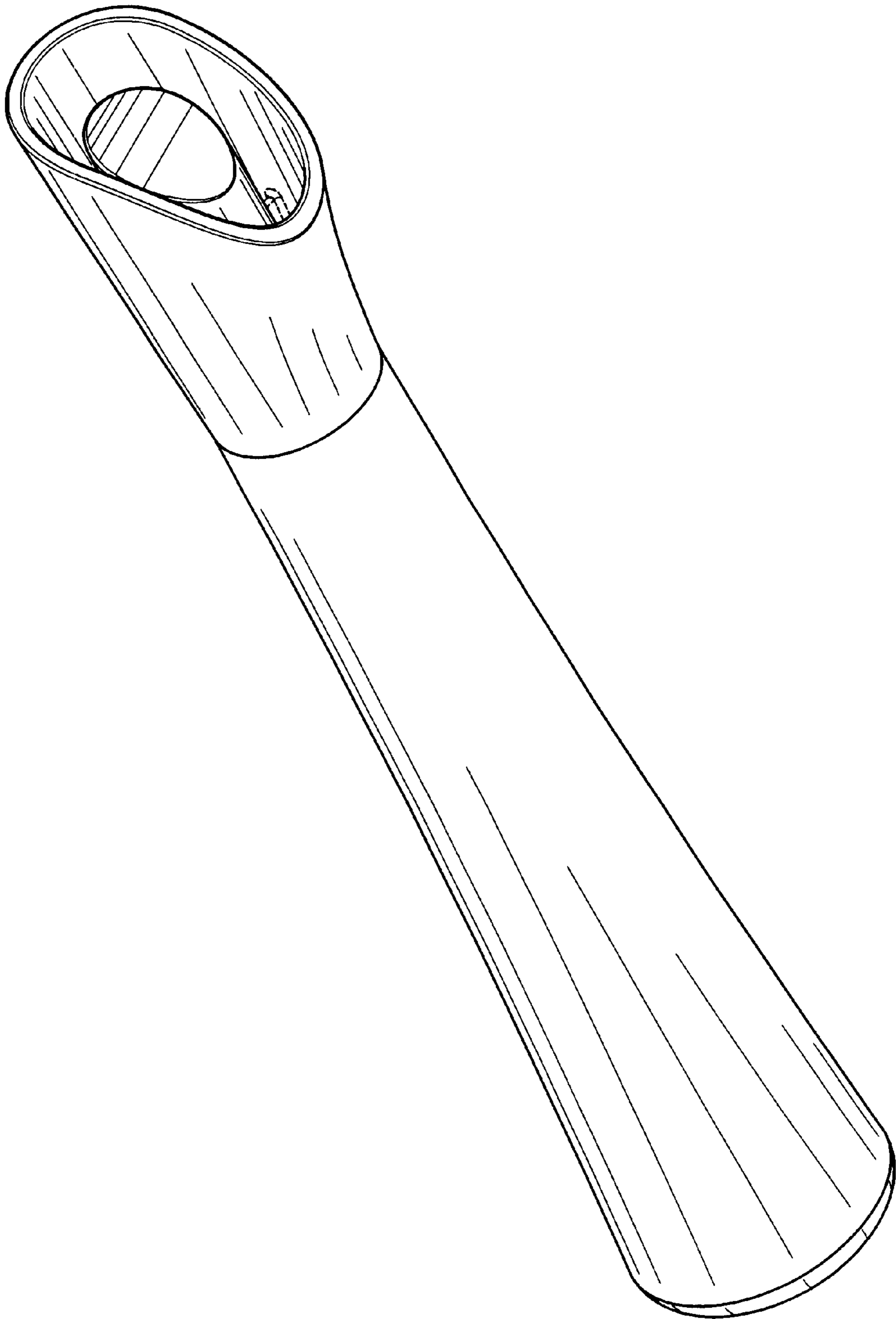


FIG. 2

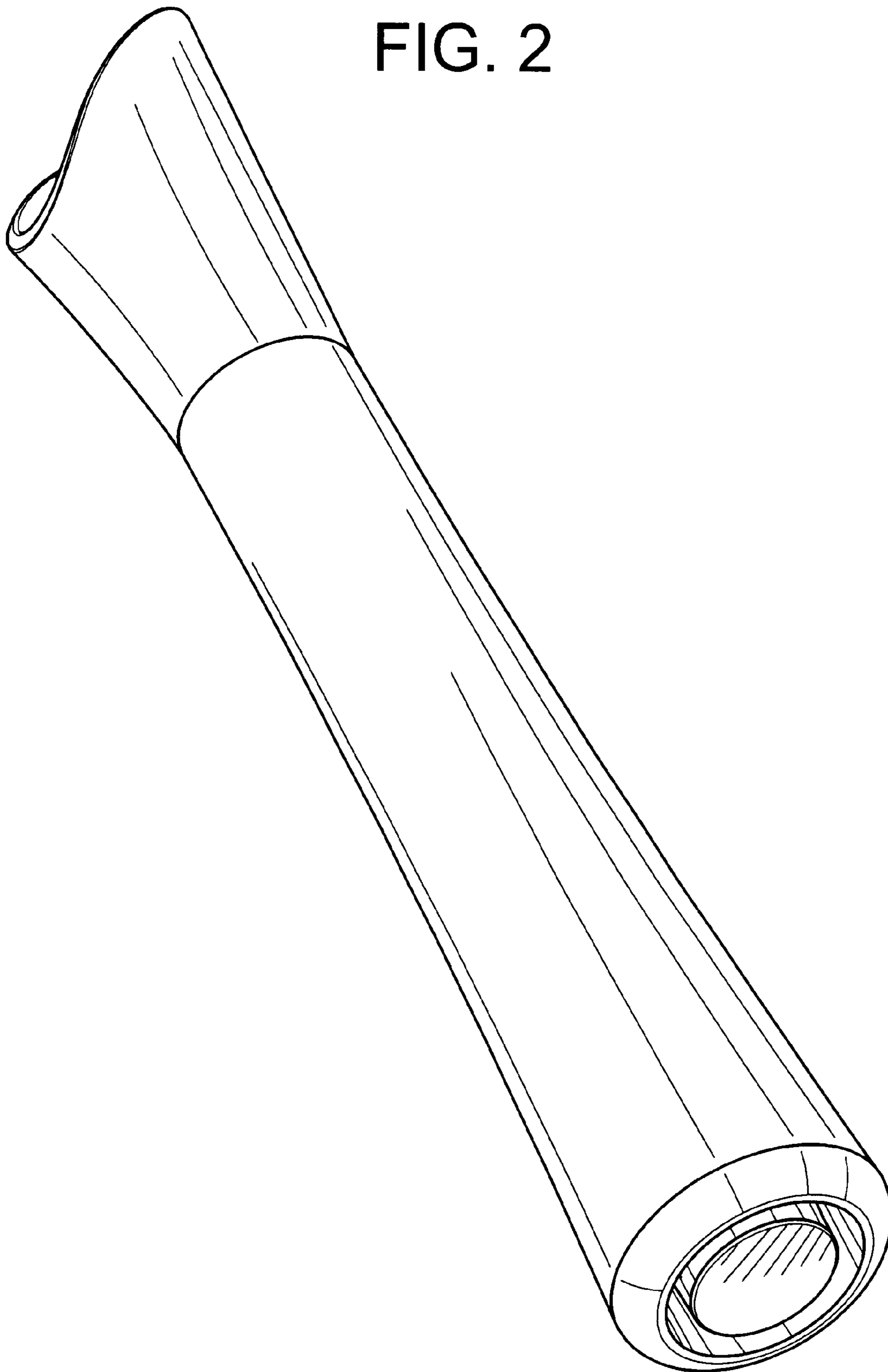


FIG. 3

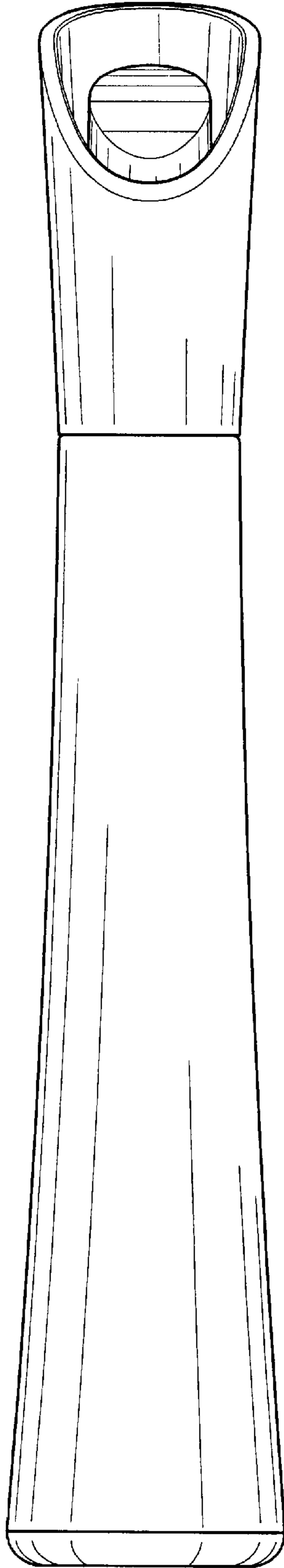


FIG. 4

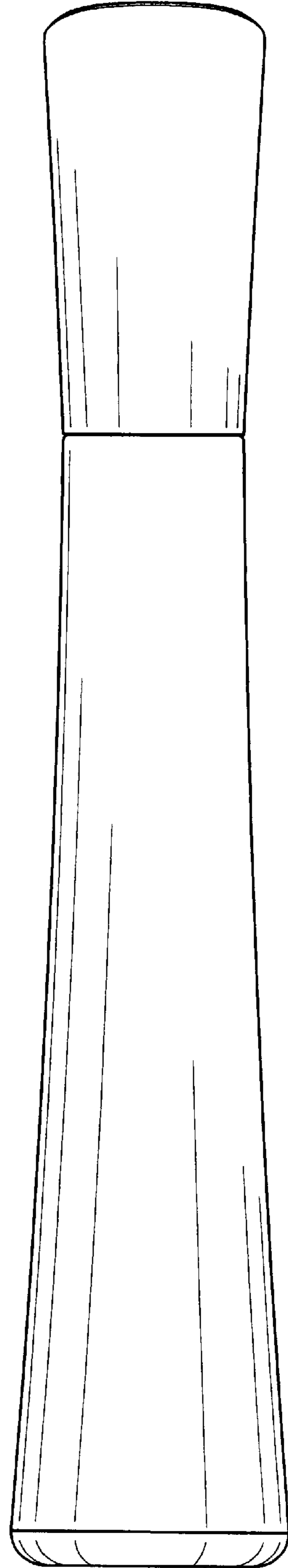


FIG. 5

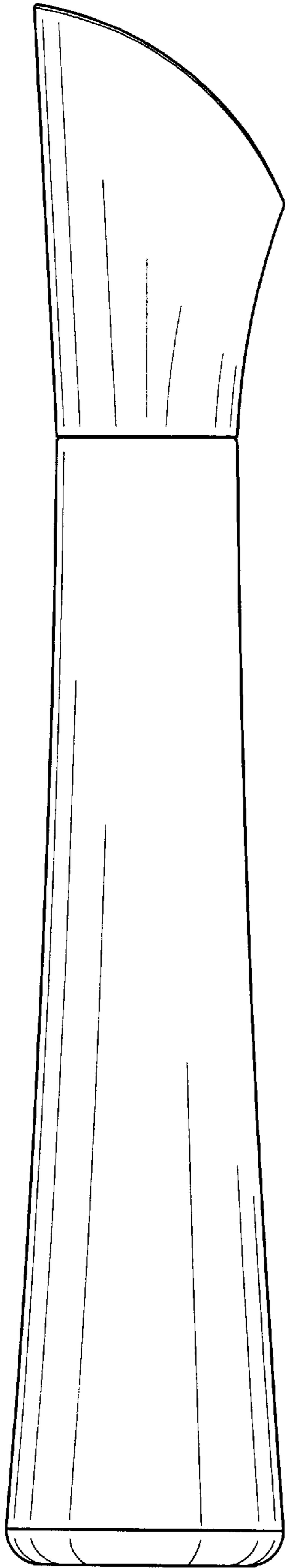


FIG. 6

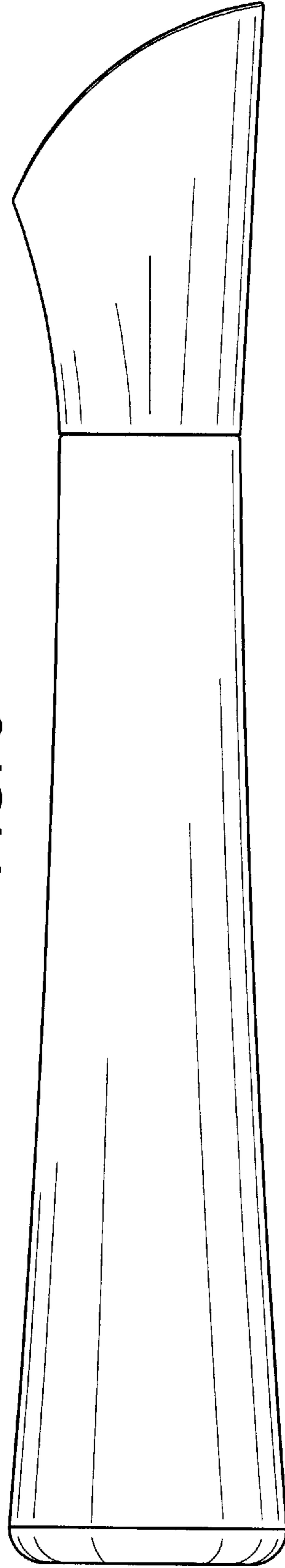


FIG. 8

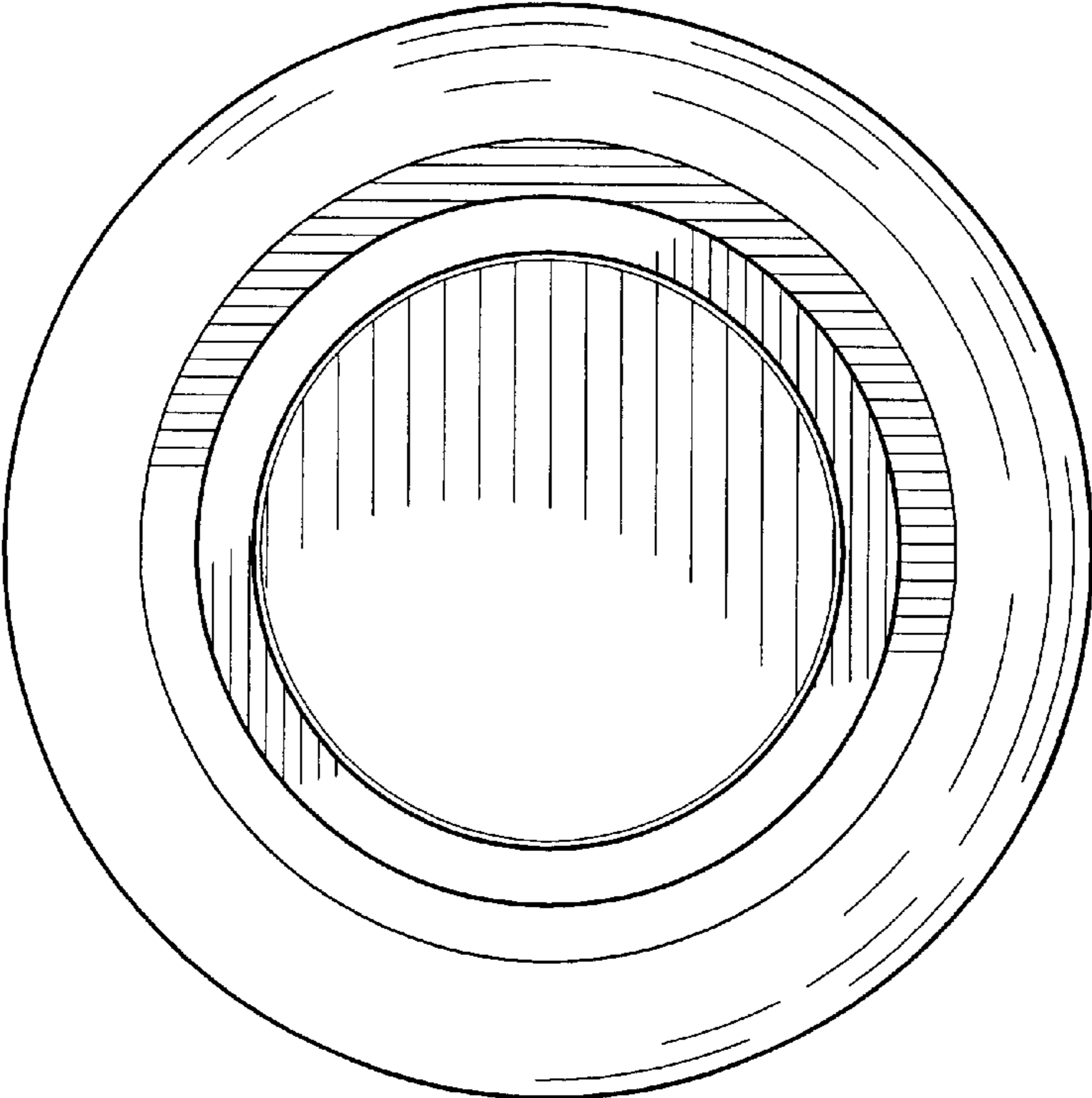


FIG. 7

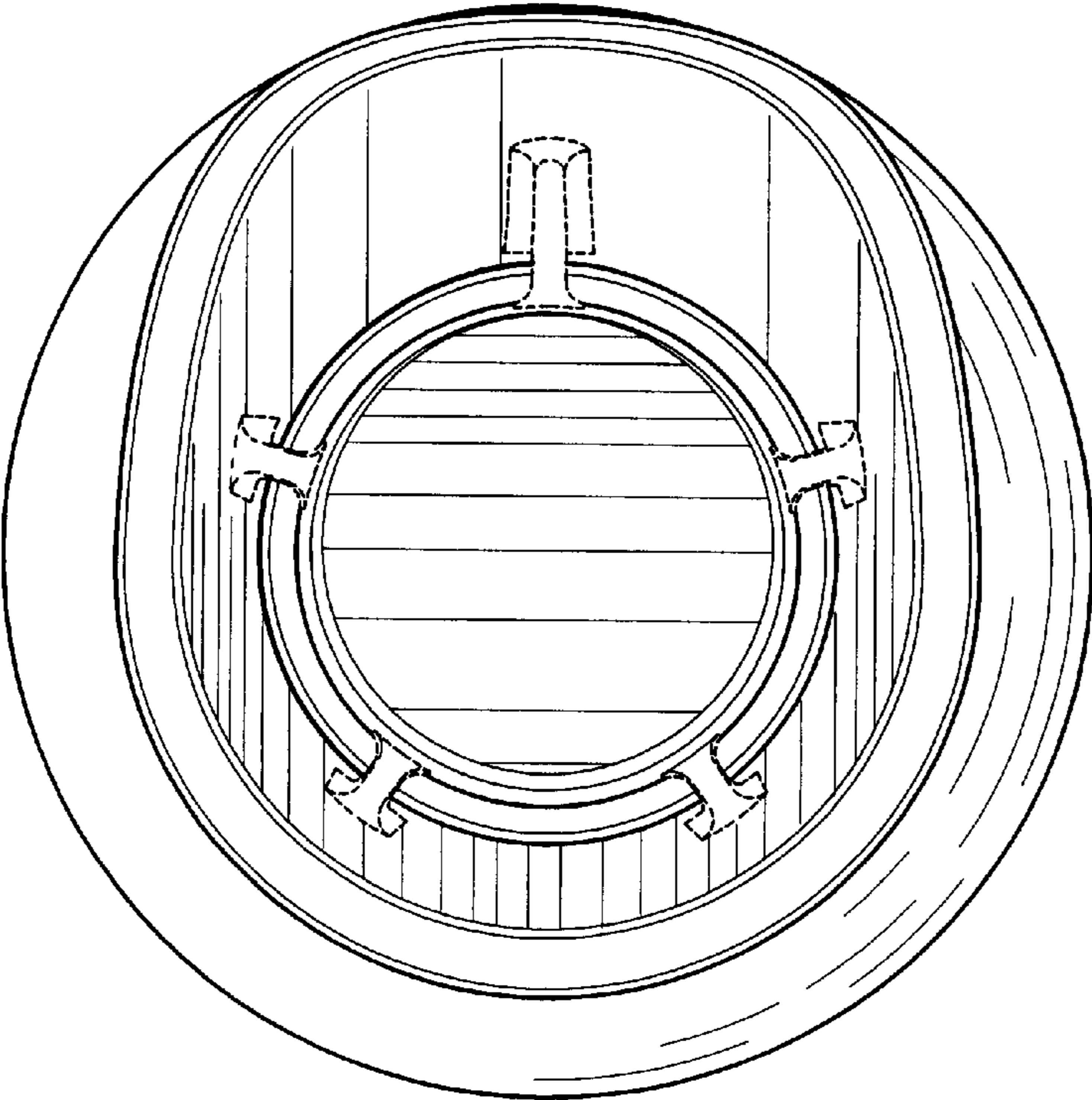


FIG. 9

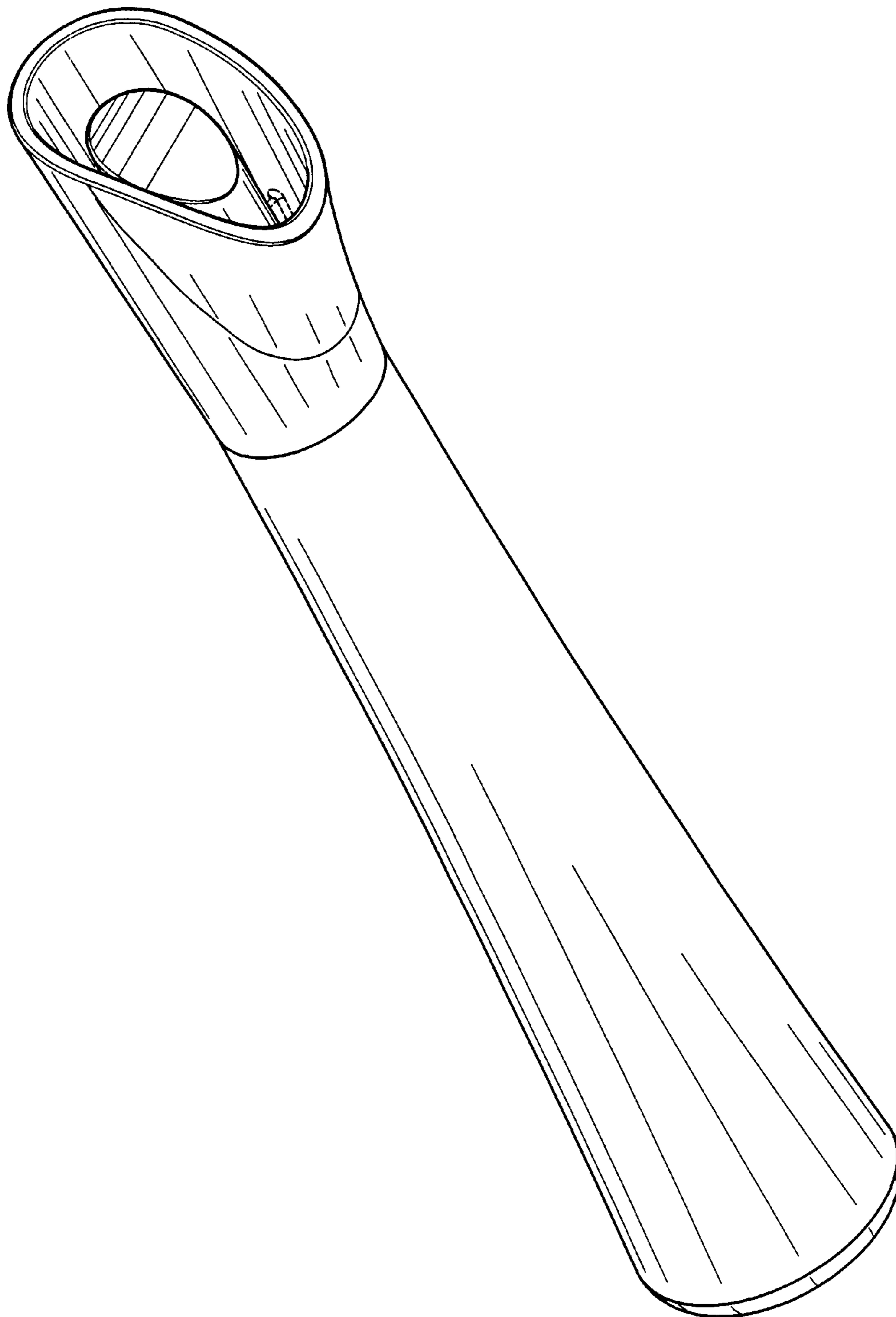




FIG. 10

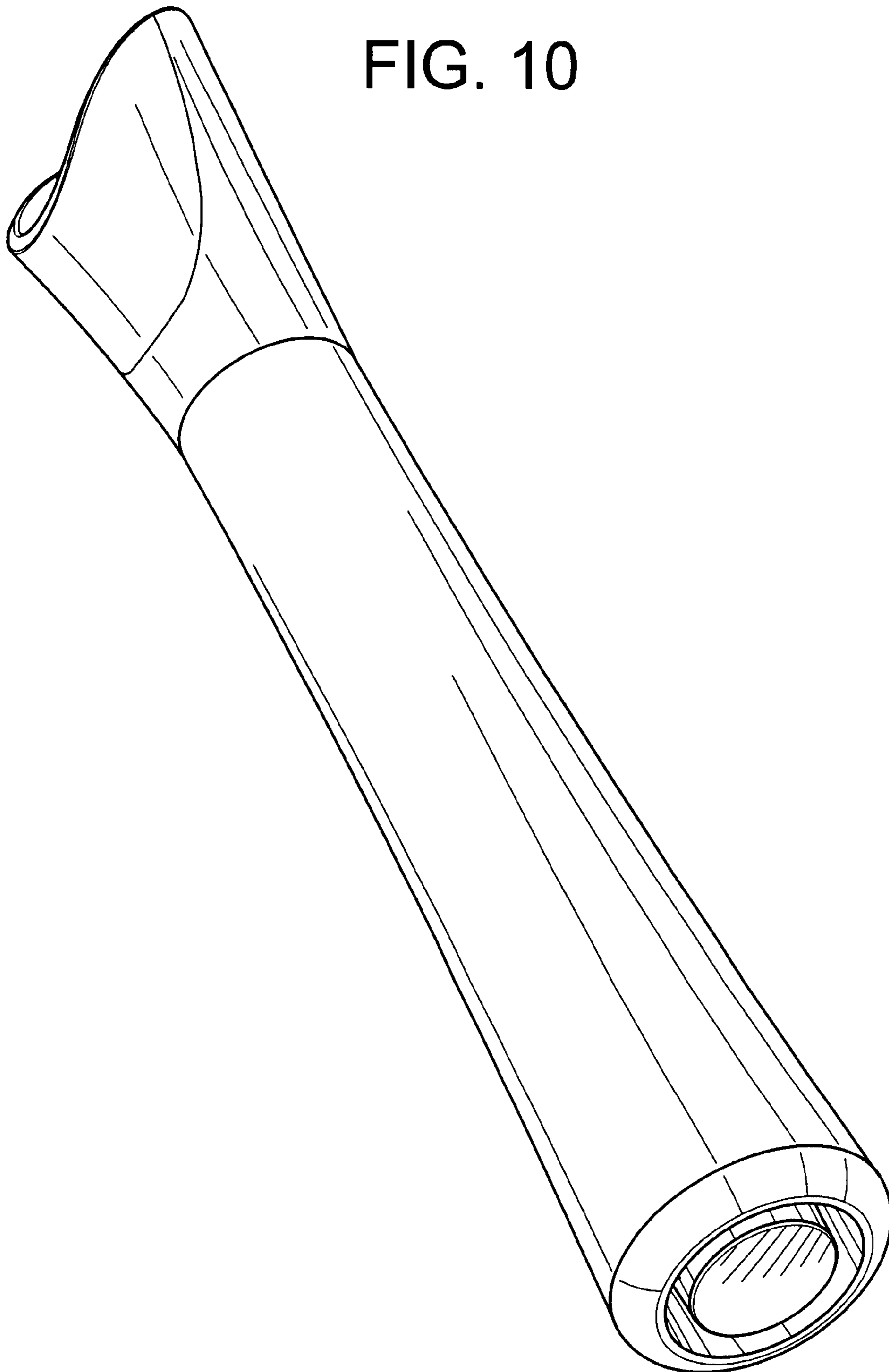


FIG. 11

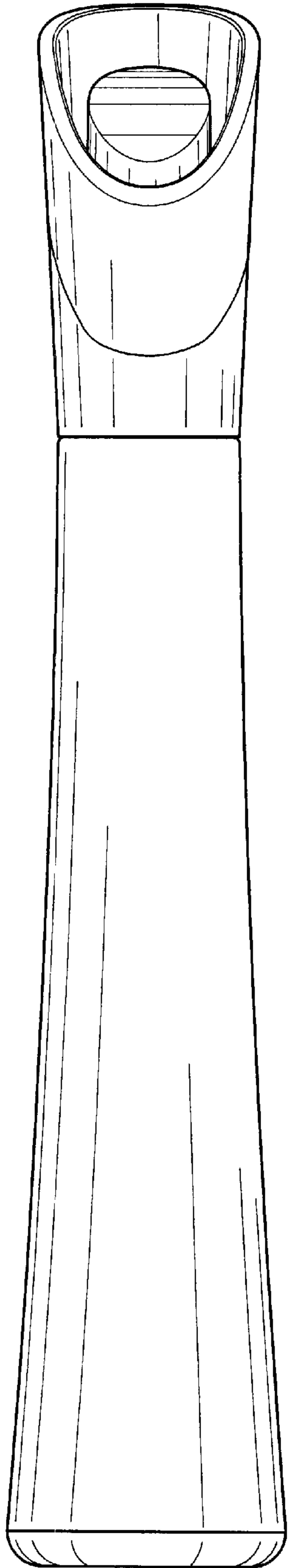


FIG. 12

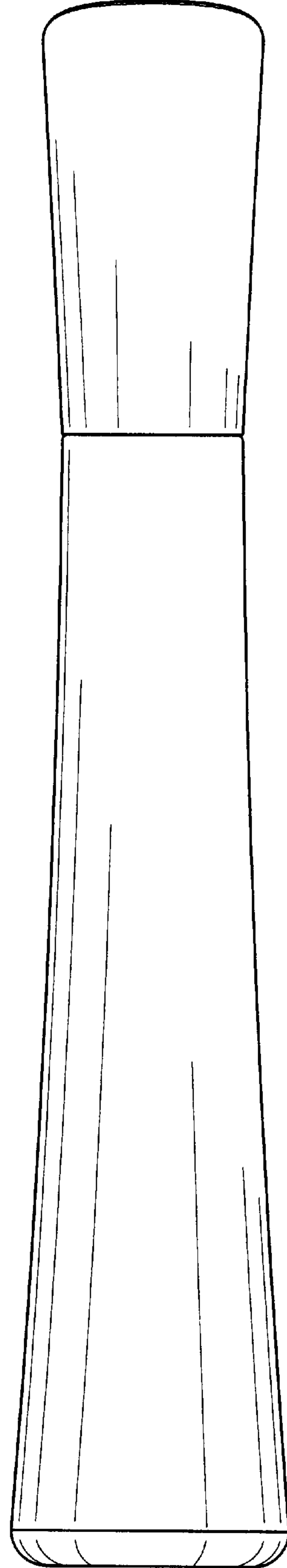


FIG. 13

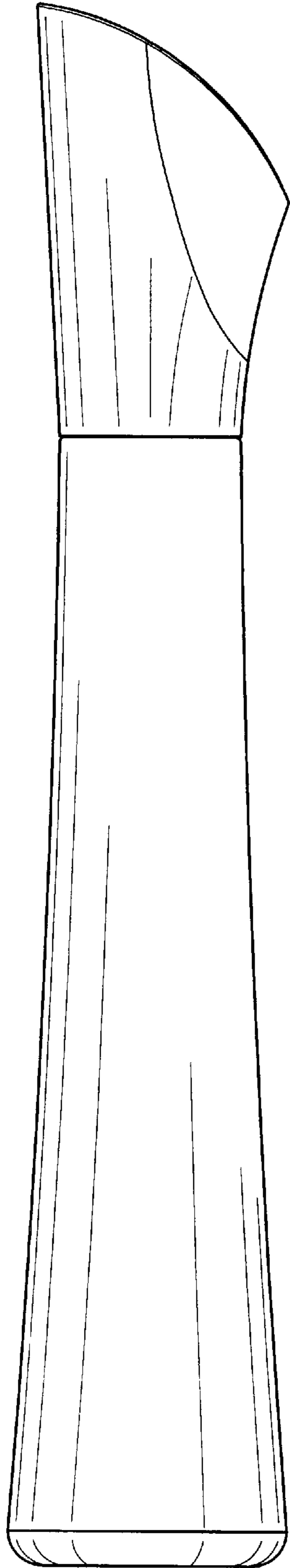


FIG. 14

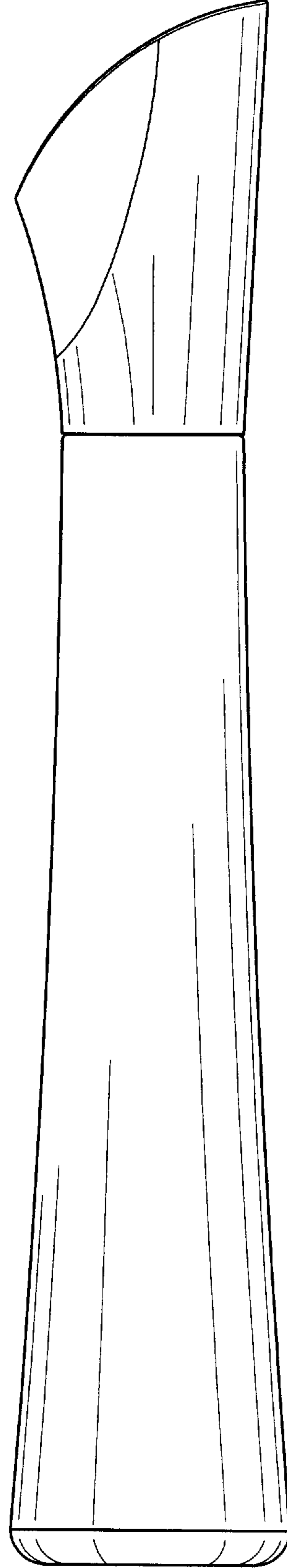


FIG. 16

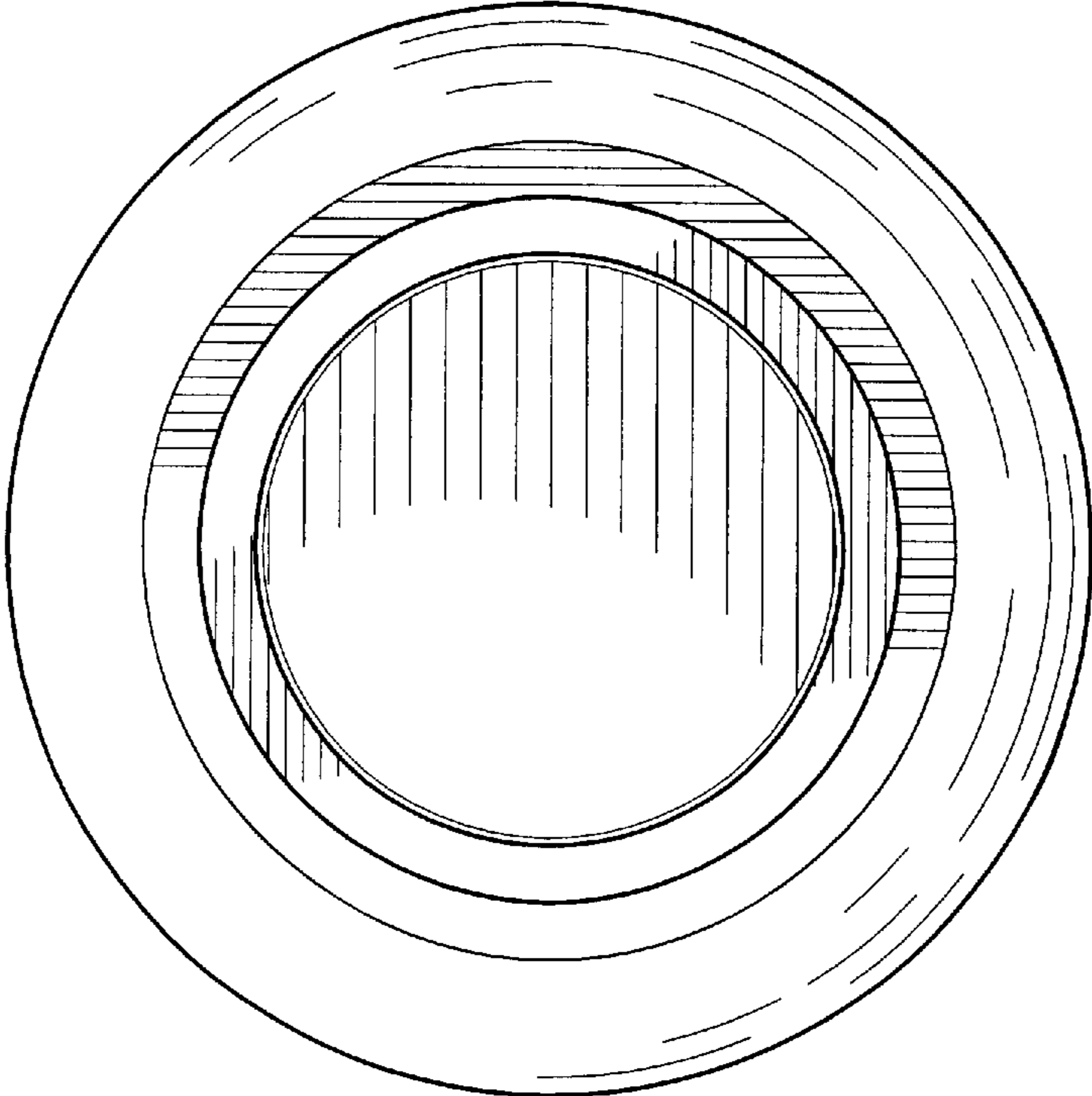


FIG. 15

