



US00D540859S

(12) **United States Design Patent**
Weiler

(10) **Patent No.:** **US D540,859 S**

(45) **Date of Patent:** **** Apr. 17, 2007**

(54) **BOOK SUPPORT**

(76) Inventor: **Raywood C. Weiler**, 14149 Calle
Contesa, Victorville, CA (US) 92392

(**) Term: **14 Years**

(21) Appl. No.: **29/260,378**

(22) Filed: **May 24, 2006**

(51) **LOC (8) Cl.** **06-06**

(52) **U.S. Cl.** **D19/34.1**

(58) **Field of Classification Search** D19/1-34.5;
D20/43; 108/60-1; 248/441.1; 211/42-3,
211/183, 184

See application file for complete search history.

(56) **References Cited**

U.S. PATENT DOCUMENTS

D60,017	S	*	12/1921	Febrey	D6/462
1,750,576	A	*	3/1930	Cubberley	211/11
1,758,307	A	*	5/1930	Bales	108/61
2,872,046	A	*	2/1959	Polay	211/42
3,517,623	A	*	6/1970	Sobel et al.	108/187
4,073,460	A	*	2/1978	Dale	248/441.1
D262,336	S	*	12/1981	Barnstone	D19/34.1
4,327,838	A	*	5/1982	Cooke	211/184
4,575,037	A	*	3/1986	Hammar	248/441.1
D308,394	S	*	6/1990	Smith	D19/34.1
D331,599	S	*	12/1992	Lushington et al.	D19/32

5,183,163	A	*	2/1993	Slaiken	211/43
5,555,990	A	*	9/1996	Bechstein	211/59.3
6,334,539	B1	*	1/2002	Jajko et al.	211/42
6,439,534	B1	*	8/2002	Hensel	248/447.1
D492,864	S	*	7/2004	Mizusawa	D6/512
2002/0125201	A1	*	9/2002	Lamming	211/43

* cited by examiner

Primary Examiner—Louis S. Zarfes

Assistant Examiner—Susan E. Krakower

(74) *Attorney, Agent, or Firm*—Marshall, Gerstein & Borun
LLP

(57) **CLAIM**

The ornamental design for a book support, as shown and described.

DESCRIPTION

FIG. 1 is a perspective view showing my new design for a book support;

FIG. 2 is a side view of the book support of FIG. 1, the opposite side view being a mirror image thereof;

FIG. 3 is a front view of the book support of FIG. 1;

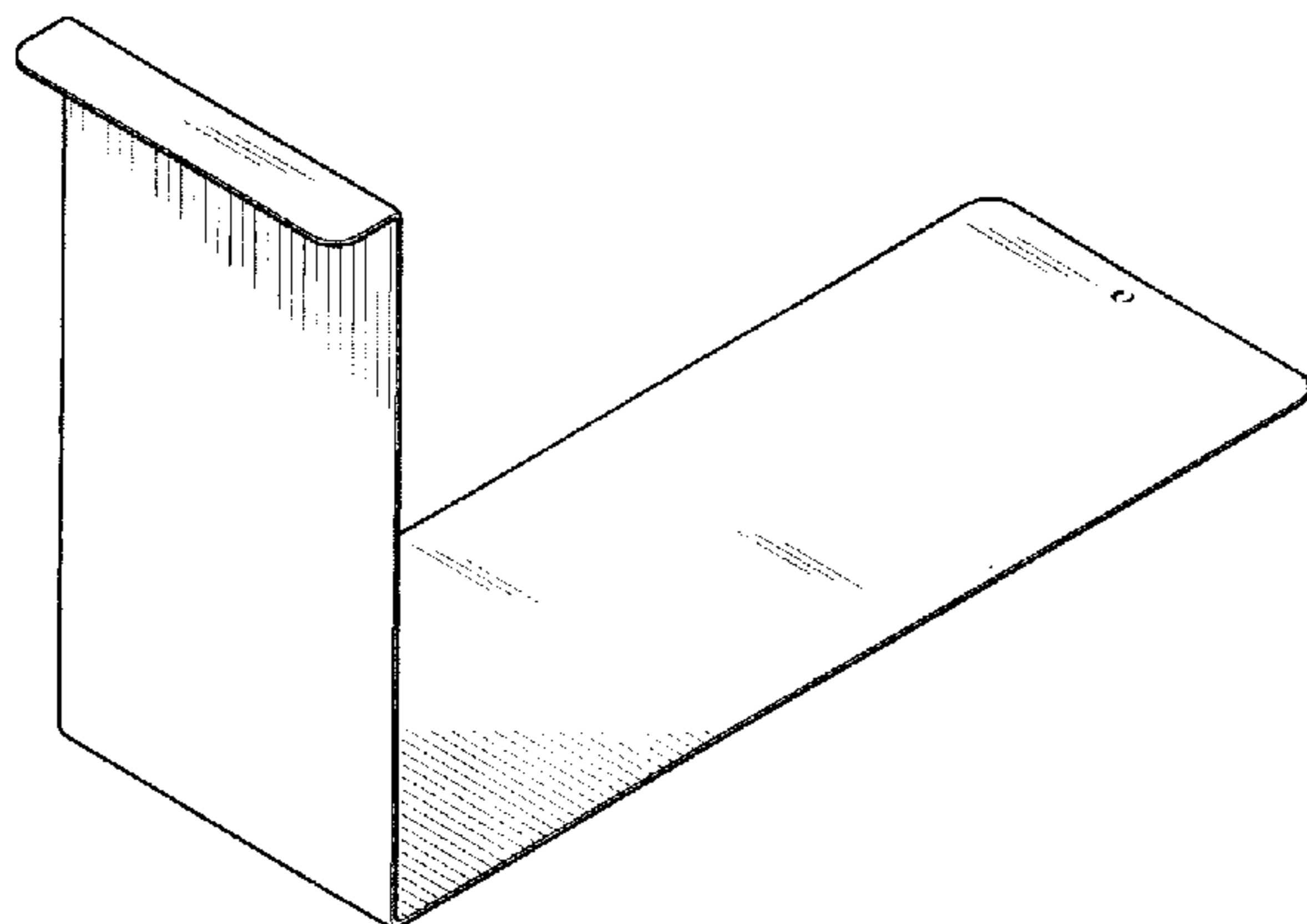
FIG. 4 is a rear view of the book support of FIG. 1;

FIG. 5 is a top plan view of the book support of FIG. 1; and,

FIG. 6 is a bottom plan view of the book support of FIG. 1.

The dashed lines are for illustrative purposes only and form no part of the claimed design.

1 Claim, 3 Drawing Sheets



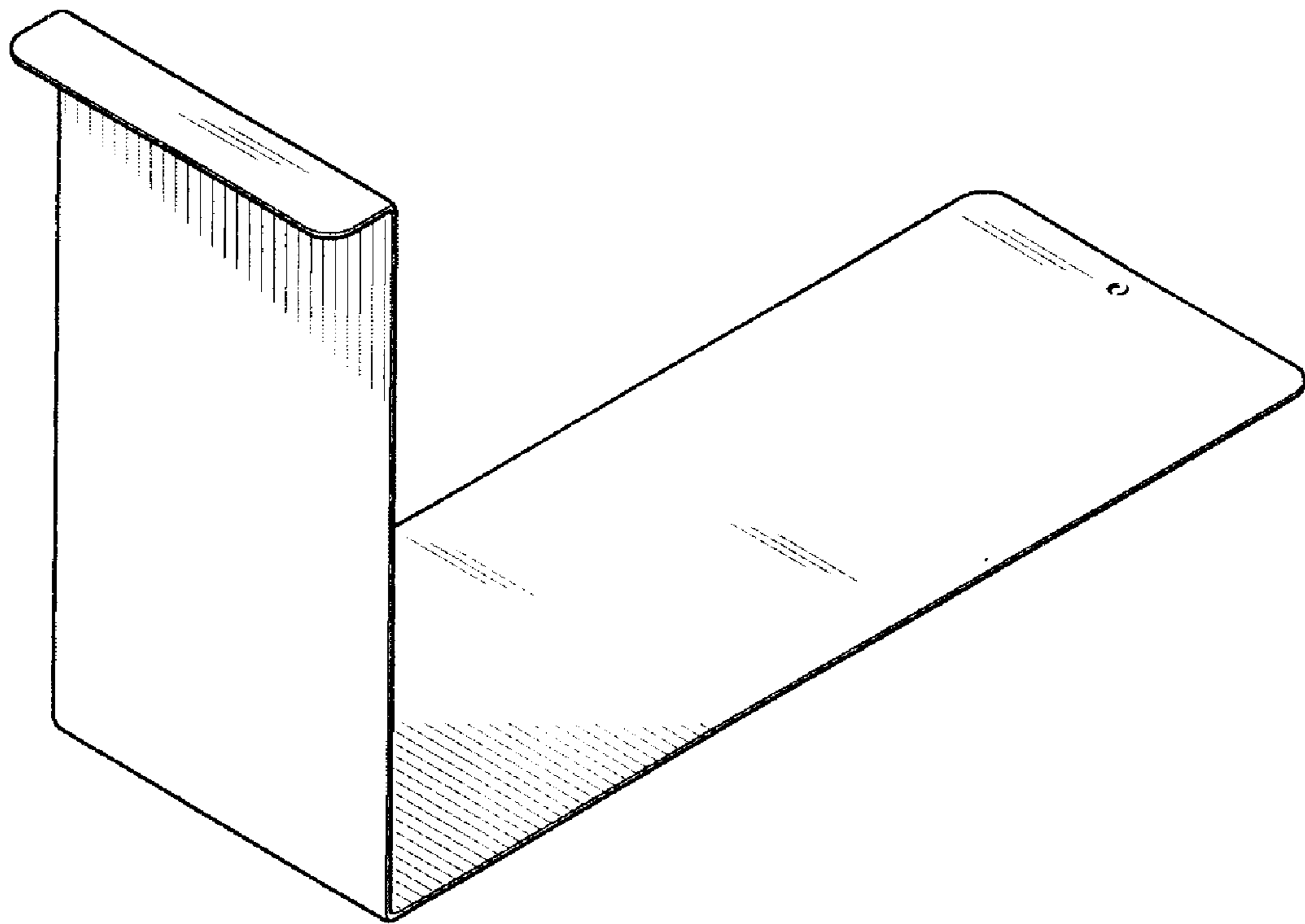


FIG. 1



FIG. 2

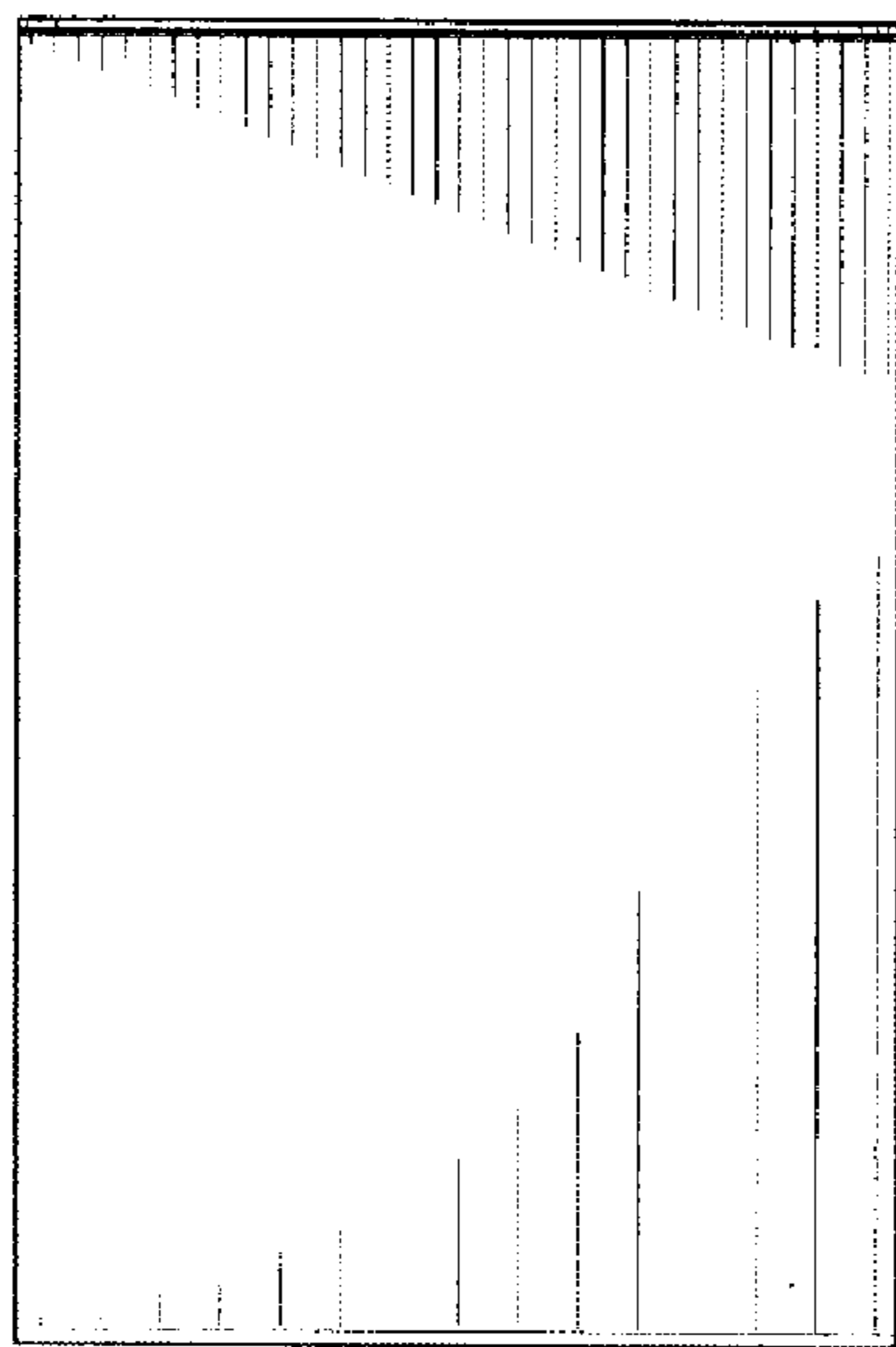


FIG. 3

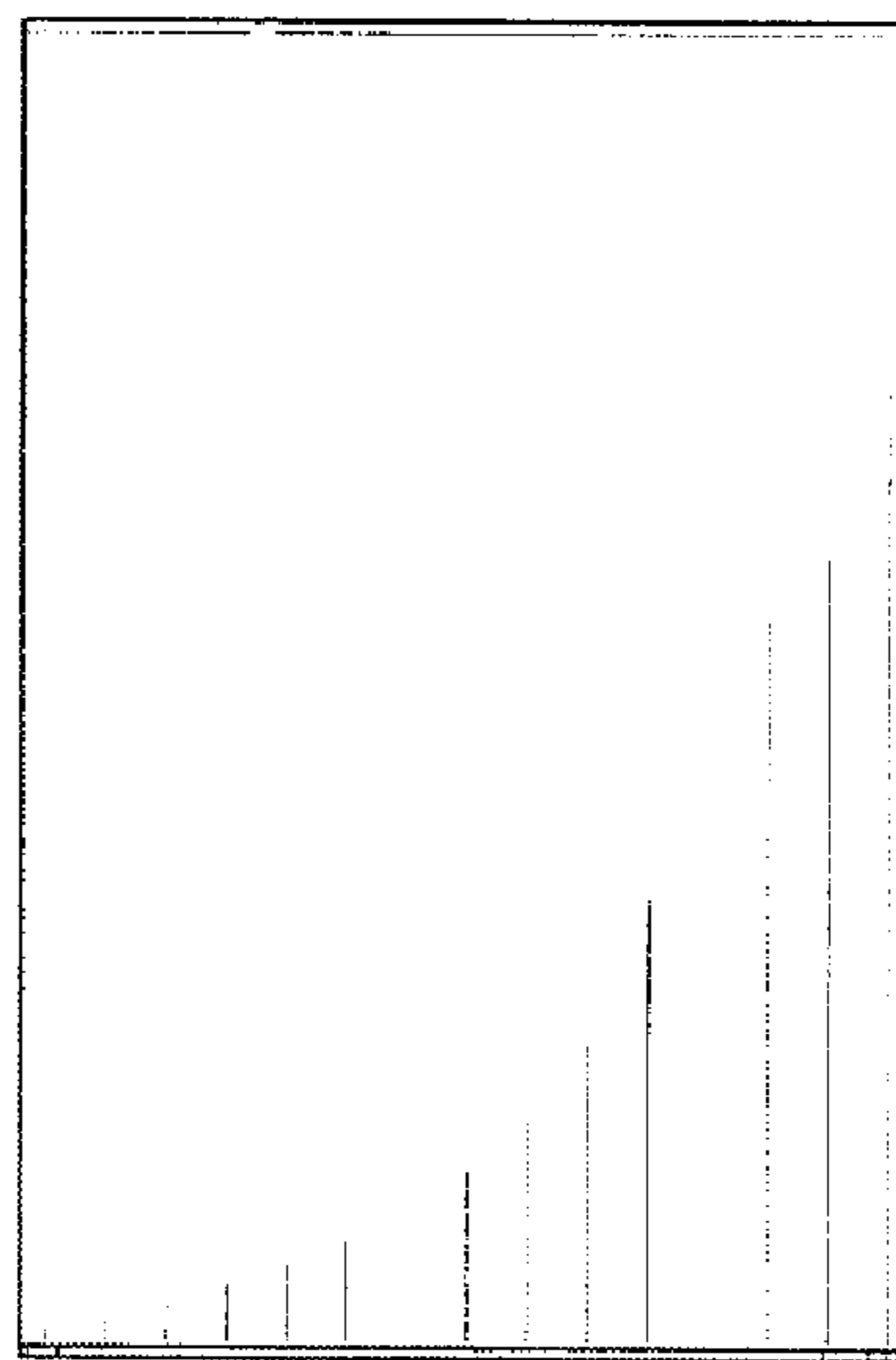


FIG. 4

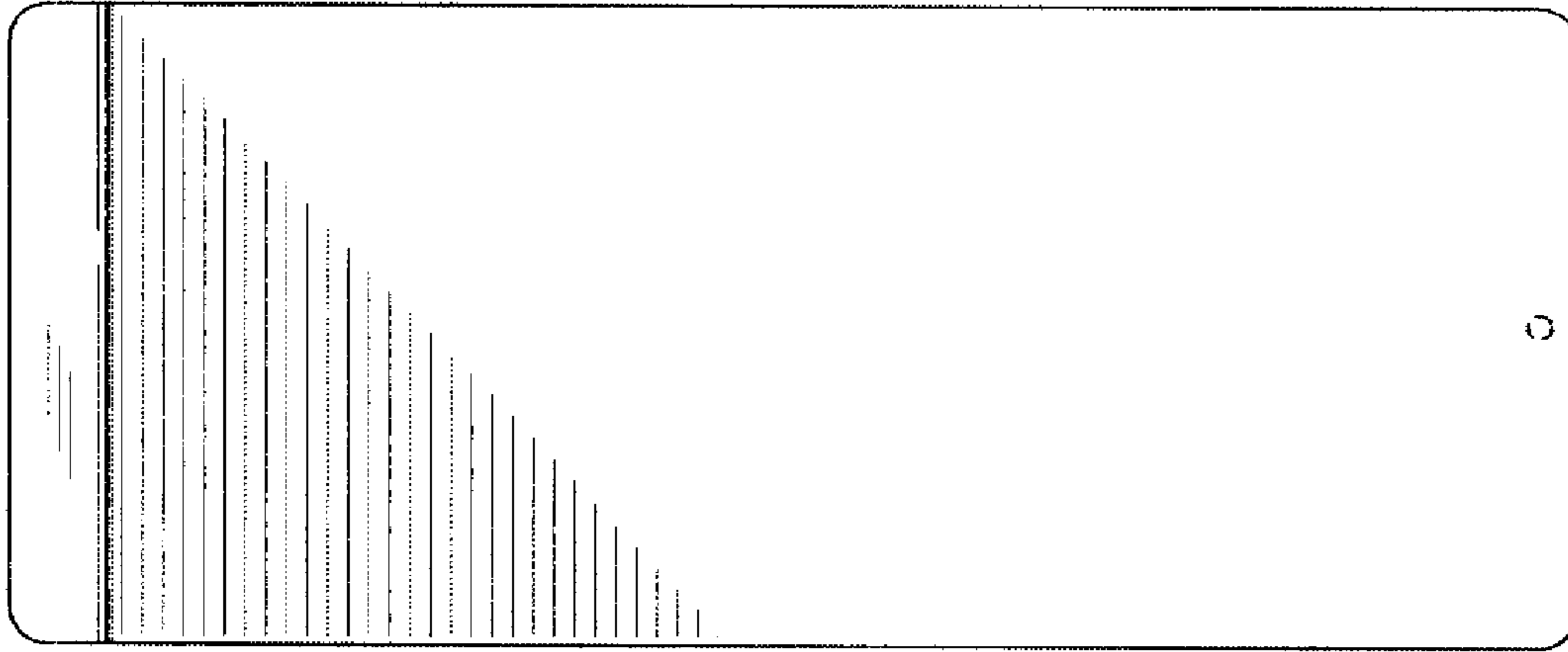


FIG. 5

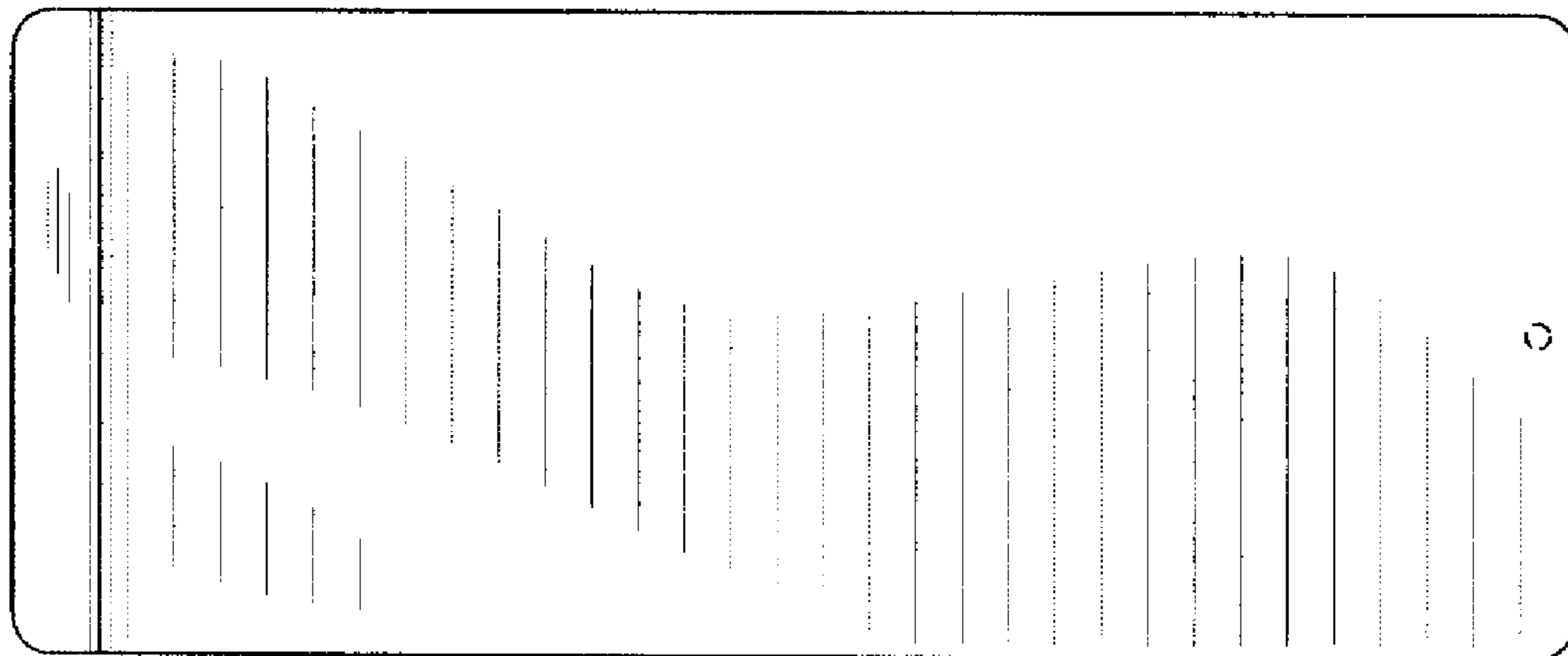


FIG. 6