

US00D540856S

(12) **United States Design Patent**
Hattori

(10) **Patent No.:** **US D540,856 S**

(45) **Date of Patent:** **** Apr. 17, 2007**

(54) **INK CARTRIDGE**

(75) Inventor: **Shingo Hattori**, Tsushima (JP)

(73) Assignee: **Brother Industries, Ltd.**, Nagoya (JP)

(**) Term: **14 Years**

(21) Appl. No.: **29/263,335**

(22) Filed: **Jul. 21, 2006**

(30) **Foreign Application Priority Data**

Feb. 28, 2006 (JP) 2006-004995

(51) **LOC (8) Cl.** **18-02**

(52) **U.S. Cl.** **D18/56; 346/86**

(58) **Field of Classification Search** D18/12,
D18/40, 43, 56; D14/481; 347/20, 29, 33,
347/49-50, 86-87

See application file for complete search history.

(56) **References Cited**

U.S. PATENT DOCUMENTS

4,700,202 A * 10/1987 Kuranishi et al. 347/86
4,959,667 A * 9/1990 Kaplinsky 347/87
5,153,612 A * 10/1992 Dunn et al. 347/87
5,427,743 A * 6/1995 Markin 422/104

D361,591 S * 8/1995 Tokuda et al. D18/56
D387,087 S * 12/1997 Sasaki D18/56
D419,593 S * 1/2000 Shimizu et al. D18/56
D424,612 S * 5/2000 Inoue et al. D18/56
D425,110 S * 5/2000 Dietl et al. D18/56
D438,560 S * 3/2001 Inoue et al. D18/56
D464,672 S * 10/2002 Shinano et al. D18/56
2006/0203053 A1 * 9/2006 Katsumura 347/86

* cited by examiner

Primary Examiner—Cathy Anne MacCormac

(74) *Attorney, Agent, or Firm*—Oliff & Berridge, PLC

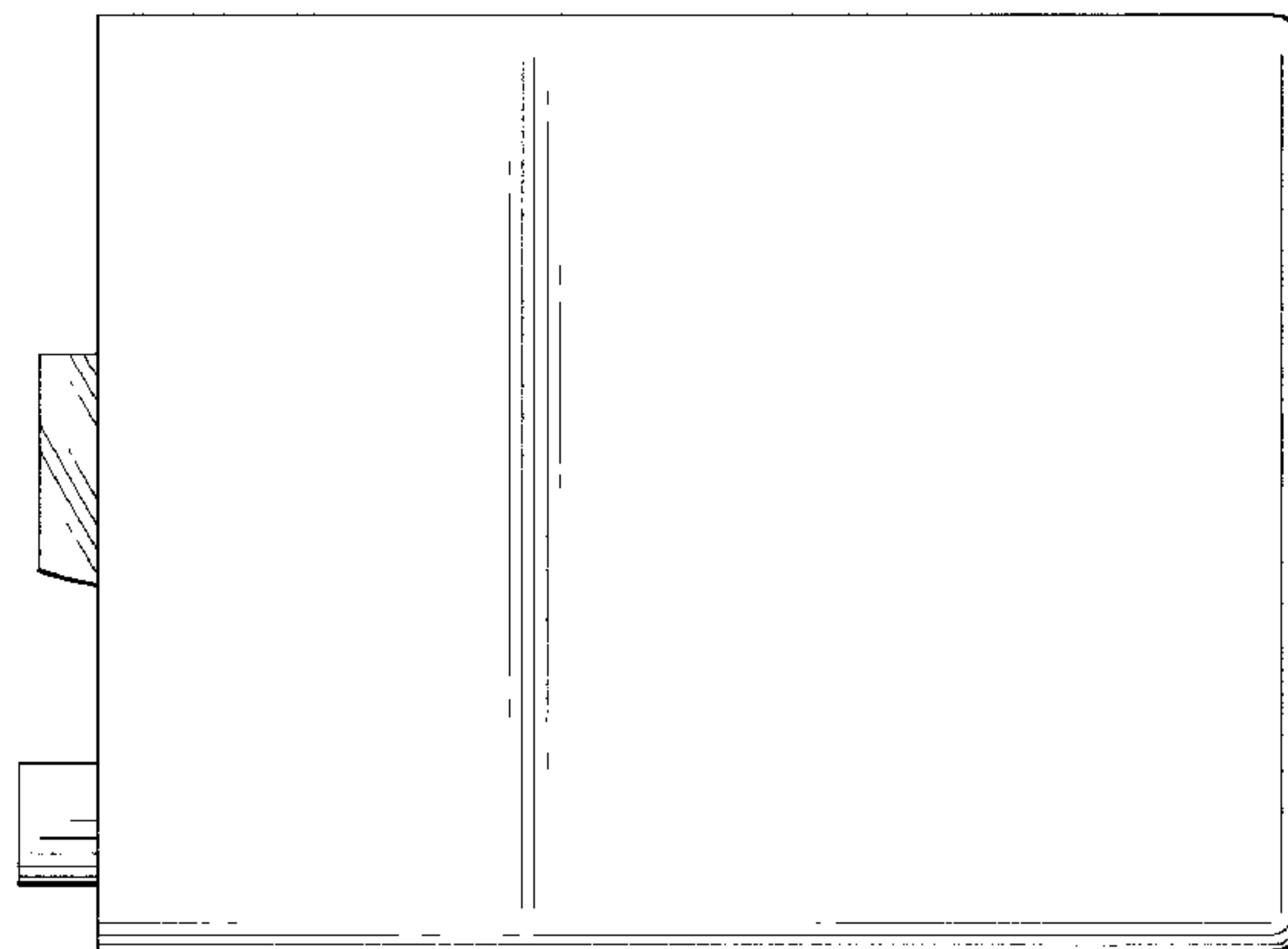
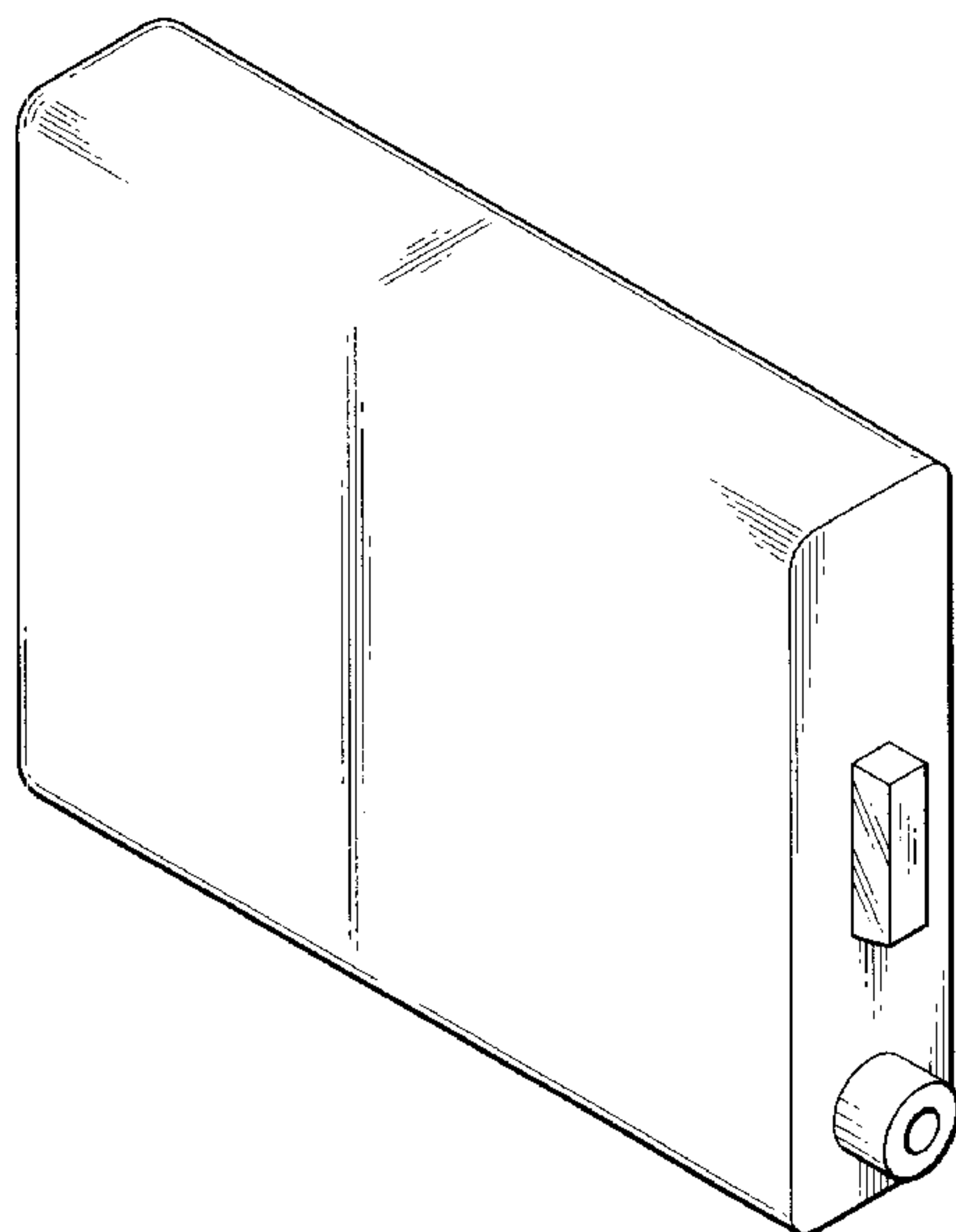
(57) **CLAIM**

The ornamental design for an ink cartridge, as shown and described.

DESCRIPTION

FIG. 1 is a perspective view of an ink cartridge;
FIG. 2 is a front view thereof;
FIG. 3 is a top view thereof;
FIG. 4 is a right-side view thereof;
FIG. 5 is a left-side view thereof;
FIG. 6 is a rear view thereof; and,
FIG. 7 is a bottom view thereof.

1 Claim, 3 Drawing Sheets



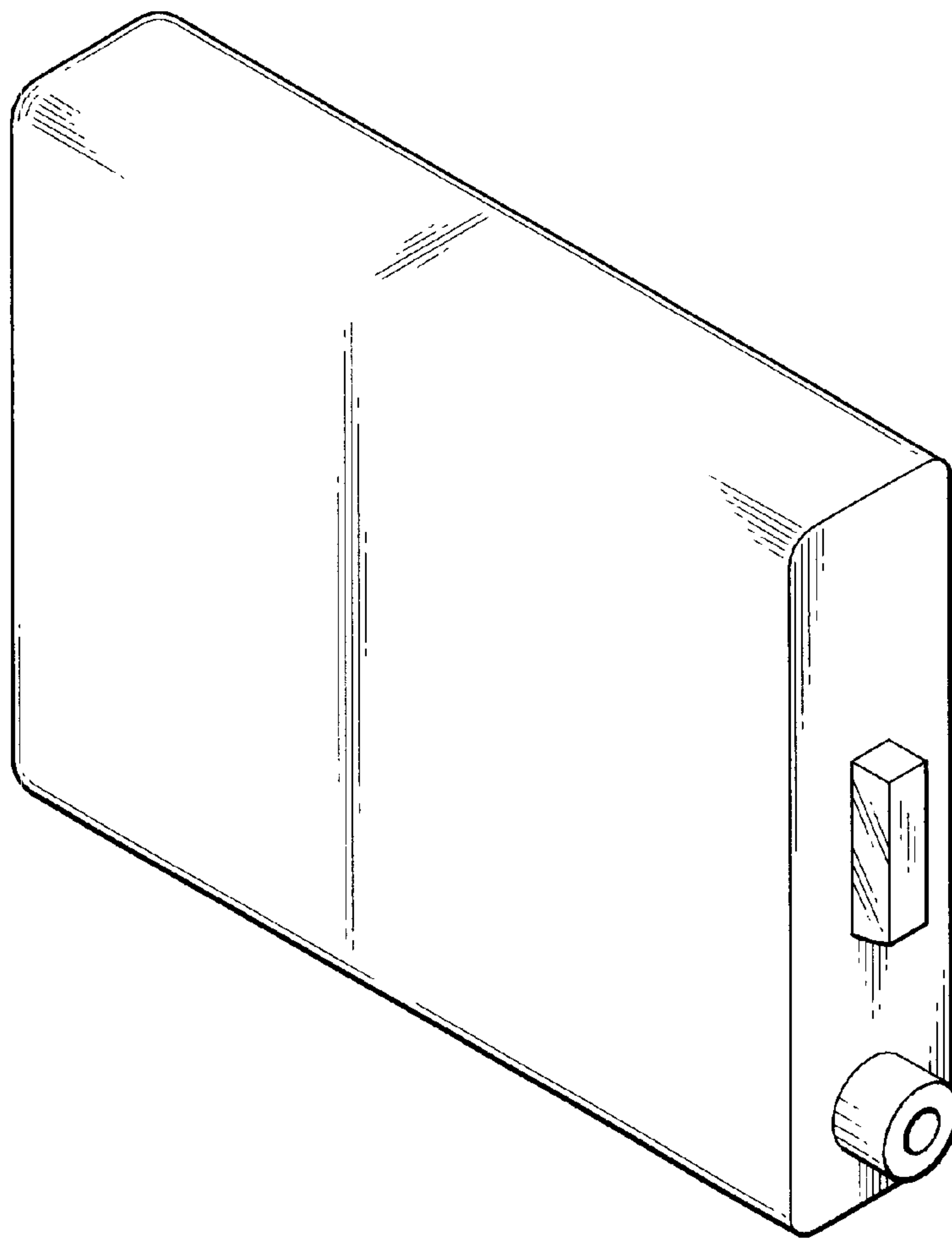


FIG. 1

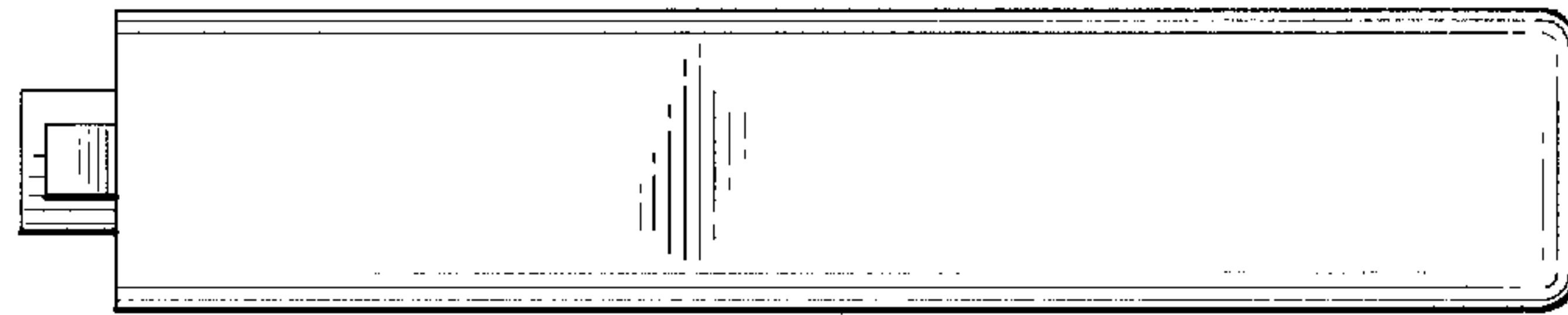


FIG. 3

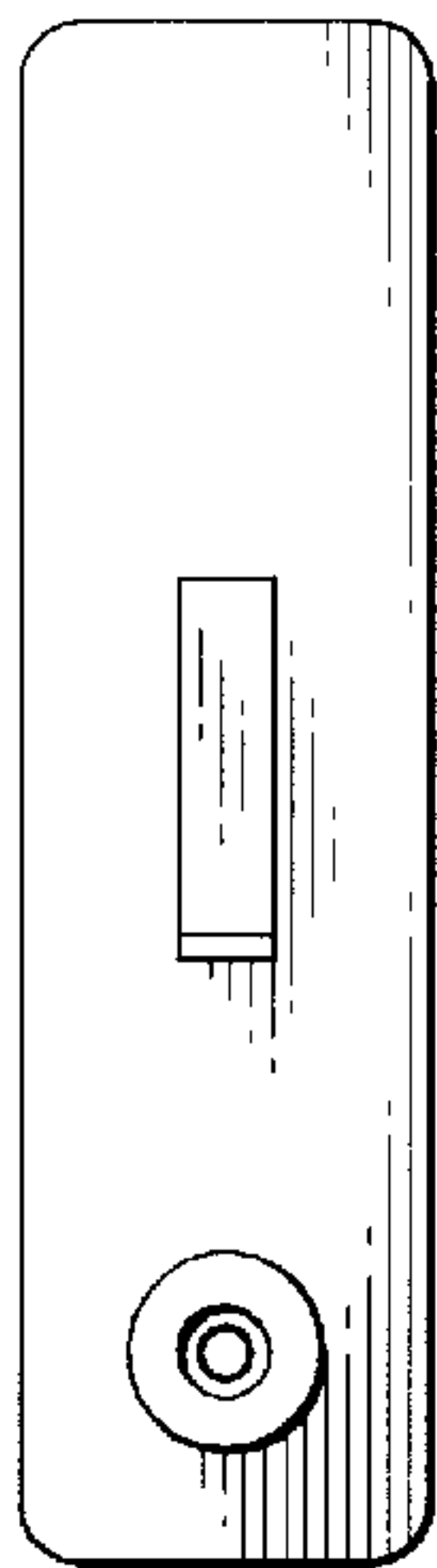


FIG. 2

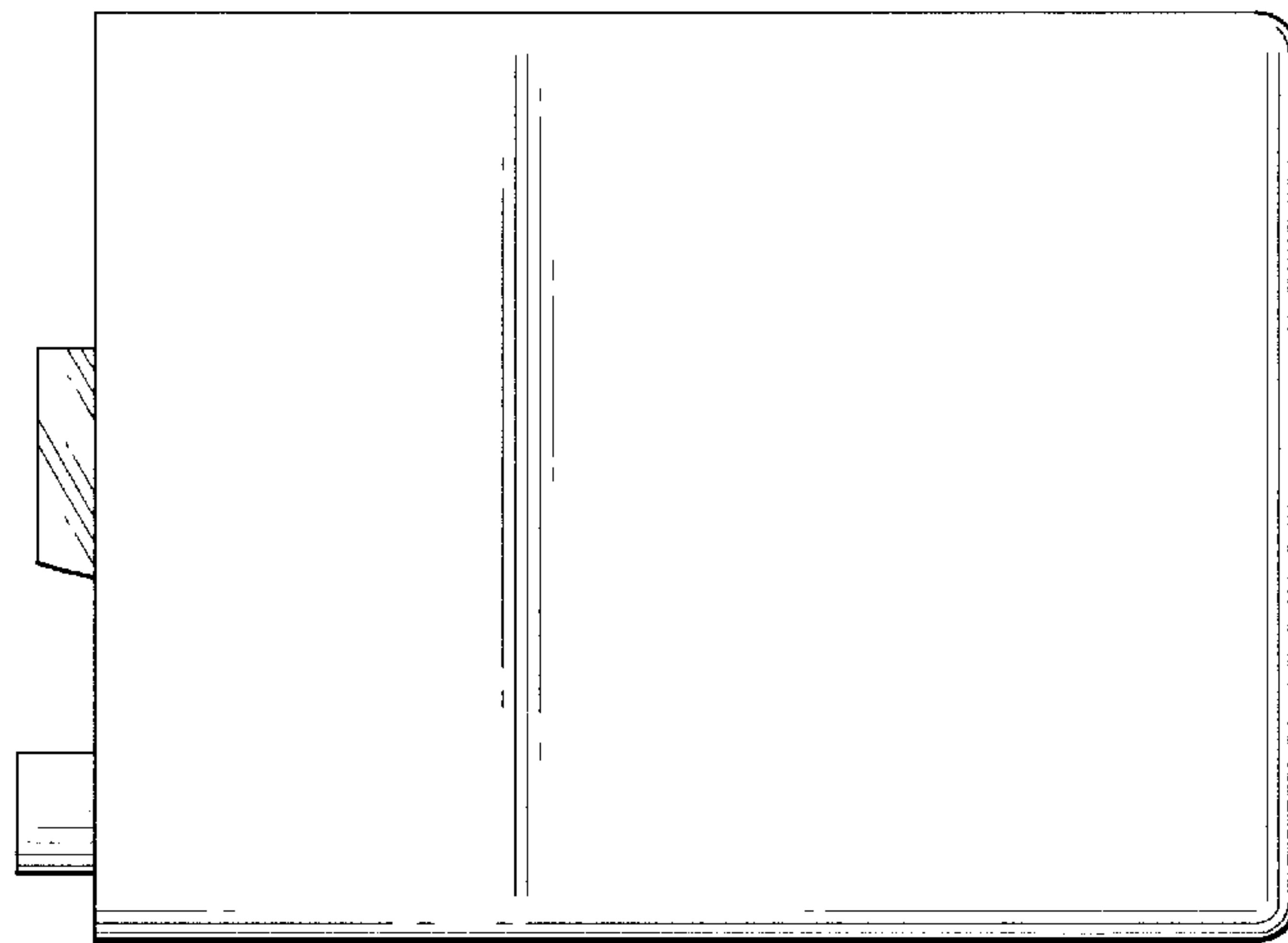


FIG. 4

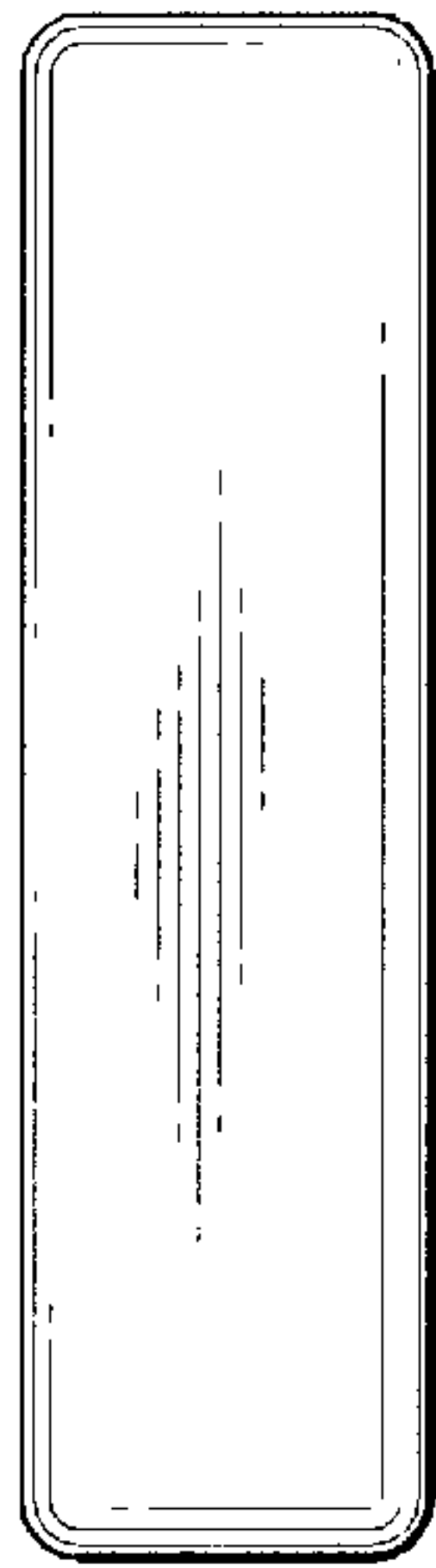


FIG. 6

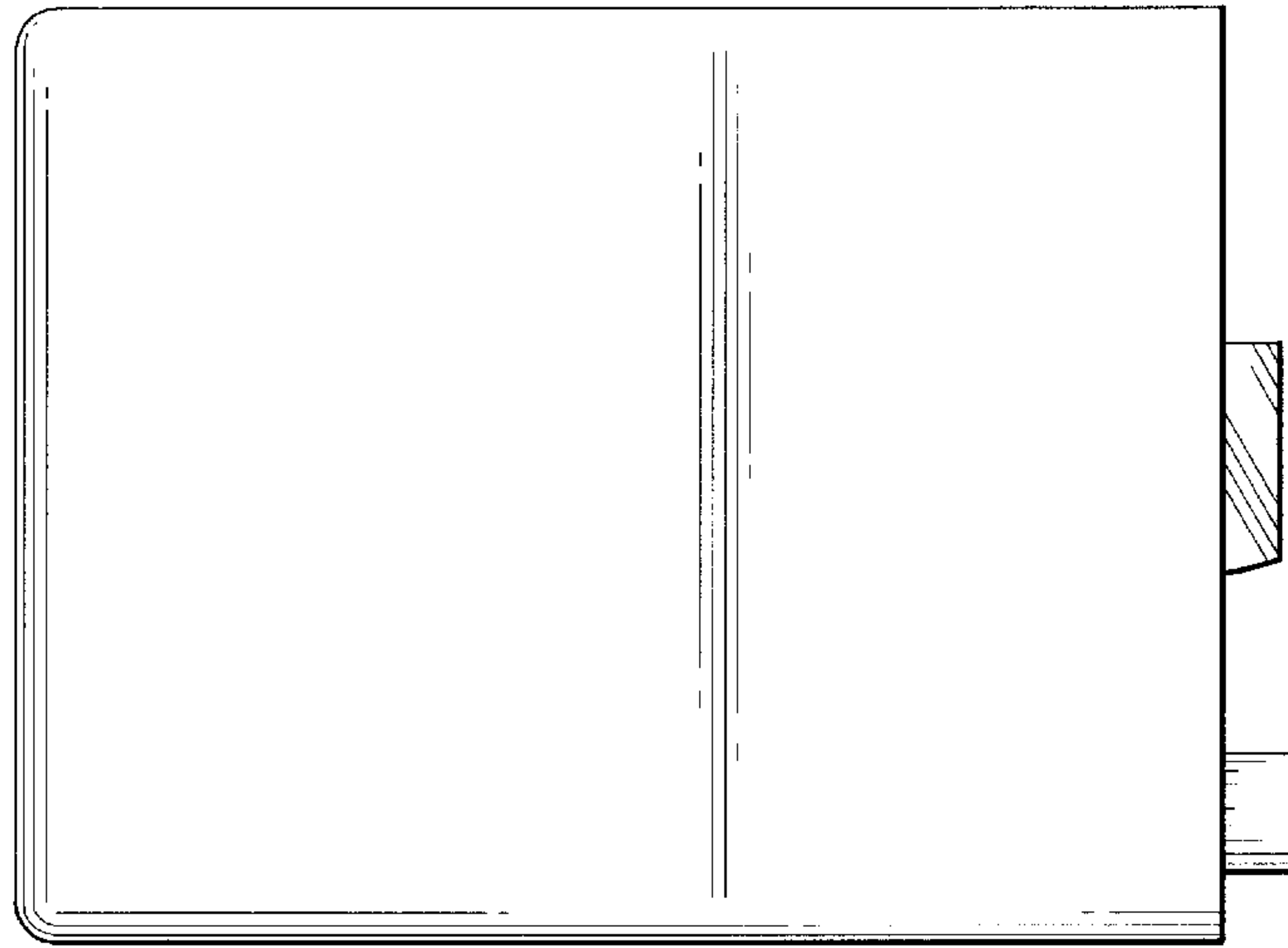


FIG. 5

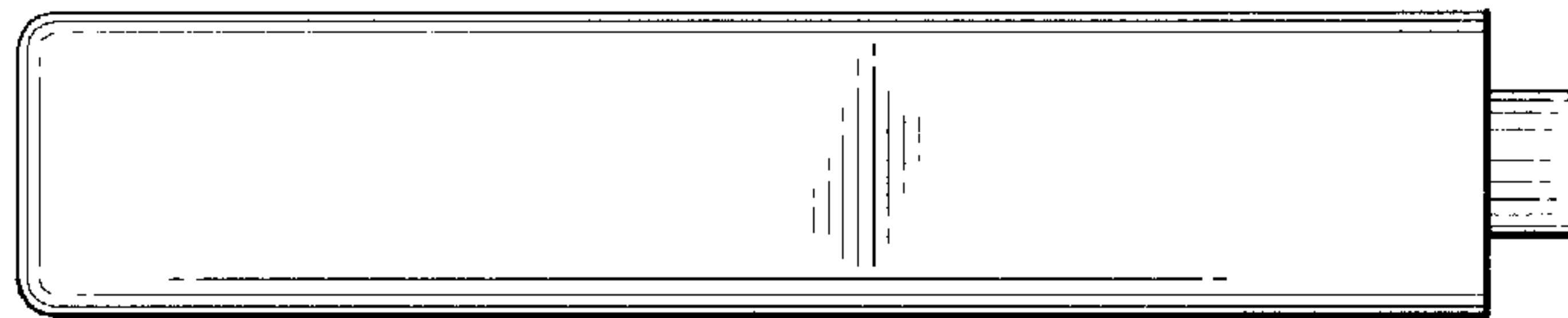


FIG. 7