



US00D540855S

(12) **United States Design Patent**  
**Umezawa et al.**

(10) **Patent No.:** **US D540,855 S**  
(45) **Date of Patent:** **\*\* Apr. 17, 2007**

(54) **INK CARTRIDGE**

(75) Inventors: **Takahisa Umezawa**, Kanagawa (JP);  
**Michiharu Nishijima**, Kanagawa (JP);  
**Masahide Yonao**, Kanagawa (JP)

(73) Assignee: **Graphtec Corporation** (JP)

(\*\*) Term: **14 Years**

(21) Appl. No.: **29/256,216**

(22) Filed: **Mar. 20, 2006**

(30) **Foreign Application Priority Data**

Oct. 28, 2005 (JP) ..... 2005-031579  
Oct. 28, 2005 (JP) ..... 2005-031580

(51) **LOC (8) Cl.** ..... **18-02**

(52) **U.S. Cl.** ..... **D18/56; 347/86**

(58) **Field of Classification Search** ..... D18/40,  
D18/43, 56; D14/481; 347/20, 29, 33, 49-50,  
347/86-87

See application file for complete search history.

(56) **References Cited**

**U.S. PATENT DOCUMENTS**

D392,671 S \* 3/1998 Sasaki ..... D18/56  
D477,021 S \* 7/2003 Yu et al. .... D18/56  
D530,365 S \* 10/2006 Wakayama et al. .... D18/56  
2004/0090502 A1 \* 5/2004 Tham ..... 347/86  
2005/0225612 A1 \* 10/2005 Lee et al. .... 347/86  
2006/0181585 A1 \* 8/2006 Chen ..... 347/86

**FOREIGN PATENT DOCUMENTS**

JP D1204713 S 5/2004

\* cited by examiner

*Primary Examiner*—Cathy Anne MacCormac

(74) *Attorney, Agent, or Firm*—Akerman Senterfitt; Jean C. Edwards, Esq.

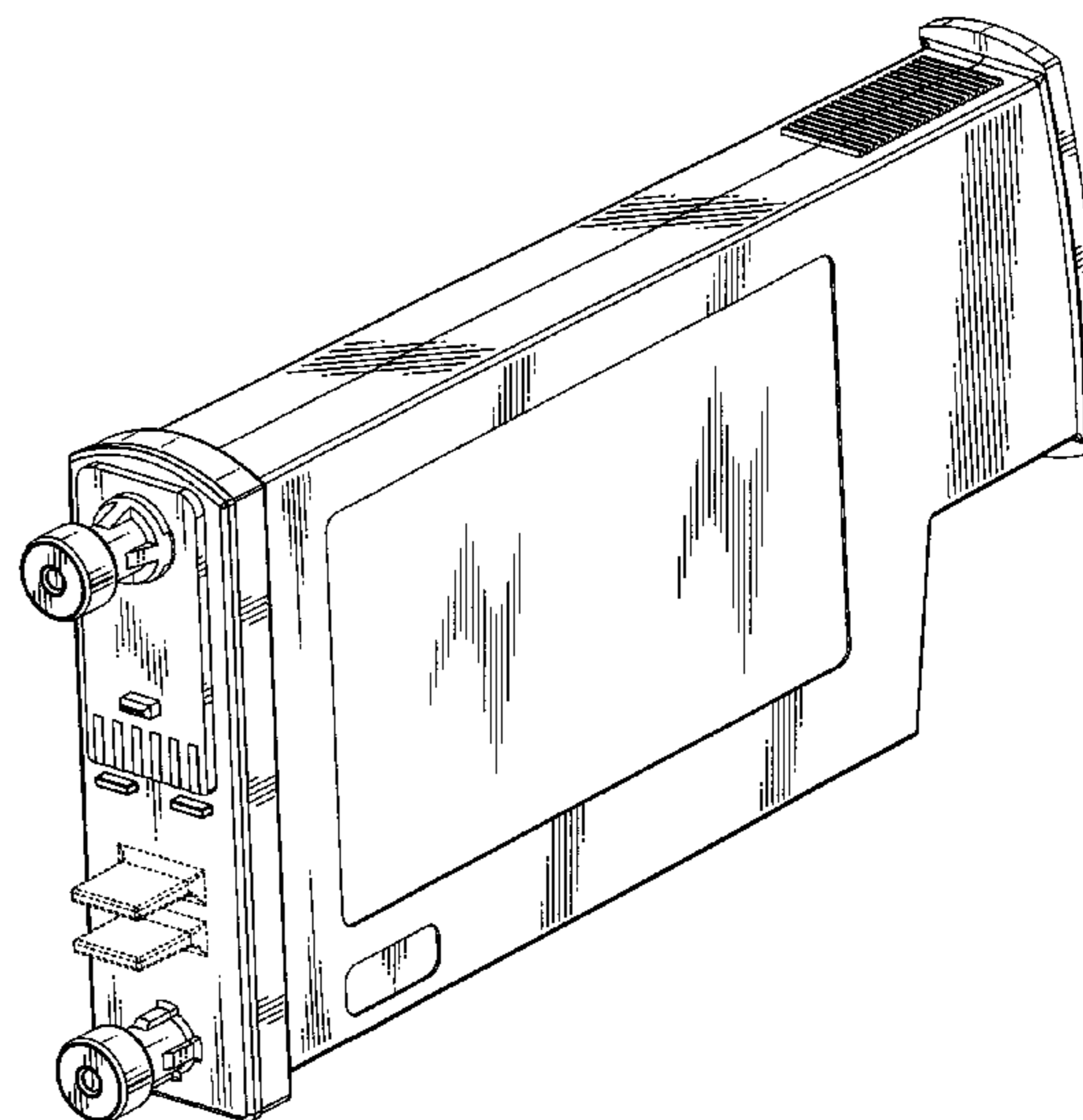
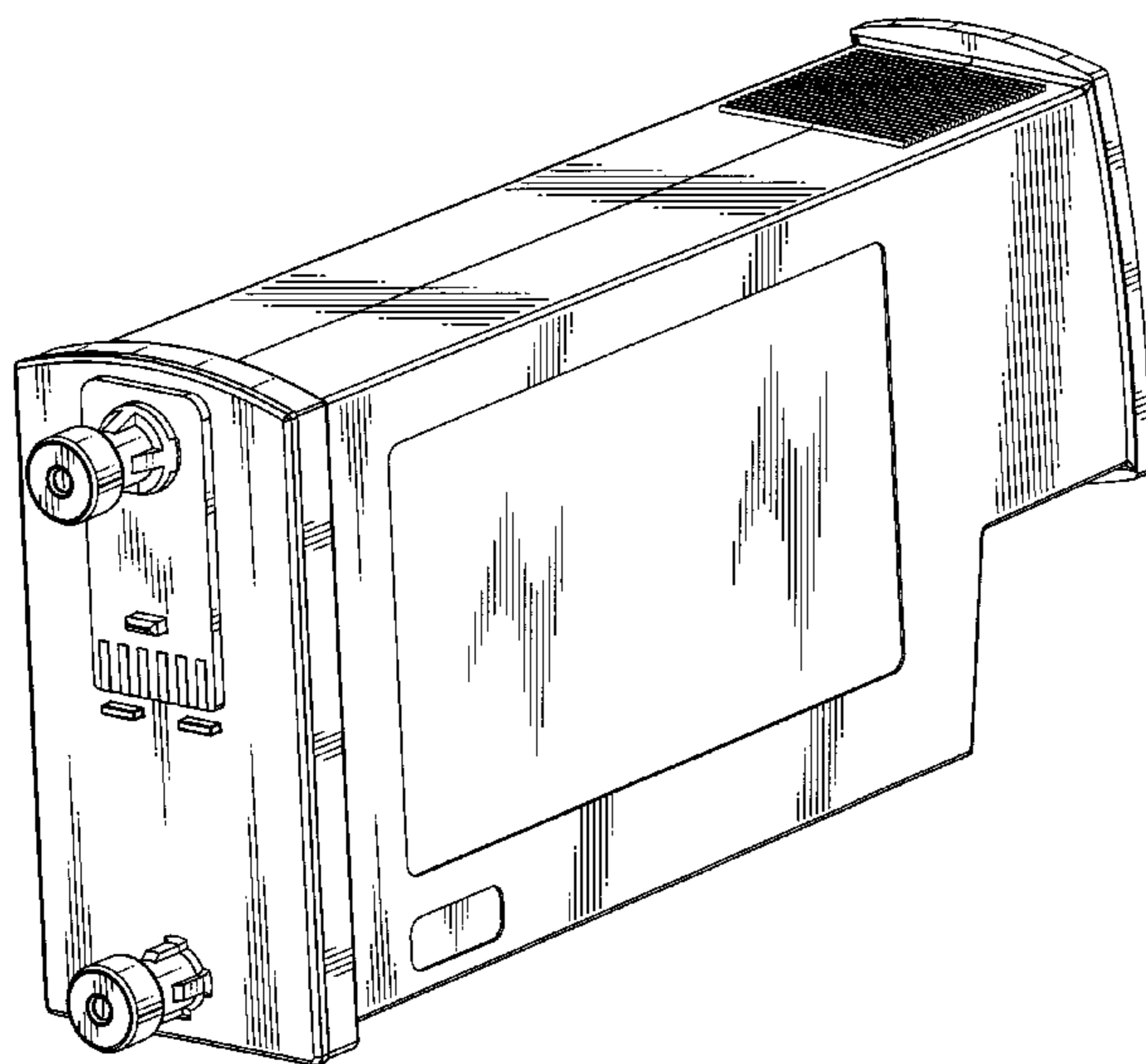
(57) **CLAIM**

The ornamental design for an ink cartridge, as shown and described.

**DESCRIPTION**

FIG. 1 is a front, top and left side perspective view of an ink cartridge showing our new design;  
FIG. 2 is a front view thereof;  
FIG. 3 is a rear view thereof;  
FIG. 4 is a top plan view thereof;  
FIG. 5 is a bottom view thereof;  
FIG. 6 is a left side view thereof;  
FIG. 7 is a right side view thereof;  
FIG. 8 is a front, top and left side perspective view of a second embodiment of an ink cartridge;  
FIG. 9 is a front view thereof;  
FIG. 10 is a rear view thereof;  
FIG. 11 is a top plan view thereof;  
FIG. 12 is a bottom view thereof;  
FIG. 13 is a left side view thereof; and,  
FIG. 14 is a right side view thereof.  
The broken lines are for illustrative purposes only and form no part of the claimed design.

**1 Claim, 10 Drawing Sheets**



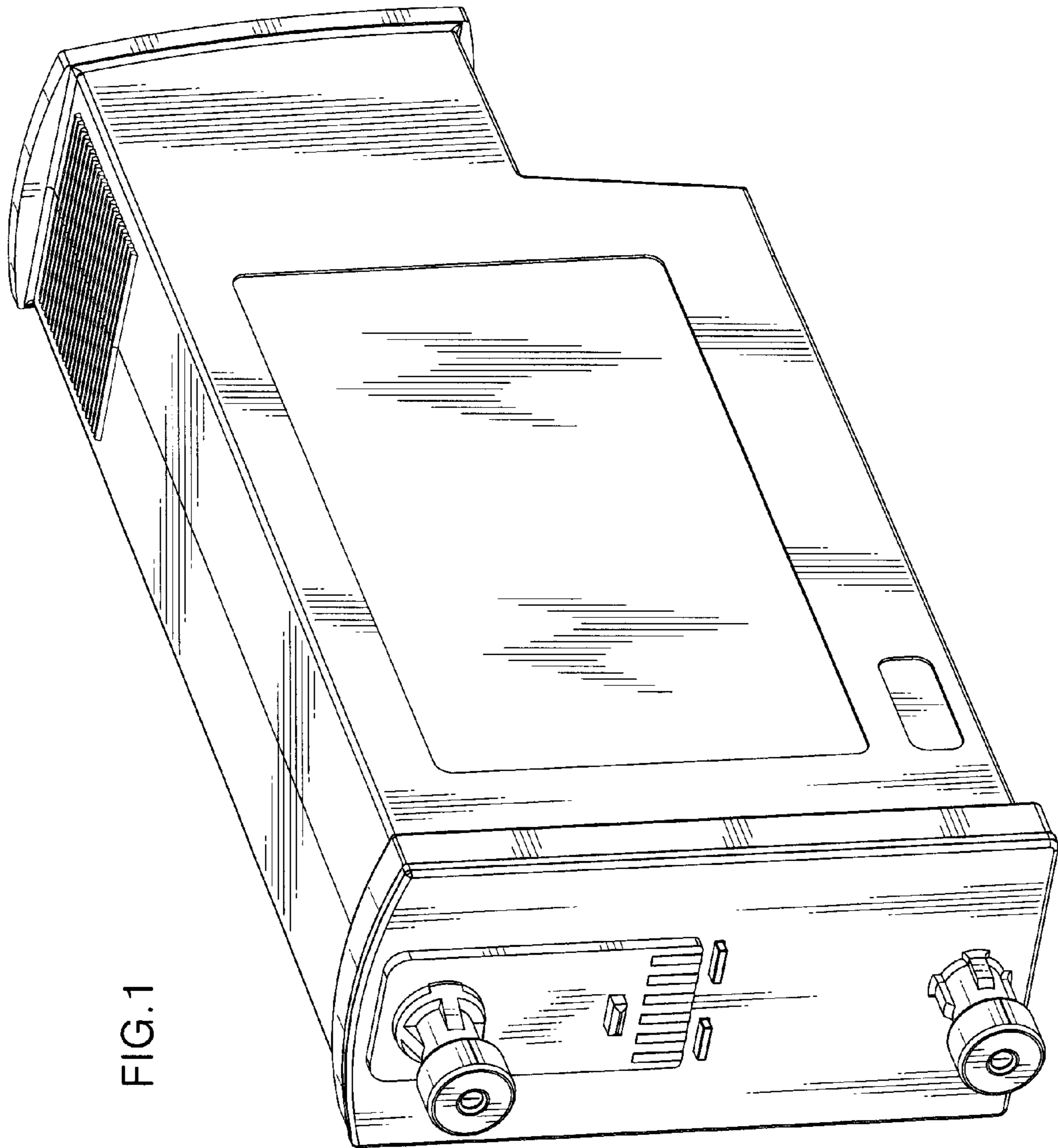


FIG. 1

FIG.2

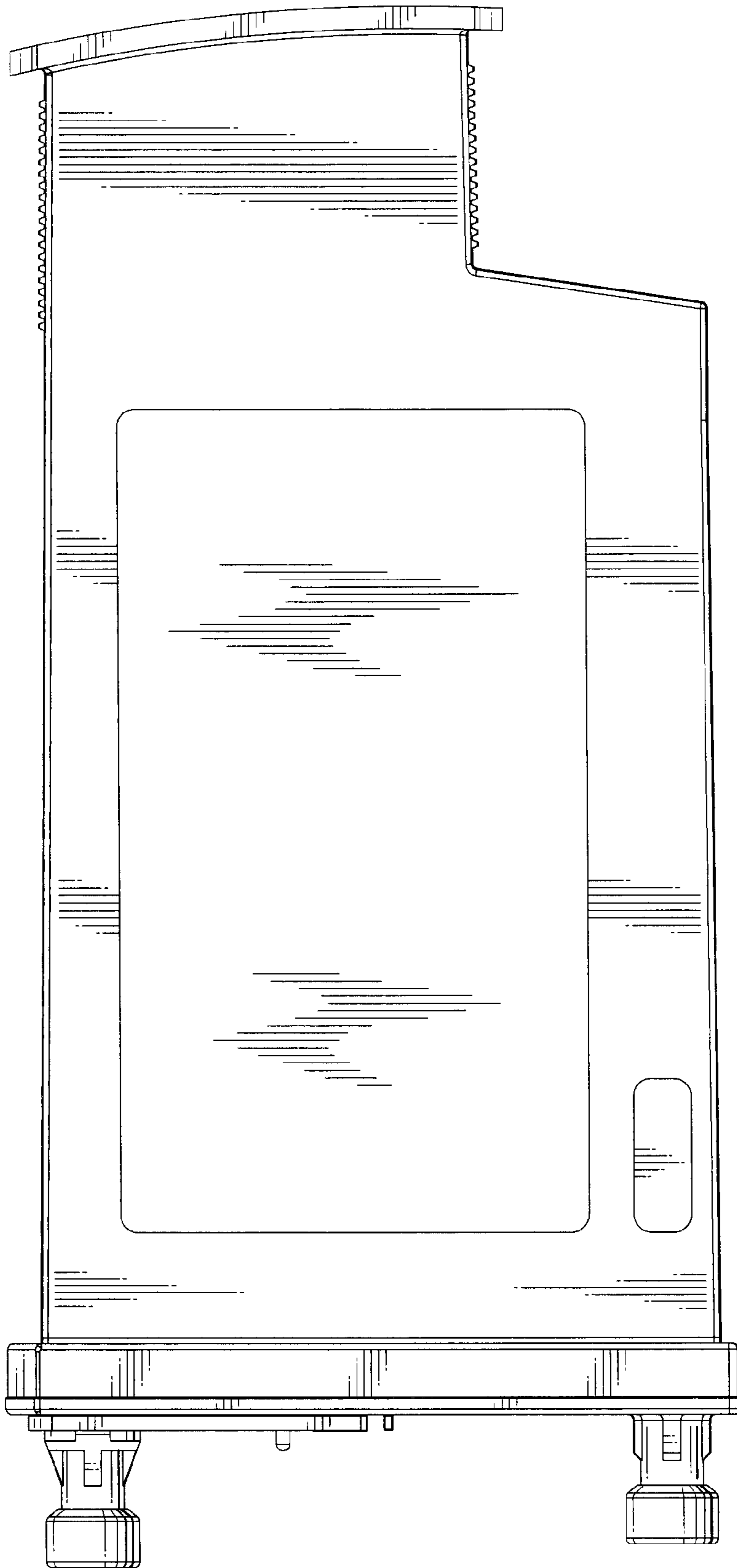


FIG. 3

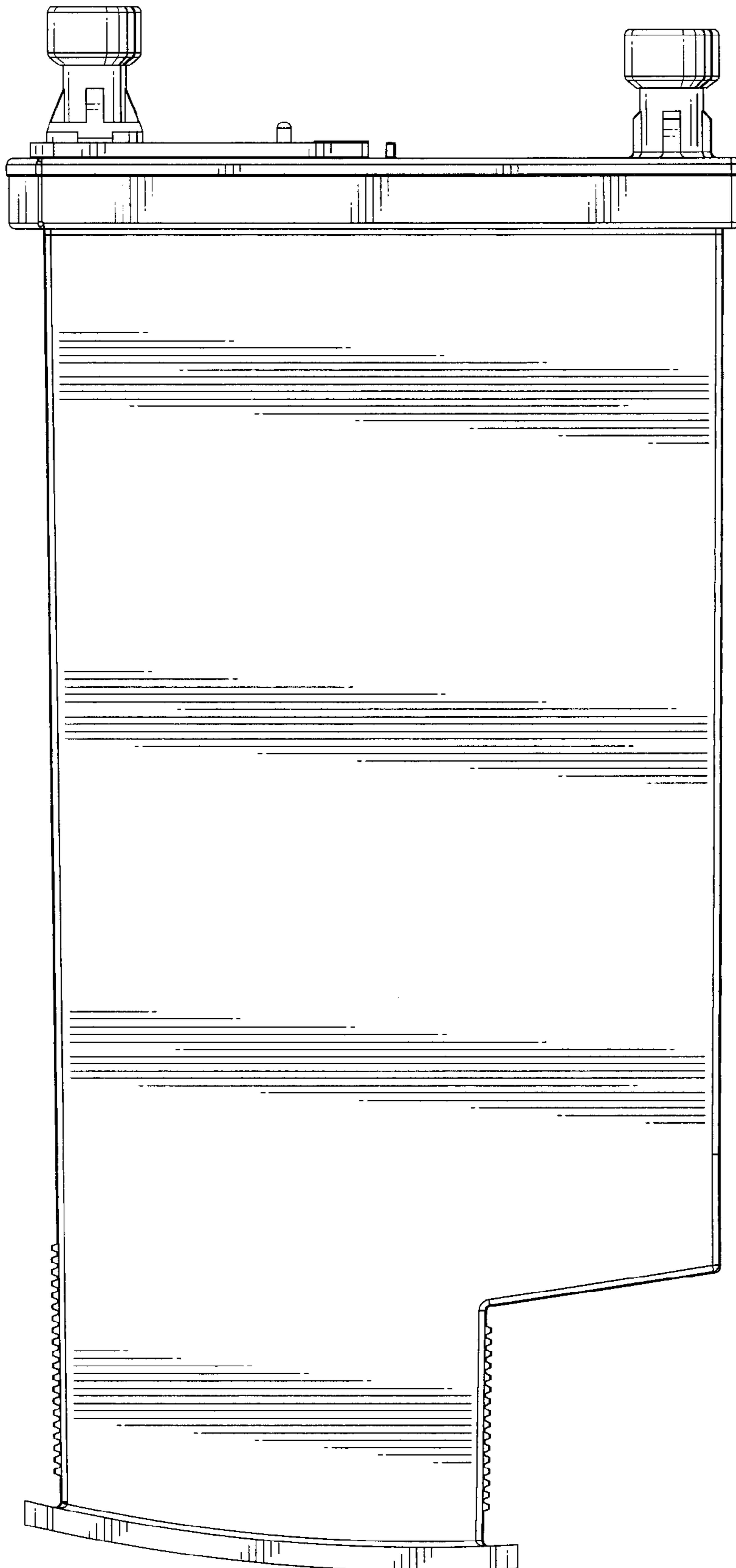


FIG.4

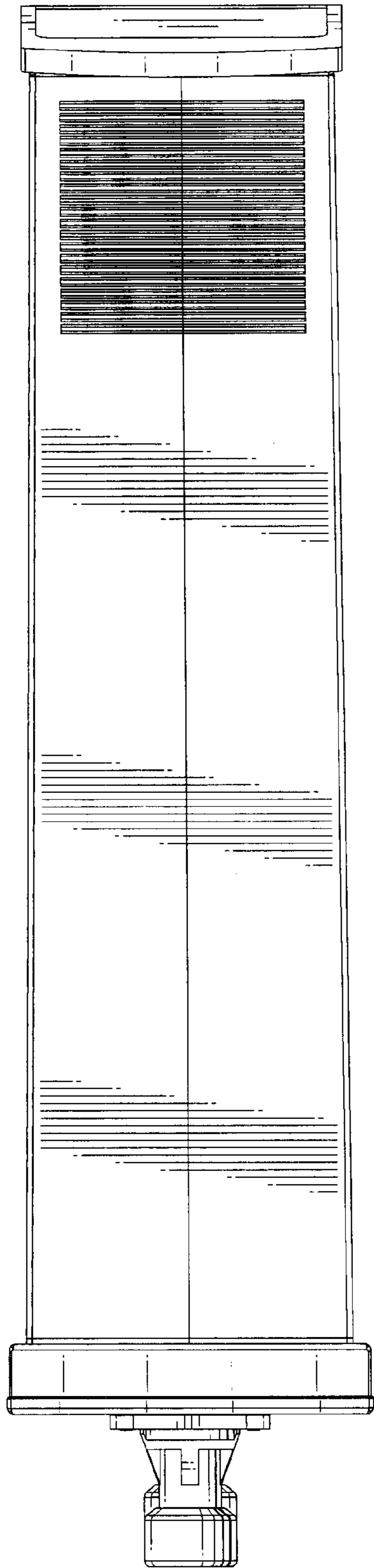


FIG.5

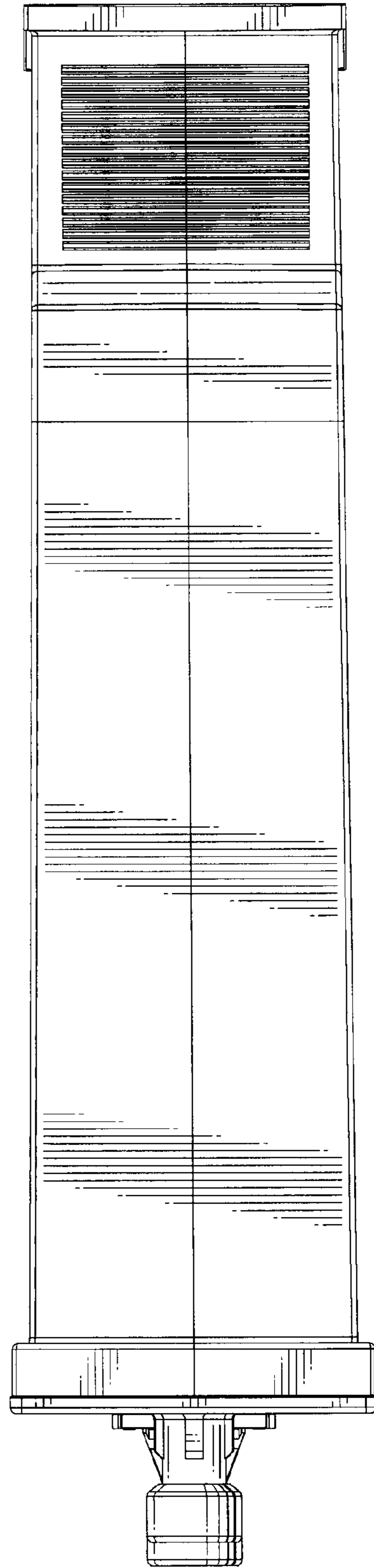


FIG.6

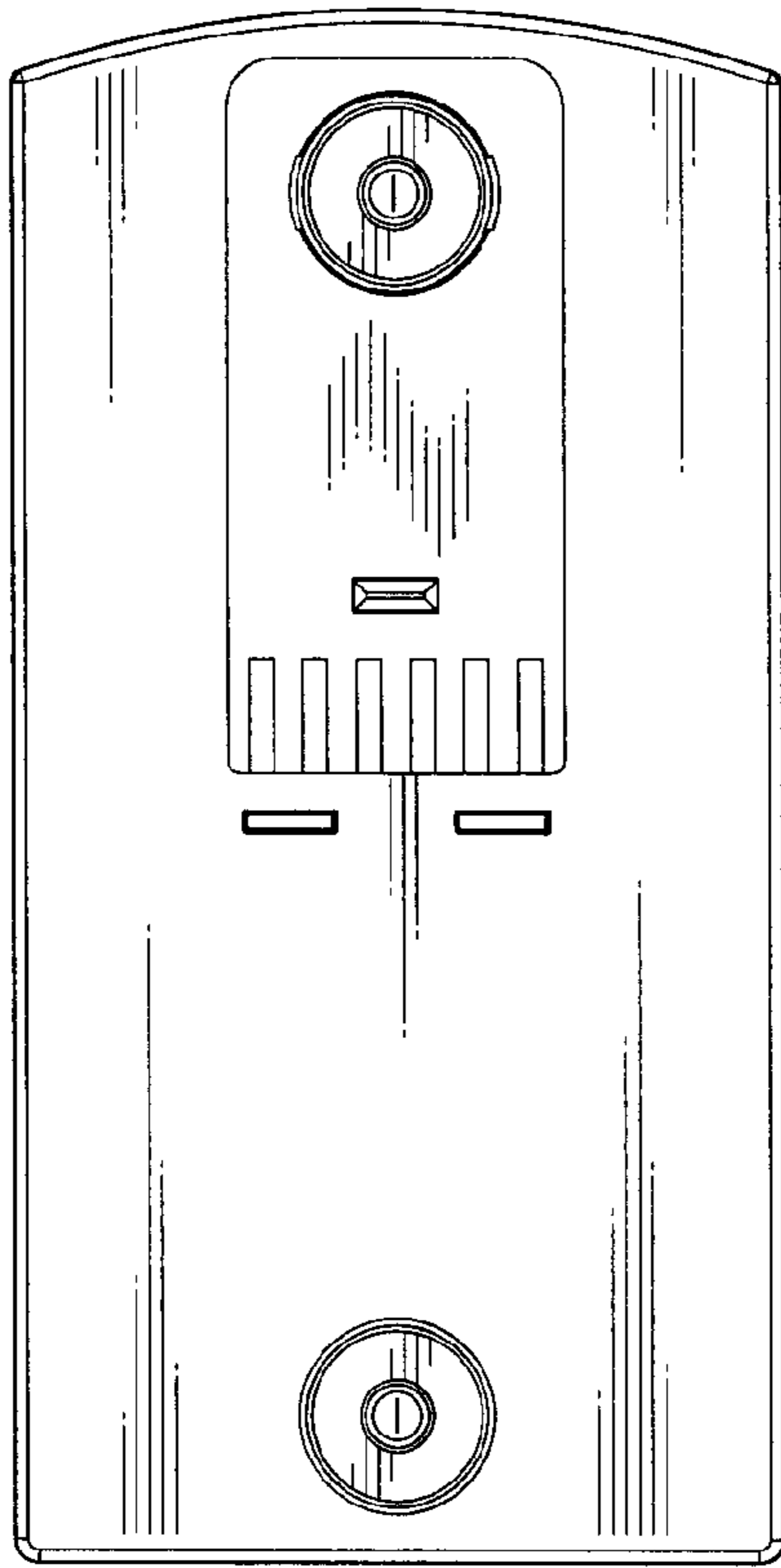


FIG.7

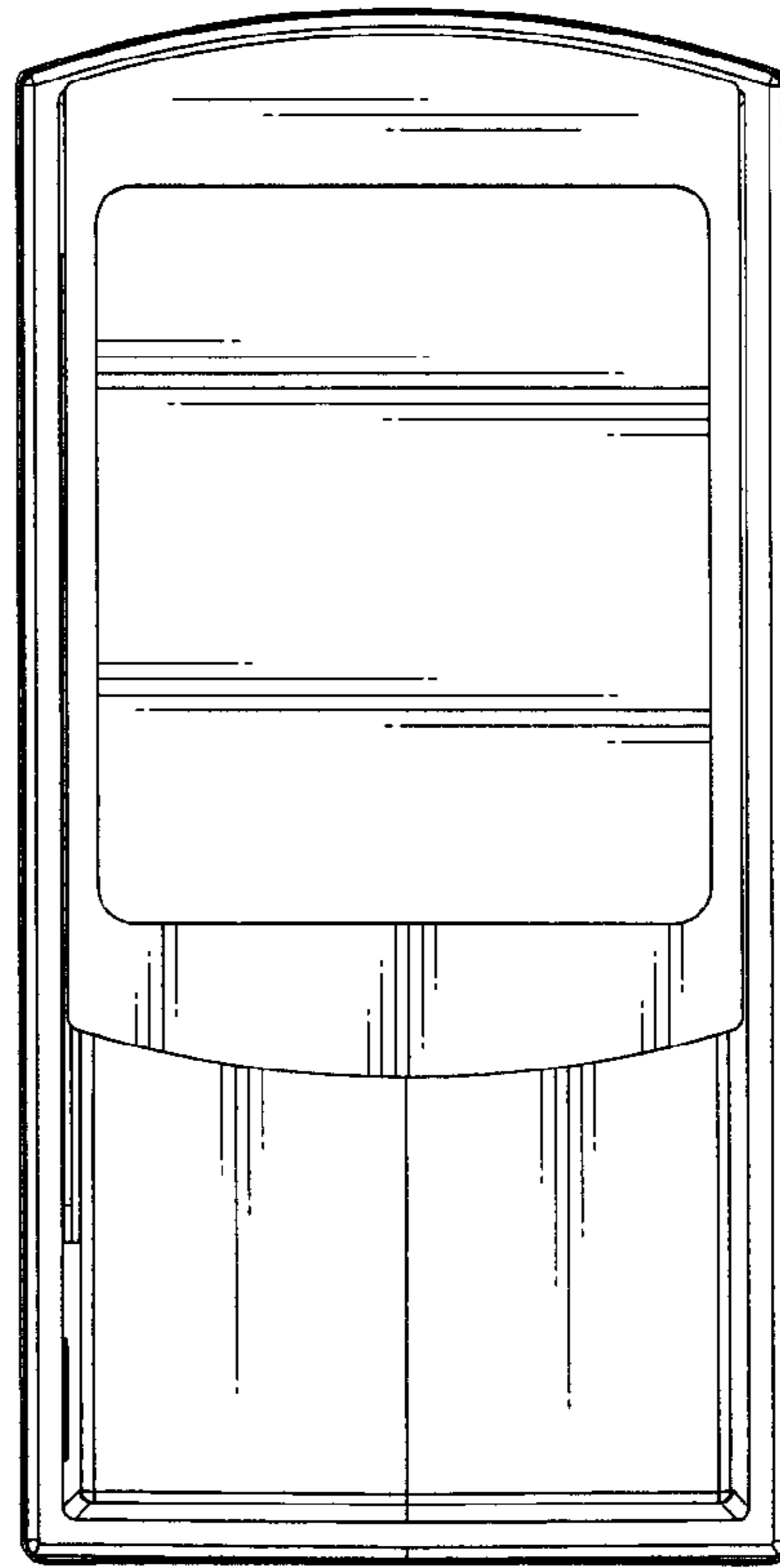


FIG. 8

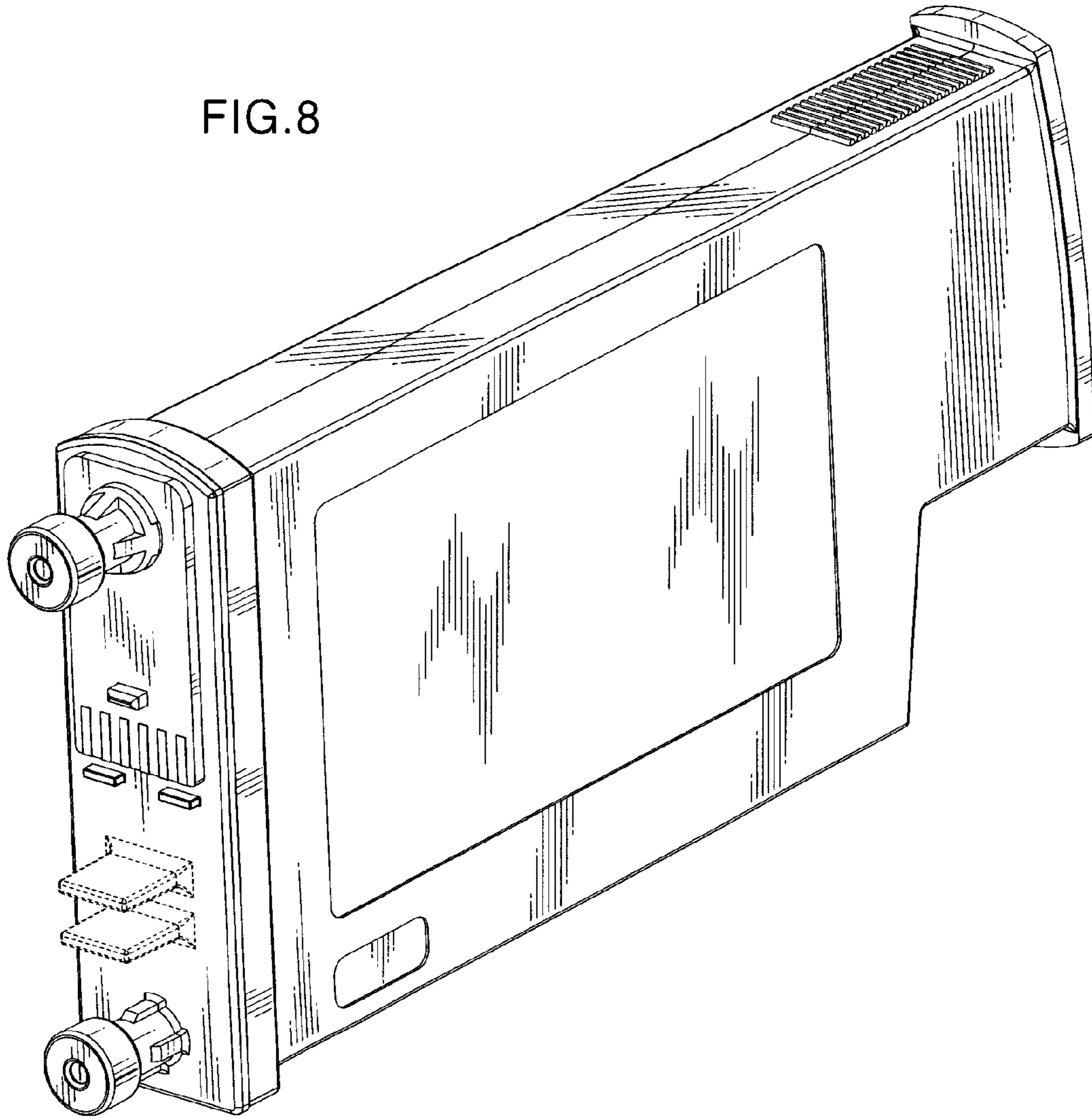
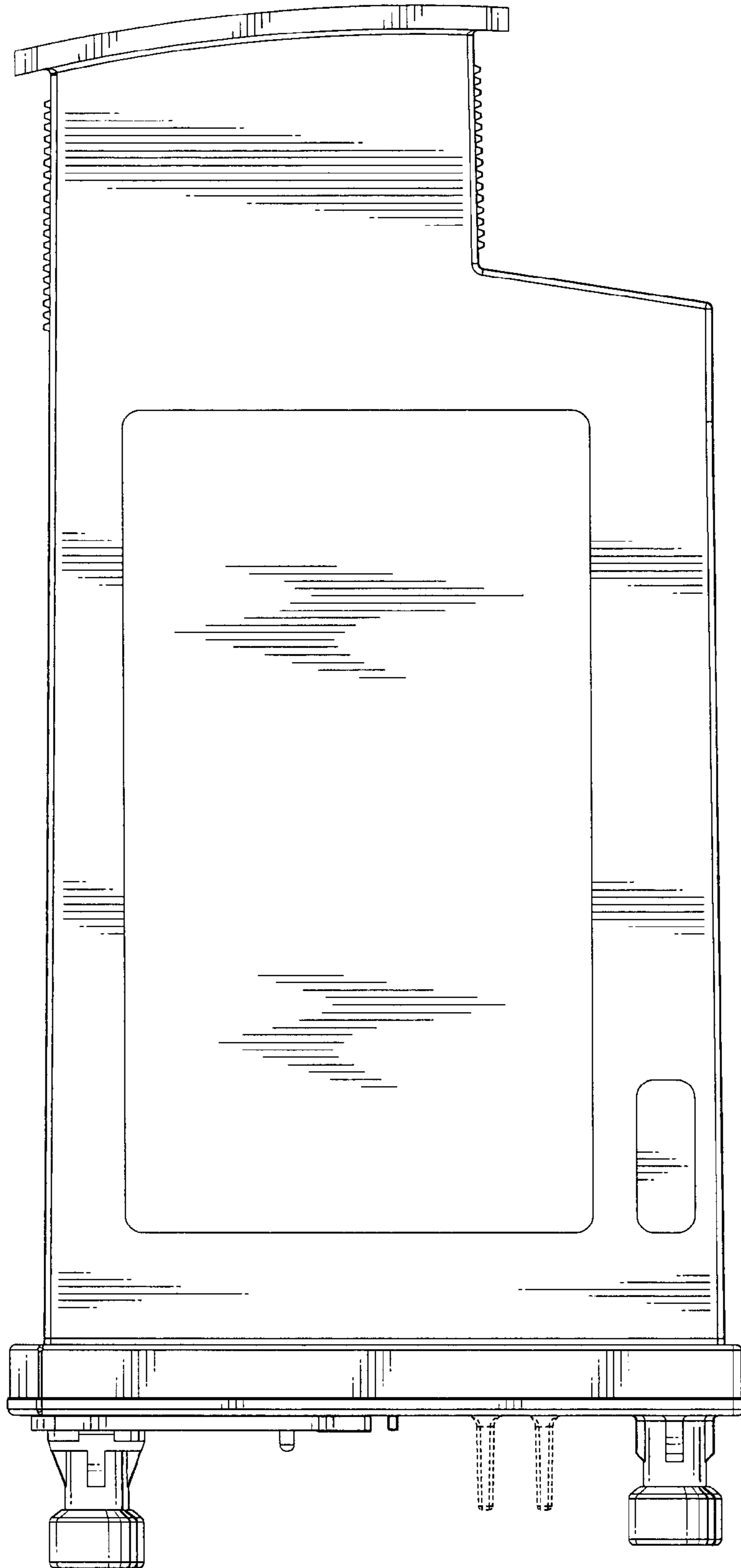


FIG. 9





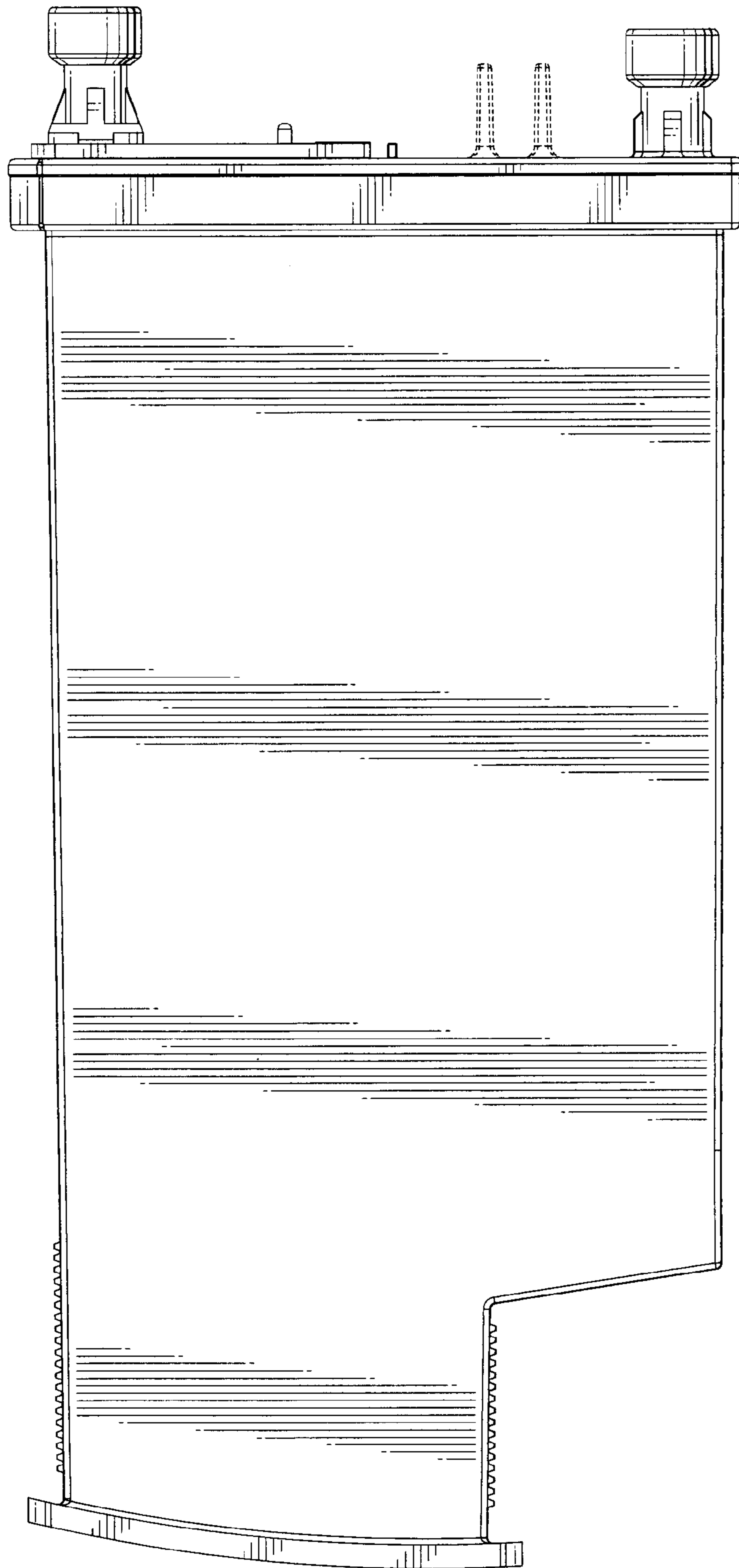


FIG.10

FIG.11

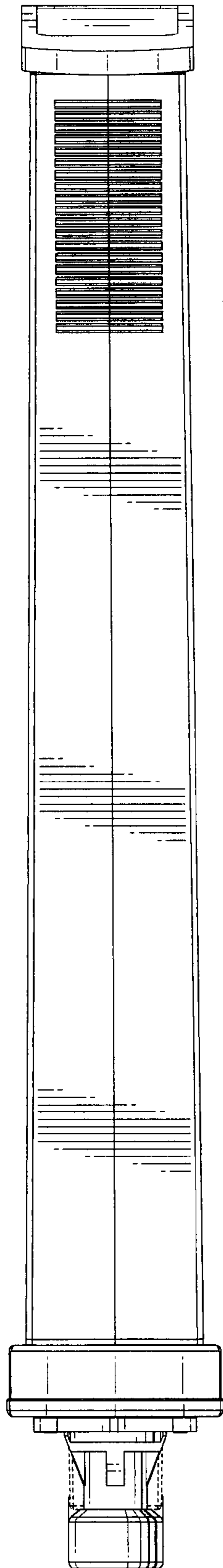


FIG.12

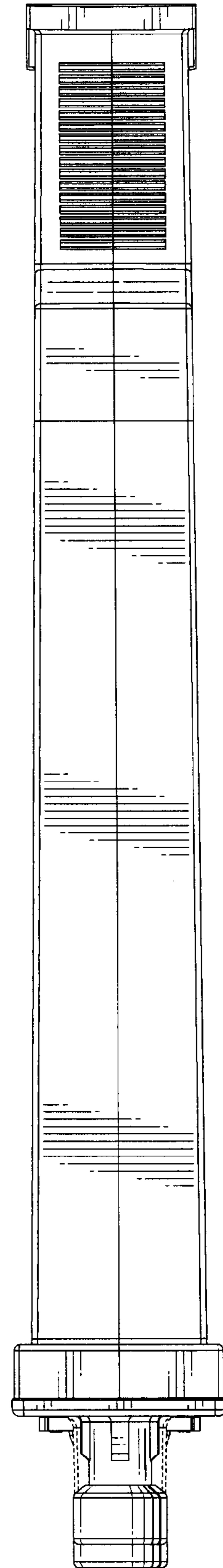


FIG. 13

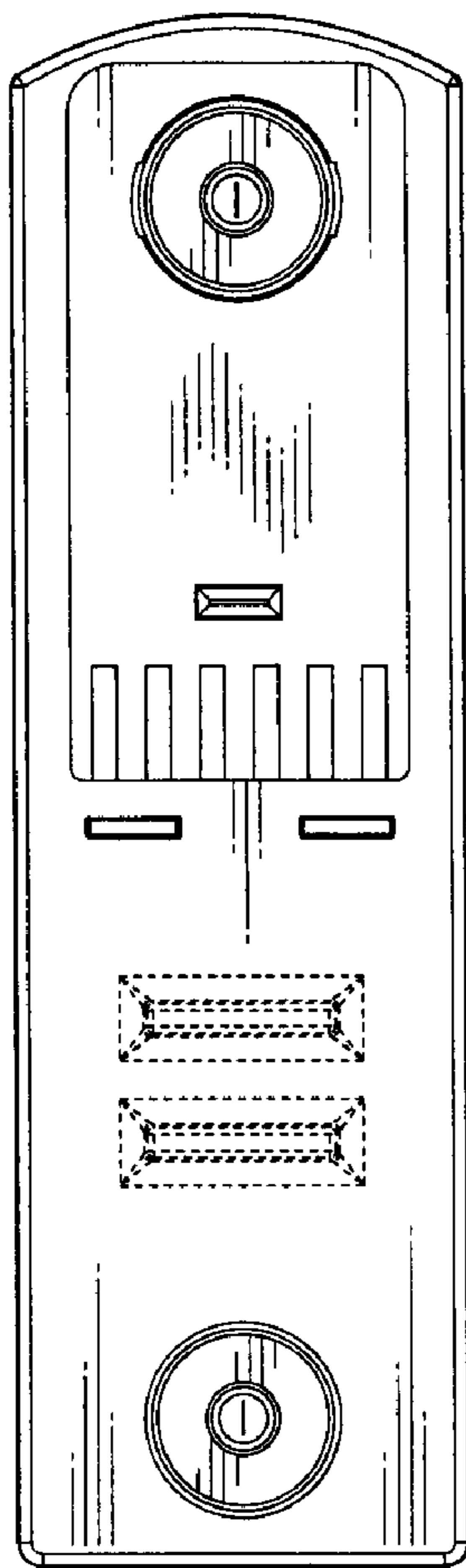


FIG. 14

