



US00D540854S

(12) **United States Design Patent**
Korn et al.

(10) **Patent No.:** **US D540,854 S**
(45) **Date of Patent:** **** Apr. 17, 2007**

(54) **INK STICK FOR PHASE CHANGE INK JET PRINTER**

(75) Inventors: **Scott J. Korn**, Portland, OR (US);
Brent R. Jones, Tualatin, OR (US);
Nathan E. Hult, Wilsonville, OR (US);
Timothy L. Crawford, Saint Paul, OR (US)

(73) Assignee: **Xerox Corporation**, Stamford, CT (US)

(**) Term: **14 Years**

(21) Appl. No.: **29/226,580**

(22) Filed: **Mar. 30, 2005**

(51) **LOC (8) Cl.** **18-02**

(52) **U.S. Cl.** **D18/56; 346/88**

(58) **Field of Classification Search** D18/40,
D18/43, 56; 347/88, 99; 106/31.29, 31.61
See application file for complete search history.

(56) **References Cited**

U.S. PATENT DOCUMENTS

D383,153 S	*	9/1997	Jones et al.	D18/56
D407,745 S	*	4/1999	Brown et al.	D18/56
D415,193 S	*	10/1999	Jones	D18/56
D436,989 S	*	1/2001	Mattern et al.	D18/56
D440,248 S	*	4/2001	Mattern et al.	D18/56
D453,786 S	*	2/2002	Mattern	D18/56
D479,368 S	*	9/2003	Jones	D18/56
D482,722 S	*	11/2003	Jones	D18/56

6,672,716 B2	*	1/2004	Jones	347/88
D500,516 S		1/2005	Jones et al.		
D500,783 S		1/2005	Jones et al.		
D500,785 S	*	1/2005	Jones et al.	D18/56
D500,786 S		1/2005	Jones et al.		
6,893,121 B2		5/2005	Jones		
D500,784 S		6/2005	Jones et al.		
D505,973 S		6/2005	Jones et al.		
D505,974 S	*	6/2005	Jones et al.	D18/56
D506,778 S		6/2005	Jones et al.		
D506,779 S		6/2005	Jones et al.		

* cited by examiner

Primary Examiner—Cathy Anne MacCormac
(74) *Attorney, Agent, or Firm*—Tallam I. Nguti

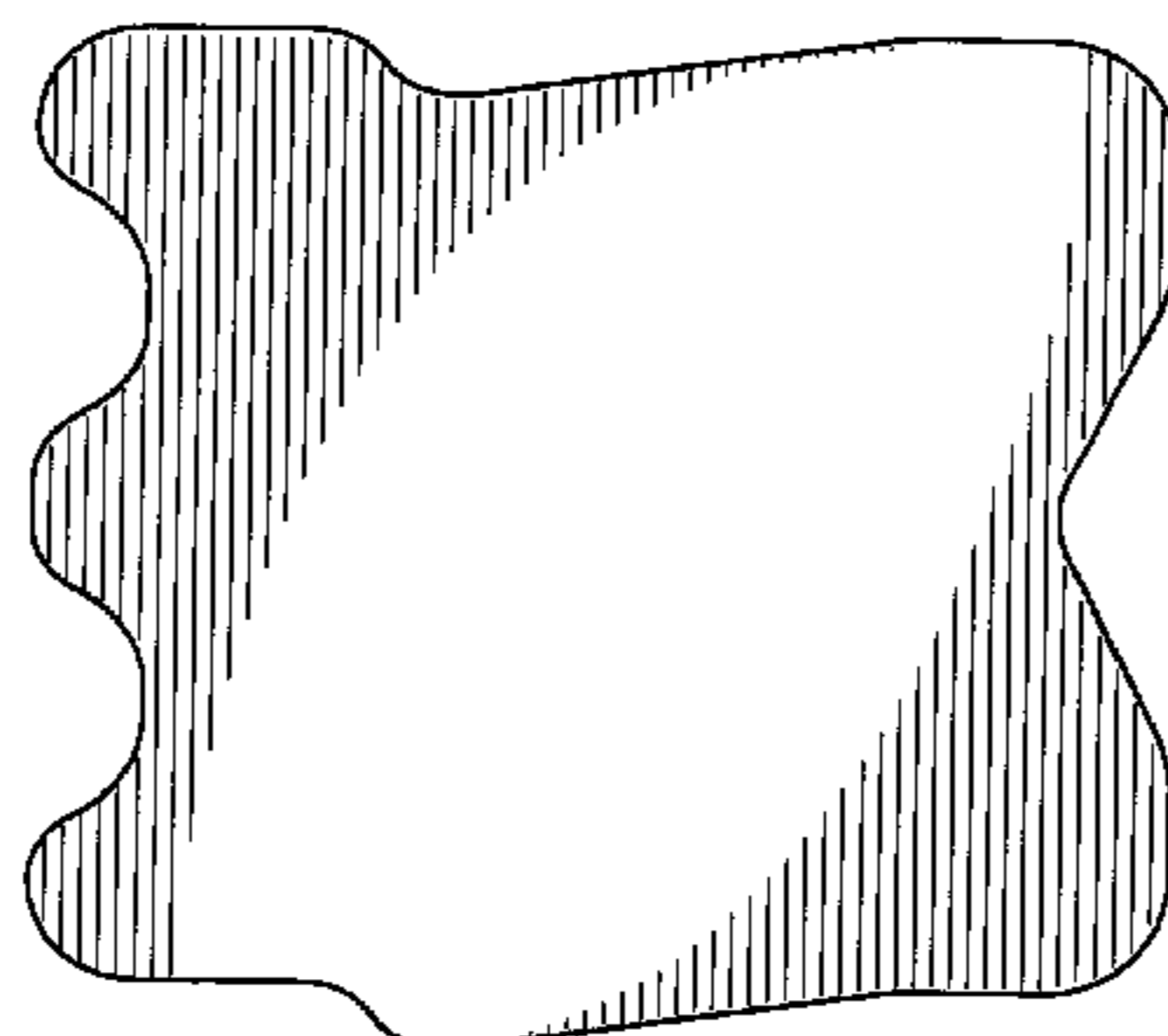
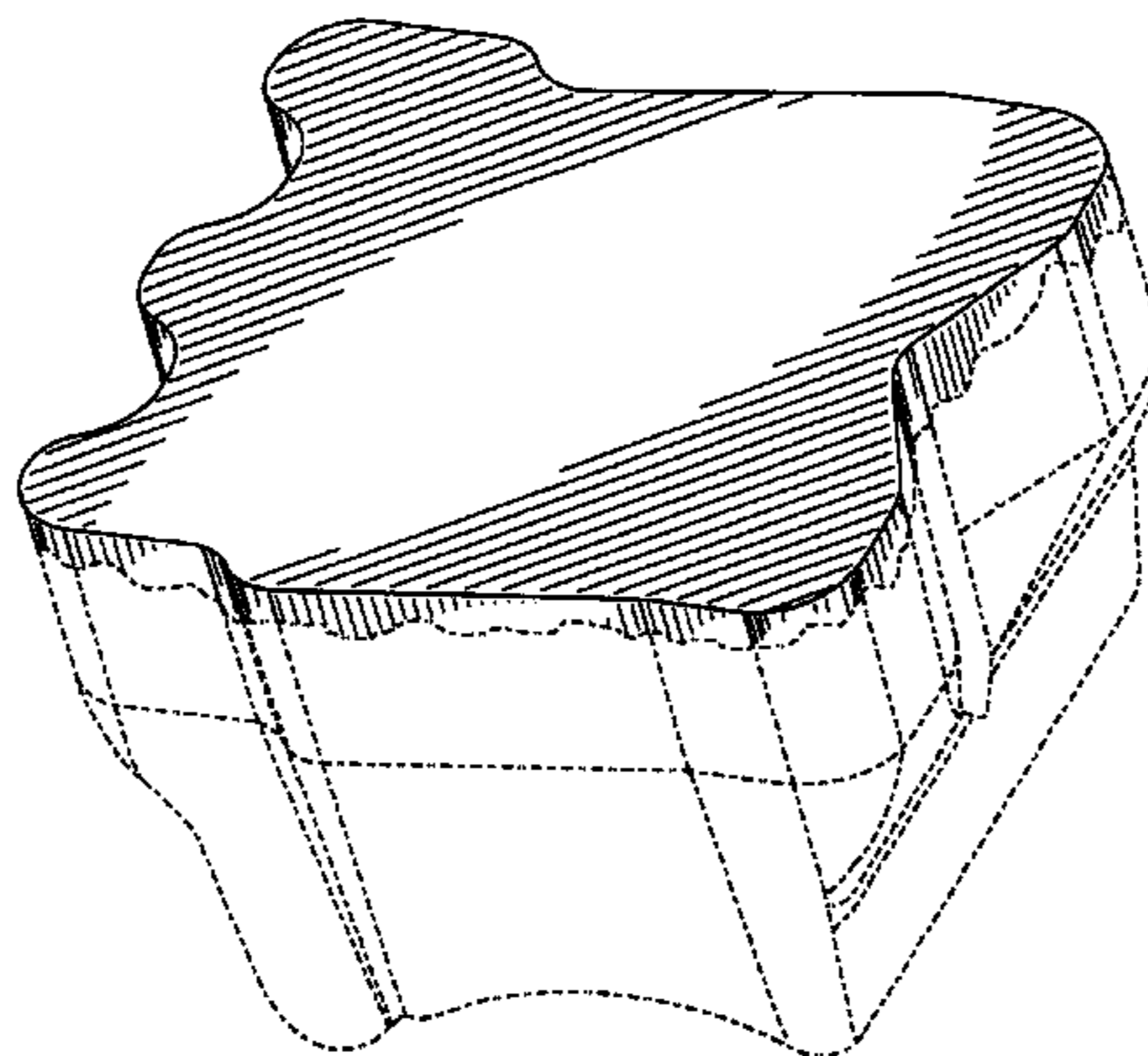
(57) **CLAIM**

The ornamental design for an ink stick for phase change ink jet printer, as shown and described.

DESCRIPTION

FIG. 1 is a perspective view of an ink stick for phase change ink jet printer illustrating the new design; FIG. 2 is a front elevational view thereof; FIG. 3 is a right side elevational view thereof; FIG. 4 is a rear elevational view thereof; FIG. 5 is a left side elevational view thereof; FIG. 6 is a top plan view thereof; and, FIG. 7 is a bottom plan view thereof. The broken lines are for illustrative purposes only and form no part of the claimed design.

1 Claim, 4 Drawing Sheets



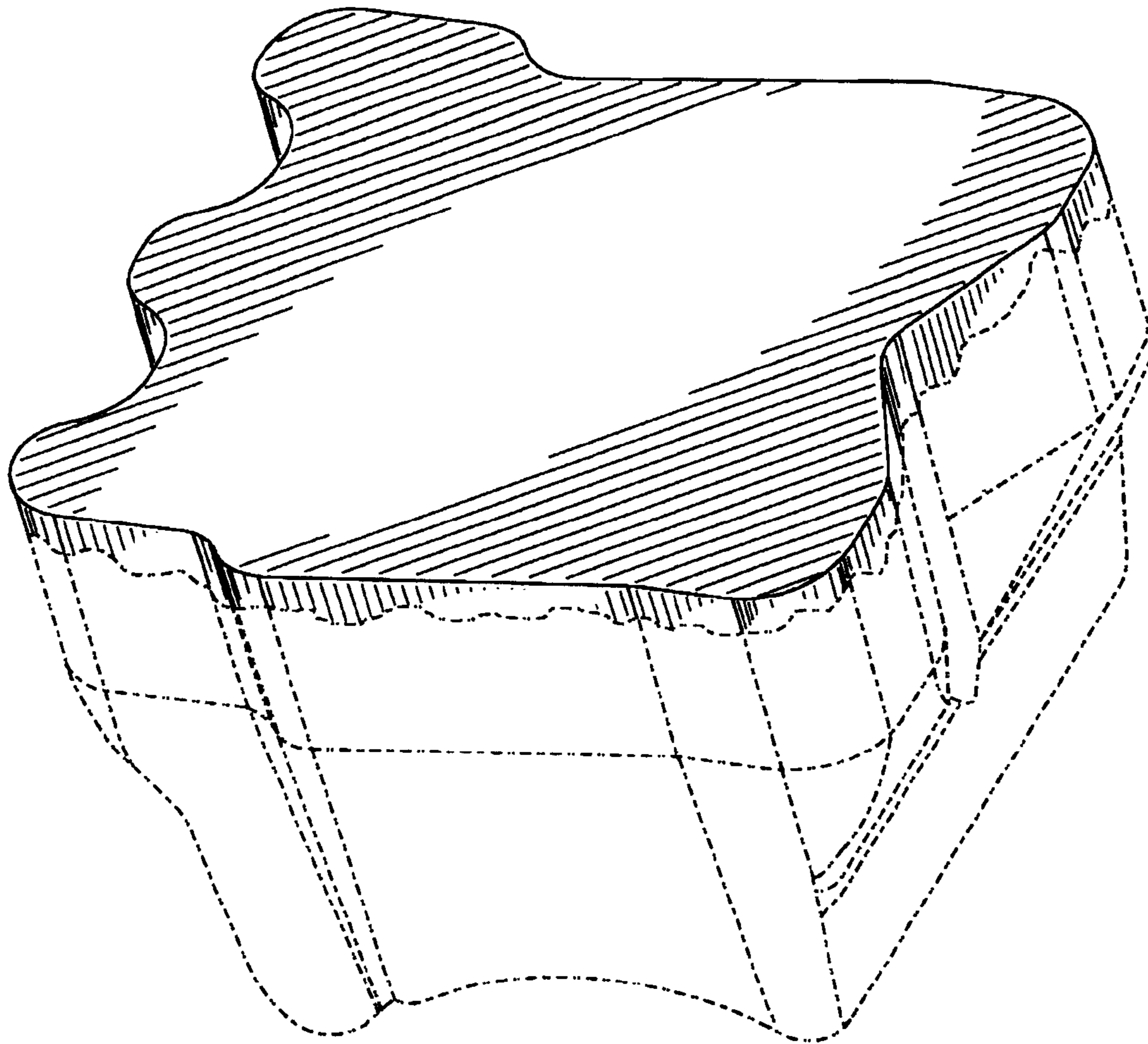


FIG. 1

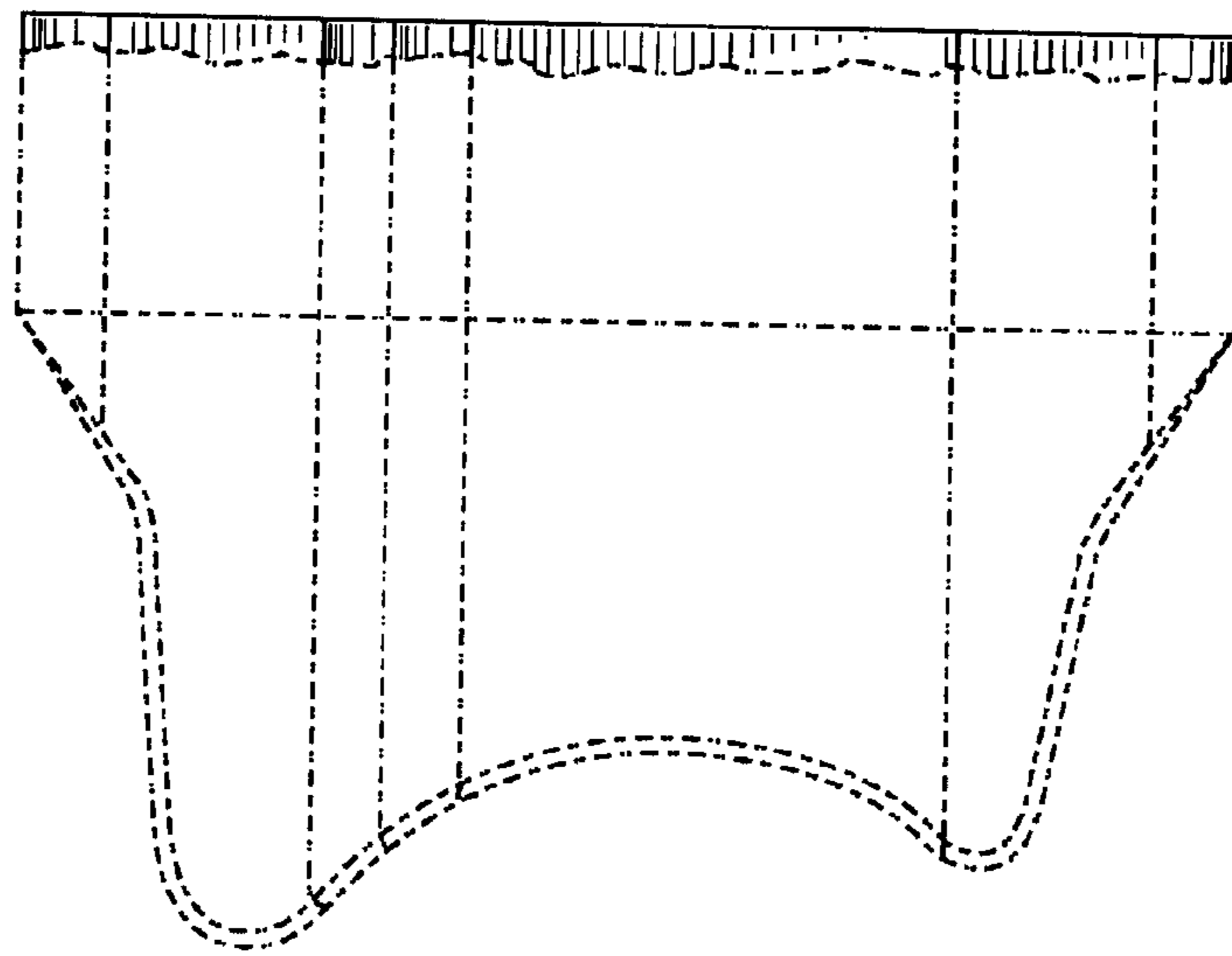


FIG. 2

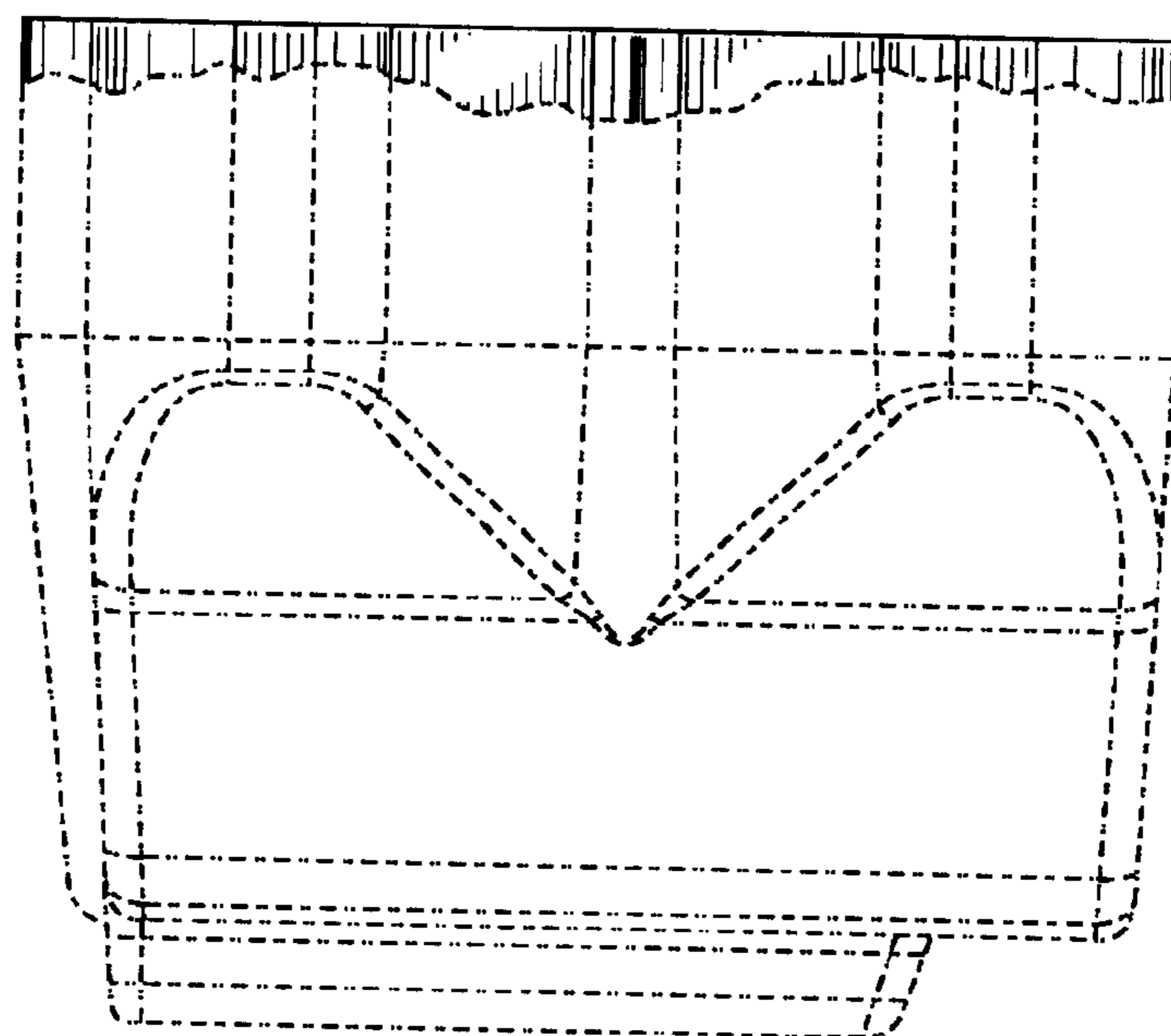


FIG. 3

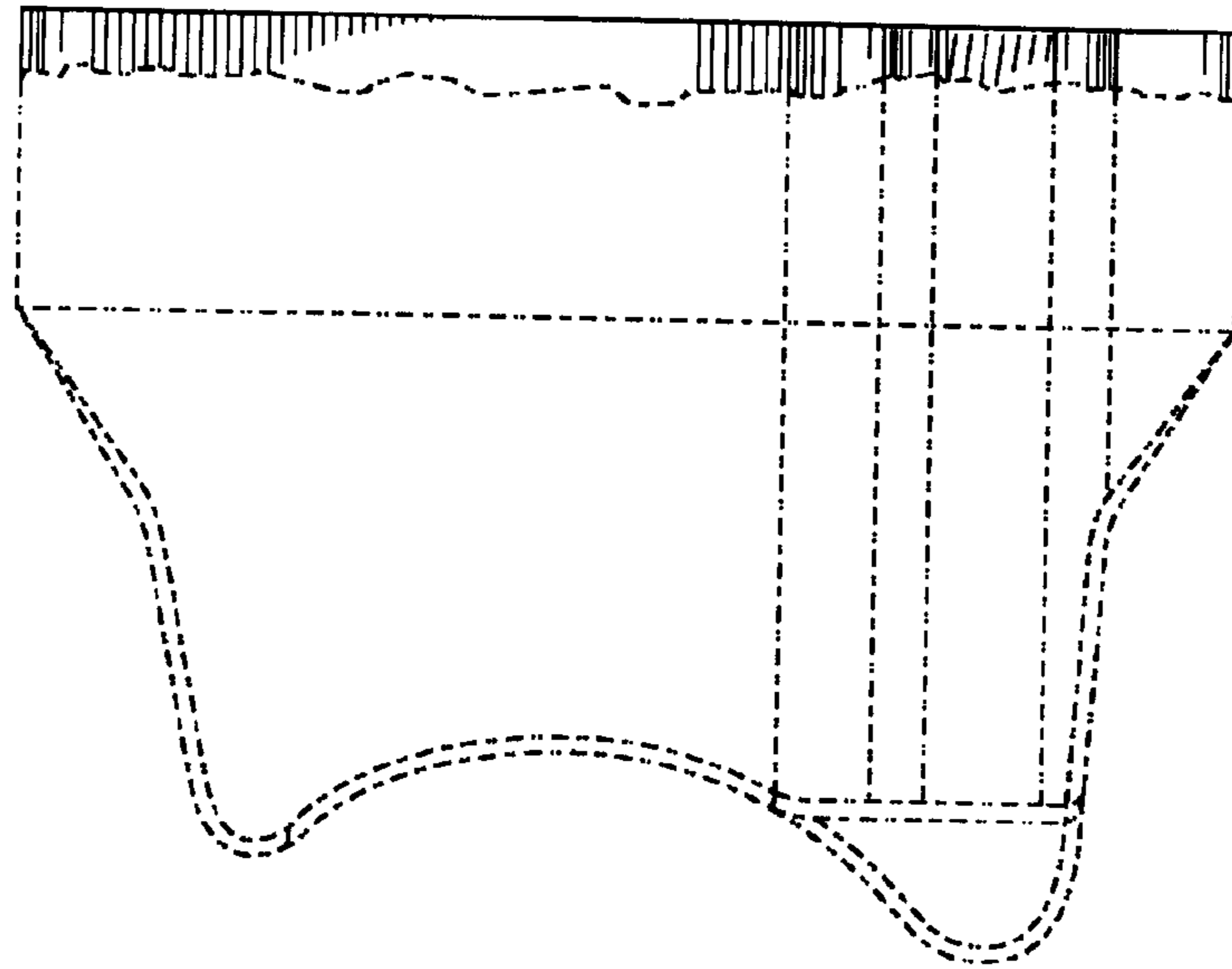


FIG. 4

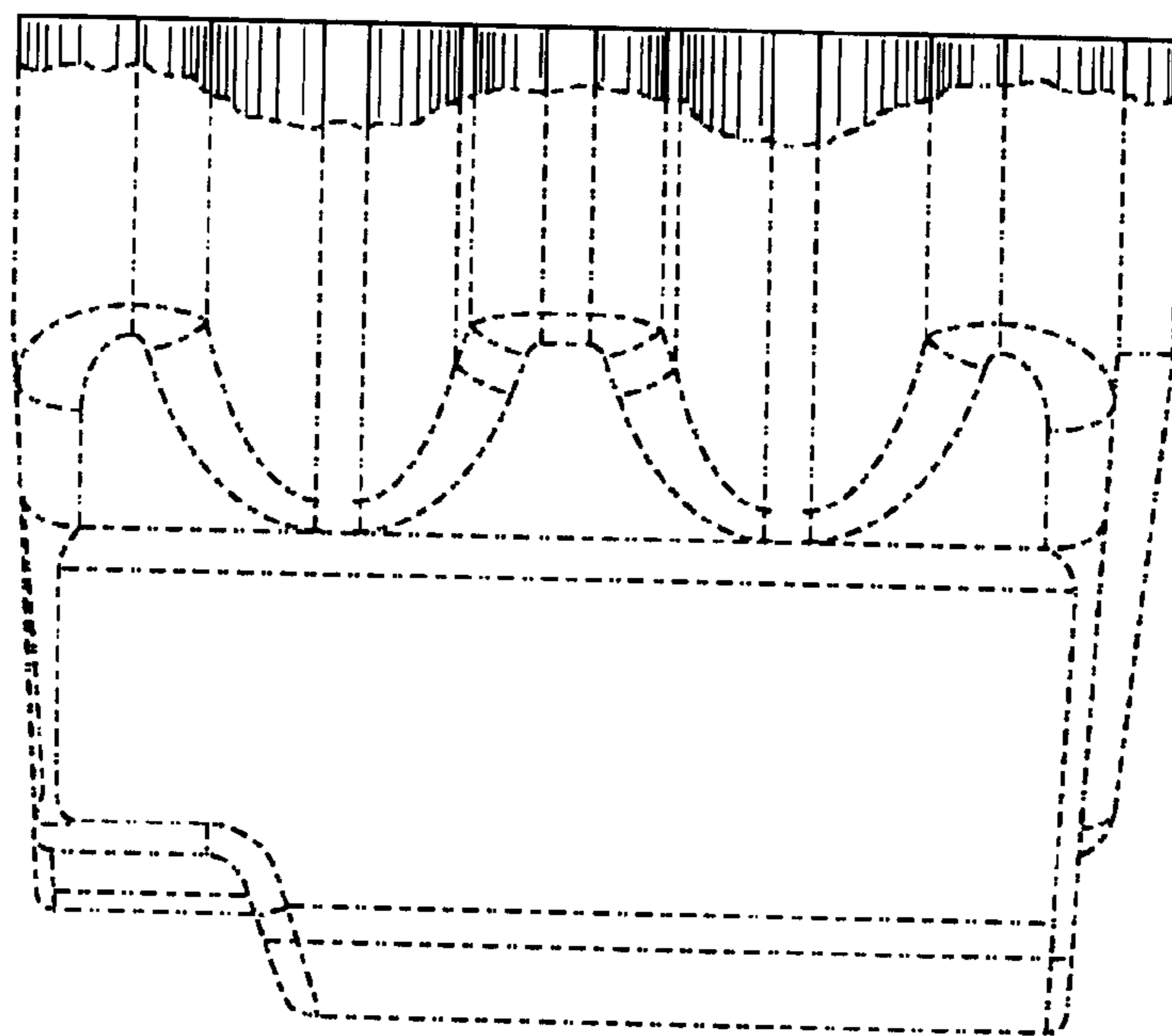


FIG. 5

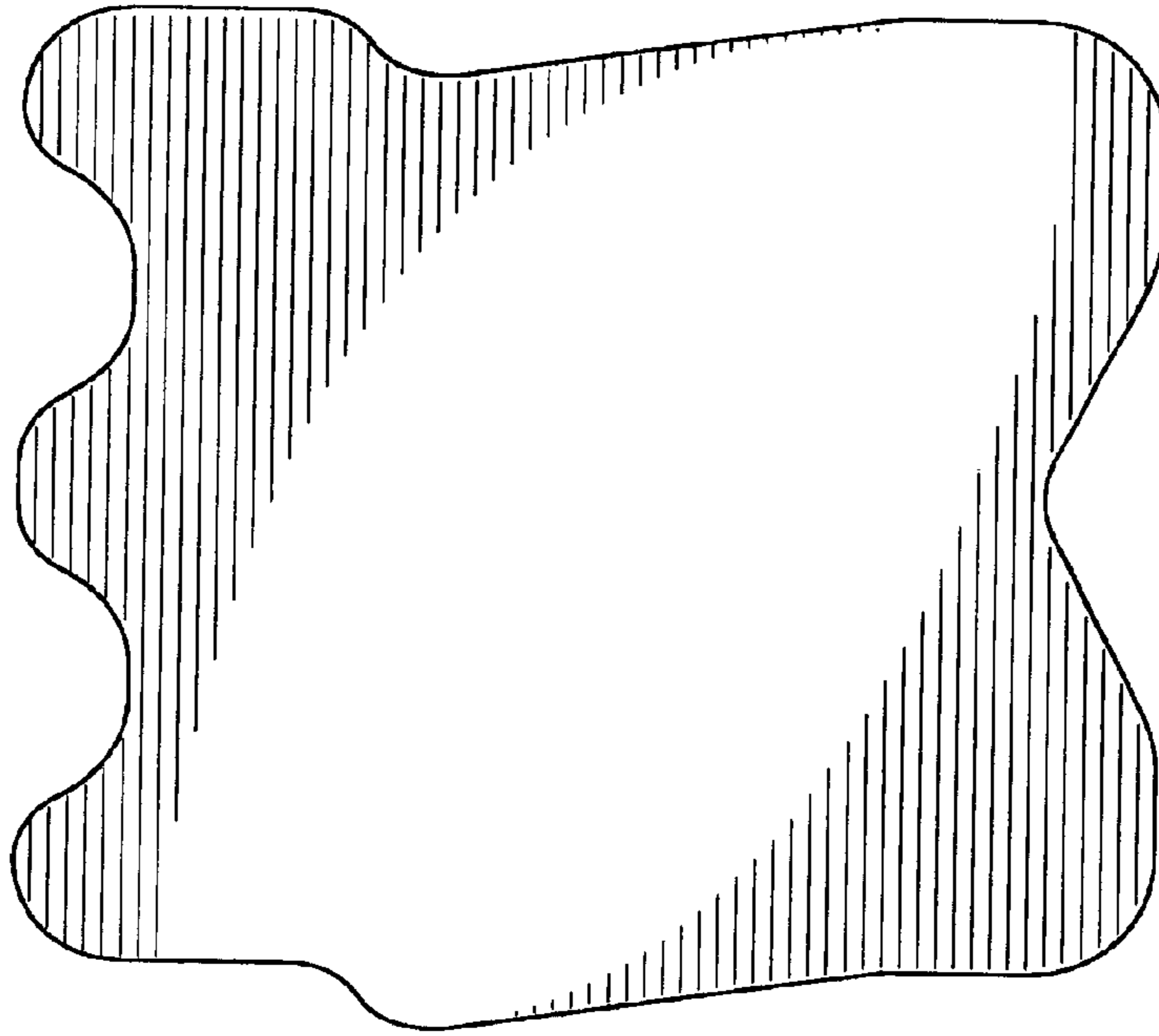


FIG. 6

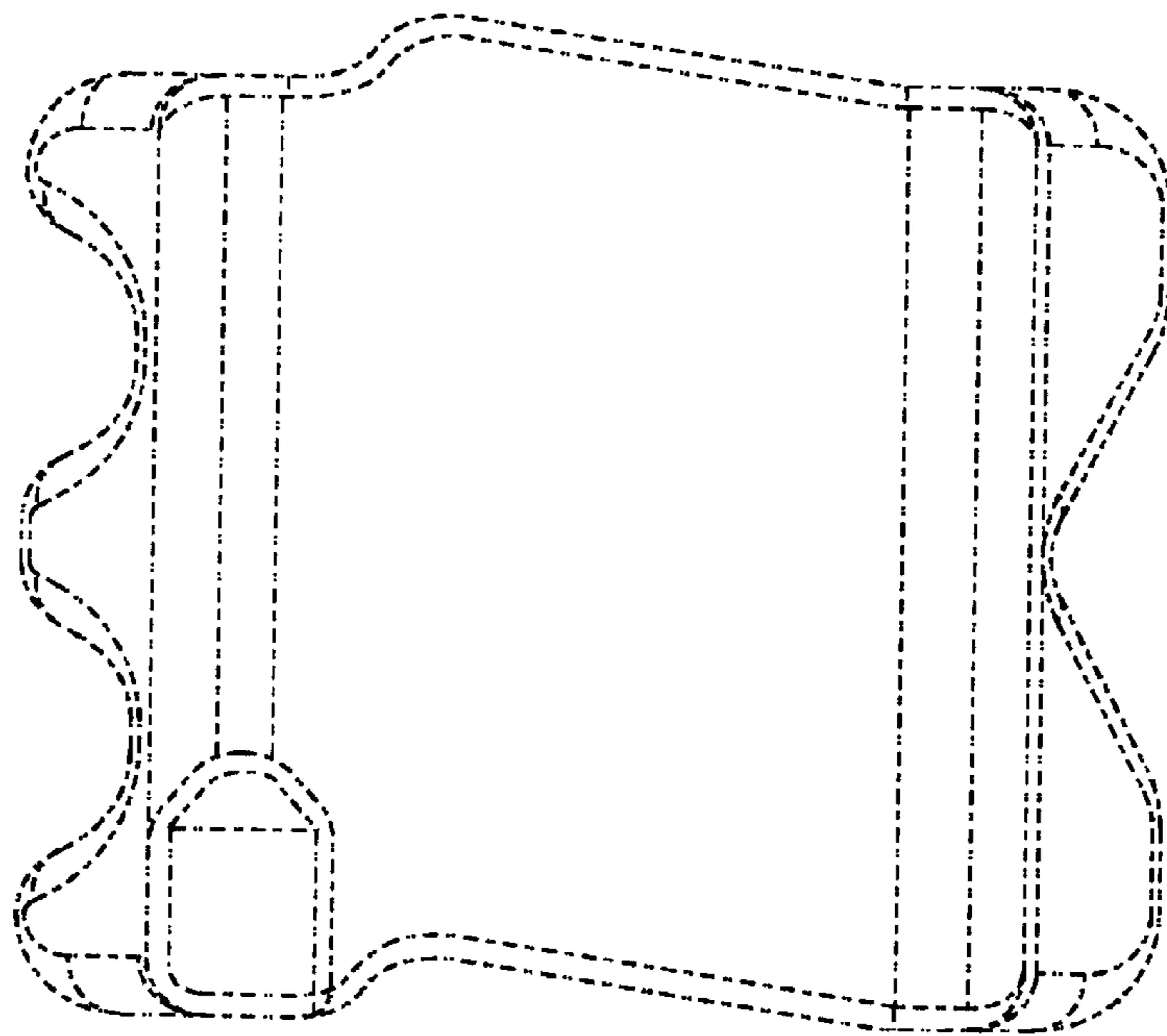


FIG. 7