



US00D540848S

(12) **United States Design Patent** (10) **Patent No.:** **US D540,848 S**
Faber (45) **Date of Patent:** **** Apr. 17, 2007**

(54) **PRINTER STAMP** 2,252,649 A * 8/1941 Smallman 101/333
 D176,581 S * 1/1956 Albert D18/15
 (75) Inventor: **Ernst Faber, Wels (AT)** 3,359,897 A * 12/1967 Harte 101/334
 D232,001 S * 7/1974 Funahashi D18/15
 (73) Assignee: **Colop Stempelerzeugung Skopek** D400,566 S * 11/1998 Schreiberhuber D18/15
GmbH & Co KG, Wels (AT) D417,464 S * 12/1999 Skopek D18/15
 D421,452 S * 3/2000 Pichler D18/15

(**) Term: **14 Years**

FOREIGN PATENT DOCUMENTS

(21) Appl. No.: **29/251,784**

GB 2072572 * 2/1998

(22) Filed: **Jan. 11, 2006**

* cited by examiner

(30) **Foreign Application Priority Data**

Primary Examiner—Charles A. Rademaker
(74) *Attorney, Agent, or Firm*—Abelman, Frayne & Schwab

Jul. 13, 2005 (AT) MU 699/2005

(51) **LOC (8) Cl.** **19-02**

(57) **CLAIM**

(52) **U.S. Cl.** **D18/15**

(58) **Field of Classification Search** D18/15–18,
D18/50; 101/333–334, 327, 405, 406, 328,
101/352.07; 118/264, 268

The ornamental design for a printer stamp, as shown and described.

See application file for complete search history.

DESCRIPTION

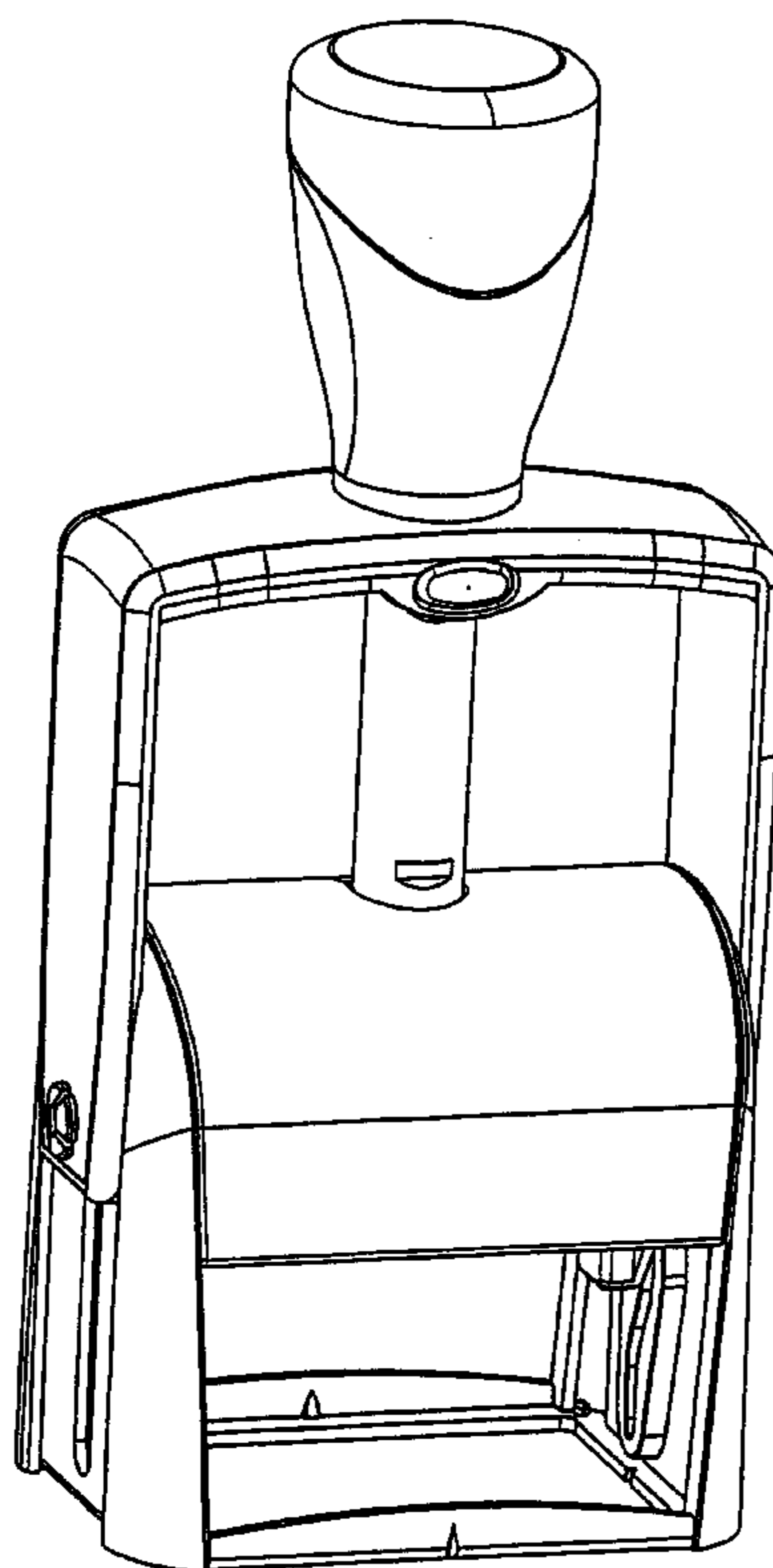
(56) **References Cited**

FIG. 1 is a perspective view showing my new design for printer stamp;
FIG. 2 is a front view thereof;
FIG. 3 is a back view thereof;
FIG. 4 is a left side view thereof;
FIG. 5 is a right side view thereof;
FIG. 6 is a top view thereof; and,
FIG. 7 is a bottom view thereof.

U.S. PATENT DOCUMENTS

284,243 A * 9/1883 Scotford 101/334
 346,690 A * 8/1886 Scotford 101/334
 427,916 A * 5/1890 Scotford 101/334
 1,345,255 A * 6/1920 Rushworth 101/334
 D101,469 S * 10/1936 Melind D18/15
 2,075,169 A * 3/1937 Brown 101/333

1 Claim, 7 Drawing Sheets



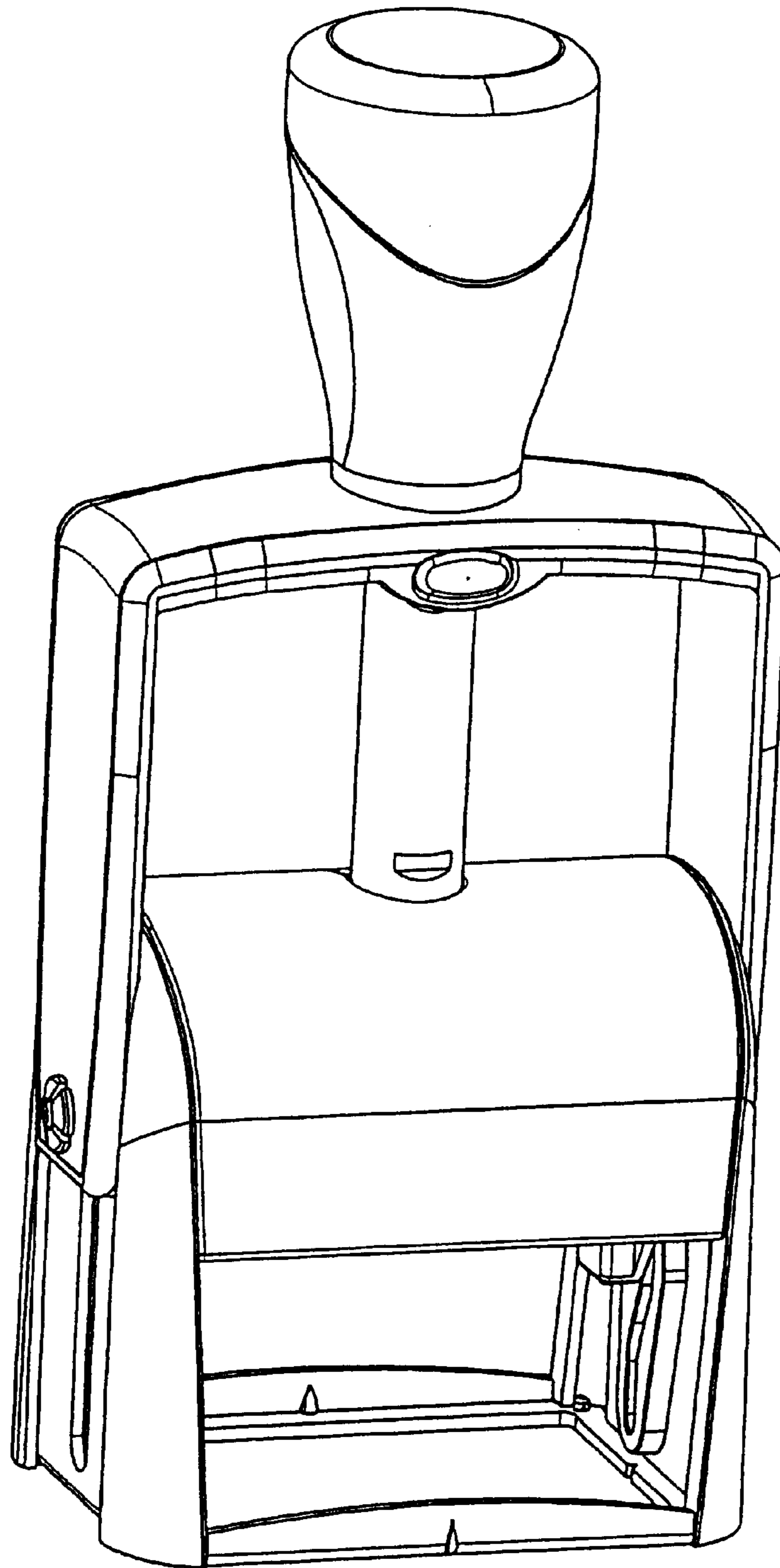


FIG. 1

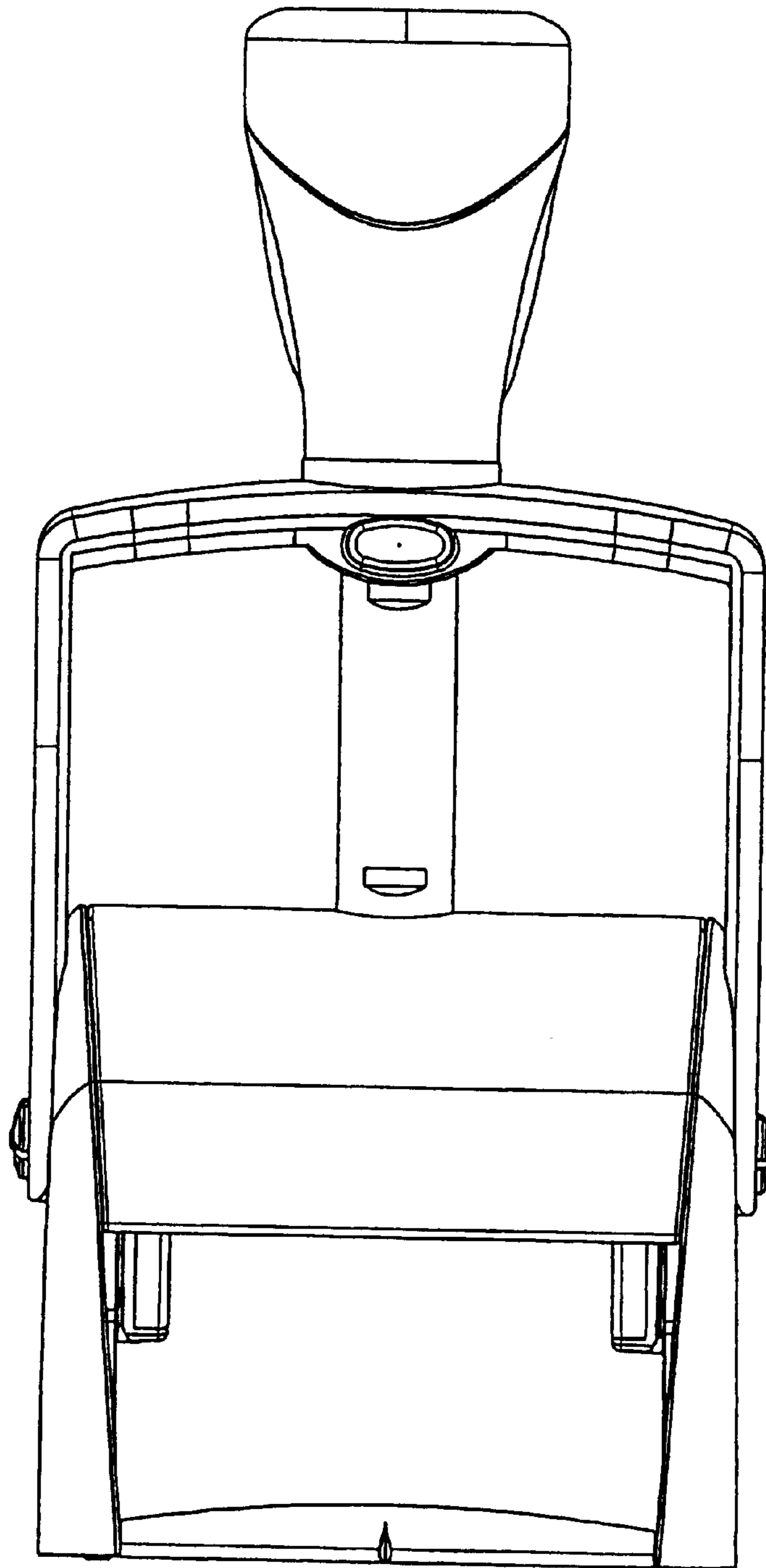


FIG. 2

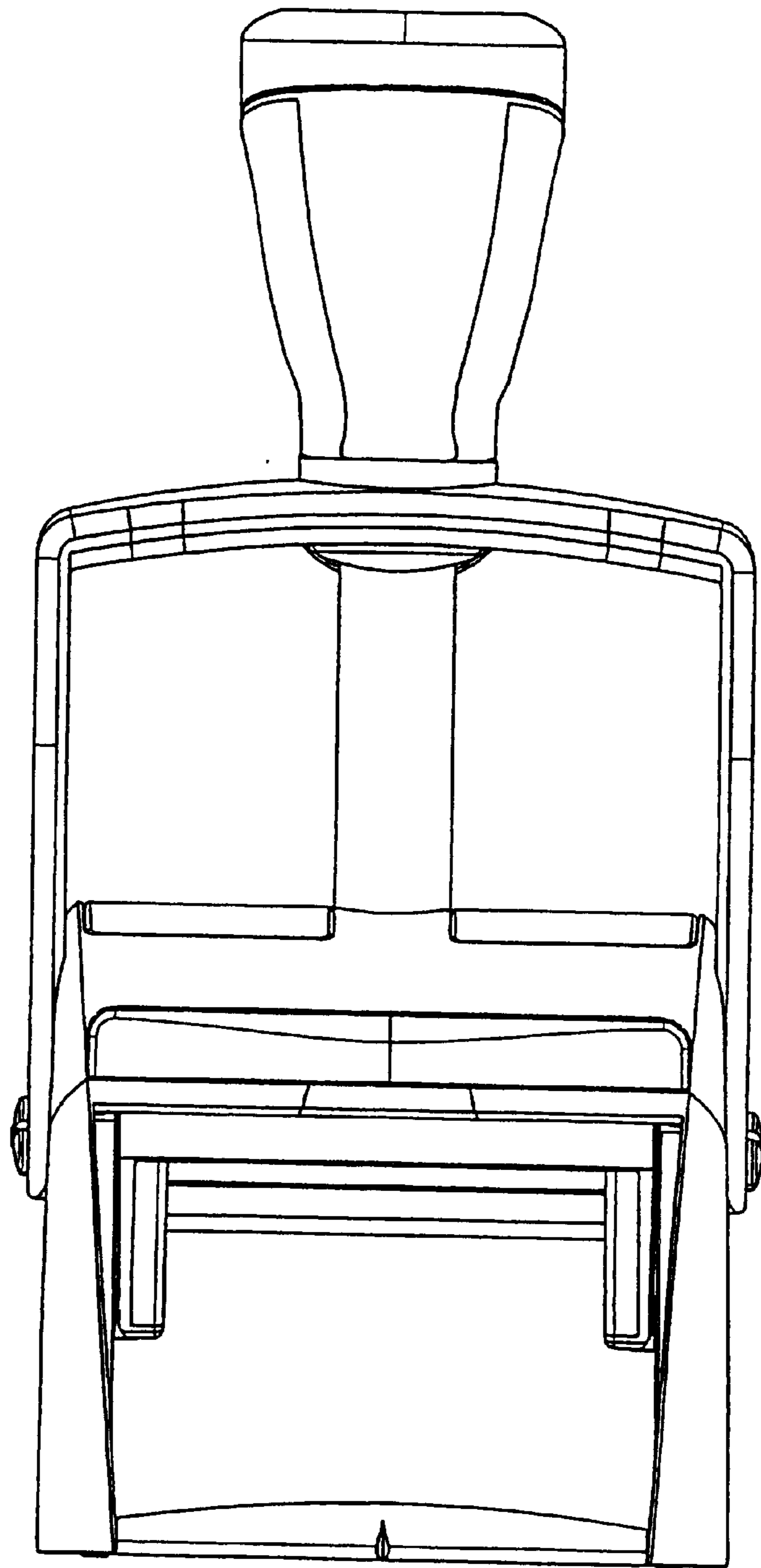


FIG. 3

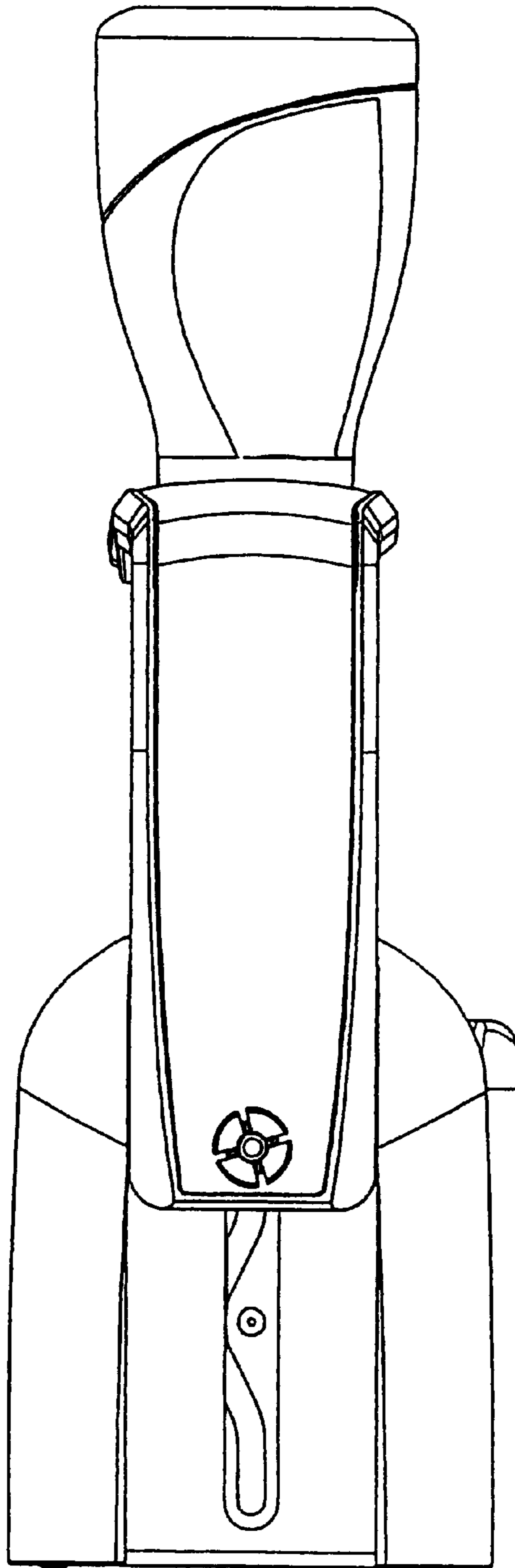


FIG. 4

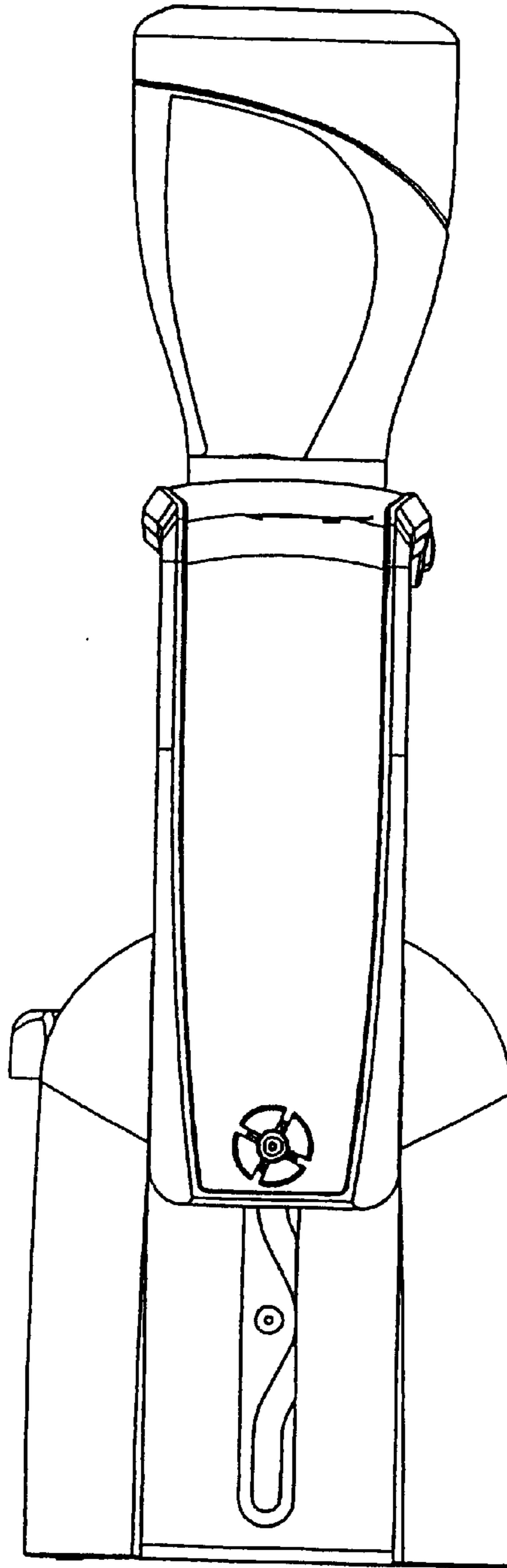


FIG. 5

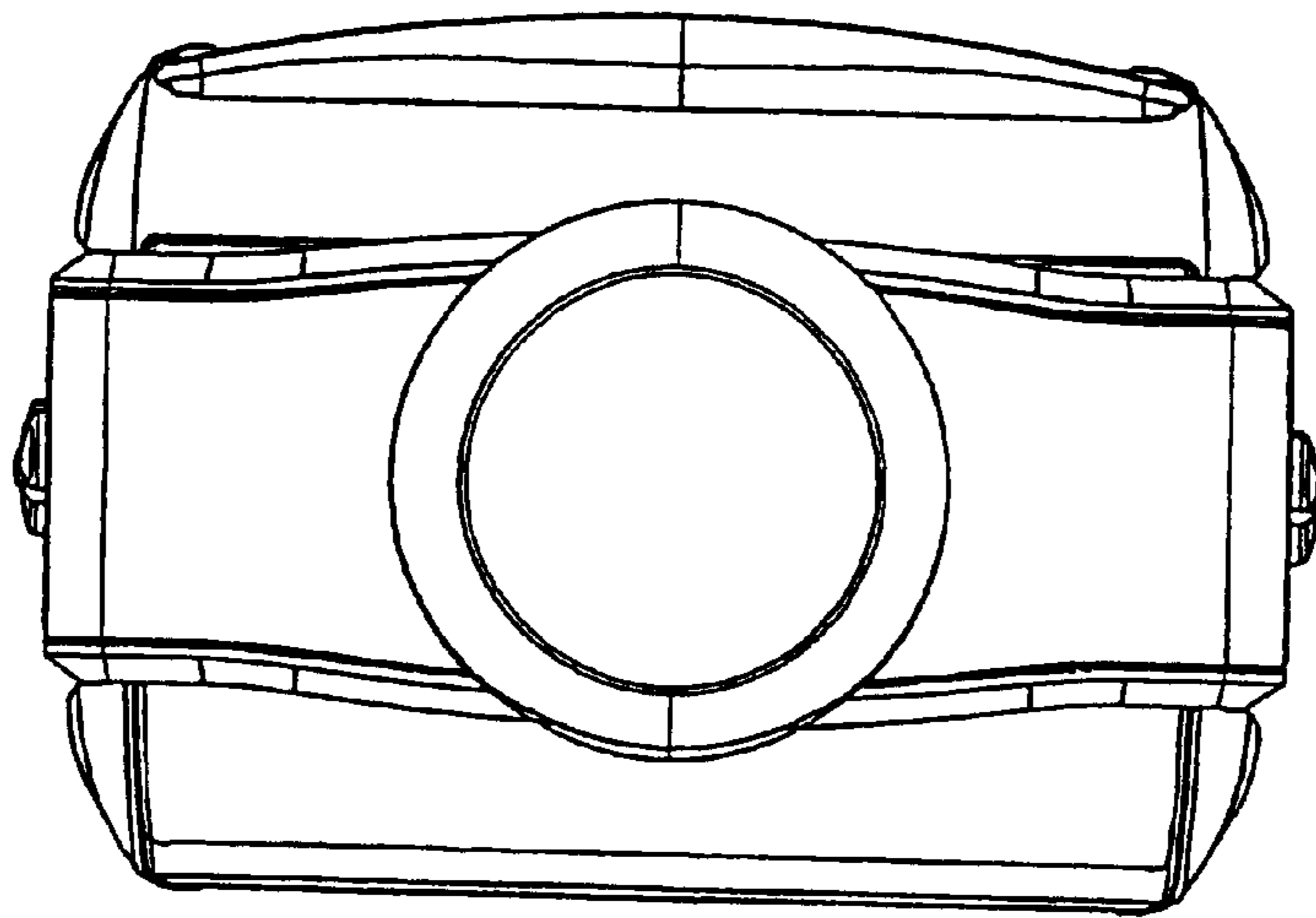


FIG. 6

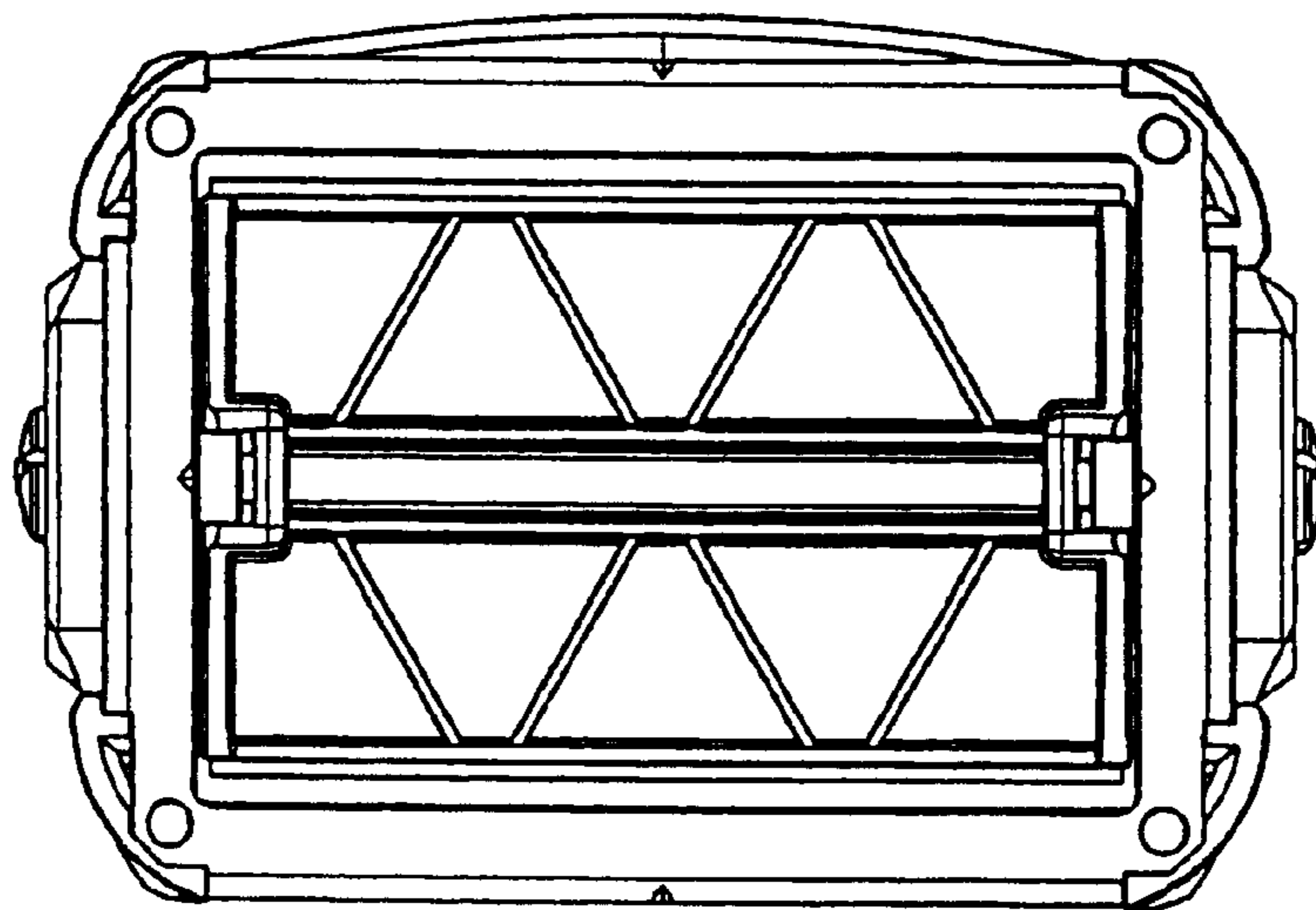


FIG. 7