



US00D540842S

(12) **United States Design Patent**  
**Yamakawa**

(10) **Patent No.:** **US D540,842 S**

(45) **Date of Patent:** **\*\* Apr. 17, 2007**

(54) **SURVEILLANCE CAMERA LENS**

(75) Inventor: **Yasuki Yamakawa**, Yokosuka (JP)

(73) Assignee: **Matsushita Electric Industrial Co., Ltd.**, Osaka (JP)

(\*\*) Term: **14 Years**

(21) Appl. No.: **29/240,928**

(22) Filed: **Oct. 20, 2005**

(30) **Foreign Application Priority Data**

Jul. 28, 2005 (JP) ..... 2005-021924

(51) **LOC (8) Cl.** ..... **16-05**

(52) **U.S. Cl.** ..... **D16/219; D16/203; D16/134**

(58) **Field of Classification Search** ..... D16/134,  
D16/136, 200-205, 208, 218, 219; 348/143,  
348/151, 373-376; 359/815, 519, 826-828;  
396/419, 427, 529-532, 535-541, 544

See application file for complete search history.

(56) **References Cited**

**U.S. PATENT DOCUMENTS**

- 4,063,264 A \* 12/1977 Ando et al. .... 396/531
- 4,352,548 A \* 10/1982 Toyoda ..... 396/529
- 4,391,488 A \* 7/1983 Ishizaka et al. .... 359/827
- 4,485,407 A 11/1984 Böhm et al.
- D277,961 S \* 3/1985 Shimizu et al. .... D16/202
- D339,598 S \* 9/1993 Shimizu ..... D16/203
- D362,007 S \* 9/1995 Takahashi ..... D16/219

- D366,271 S 1/1996 Hasegawa
- 5,790,910 A \* 8/1998 Haskin ..... 396/427
- D410,936 S 6/1999 Isono
- D472,913 S 4/2003 Rupe
- D489,744 S 5/2004 Muto
- 6,830,387 B2 \* 12/2004 Rife ..... 348/151
- D509,234 S \* 9/2005 Muto et al. .... D16/203

\* cited by examiner

*Primary Examiner*—Adir Aronovich

(74) *Attorney, Agent, or Firm*—Brinks Hofer Gilson & Lione

(57) **CLAIM**

I claim the ornamental design for a surveillance camera lens, as shown and described.

**DESCRIPTION**

FIG. 1 is a top, front and left side perspective view of a surveillance camera lens of the present invention; FIG. 2 is a front view thereof; FIG. 3 is a right side view thereof; FIG. 4 is a left side view thereof; FIG. 5 is a top view thereof; and, FIG. 6 is a bottom view thereof.

The rear view has been omitted and forms no part of the claimed design.

The ornamental design which is claimed is shown in solid lines in the drawings. Any broken lines in the drawings are for illustrative purposes only and form no part of the claimed design.

**1 Claim, 4 Drawing Sheets**

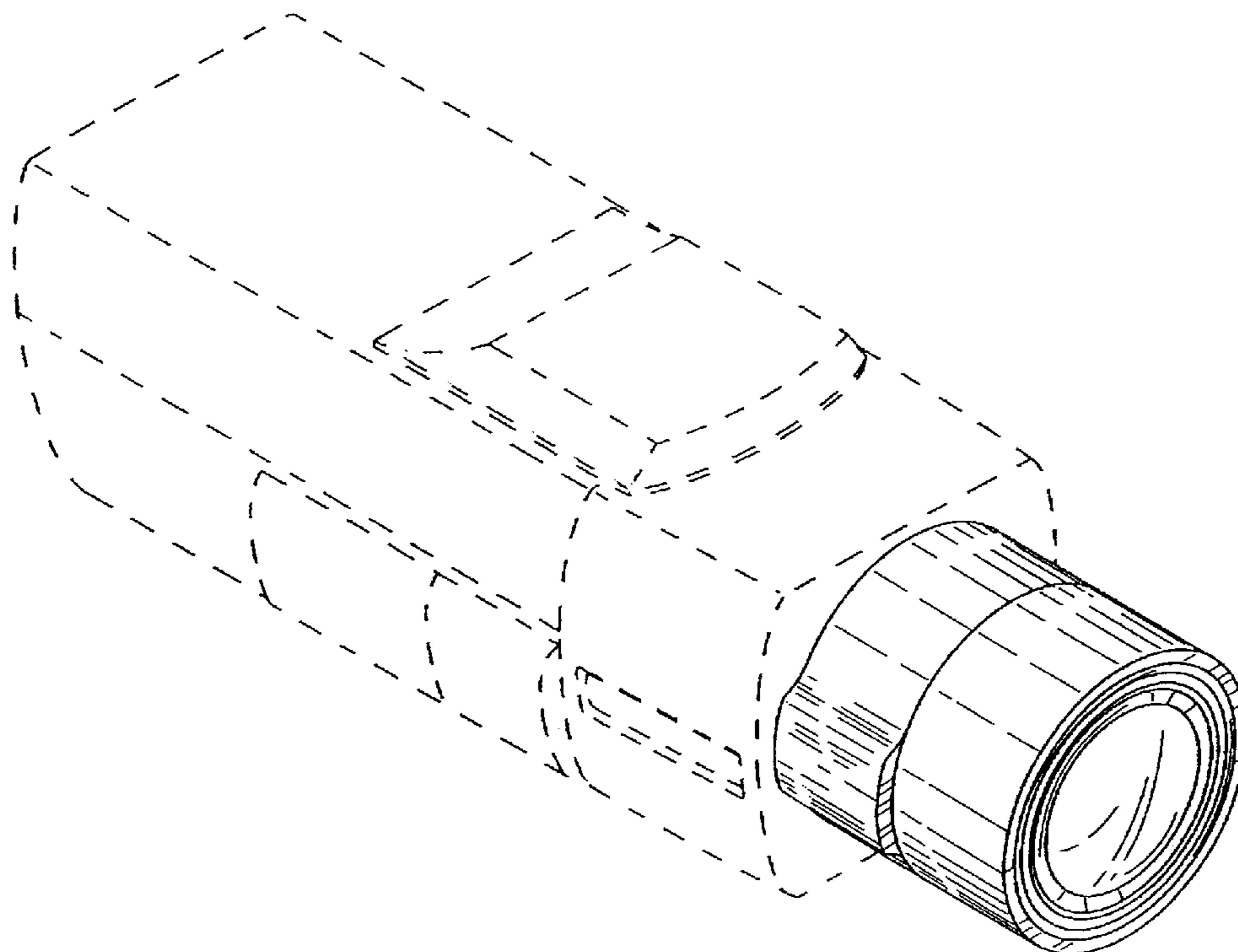


FIG. 1

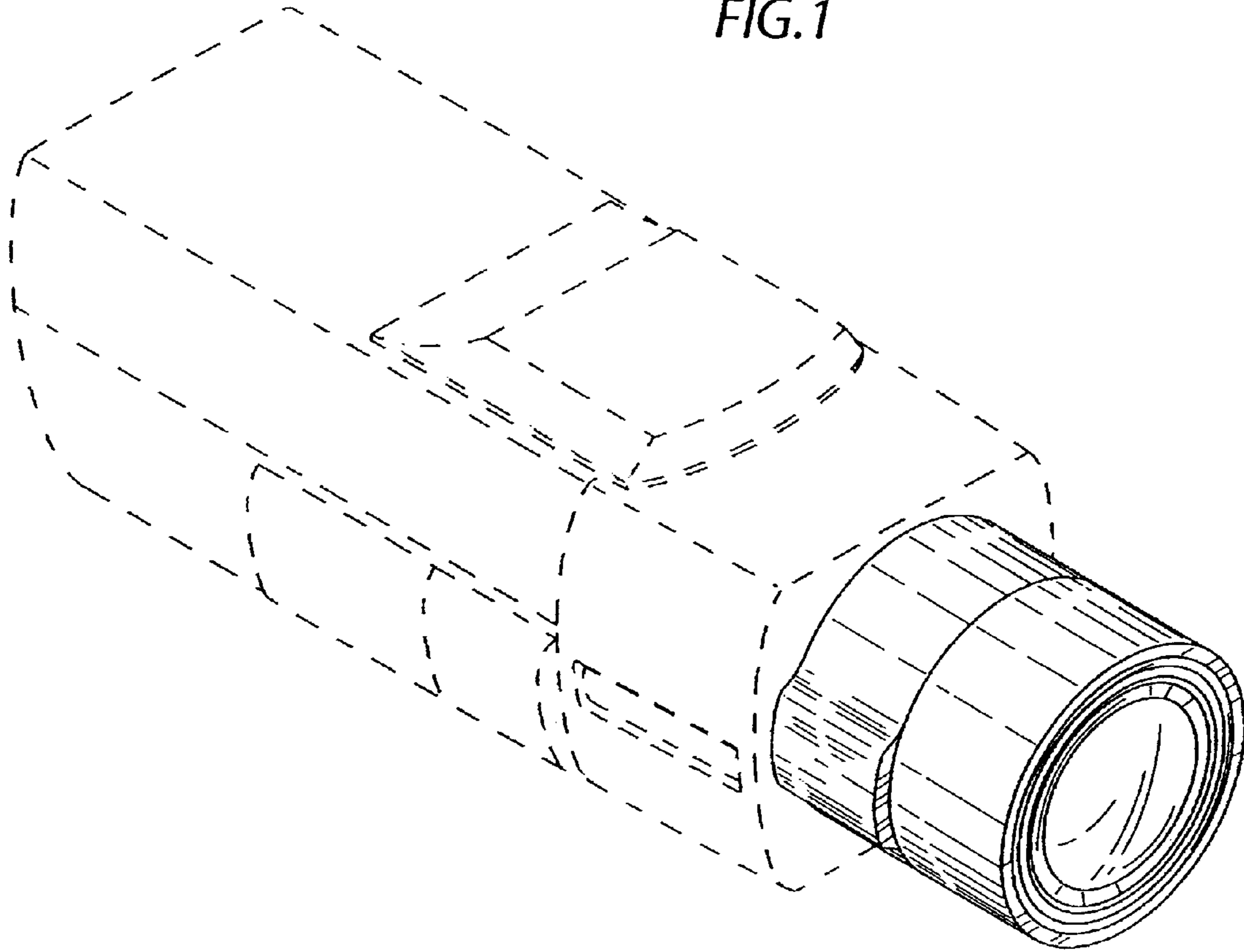


FIG. 2

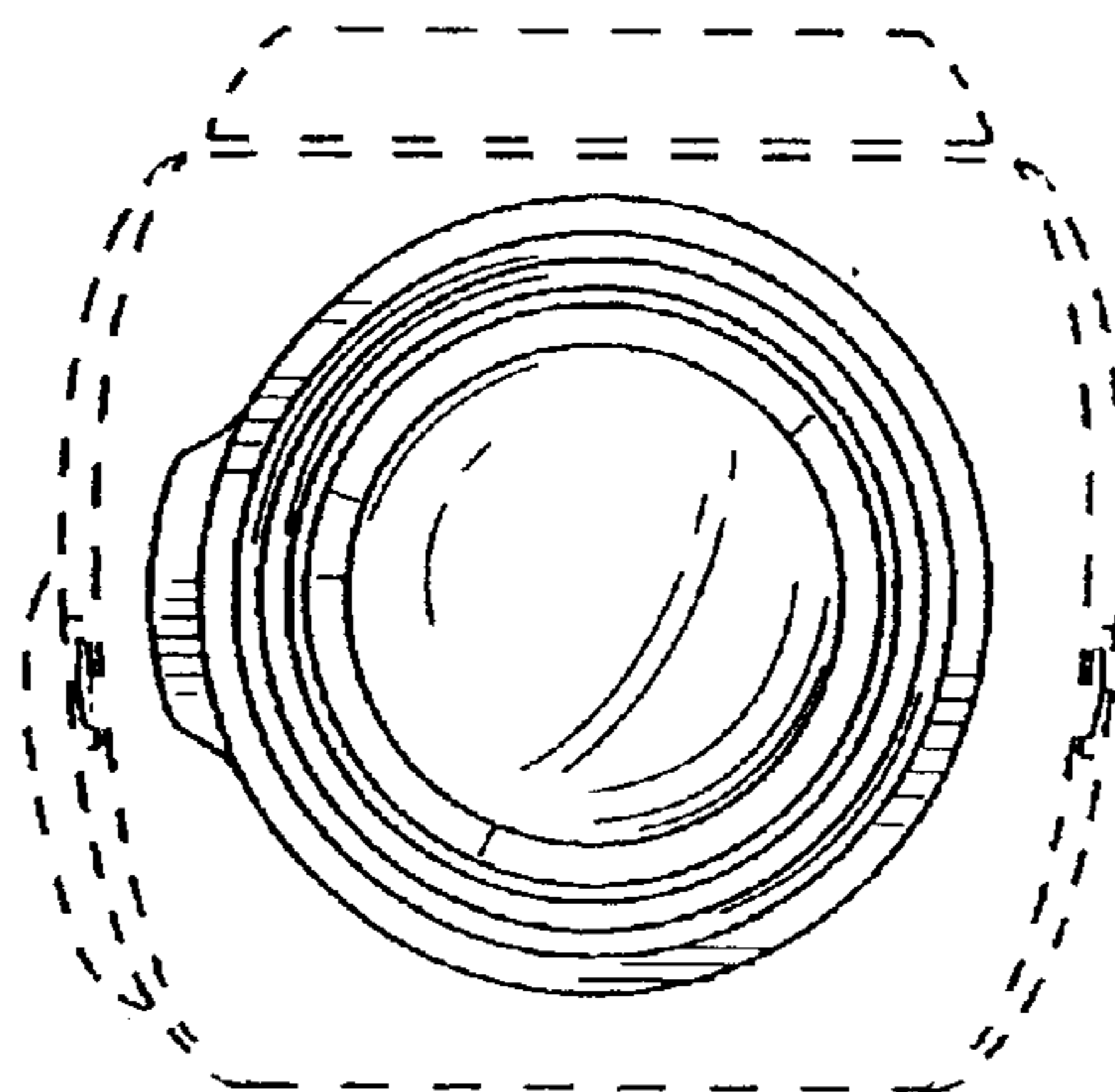


FIG.3

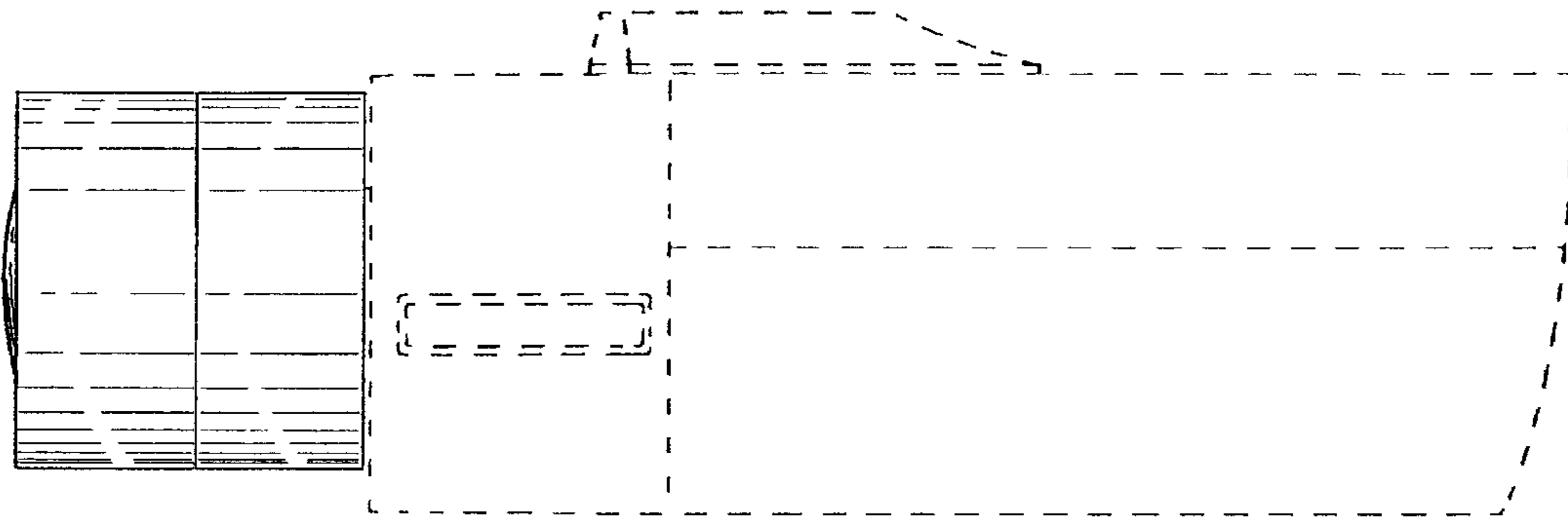


FIG.4

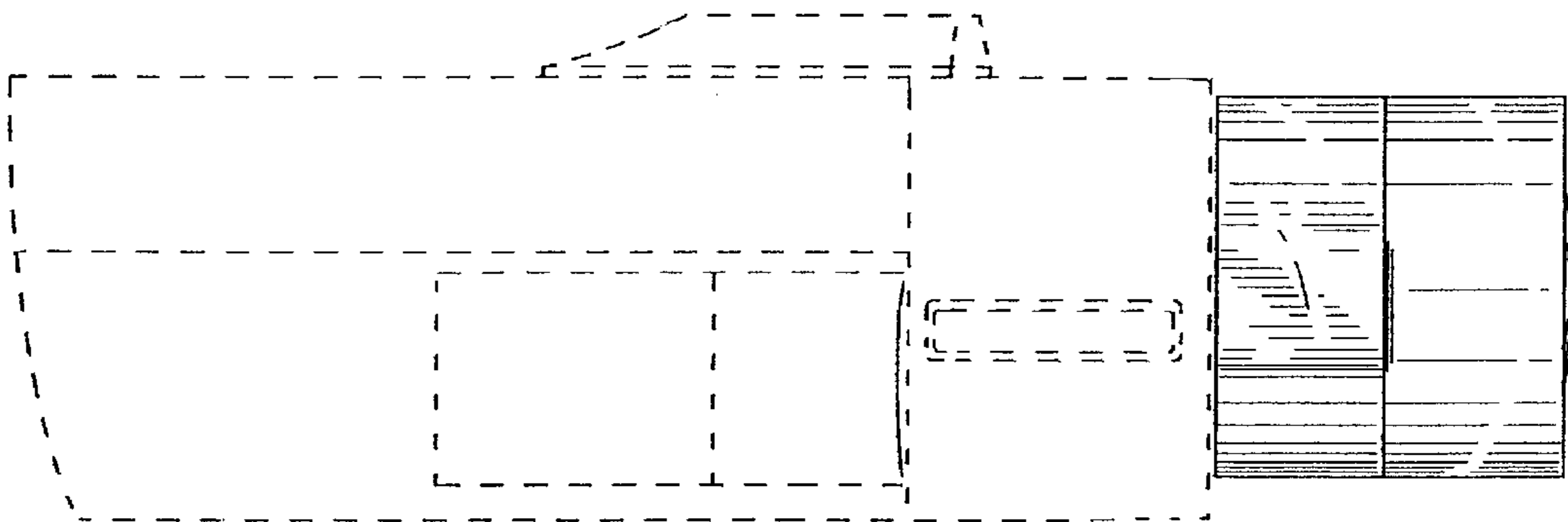


FIG.5

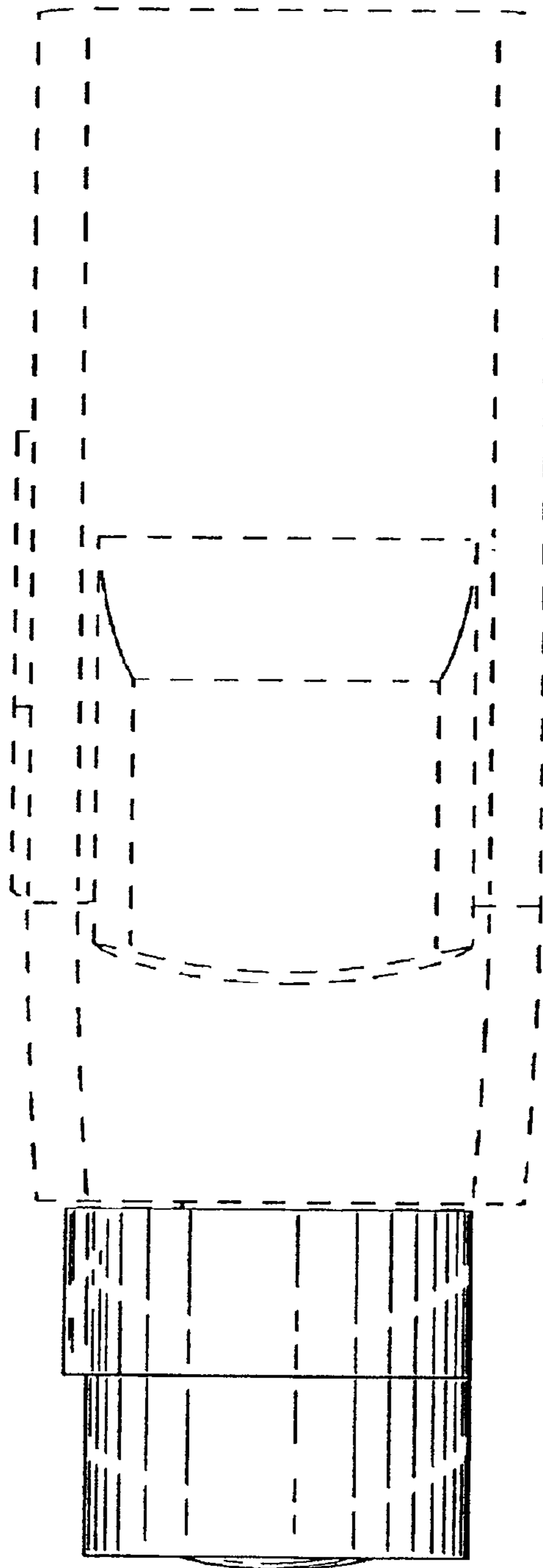


FIG.6

