

US00D540841S

(12) **United States Design Patent**  
**Yamagishi**

(10) **Patent No.:** **US D540,841 S**

(45) **Date of Patent:** **\*\* Apr. 17, 2007**

(54) **CAMERA HOUSING**

(75) Inventor: **Asami Yamagishi**, Tokyo (JP)

(73) Assignee: **Sony Corporation**, Tokyo (JP)

(\*\*) Term: **14 Years**

(21) Appl. No.: **29/236,372**

(22) Filed: **Aug. 16, 2005**

(30) **Foreign Application Priority Data**

Feb. 16, 2005 (JP) ..... D2005-003970

(51) **LOC (8) Cl.** ..... **16-01**

(52) **U.S. Cl.** ..... **D16/219**

(58) **Field of Classification Search** ..... D16/200–205,  
D16/208, 218, 219; 348/373–376; 358/909.1;  
396/6, 535, 536–541

See application file for complete search history.

(56) **References Cited**

**U.S. PATENT DOCUMENTS**

D416,270 S	11/1999	Harata	
D450,735 S	* 11/2001	Teng et al.	D16/202
D453,177 S	1/2002	Uehara	
D466,539 S	* 12/2002	Suzuki et al.	D16/202
D483,049 S	* 12/2003	Hsieh	D16/202
D492,953 S	* 7/2004	Mitsuse	D16/219

D494,990 S	* 8/2004	Su et al.	D16/202
6,816,672 B2	* 11/2004	Mikami et al.	396/6
D501,496 S	* 2/2005	Sadatsuki	D16/218
6,862,406 B2	* 3/2005	Franco Kai Chung	396/6
D516,601 S	* 3/2006	Ishii	D16/202
D521,039 S	* 5/2006	Kurimoto et al.	D16/202

\* cited by examiner

*Primary Examiner*—Adir Aronovich

(74) *Attorney, Agent, or Firm*—Rader, Fishman & Grauer PLLC

(57) **CLAIM**

The ornamental design for a camera housing, as shown and described.

**DESCRIPTION**

FIG. 1 is a perspective view of a camera housing showing my new design;

FIG. 2 is a front elevational view thereof;

FIG. 3 is a left side elevational view thereof;

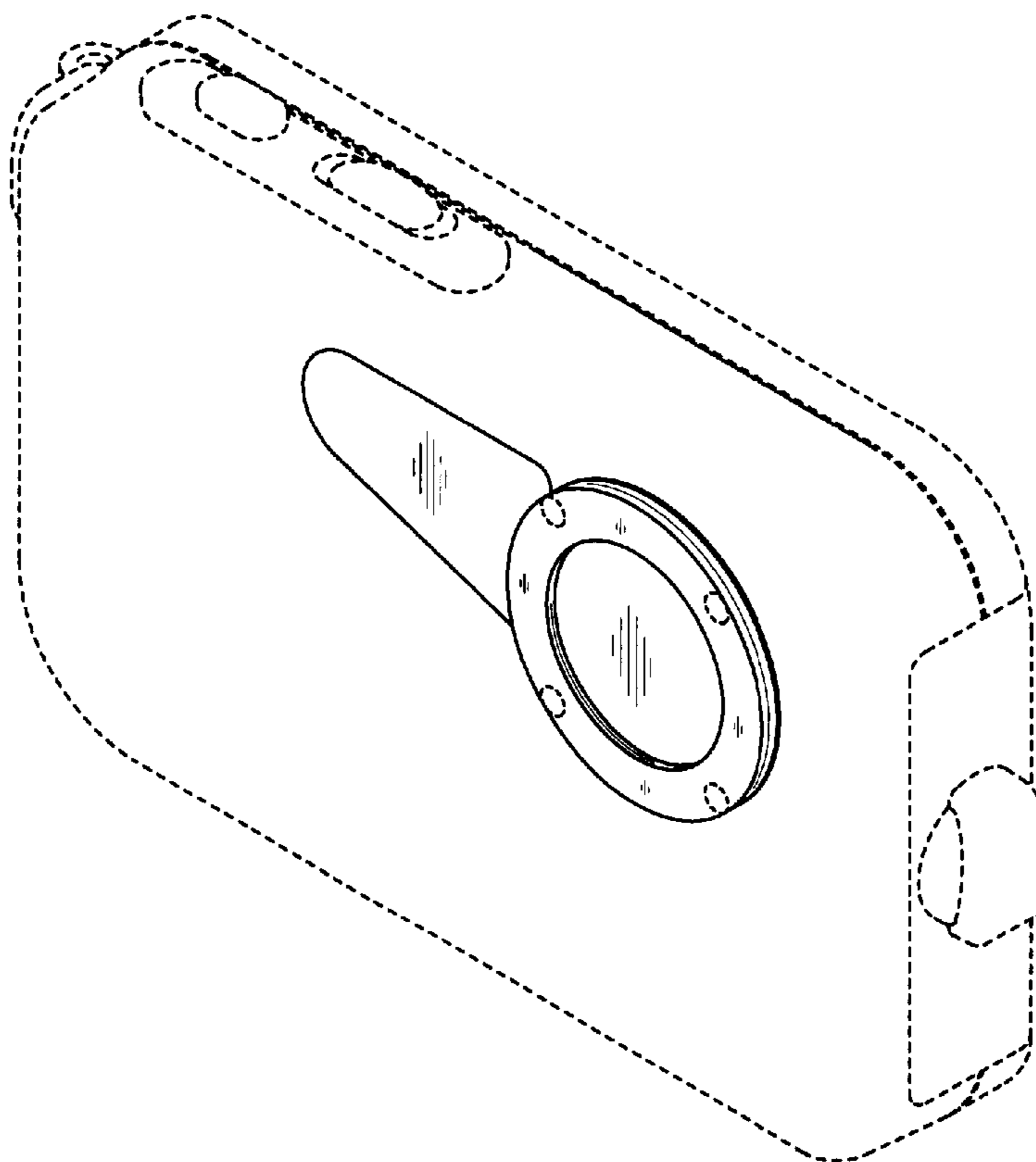
FIG. 4 is a right side elevational view thereof;

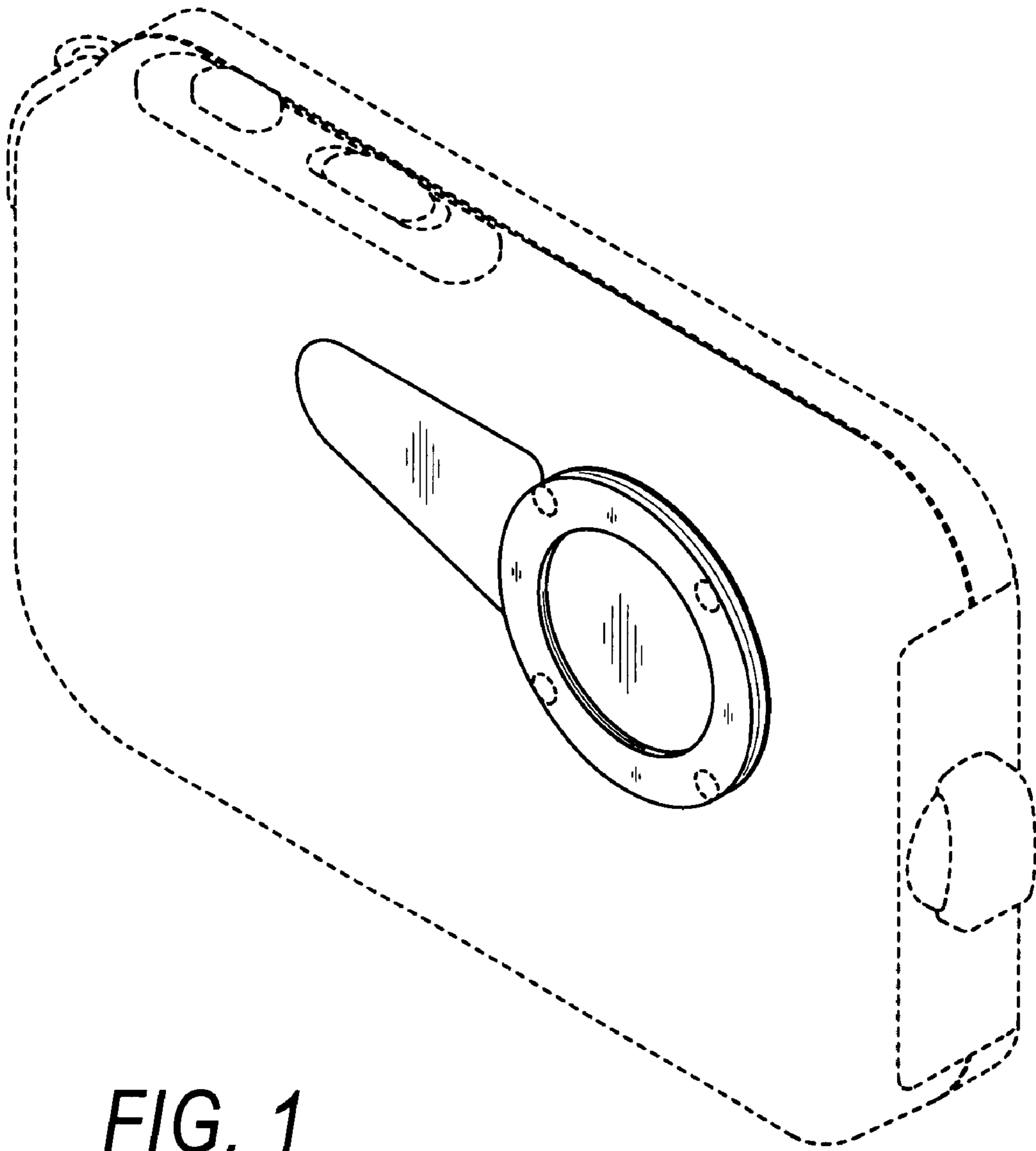
FIG. 5 is a top plan view thereof; and,

FIG. 6 is a bottom plan view thereof.

The portions of the camera housing in broken lines in FIGS. 1–6 are shown for illustrative purposes only and form no part of the claimed design.

**1 Claim, 6 Drawing Sheets**





**FIG. 1**

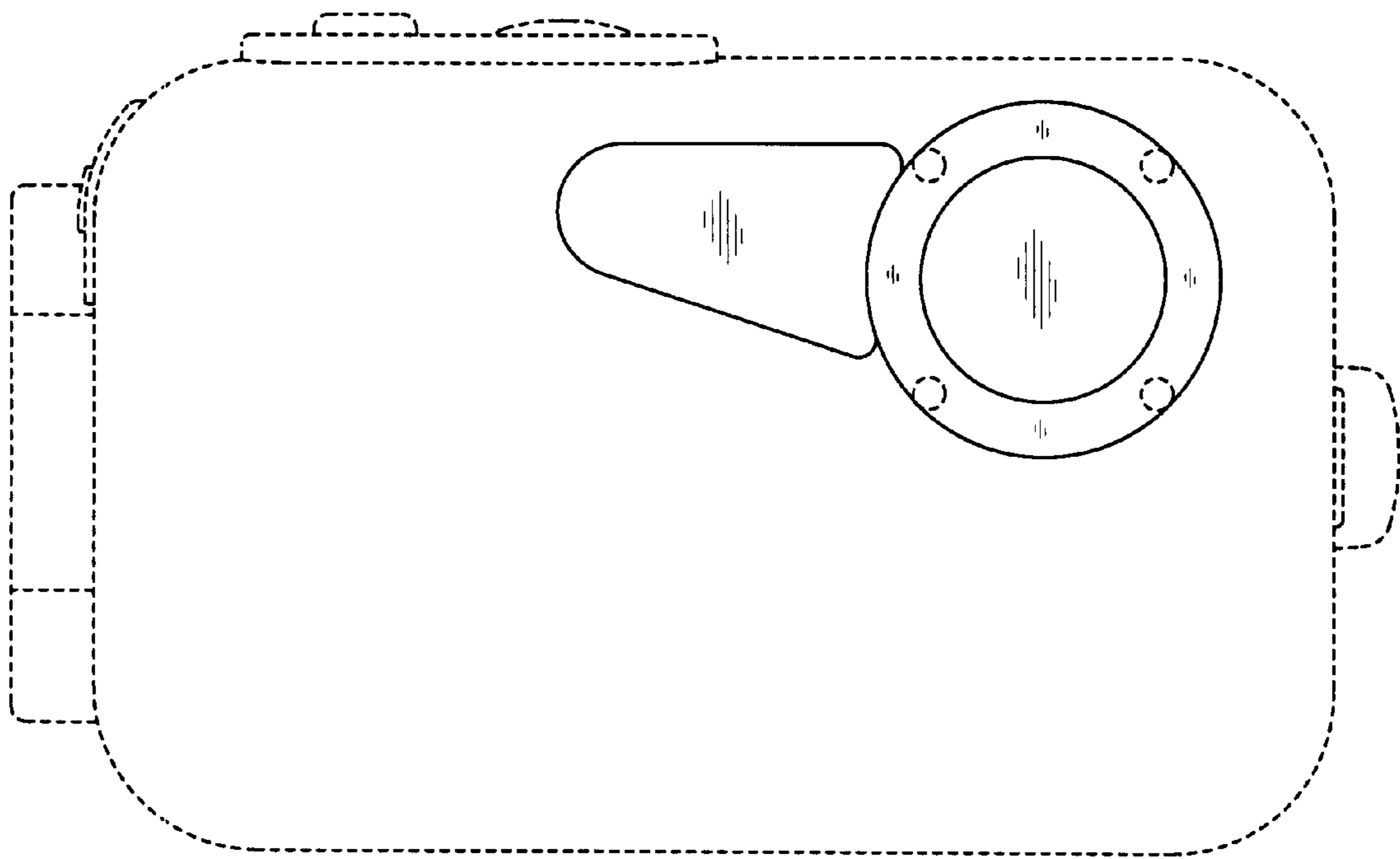
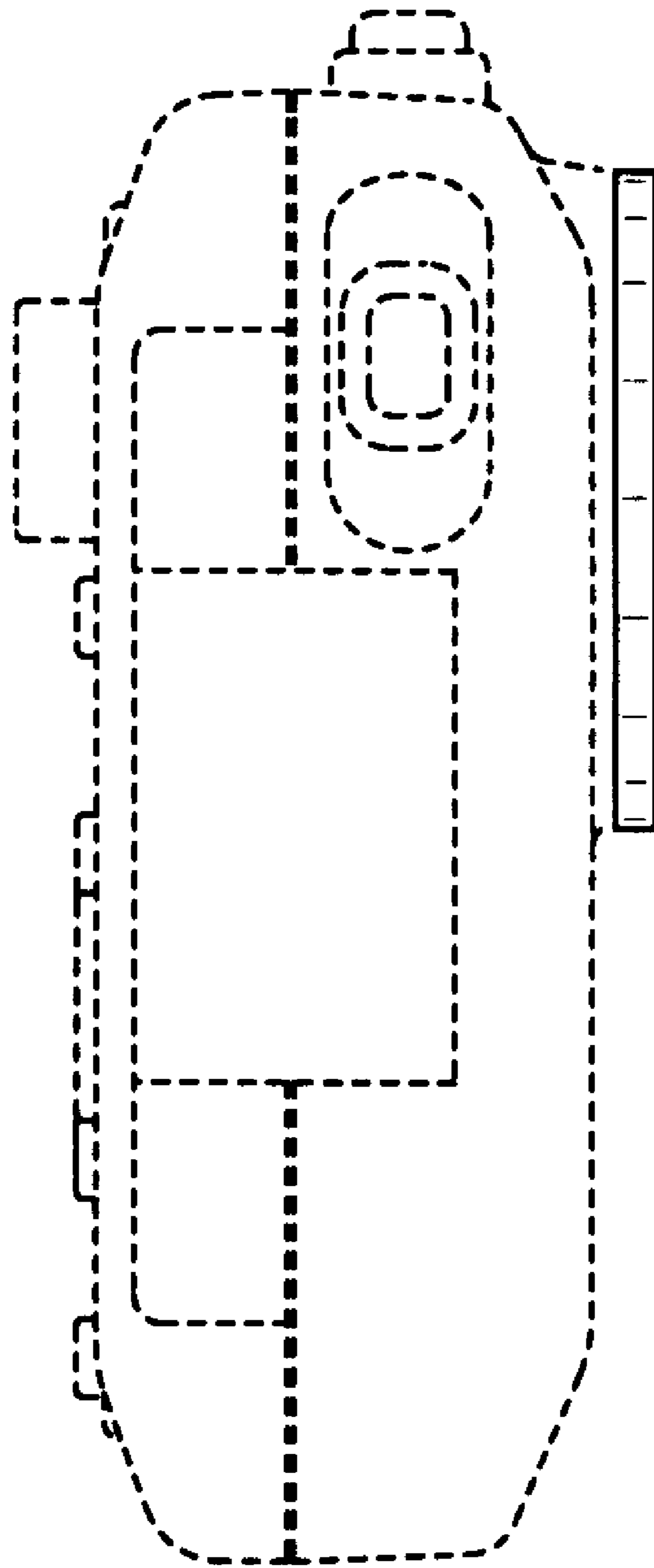
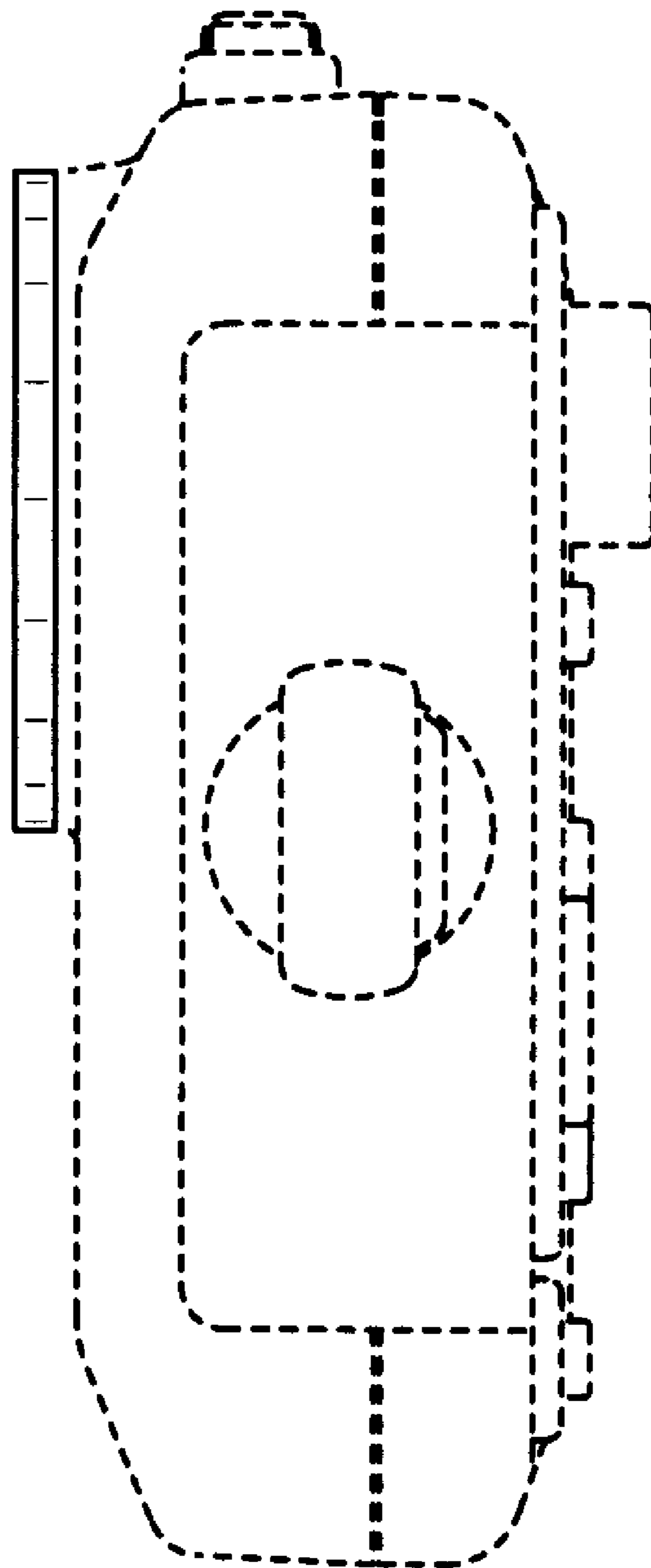


FIG. 2



**FIG. 3**



**FIG. 4**

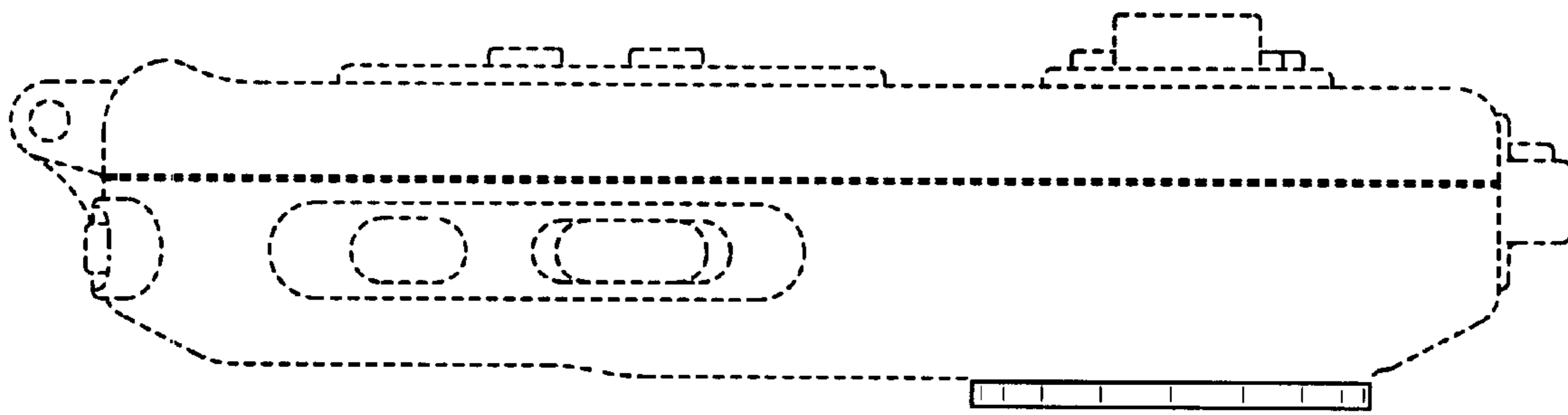


FIG. 5

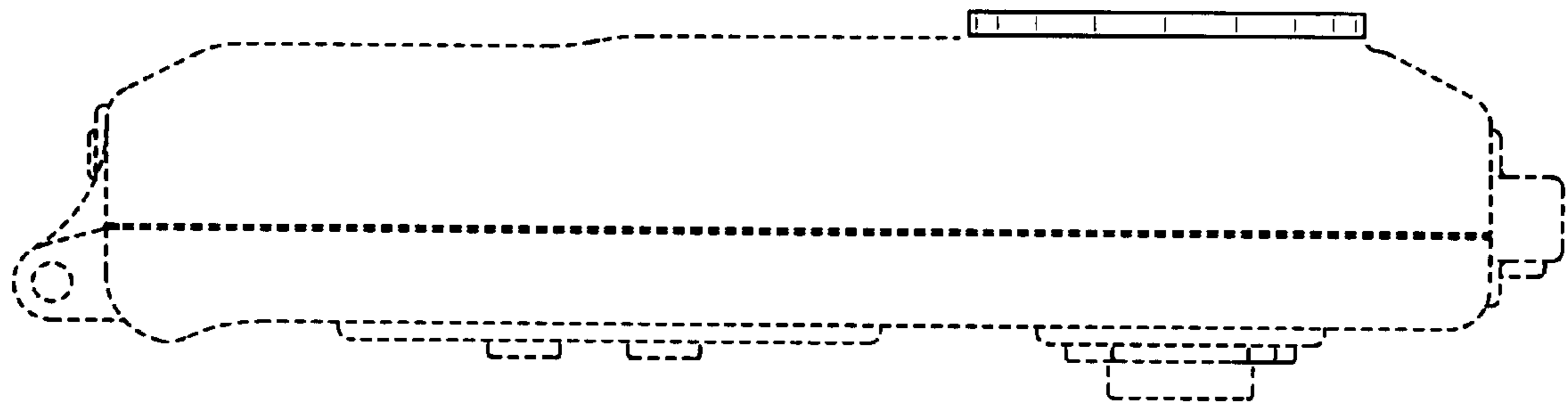


FIG. 6