

US00D540840S

(12) **United States Design Patent**  
**Nishiwaki**

(10) **Patent No.:** **US D540,840 S**  
(45) **Date of Patent:** **\*\* Apr. 17, 2007**

(54) **CAMCORDER**

FOREIGN PATENT DOCUMENTS

(75) Inventor: **Kenji Nishiwaki**, Saijo (JP)  
(73) Assignee: **Matsushita Electric Industrial Co., Ltd.**, Osaka (JP)  
(\*\*) Term: **14 Years**

JP	D1098408	1/2001
JP	D1148210	7/2002
JP	D1149265	8/2002
JP	D1182522	8/2003
JP	D1182523	8/2003
JP	D1182689	8/2003
JP	D1192950	12/2003
JP	D1196437	2/2004
JP	D1212597	7/2004
JP	D1214081	8/2004

(21) Appl. No.: **29/234,161**  
(22) Filed: **Jul. 14, 2005**

\* cited by examiner

(51) **LOC (8) Cl.** ..... **16-05**  
(52) **U.S. Cl.** ..... **D16/219; D16/202**  
(58) **Field of Classification Search** ..... **D16/200-205,**  
**D16/208, 218, 219; 348/373-376; 358/906;**  
**396/535-541**

*Primary Examiner*—Adir Aronovich  
(74) *Attorney, Agent, or Firm*—Brinks Hofer Gilson & Lione

See application file for complete search history.

(57) **CLAIM**

I claim the ornamental design for a camcorder, as shown and described.

(56) **References Cited**

**DESCRIPTION**

U.S. PATENT DOCUMENTS

D394,075 S	5/1998	Ninomiya et al.	
D406,157 S	2/1999	Goto	
D408,042 S	4/1999	Onoda et al.	
D408,043 S	4/1999	Goto et al.	
D408,428 S	4/1999	Ninomiya et al.	
D410,017 S	5/1999	Goto et al.	
D413,910 S	9/1999	Onoda et al.	
D413,911 S	9/1999	Goto et al.	
D418,852 S	1/2000	Onoda et al.	
D419,169 S	1/2000	Masano	
D423,541 S	* 4/2000	Ohwada	D16/202
D469,793 S	2/2003	Onada et al.	
D469,794 S	2/2003	Onada et al.	
D491,967 S	* 6/2004	Kojima et al.	D16/202
D500,512 S	* 1/2005	Hayashi	D16/208
D505,686 S	* 5/2005	Ikenaga	D16/219
D517,107 S	* 3/2006	Kojima et al.	D16/202
D521,041 S	* 5/2006	Chung et al.	D16/202

FIG. 1 is a front and right side perspective view of a camcorder of the present invention;  
FIG. 2 is a rear and left side perspective view thereof;  
FIG. 3 is a front view thereof;  
FIG. 4 is a right side view thereof;  
FIG. 5 is a rear view thereof;  
FIG. 6 is a left side view thereof.  
FIG. 7 is a top view thereof; and,  
FIG. 8 is a bottom view thereof.

The ornamental design which is claimed is shown in solid lines in the drawings. Any broken lines in the drawings are for illustrative purposes only and form no part of the claimed design.

**1 Claim, 4 Drawing Sheets**

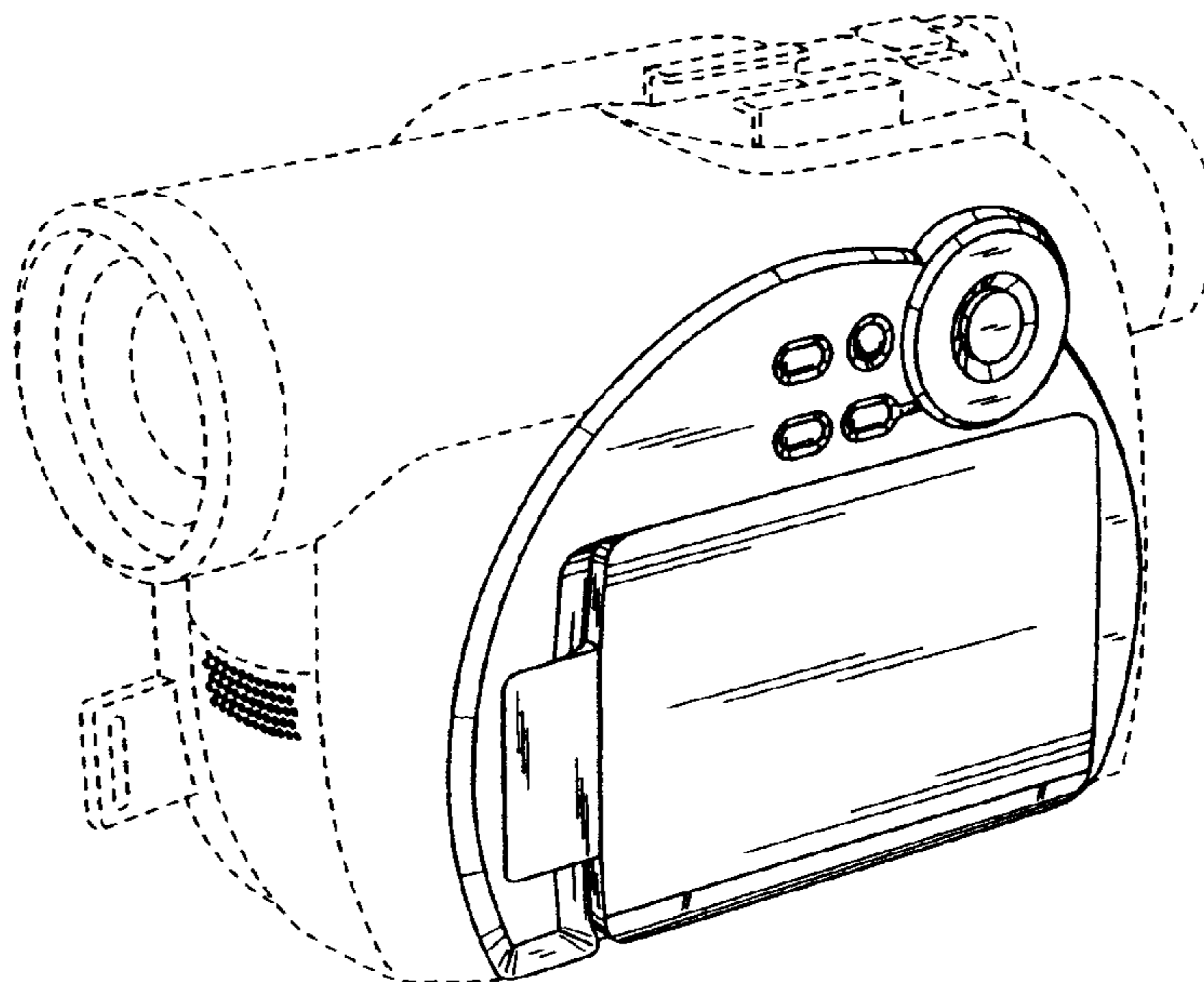


Fig. 1

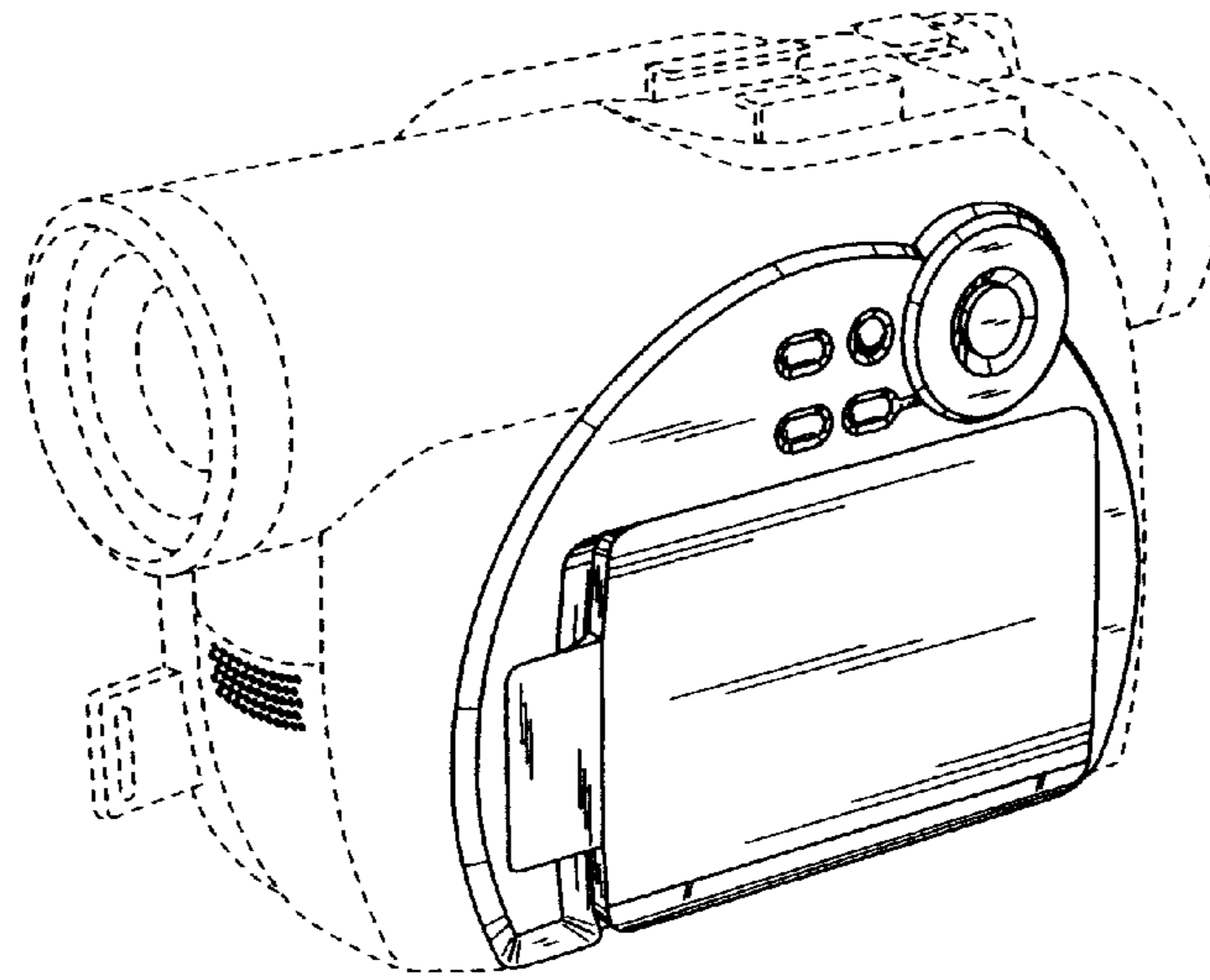


Fig. 2

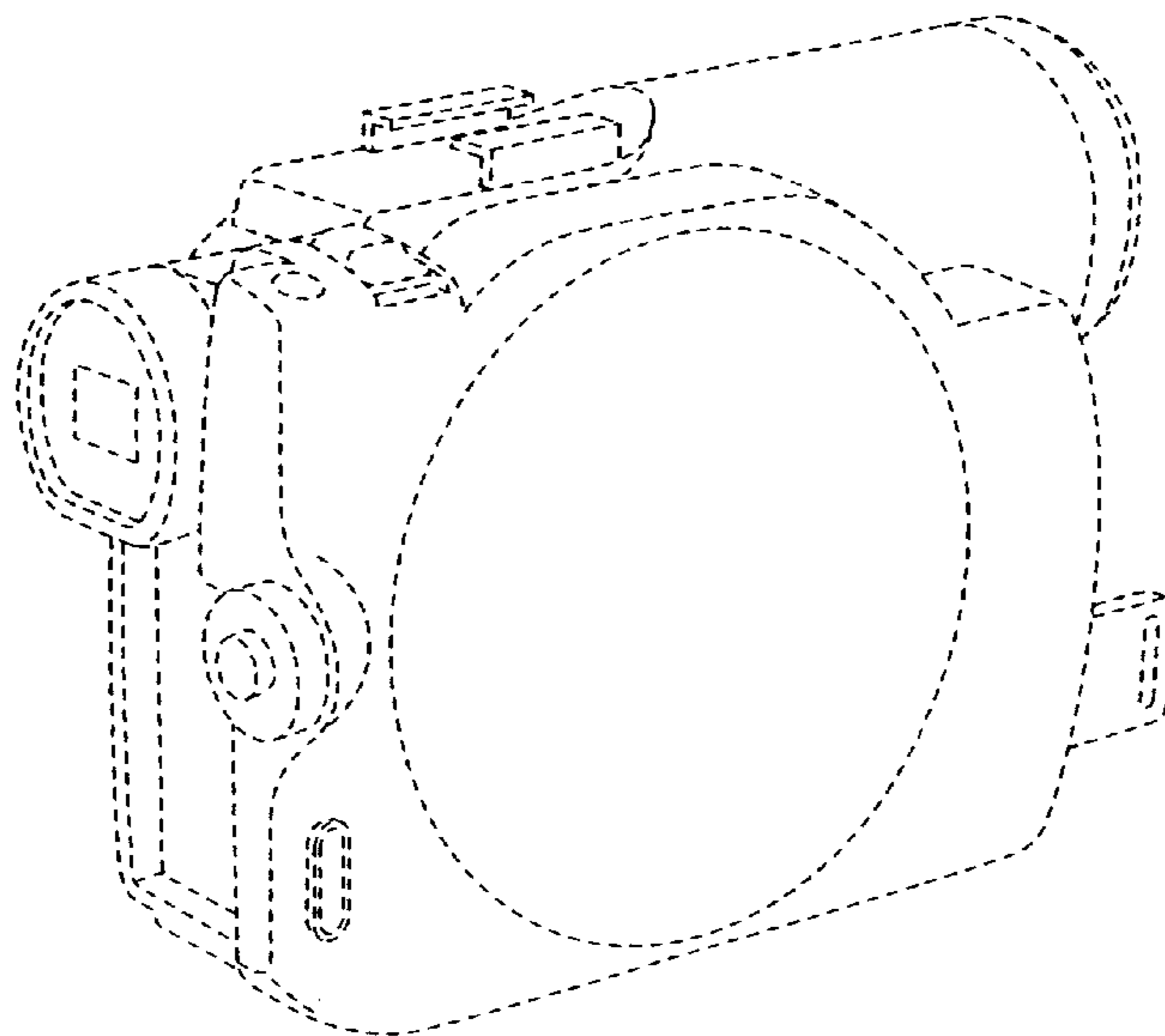


Fig.3

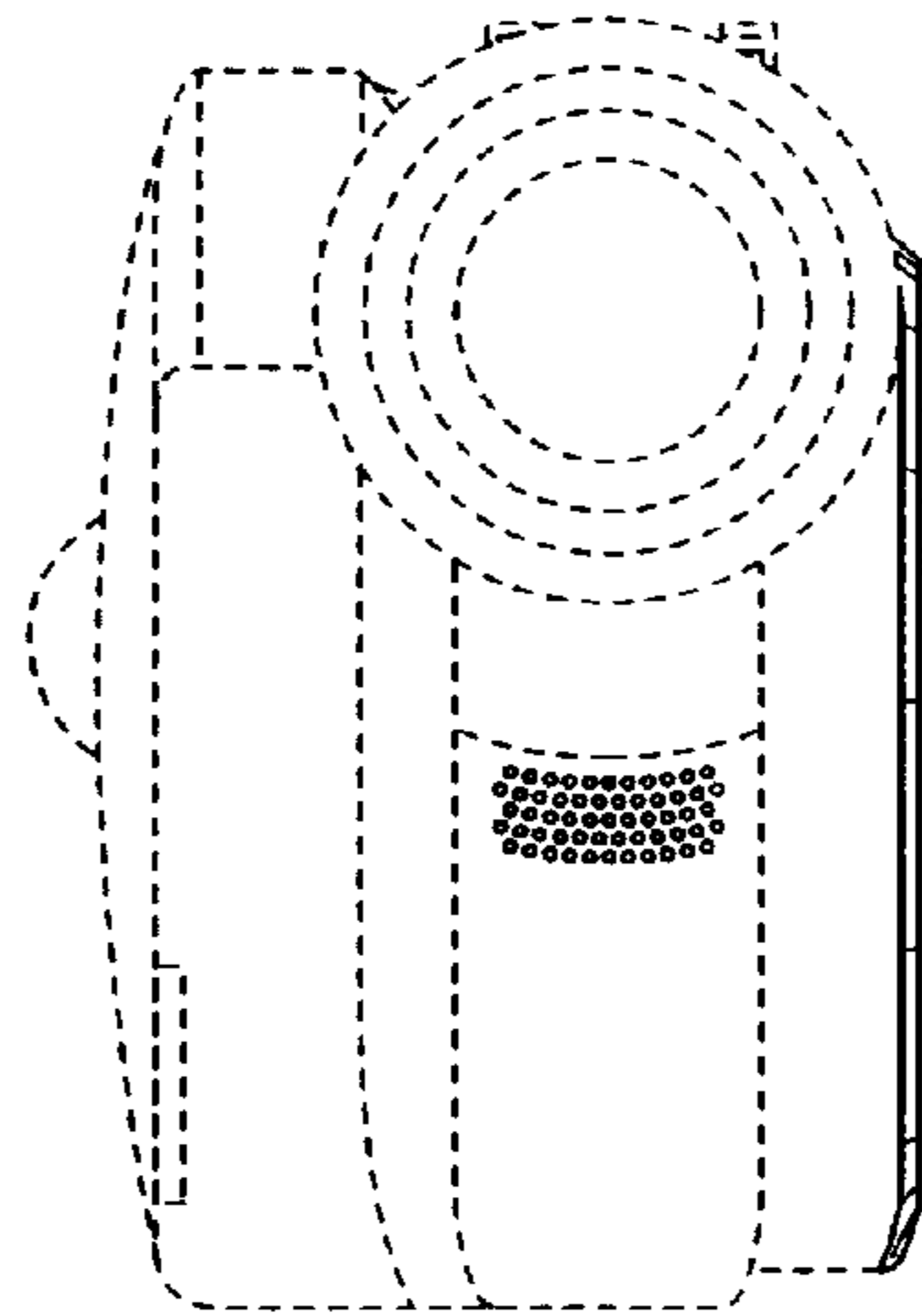


Fig.4

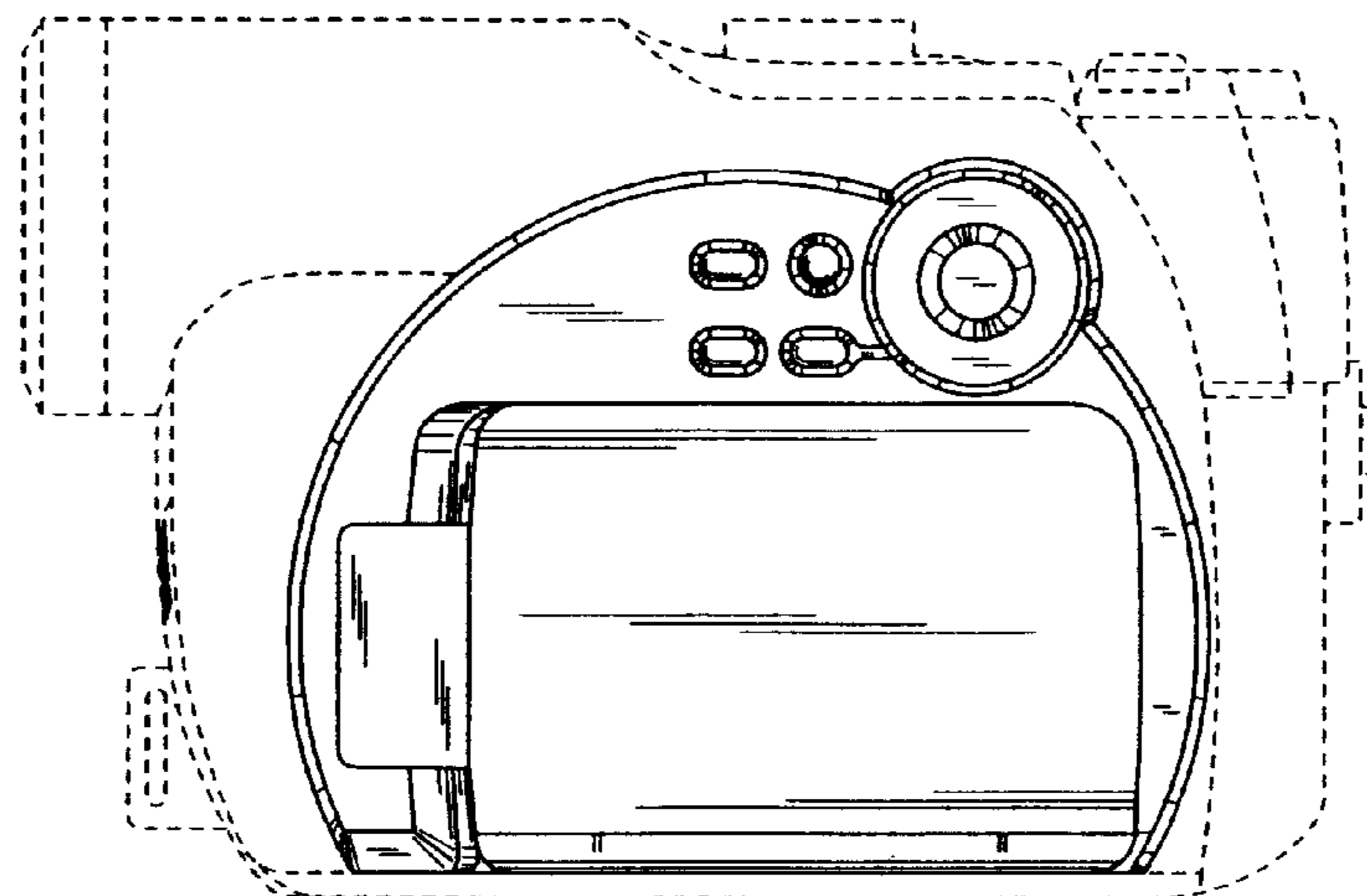


Fig.5

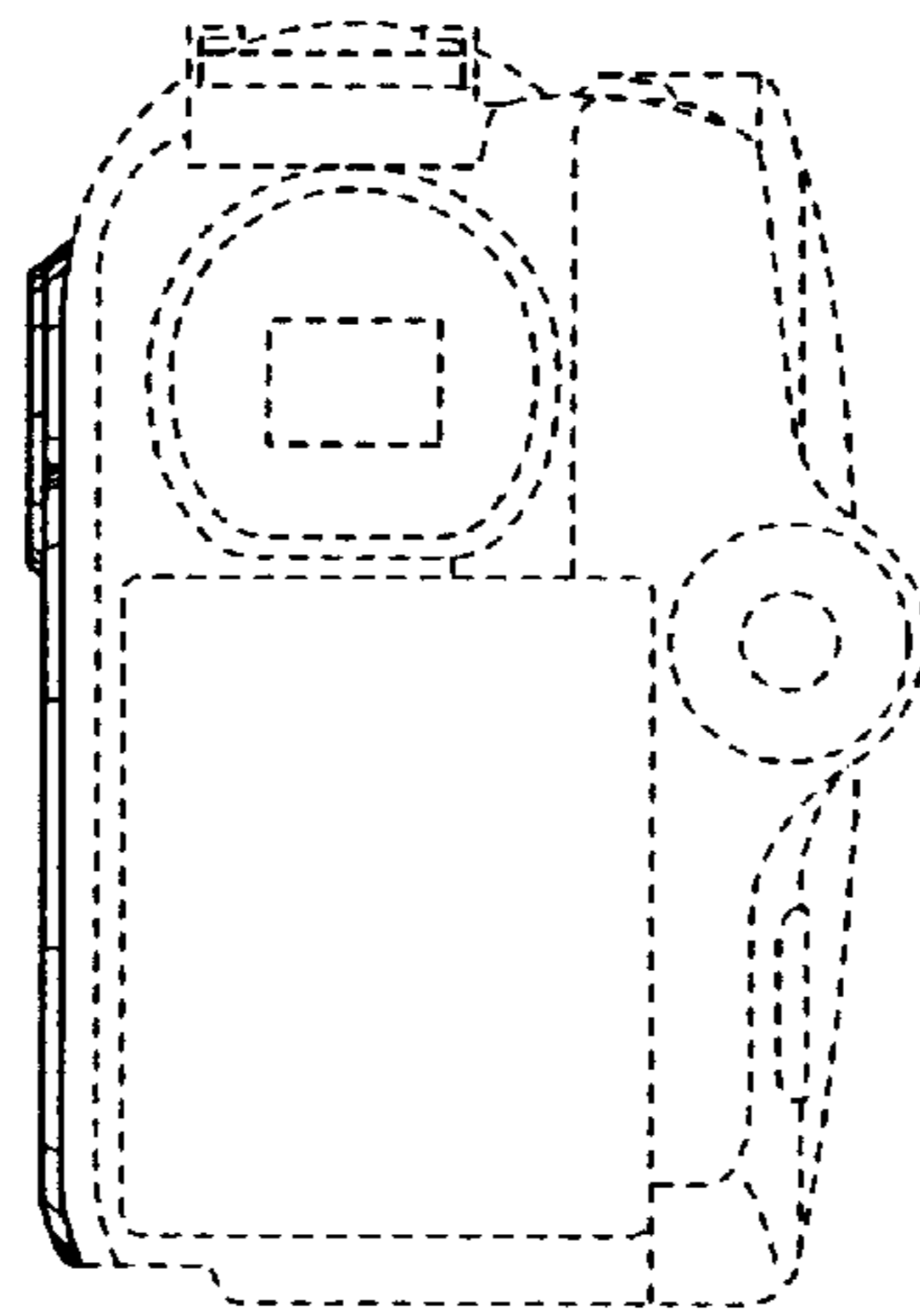


Fig.6

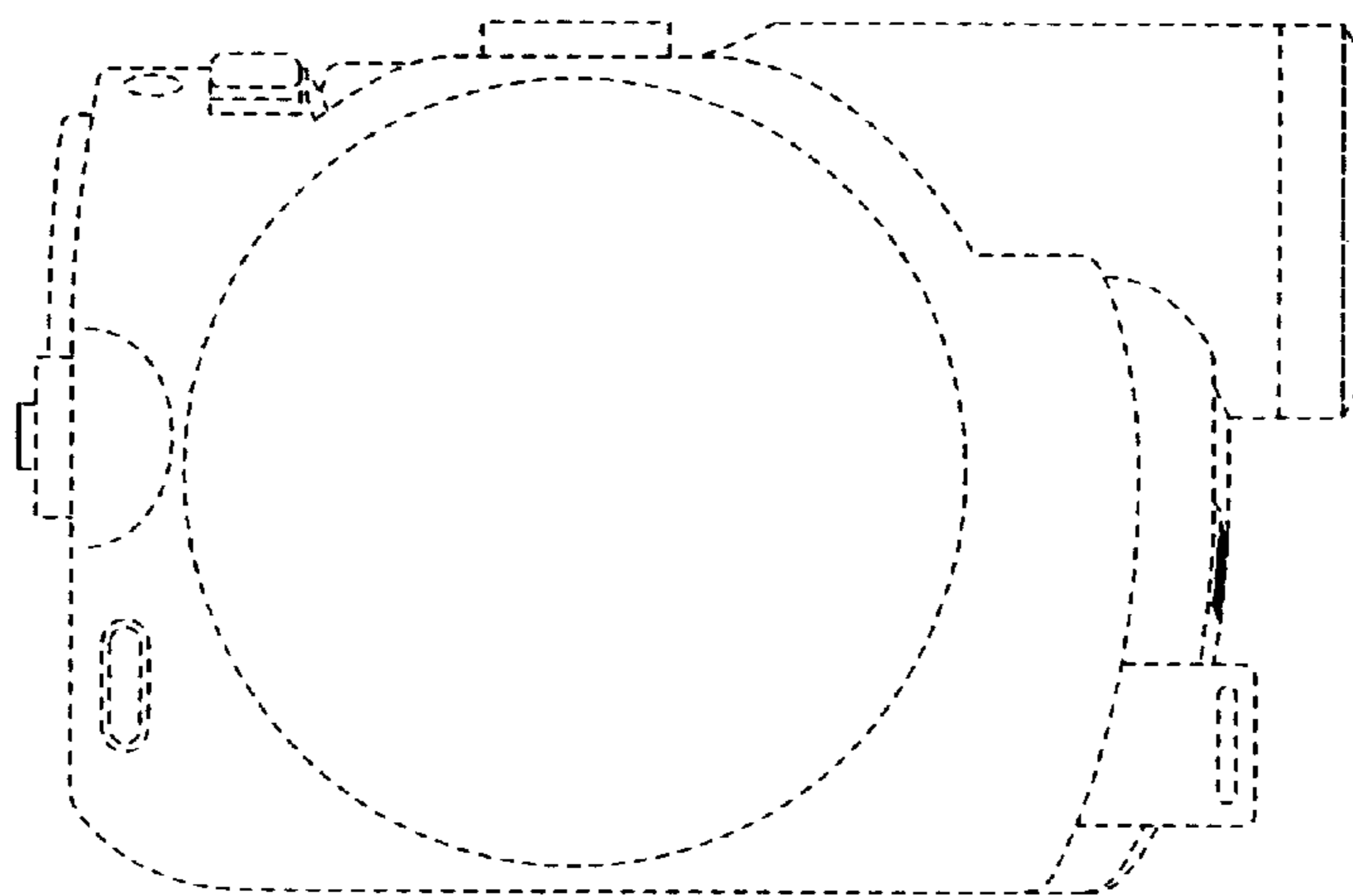


Fig7

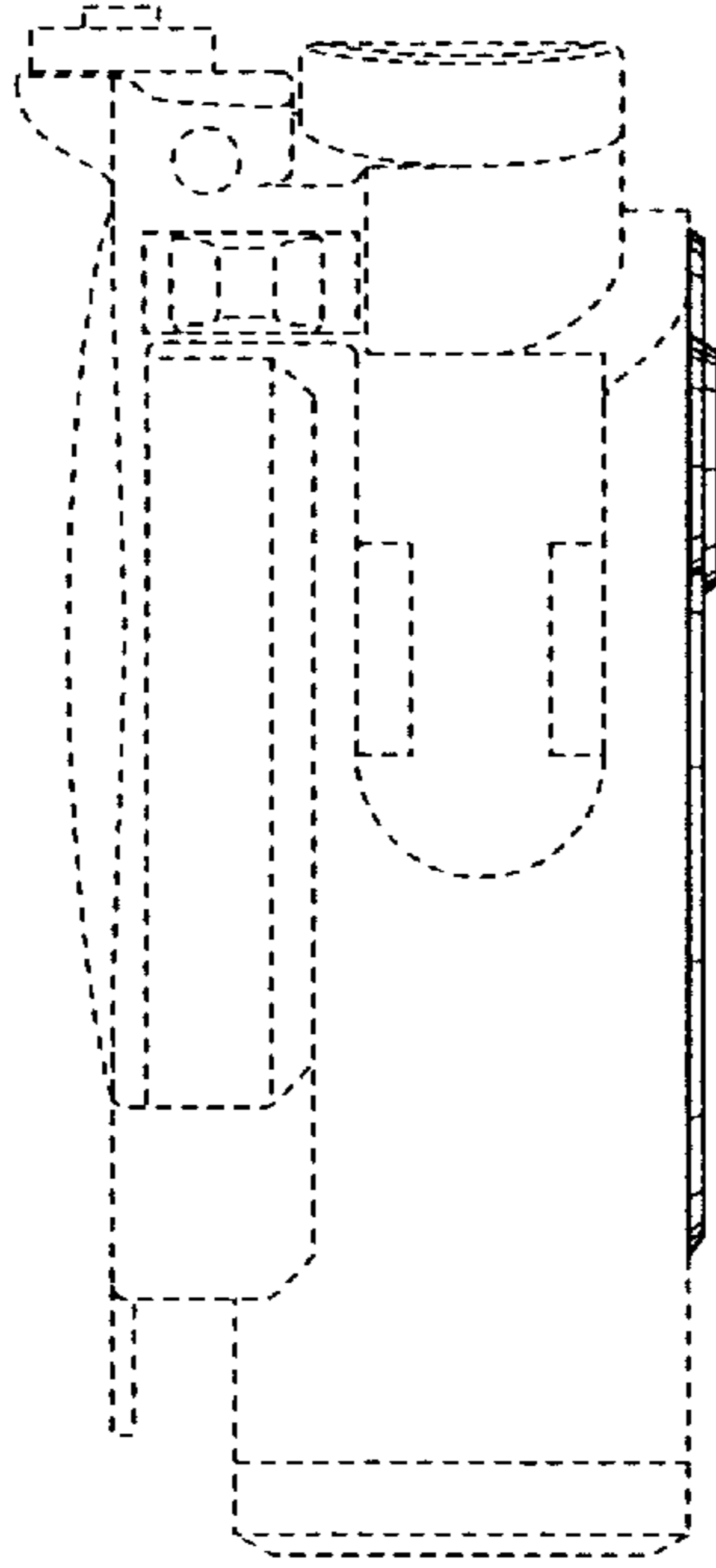


Fig8

