

US00D540839S

(12) **United States Design Patent**
Martres

(10) **Patent No.:** **US D540,839 S**

(45) **Date of Patent:** **** Apr. 17, 2007**

(54) **FRONT PORTION OF A CAMERA HOUSING**

(75) Inventor: **Eduardo Martres**, Fort Collins, CO
(US)

(73) Assignee: **Hewlett-Packard Development
Company, L.P.**, Houston, TX (US)

(**) Term: **14 Years**

(21) Appl. No.: **29/213,213**

(22) Filed: **Sep. 15, 2004**

(51) **LOC (8) Cl.** **16-05**

(52) **U.S. Cl.** **D16/219**

(58) **Field of Classification Search** D16/200–206,
D16/208, 218, 219; 348/373–376; 358/909.1;
396/6, 535, 536–541

See application file for complete search history.

(56) **References Cited**

U.S. PATENT DOCUMENTS

4,259,000 A	3/1981	Heredia	
4,329,041 A	5/1982	Madge et al.	
4,918,477 A	4/1990	Matsuda et al.	
4,980,708 A	12/1990	Leonard	
D320,610 S	* 10/1991	Chan	D16/209
D325,211 S	* 4/1992	Leonard	D16/209
D326,466 S	* 5/1992	Yu	D16/209
5,227,822 A	7/1993	Takahashi et al.	
5,343,263 A	8/1994	Takemae et al.	
5,623,712 A	4/1997	Onda et al.	
D392,659 S	3/1998	Takano	

D404,752 S	* 1/1999	Lin	D16/218
5,907,721 A	5/1999	Schelling et al.	
5,946,512 A	8/1999	Lavine et al.	
D425,093 S	* 5/2000	Chang	D16/209
6,075,944 A	* 6/2000	Balling et al.	396/6
6,151,453 A	11/2000	Ito	
6,157,788 A	12/2000	Sugita et al.	
6,374,052 B1	4/2002	Satoh et al.	
6,453,122 B1	9/2002	Misawa et al.	
D499,128 S	* 11/2004	Martres et al.	D16/218

* cited by examiner

Primary Examiner—Adir Aronovich

(57) **CLAIM**

The ornamental design for a front portion of a camera housing, as shown and described.

DESCRIPTION

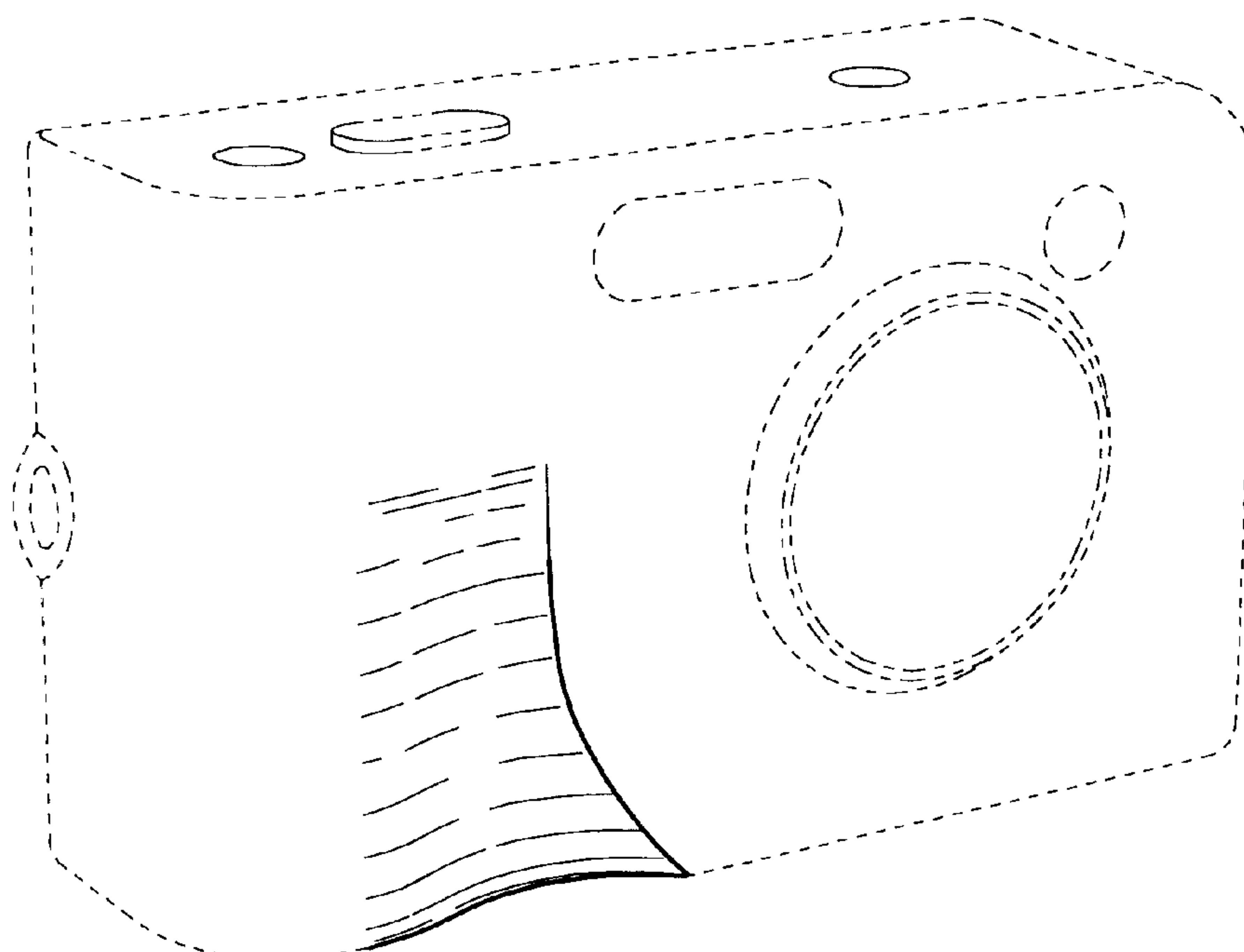
FIG. 1 is a perspective view of a front portion of a camera housing according to my design;

FIG. 2 is a front elevational view thereof; and,

FIG. 3 is a bottom plan view thereof.

It should be understood that the labels used herein for describing orientation (e.g., front and bottom) are merely for reference, and the design may be disposed in any manner and still be within the scope of the present invention. Portions of the article in phantom lines are shown for illustrative purposes only and form no part of the claimed design. Additionally, other surfaces of the article not shown in FIGS. 1, 2 and 3 are devoid from ornamentation and form no part of the claimed design.

1 Claim, 1 Drawing Sheet



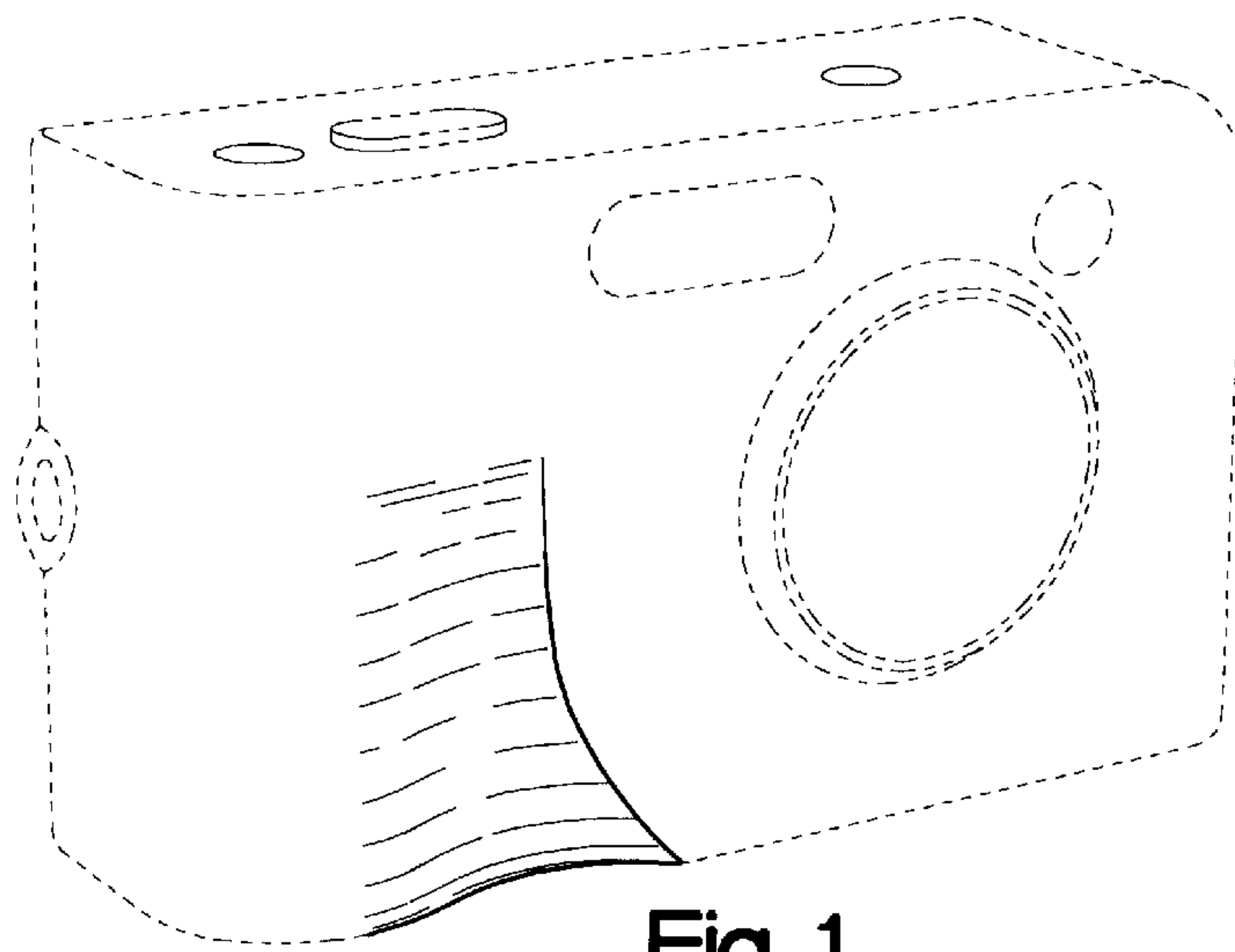


Fig. 1

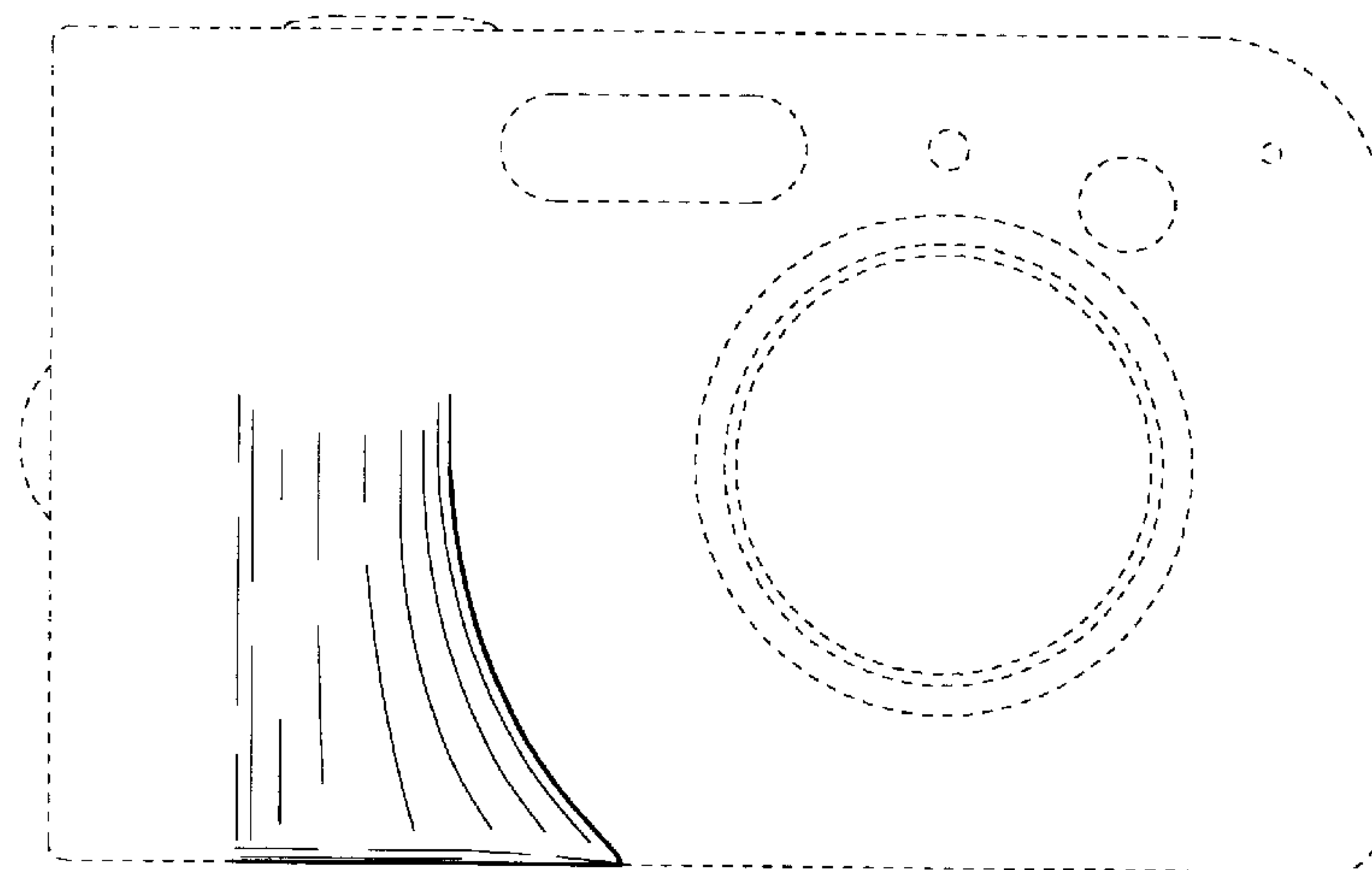


Fig. 2

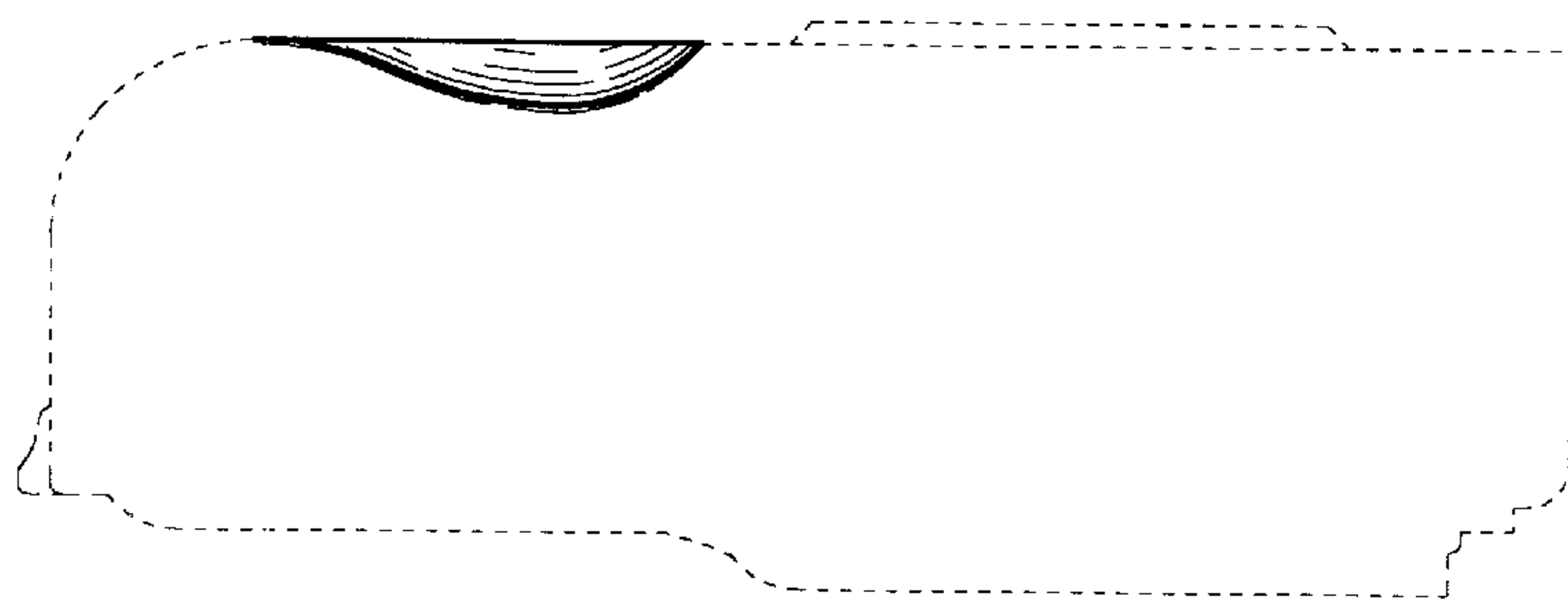


Fig. 3