



US00D540838S

(12) **United States Design Patent**
Aronsson et al.

(10) **Patent No.:** **US D540,838 S**

(45) **Date of Patent:** **** Apr. 17, 2007**

(54) **CAMERA**

(75) Inventors: **Peter Aronsson**, Åkersberga (SE);
Torbjörn Hamrelius, Sollentuna (SE)

(73) Assignee: **Flir Systems AB**, Danderyd (SE)

(**) Term: **14 Years**

(21) Appl. No.: **29/233,400**

(22) Filed: **Jul. 5, 2005**

(30) **Foreign Application Priority Data**

Jan. 13, 2005 (EM) 000279476-0001

(51) **LOC (8) Cl.** **16-01**

(52) **U.S. Cl.** **D16/206; D16/208; D16/243**

(58) **Field of Classification Search** D16/200-206,
D16/208, 218, 243; 348/373-376; 352/242,
352/243; 396/420, 429, 535-541
See application file for complete search history.

(56) **References Cited**

U.S. PATENT DOCUMENTS

D196,201 S * 9/1963 Hertzler D16/206

D205,914 S * 10/1966 Levin D16/206

D207,513 S * 4/1967 Bjorn D16/206

D207,811 S * 5/1967 Bjorn D16/206

3,752,983 A * 8/1973 Yanez 396/429

D348,276 S * 6/1994 Hastings D16/201

D445,817 S * 7/2001 Okuley D16/206

* cited by examiner

Primary Examiner—Adir Aronovich

(74) *Attorney, Agent, or Firm*—Albihns Stockholm AB

(57) **CLAIM**

The ornamental design for a camera, as shown.

DESCRIPTION

FIG. 1 is a perspective view of a camera according to our new design;

FIG. 2 is a front view thereof;

FIG. 3 is a rear view thereof;

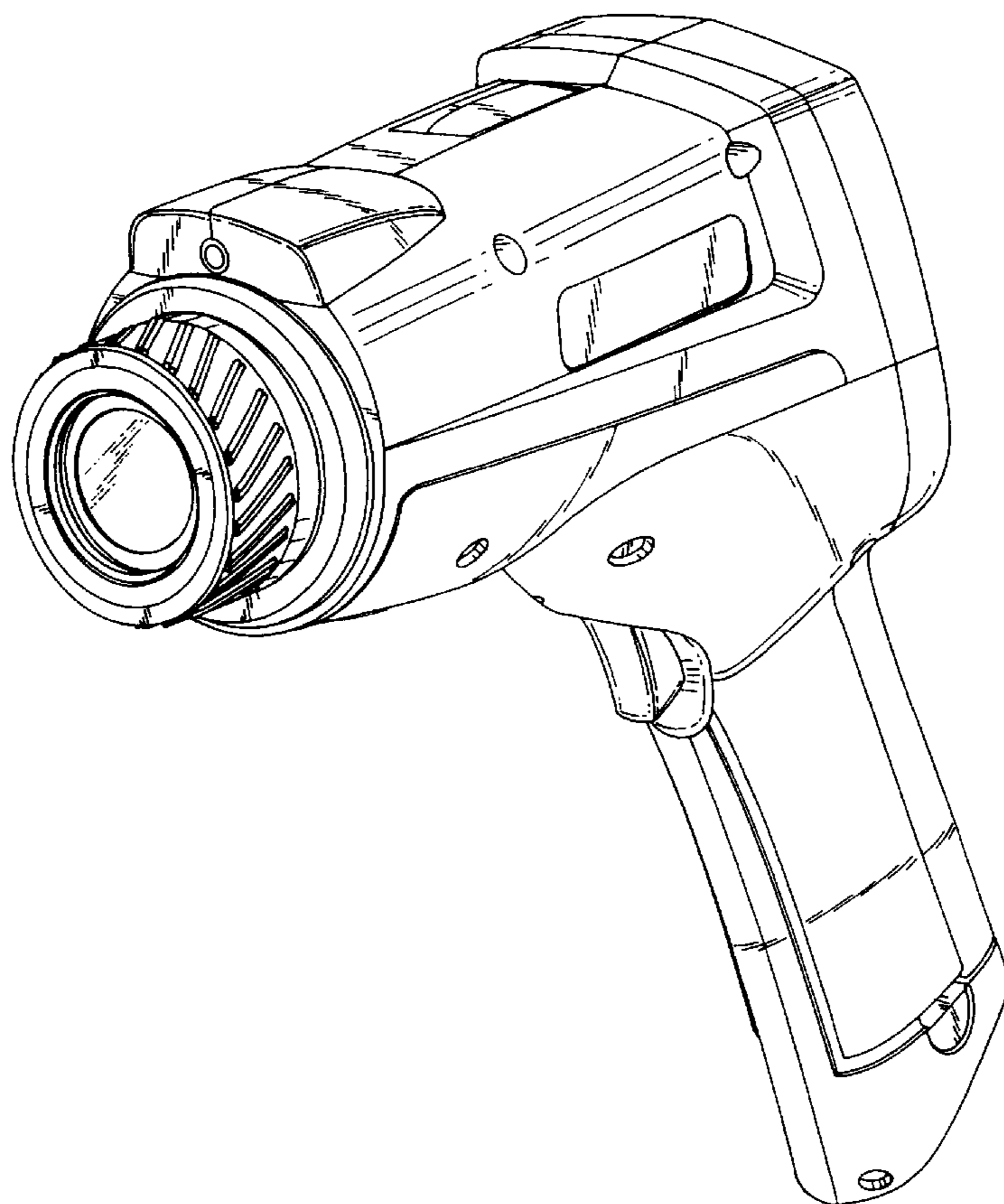
FIG. 4 is a right side view thereof;

FIG. 5 is a left side view thereof;

FIG. 6 is a top plan view thereof; and,

FIG. 7 is a bottom plan view thereof.

1 Claim, 5 Drawing Sheets



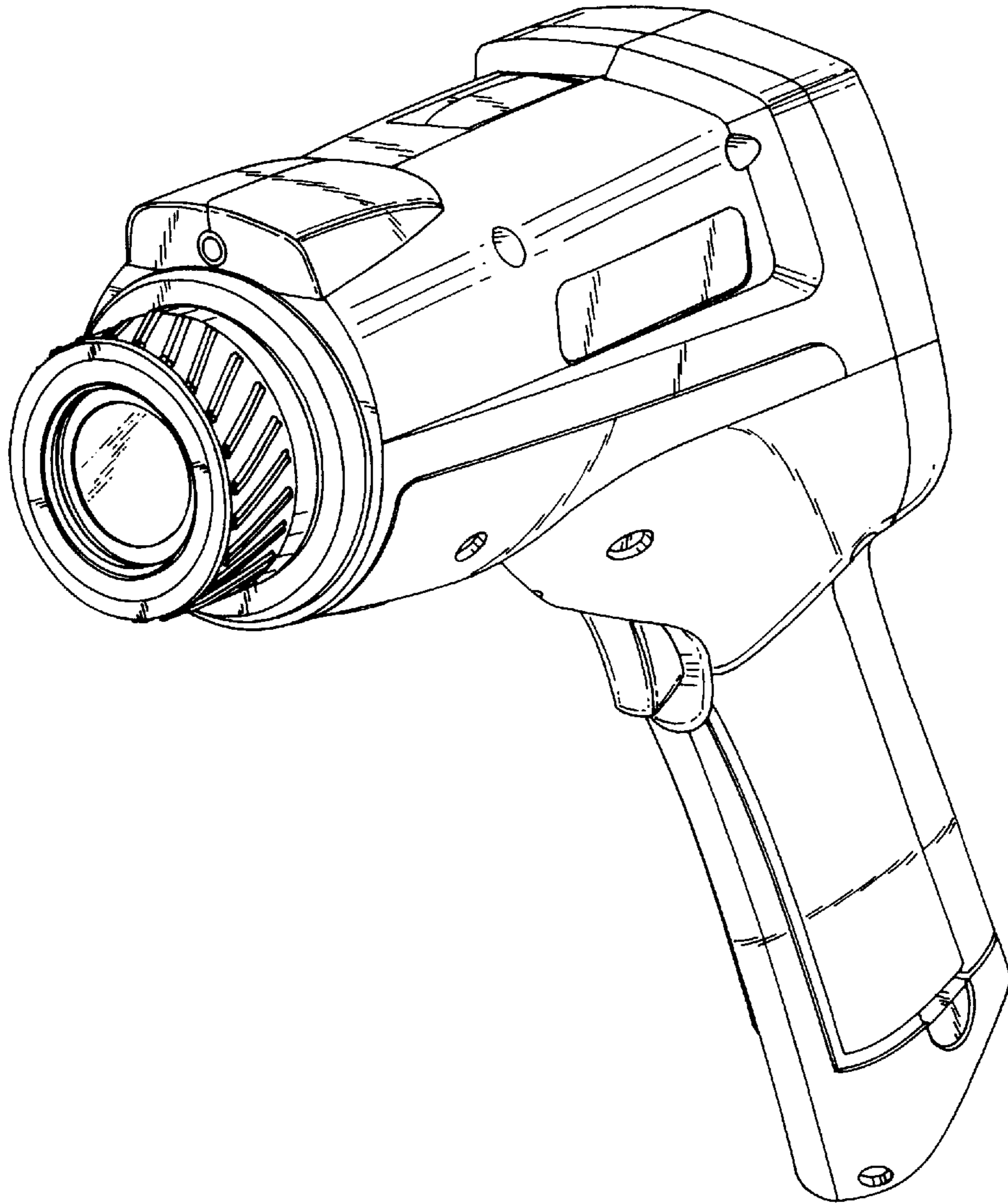


FIG. 1

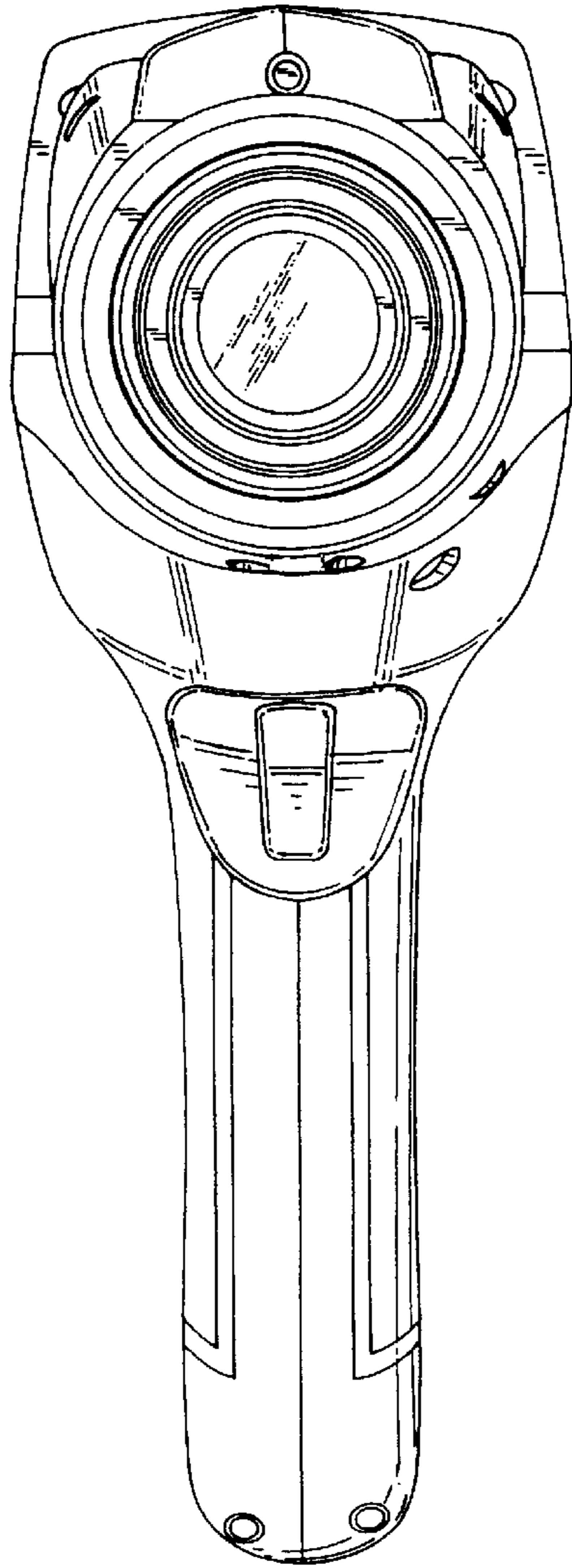


FIG. 2

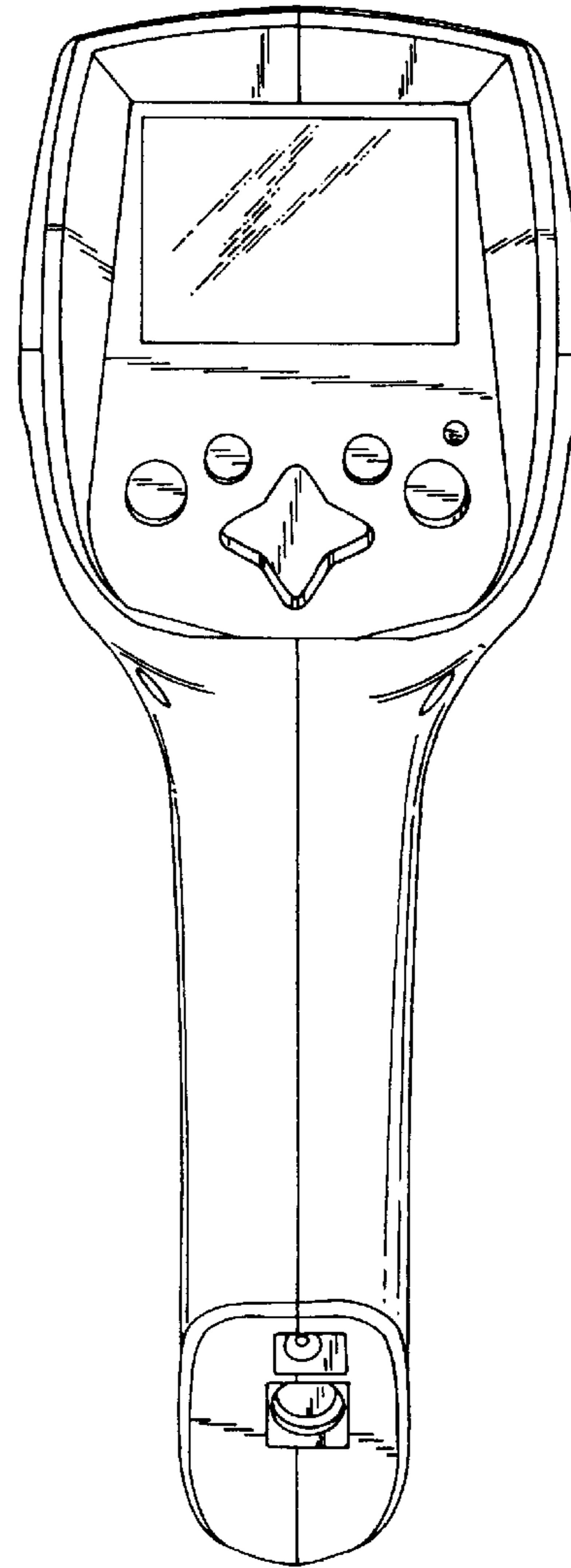


FIG. 3

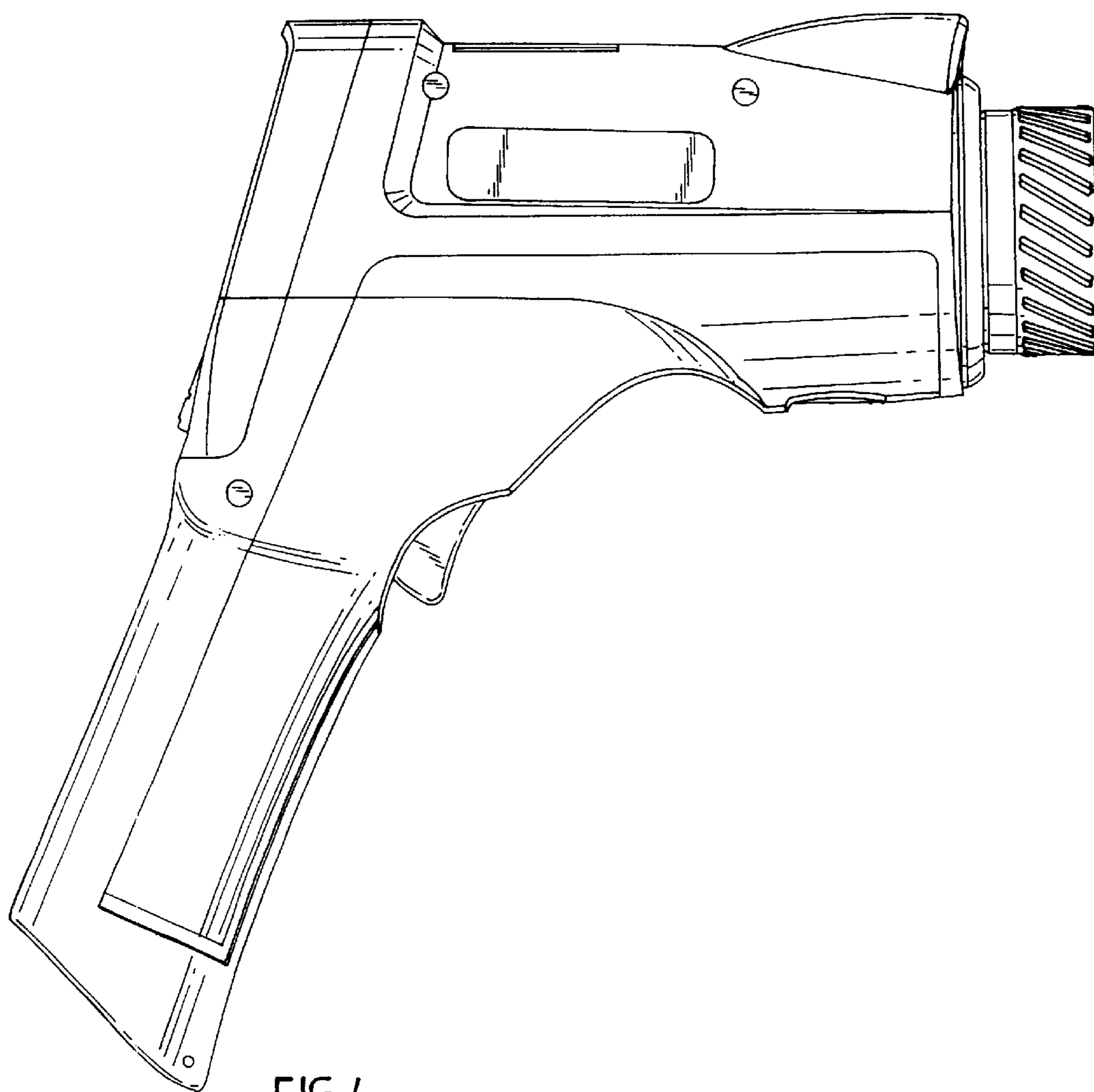


FIG.4

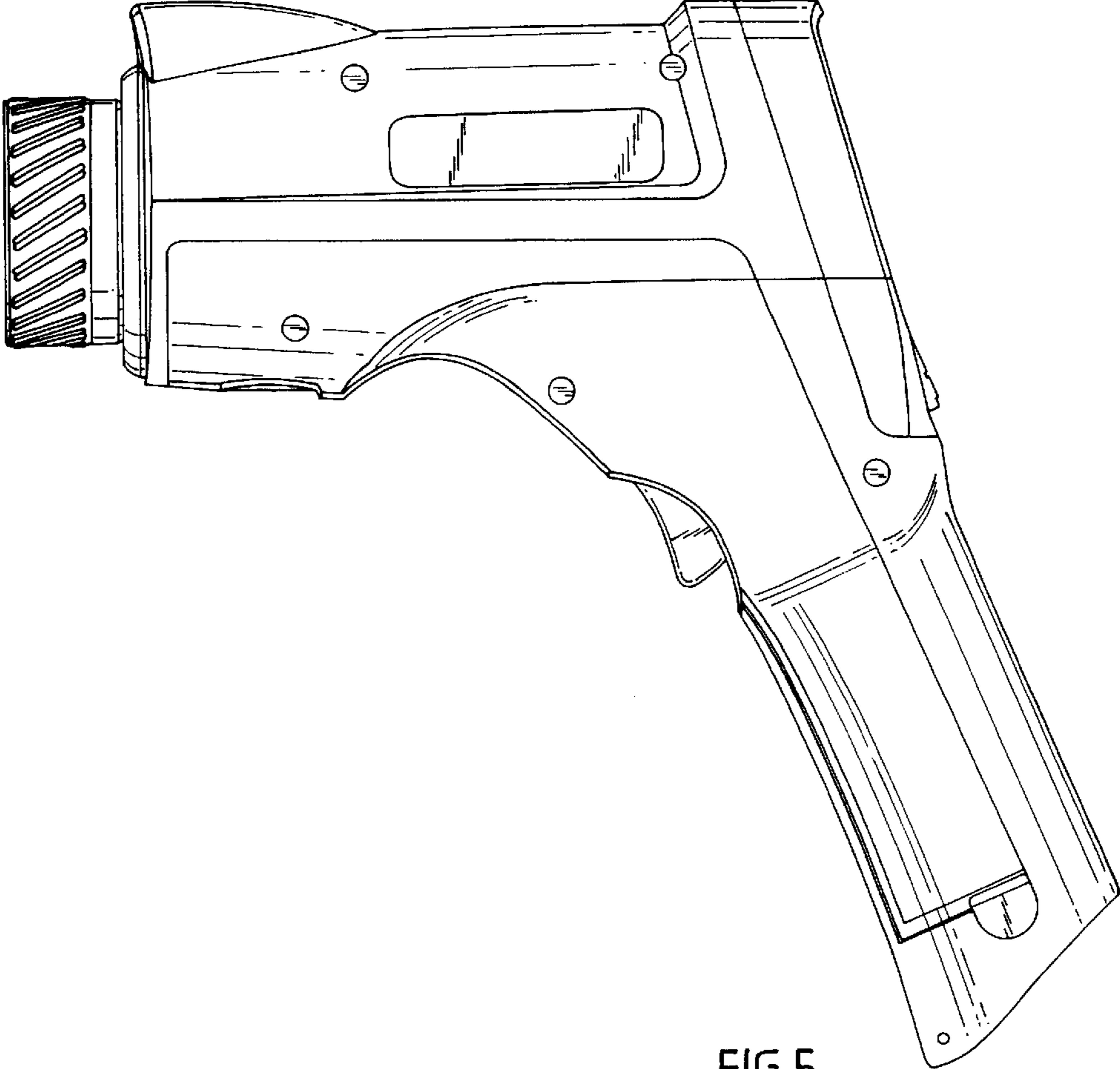


FIG. 5

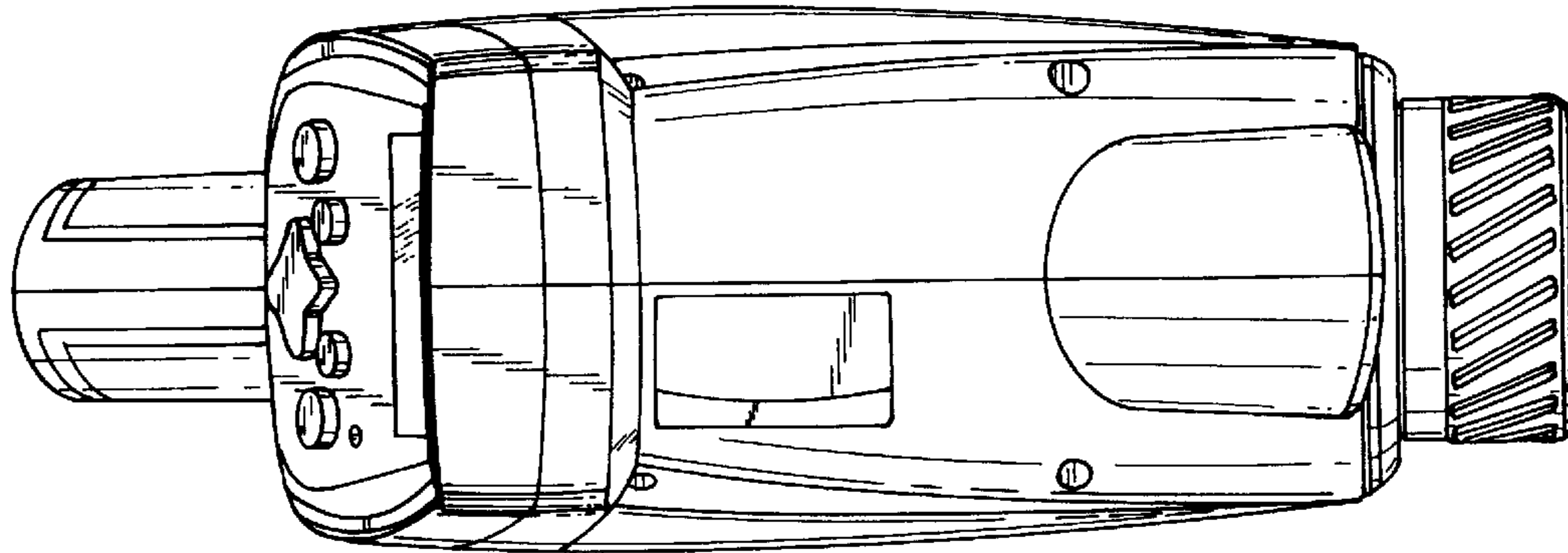


FIG. 6

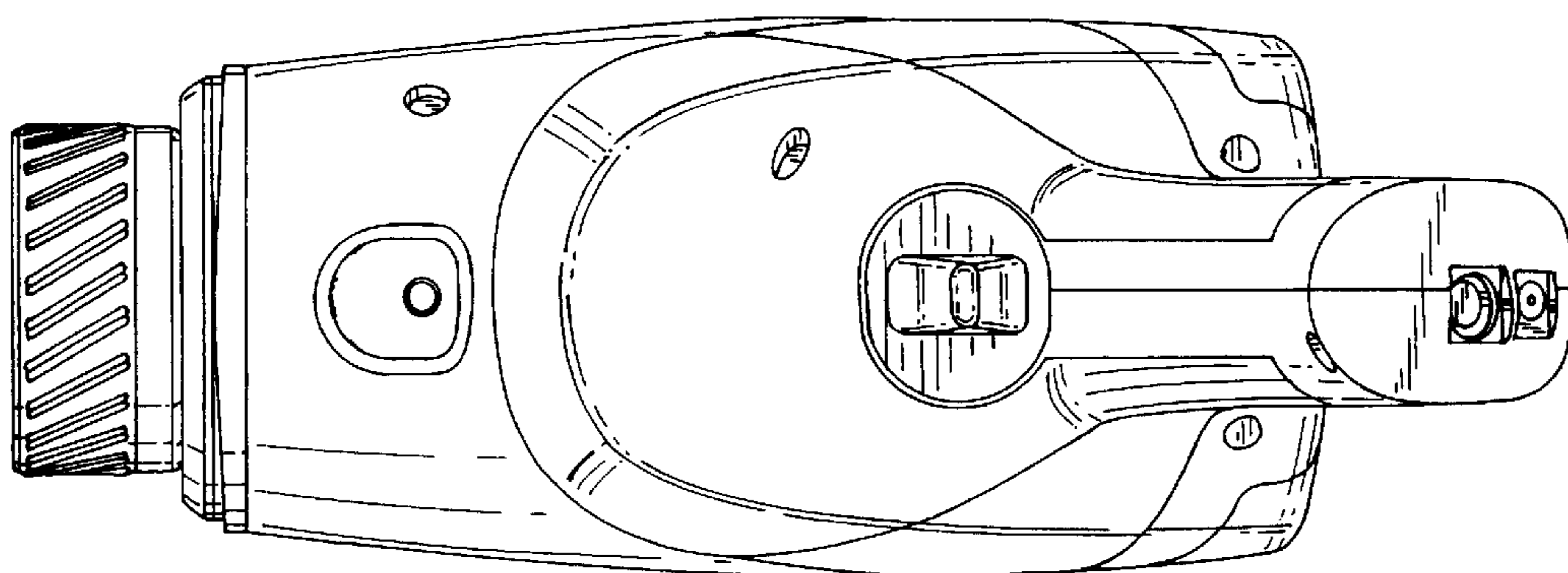


FIG. 7