

US00D540837S

(12) **United States Design Patent**  
**Takahashi**

(10) **Patent No.:** **US D540,837 S**

(45) **Date of Patent:** **\*\* Apr. 17, 2007**

(54) **DIGITAL CAMERA**

(75) Inventor: **Jun Takahashi**, Hachioji (JP)

(73) Assignee: **Olympus Imaging Corp.**, Tokyo (JP)

(\*\*) Term: **14 Years**

(21) Appl. No.: **29/238,381**

(22) Filed: **Sep. 13, 2005**

(30) **Foreign Application Priority Data**

Aug. 10, 2005 (JP) ..... 2005-023340

(51) **LOC (8) Cl.** ..... **16-01**

(52) **U.S. Cl.** ..... **D16/202; D16/206**

(58) **Field of Classification Search** ..... D16/200–206,  
D16/208, 218; 348/373–376; 358/909.1;  
396/535–541

See application file for complete search history.

(56) **References Cited**

**U.S. PATENT DOCUMENTS**

6,463,222 B1 \* 10/2002 Ito et al. .... 396/541

D484,904 S \* 1/2004 Naitou ..... D16/218

D486,508 S \* 2/2004 Shimobayashi ..... D16/202

D514,610 S \* 2/2006 Urushihata ..... D16/202

D515,120 S \* 2/2006 Funakoshi ..... D16/202

D520,544 S \* 5/2006 Senda ..... D16/202

D523,888 S \* 6/2006 Funakoshi ..... D16/202

D532,031 S \* 11/2006 Hayashi ..... D16/218

\* cited by examiner

*Primary Examiner*—Adir Aronovich

(74) *Attorney, Agent, or Firm*—Hogan & Hartson LLP

(57) **CLAIM**

The ornamental design for a digital camera, as shown and described.

**DESCRIPTION**

FIG. 1 is a front, top and right side perspective view of a digital camera showing my new design;

FIG. 2 is a rear, top and left side perspective view thereof;

FIG. 3 is a front, top and right side perspective view thereof, having a lens extended and a barrier opened;

FIG. 4 is a front elevational view thereof;

FIG. 5 is a rear elevational view thereof;

FIG. 6 is a top plan view thereof;

FIG. 7 is a bottom plan view thereof;

FIG. 8 is a right side elevational view thereof; and,

FIG. 9 is a left side elevational view thereof.

**1 Claim, 9 Drawing Sheets**

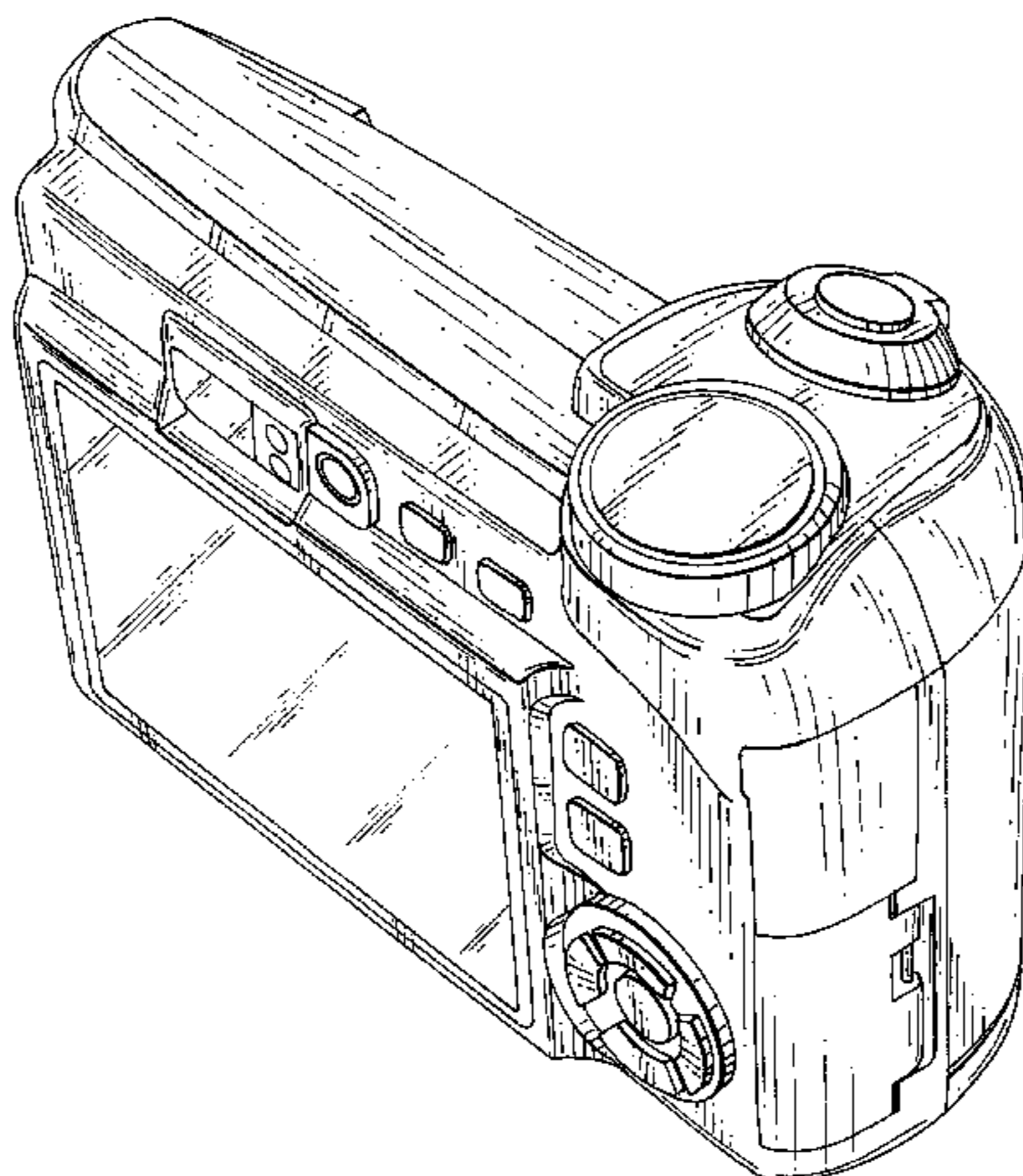
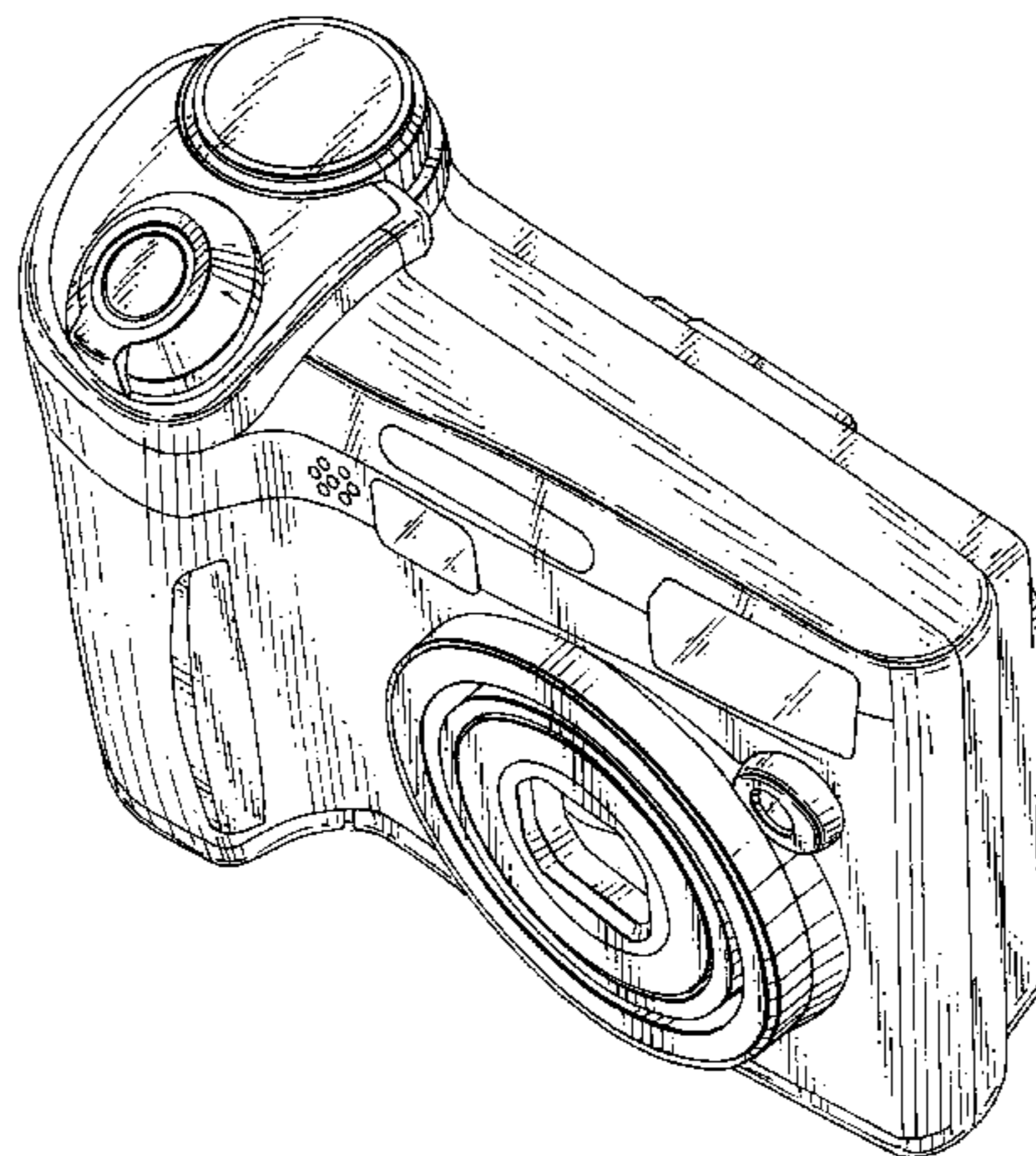


FIG. 1

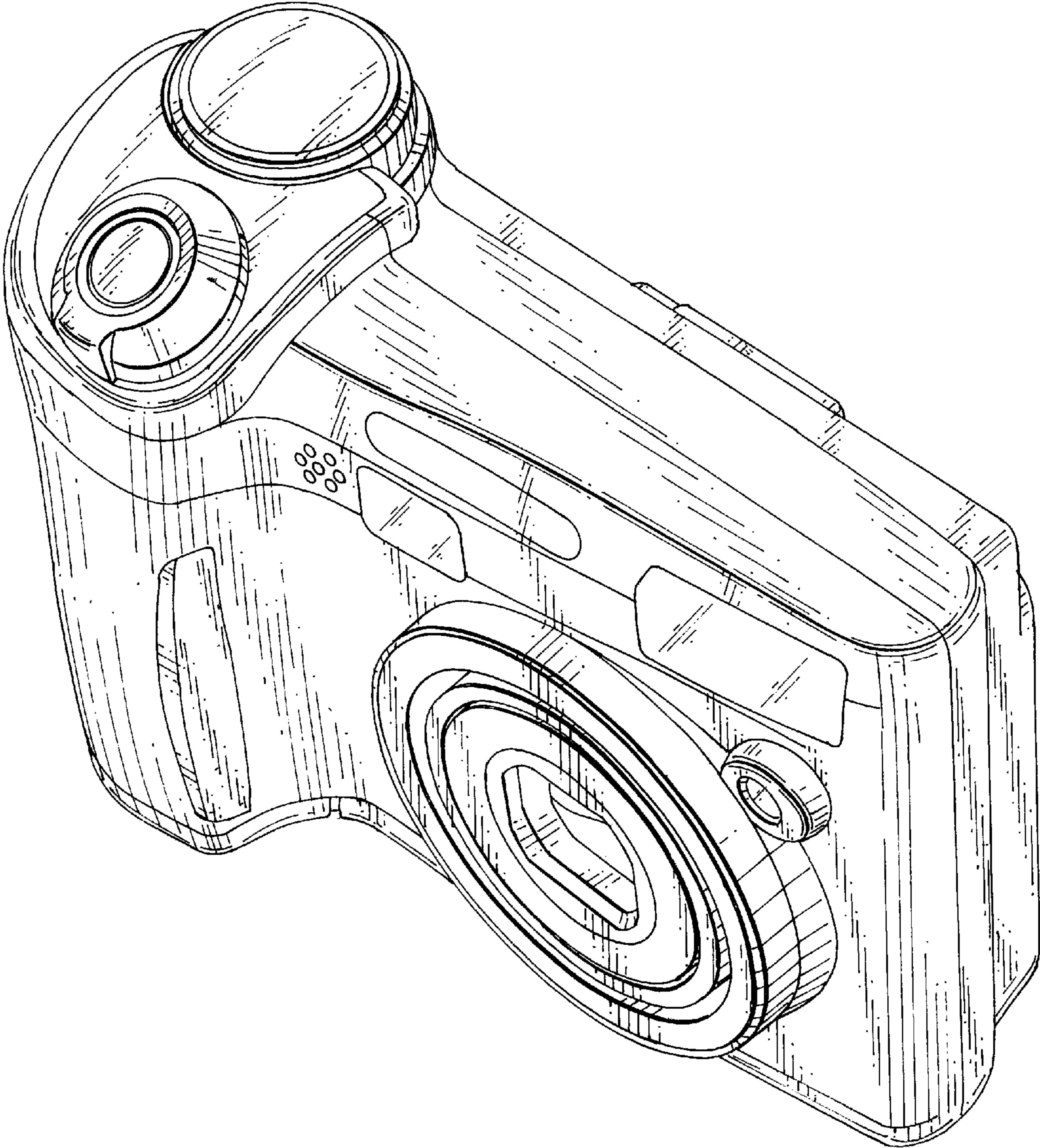


FIG. 2

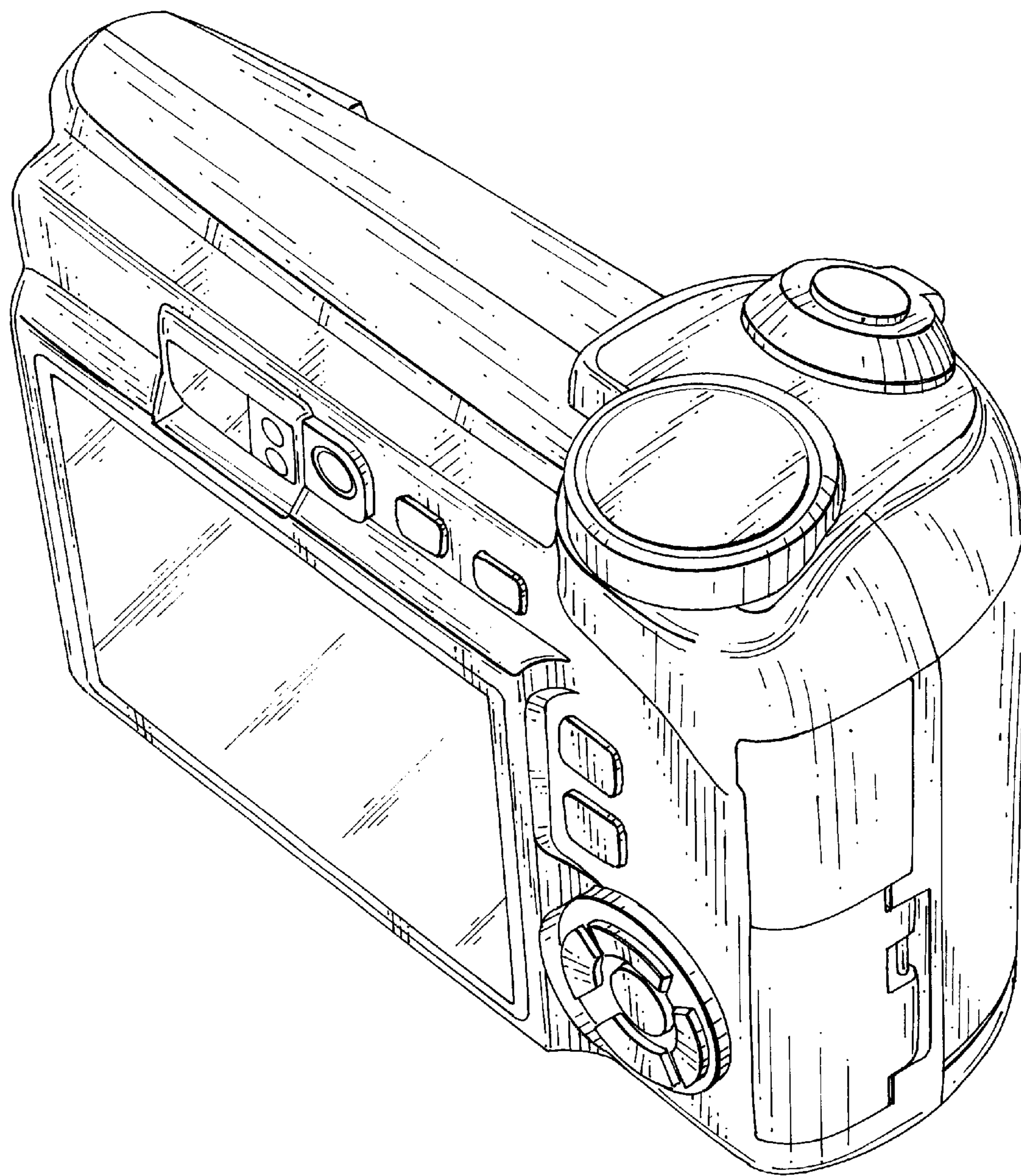


FIG. 3

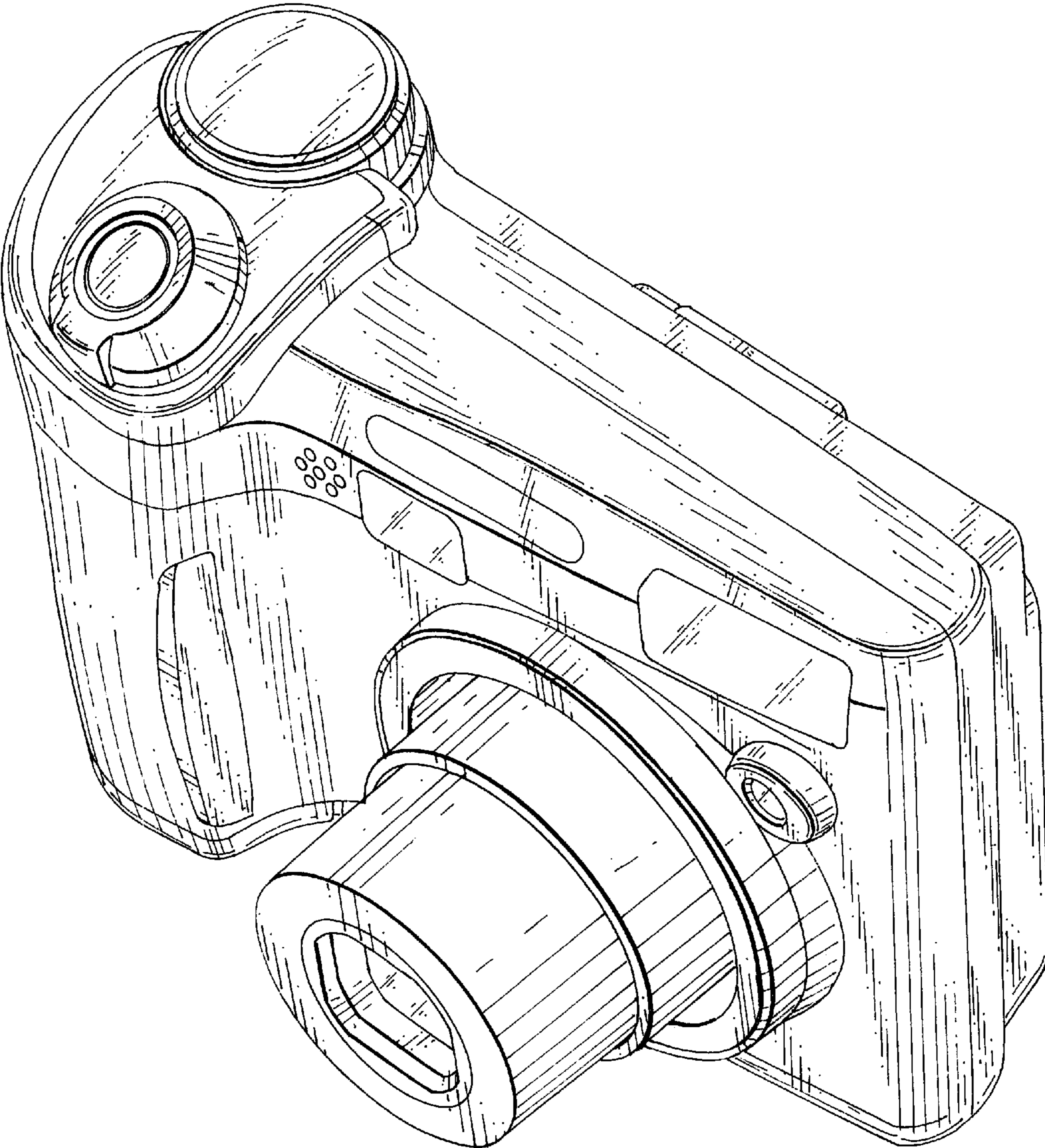


FIG.4

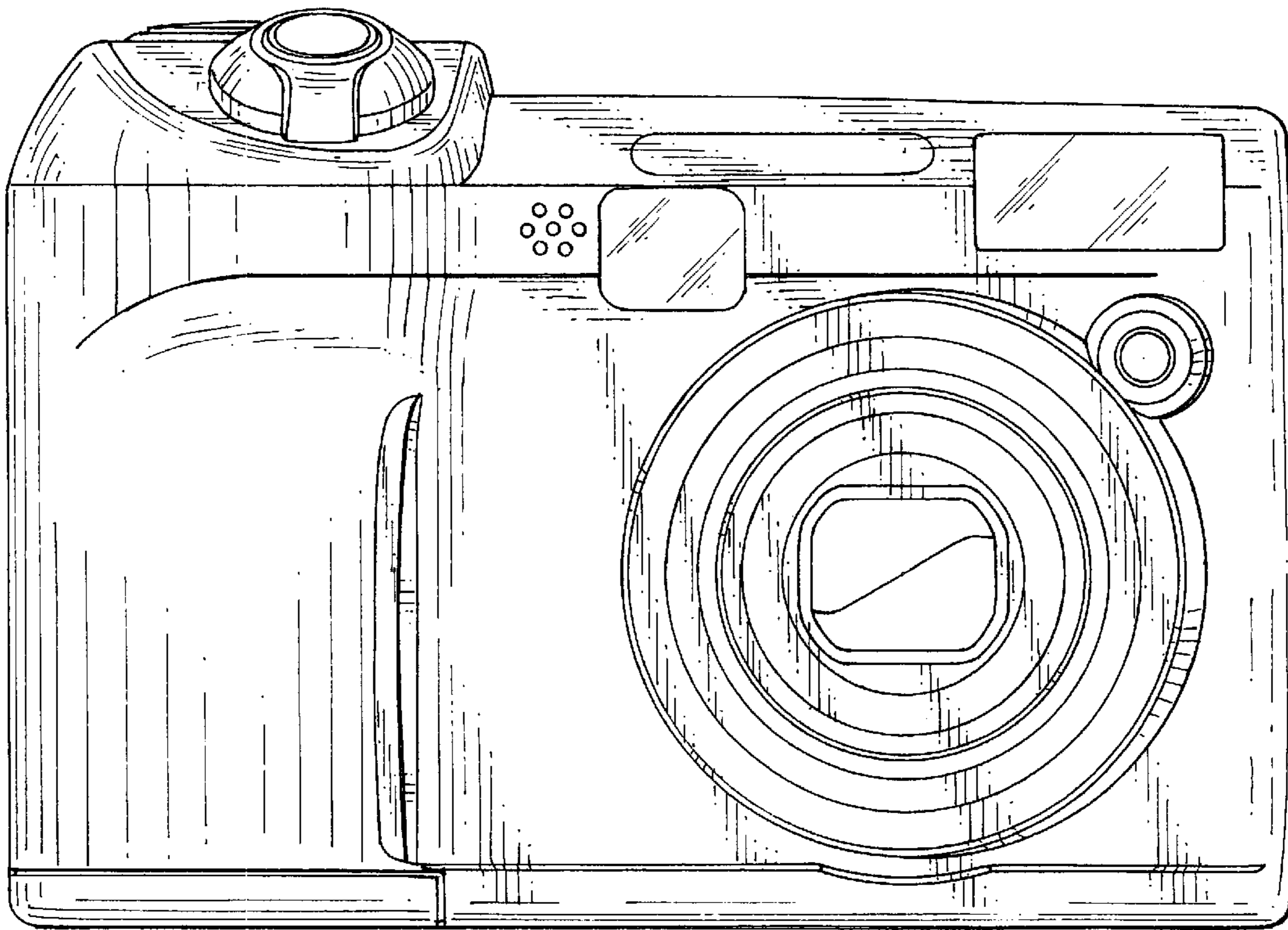


FIG.5

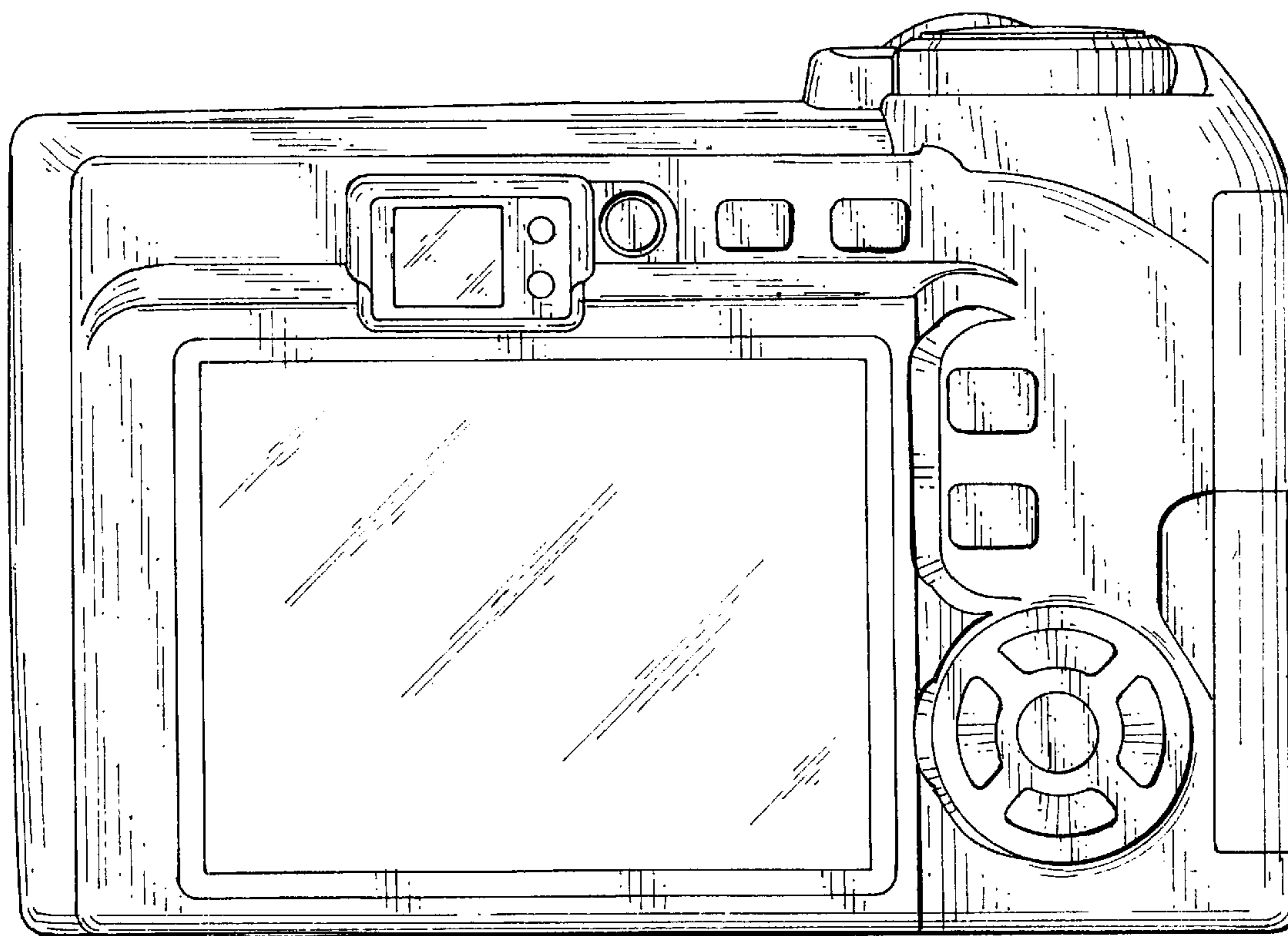


FIG.6

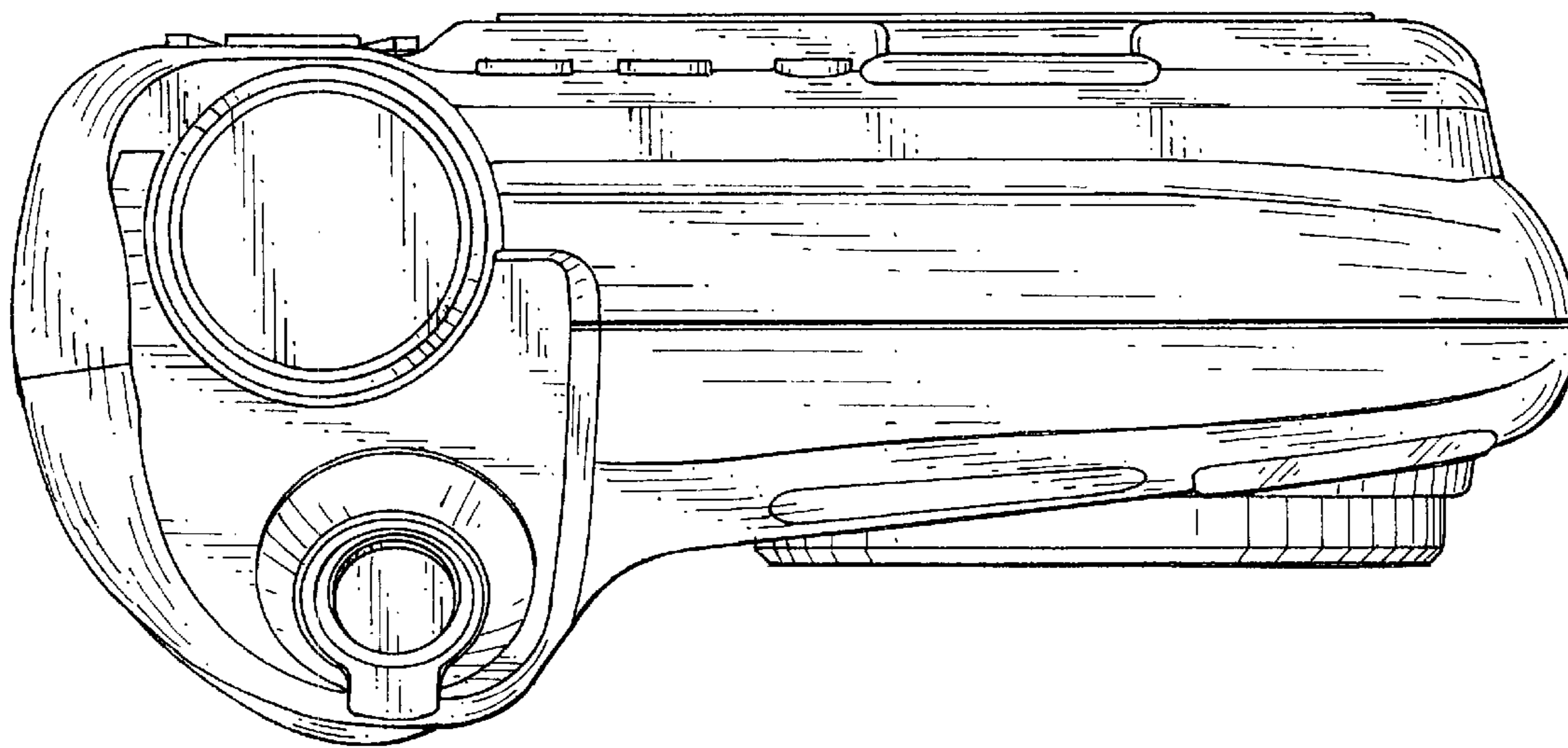


FIG.7

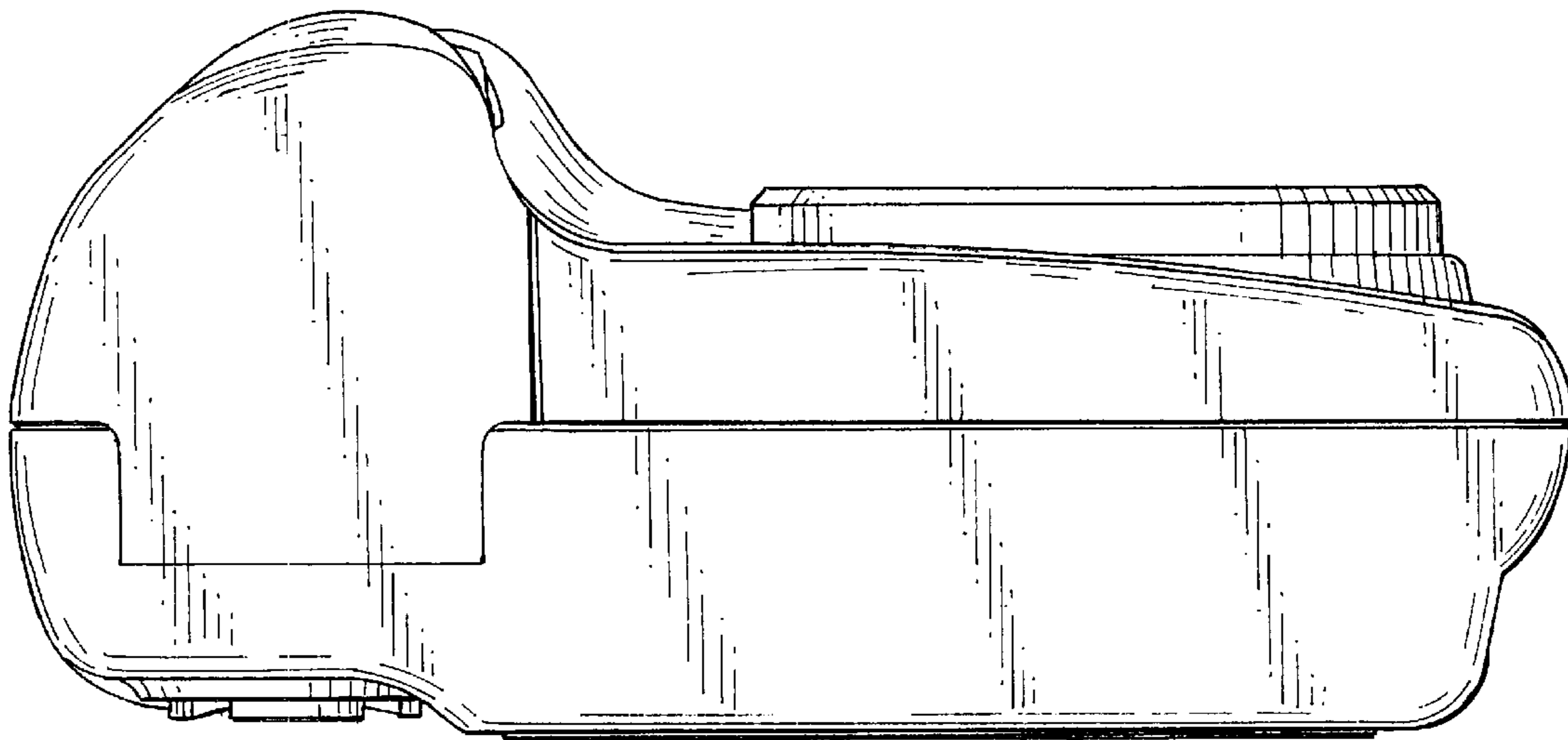




FIG.8

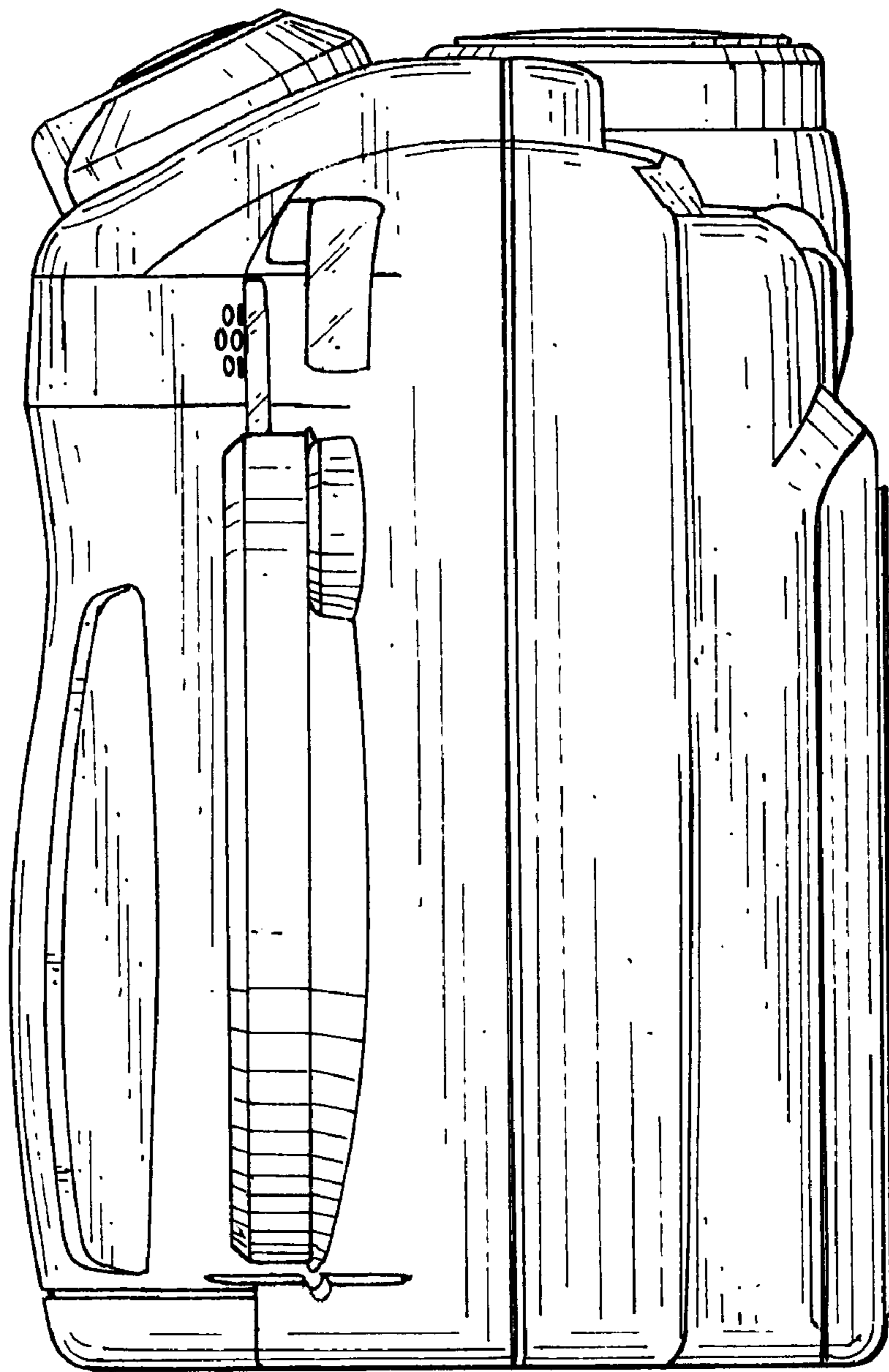


FIG.9

