

US00D540836S

(12) **United States Design Patent**
Ina et al.

(10) **Patent No.:** **US D540,836 S**

(45) **Date of Patent:** **** Apr. 17, 2007**

(54) **ELECTRONIC CAMERA**

(75) Inventors: **Takao Ina**, Tokyo (JP); **Toshita Hara**, Tokyo (JP)

(73) Assignee: **Fuji Photo Film Co., Ltd.**, Kanagawa (JP)

(**) Term: **14 Years**

(21) Appl. No.: **29/236,391**

(22) Filed: **Aug. 16, 2005**

(30) **Foreign Application Priority Data**

Feb. 18, 2005 (JP) 2005-004482

(51) **LOC (8) Cl.** **16-01**

(52) **U.S. Cl.** **D16/202; D16/212**

(58) **Field of Classification Search** D16/200-204,
D16/208, 212, 218; 348/373-376; 358/909.1;
396/349, 448, 535-541

See application file for complete search history.

(56) **References Cited**

U.S. PATENT DOCUMENTS

5,943,520 A * 8/1999 Komatsuzaki et al. 396/539

D423,543 S * 4/2000 Hashimoto et al. D16/212
6,264,378 B1 * 7/2001 Katoh et al. 396/348
D503,946 S * 4/2005 Chao et al. D16/202
D522,552 S * 6/2006 Kuroda D16/202

* cited by examiner

Primary Examiner—Adir Aronovich

(74) *Attorney, Agent, or Firm*—Young & Thompson

(57) **CLAIM**

The ornamental design for an electronic camera, as shown and described.

DESCRIPTION

FIG. 1 is a top front and left side perspective view of an electronic camera showing our new design; FIG. 2 is a front elevational view thereof; FIG. 3 is a rear elevational view thereof; FIG. 4 is a top plan view thereof; FIG. 5 is a bottom plan view thereof; FIG. 6 is a left side elevational view thereof; FIG. 7 is a right side elevational view thereof; and, FIG. 8 is a view similar to FIG. 3 but with the parts in a different position.

1 Claim, 4 Drawing Sheets

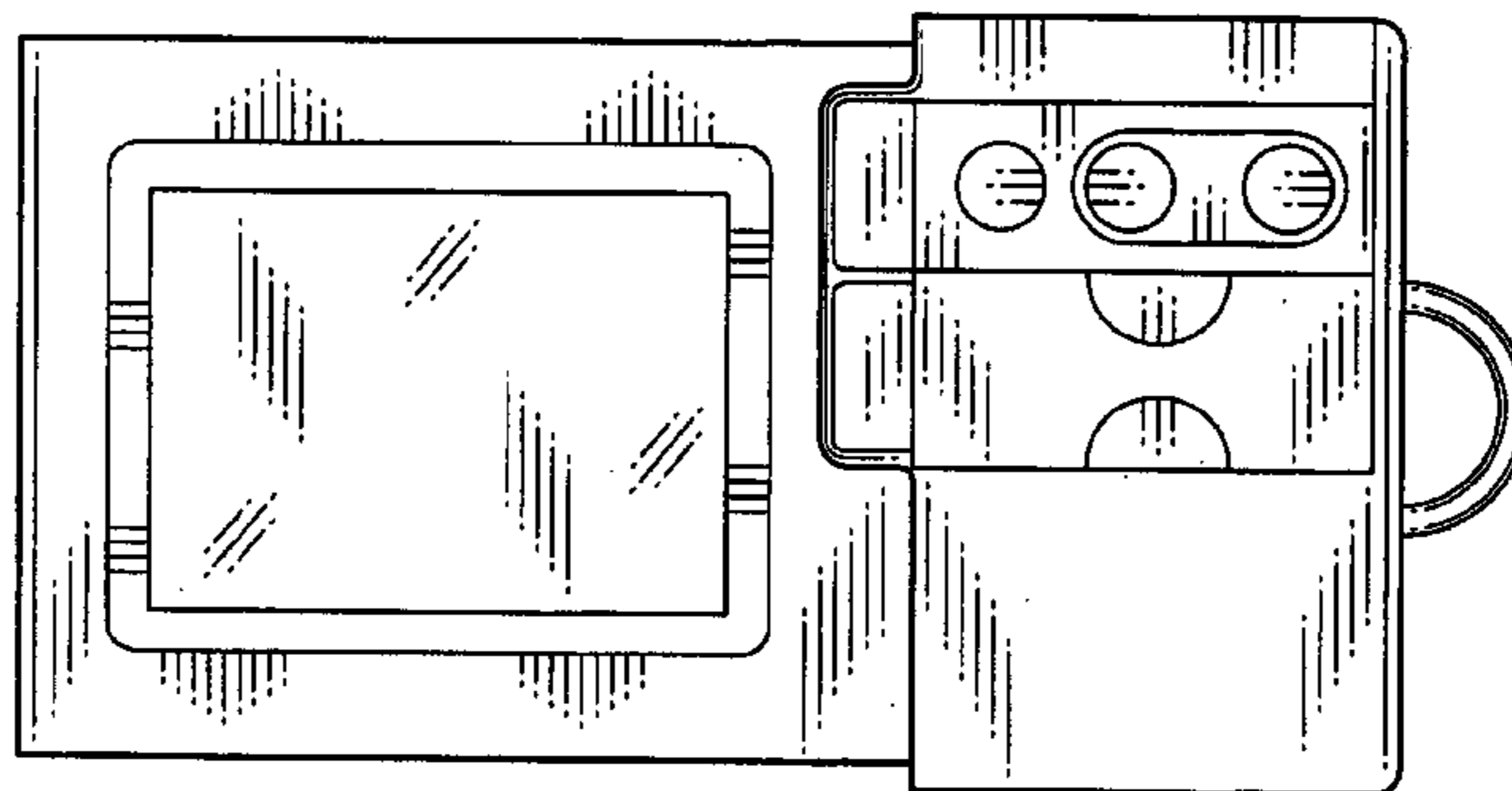
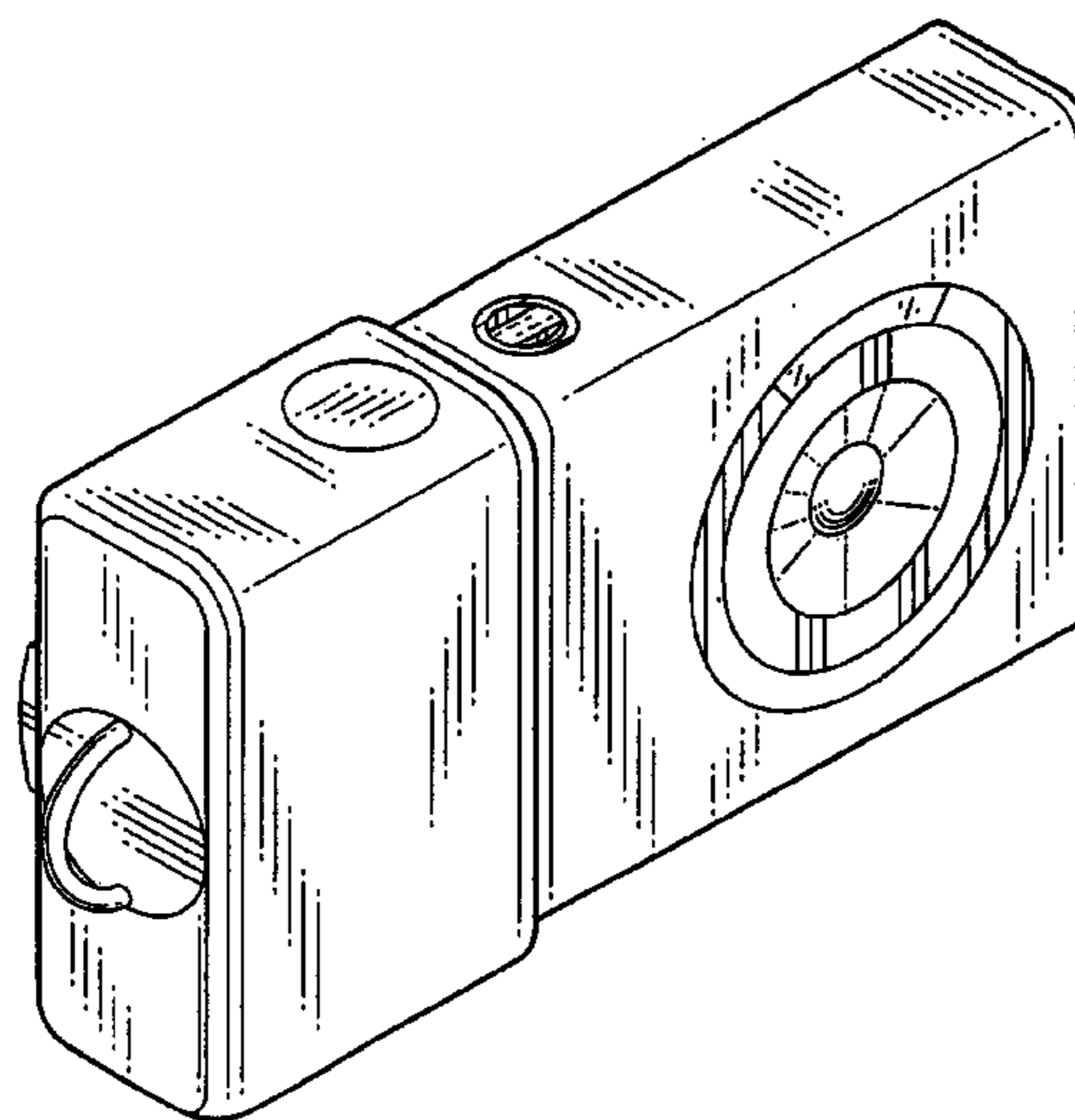


FIG.1

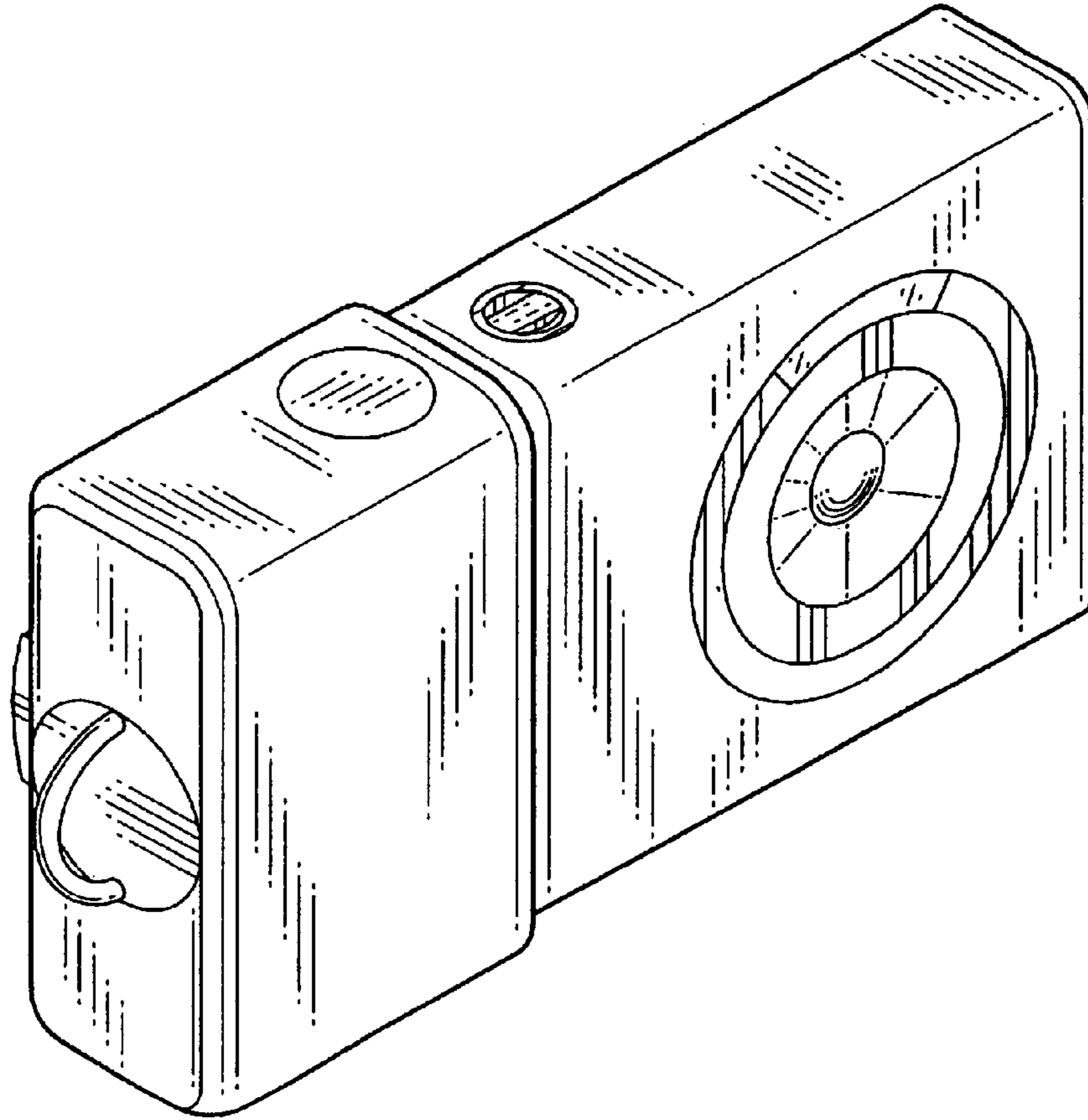


FIG.2

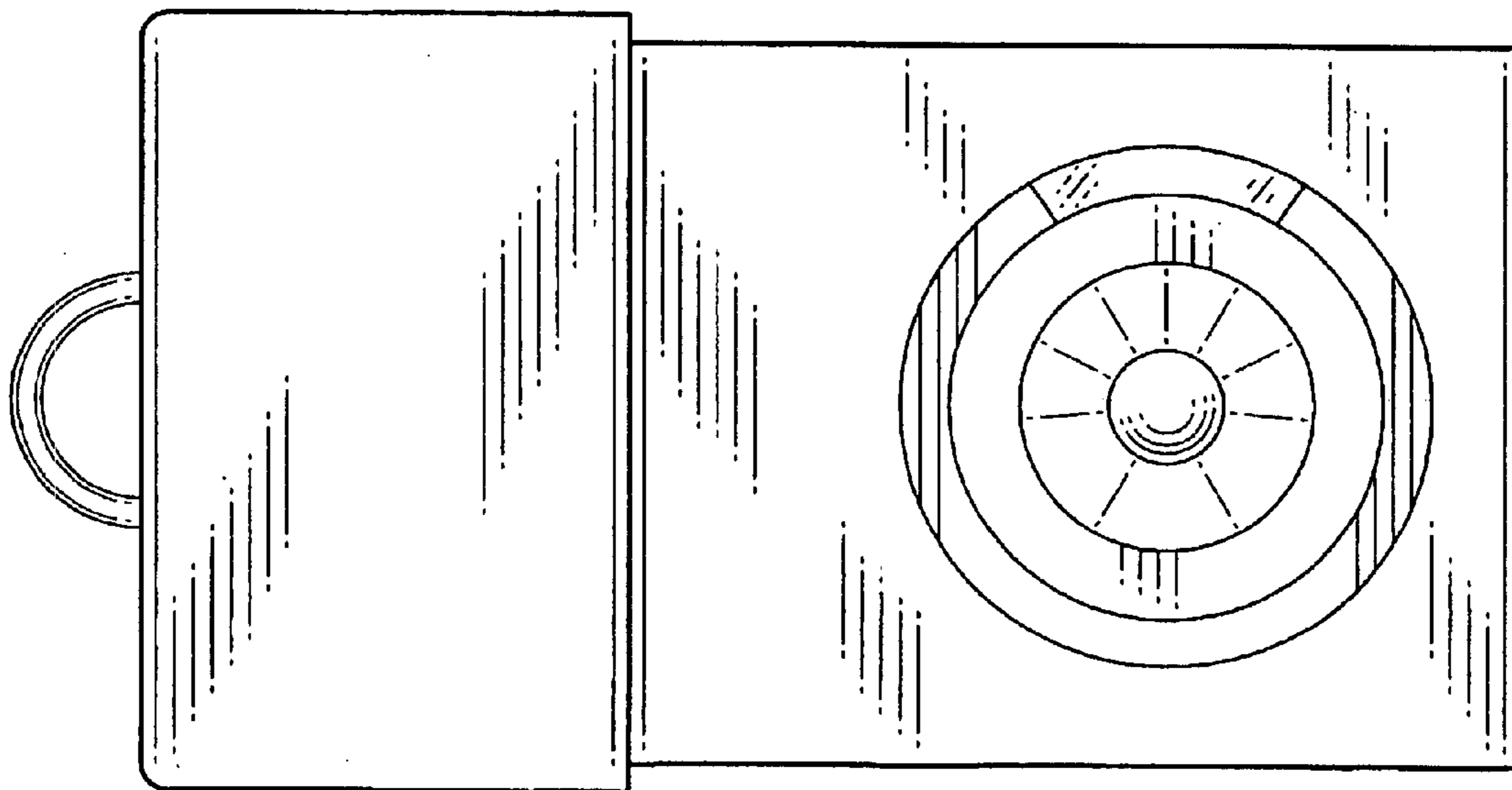


FIG.3

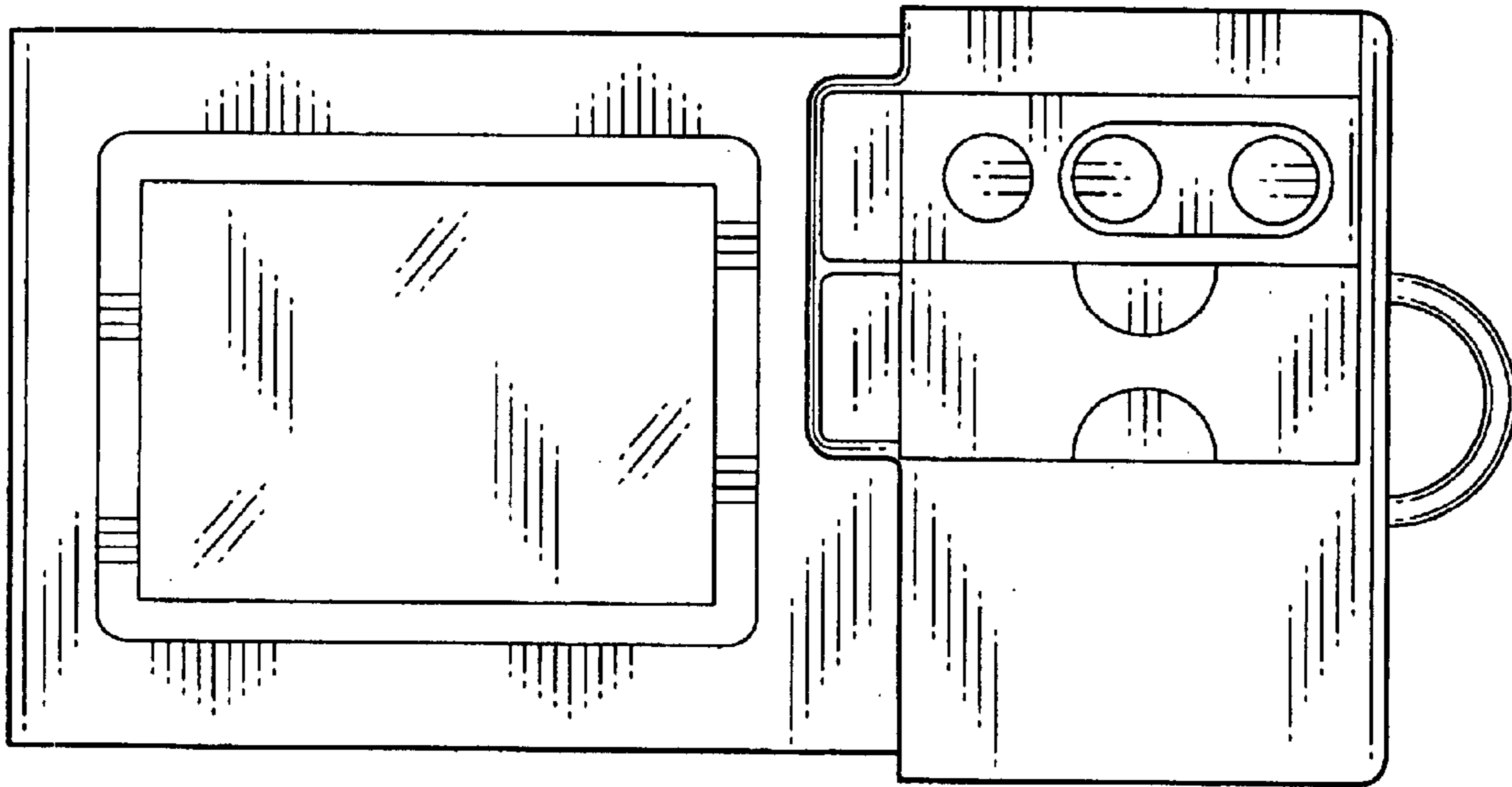


FIG.4

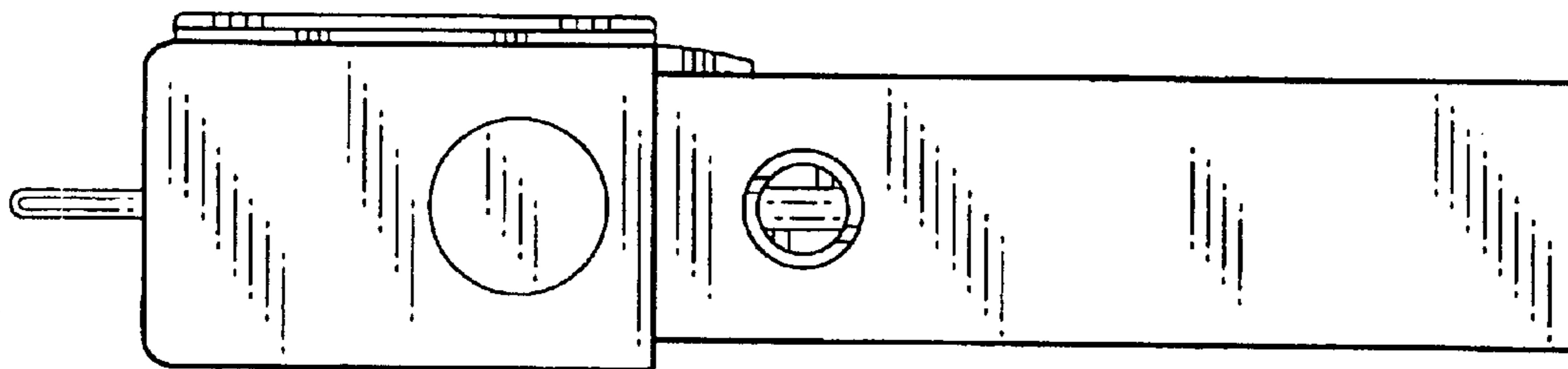


FIG.5

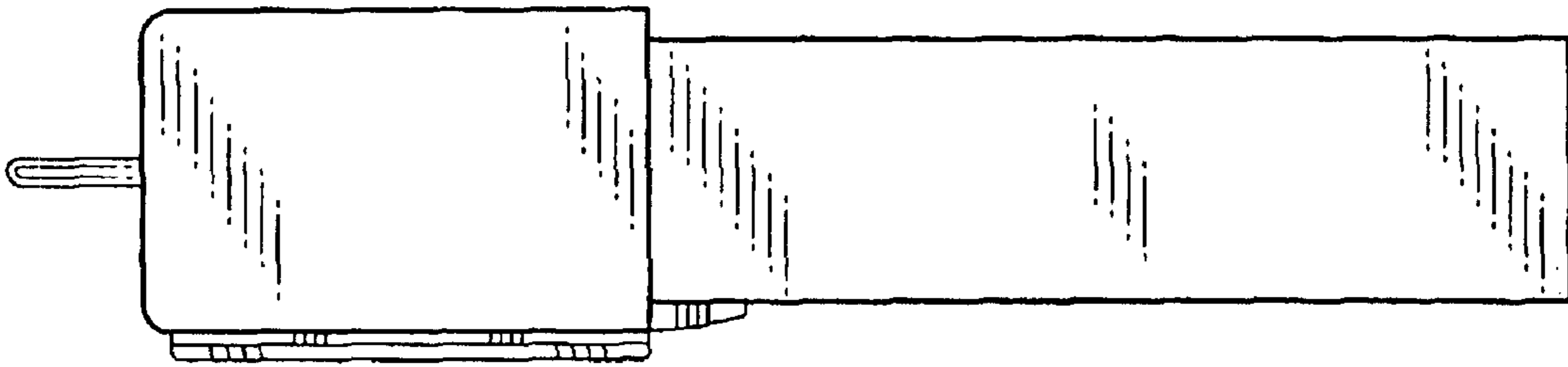


FIG.6

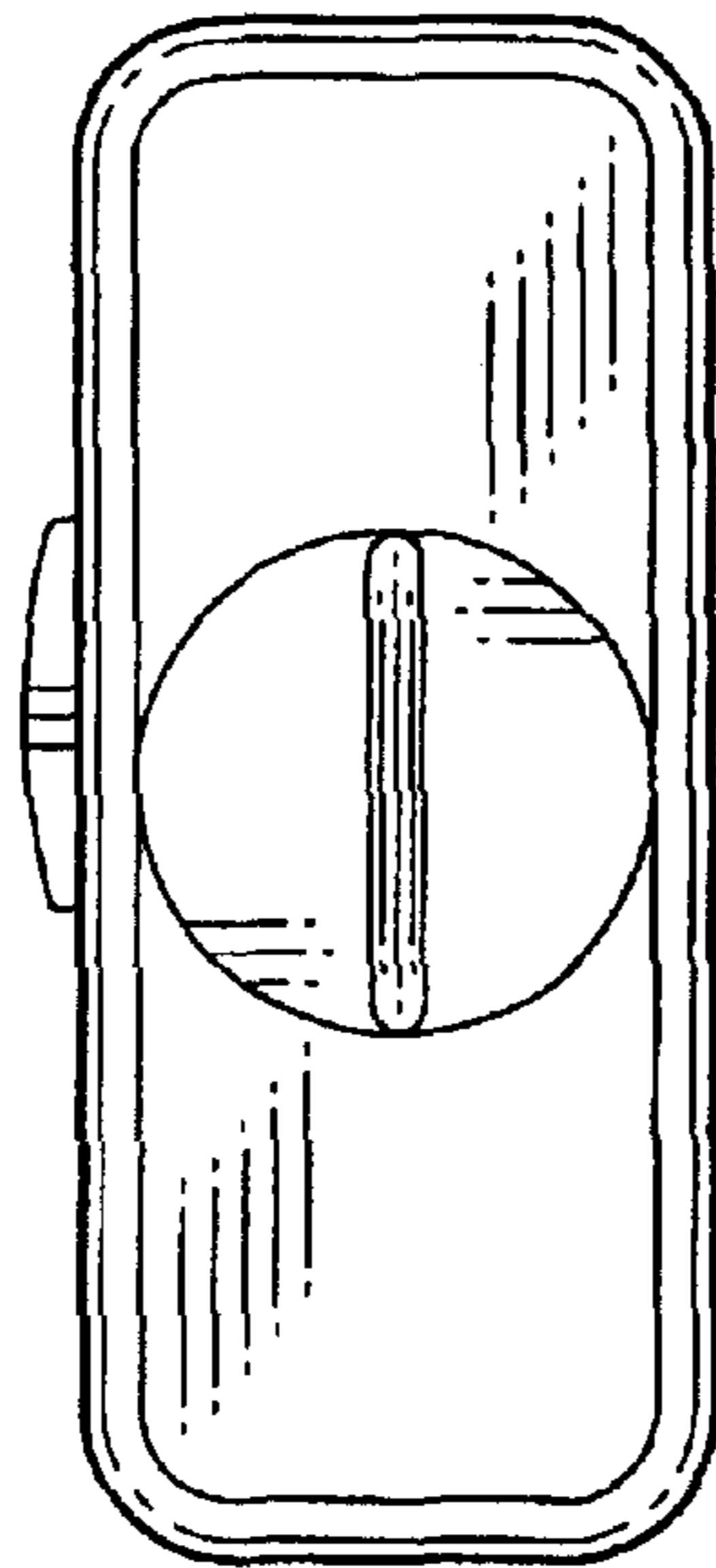


FIG.7

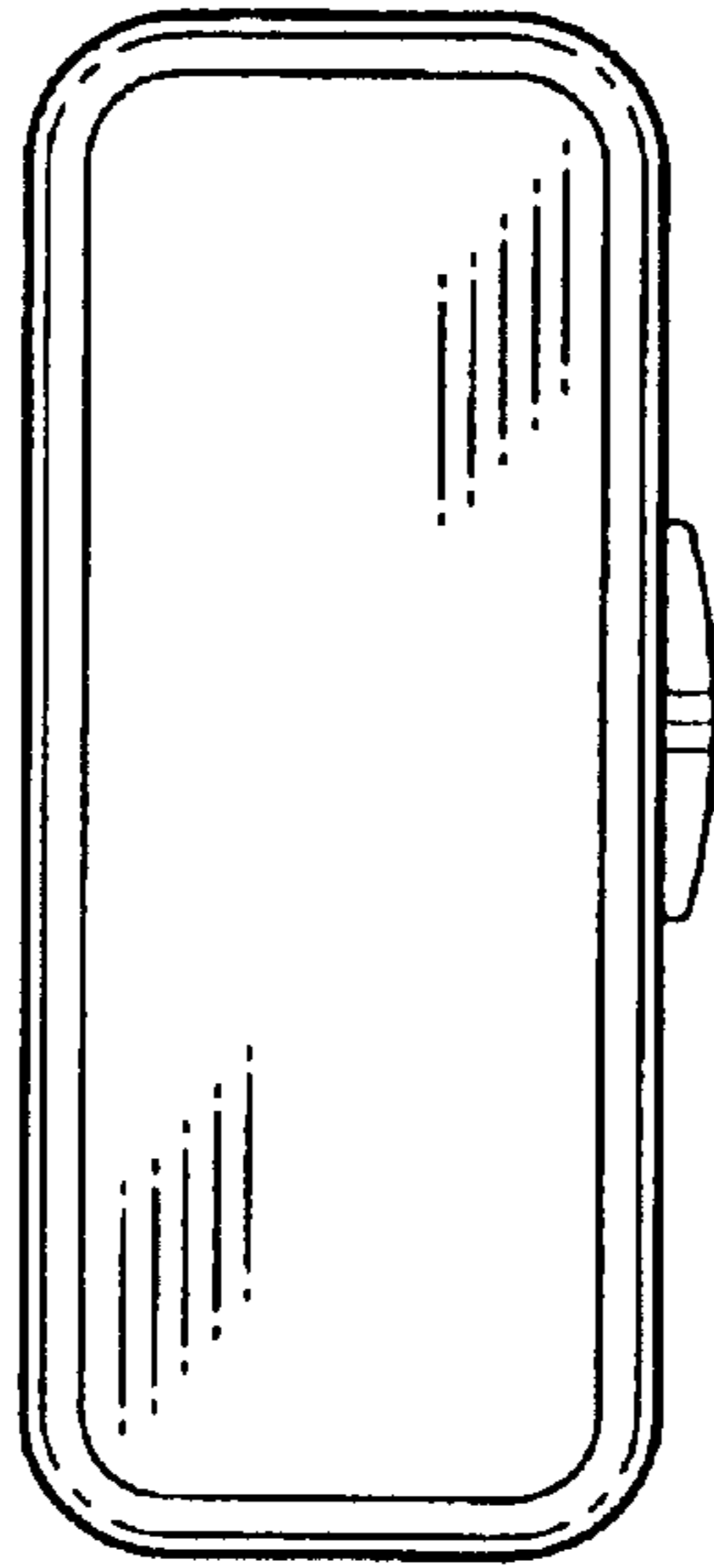


FIG.8

