

US00D540834S

(12) **United States Design Patent** (10) **Patent No.:** **US D540,834 S**
Ayala et al. (45) **Date of Patent:** **** Apr. 17, 2007**

(54) **ROLLER DIE PRESS**
(75) Inventors: **Gerardo D. Ayala**, Provo, UT (US);
Michael Horito, Provo, UT (US); **Tyler Allan**, Springville, UT (US)
(73) Assignee: **Provo Craft and Novelty, Inc.**,
Spanish Fork, UT (US)
(**) Term: **14 Years**
(21) Appl. No.: **29/252,907**
(22) Filed: **Jan. 30, 2006**
(51) **LOC (8) Cl.** **15-09**
(52) **U.S. Cl.** **D15/136**
(58) **Field of Classification Search** D15/123,
D15/128, 135, 136; 100/39, 83, 176, 233,
100/245, 282, 327, 918; 101/22, 28, 120,
101/127.1, 244, 336; 156/495, 522, 542,
156/555-556, 579, DIG. 2, DIG. 27, DIG. 33,
156/DIG. 39, DIG. 42, DIG. 48; 242/156,
242/419.9; 452/142
See application file for complete search history.

3,261,044 A 7/1966 Hoff
3,264,978 A * 8/1966 Staley 101/28
3,266,358 A 8/1966 Cox et al.
D211,608 S 7/1968 Gray
3,400,625 A 9/1968 Wrona
3,555,949 A * 1/1971 Treff 83/125
3,667,334 A 6/1972 Brunett
3,926,032 A 12/1975 Brooks et al.
3,935,811 A 2/1976 Lenz et al.
3,986,447 A 10/1976 Zimmer
4,065,990 A 1/1978 Edhlund
D257,777 S 1/1981 Eichenberg et al.
4,345,516 A 8/1982 Sinclair
4,462,291 A 7/1984 Schulz
4,537,546 A 8/1985 Lucas
4,638,731 A 1/1987 Kato
4,697,485 A * 10/1987 Raney 83/34

(Continued)

FOREIGN PATENT DOCUMENTS

JP 11-034184 2/1999
JP 2000-127095 5/2000
WO WO 03/016035 2/2003

Primary Examiner—Antoine D. Davis
Assistant Examiner—Patricia Palasik
(74) *Attorney, Agent, or Firm*—Morriss O'Bryant
Compagni, P.C.

(56) **References Cited**

U.S. PATENT DOCUMENTS

756,902 A 4/1904 Shoemaker
896,478 A 8/1908 Stockman
1,453,405 A 5/1923 Platt
1,658,823 A 2/1928 Willard
1,950,726 A * 3/1934 Graybill 72/398
2,019,009 A 10/1935 Hendrix
2,111,057 A * 3/1938 Swanson 101/22
2,112,011 A 3/1938 Byerlein
D110,803 S * 8/1938 Ditty D18/14
2,164,806 A * 7/1939 Eickman 83/205
2,260,183 A 10/1941 Leslie
2,619,173 A 11/1952 Crain
2,625,908 A 1/1953 Knott
2,641,781 A 6/1953 Haskell
3,064,559 A 11/1962 Treer
3,094,091 A 6/1963 Peccerill

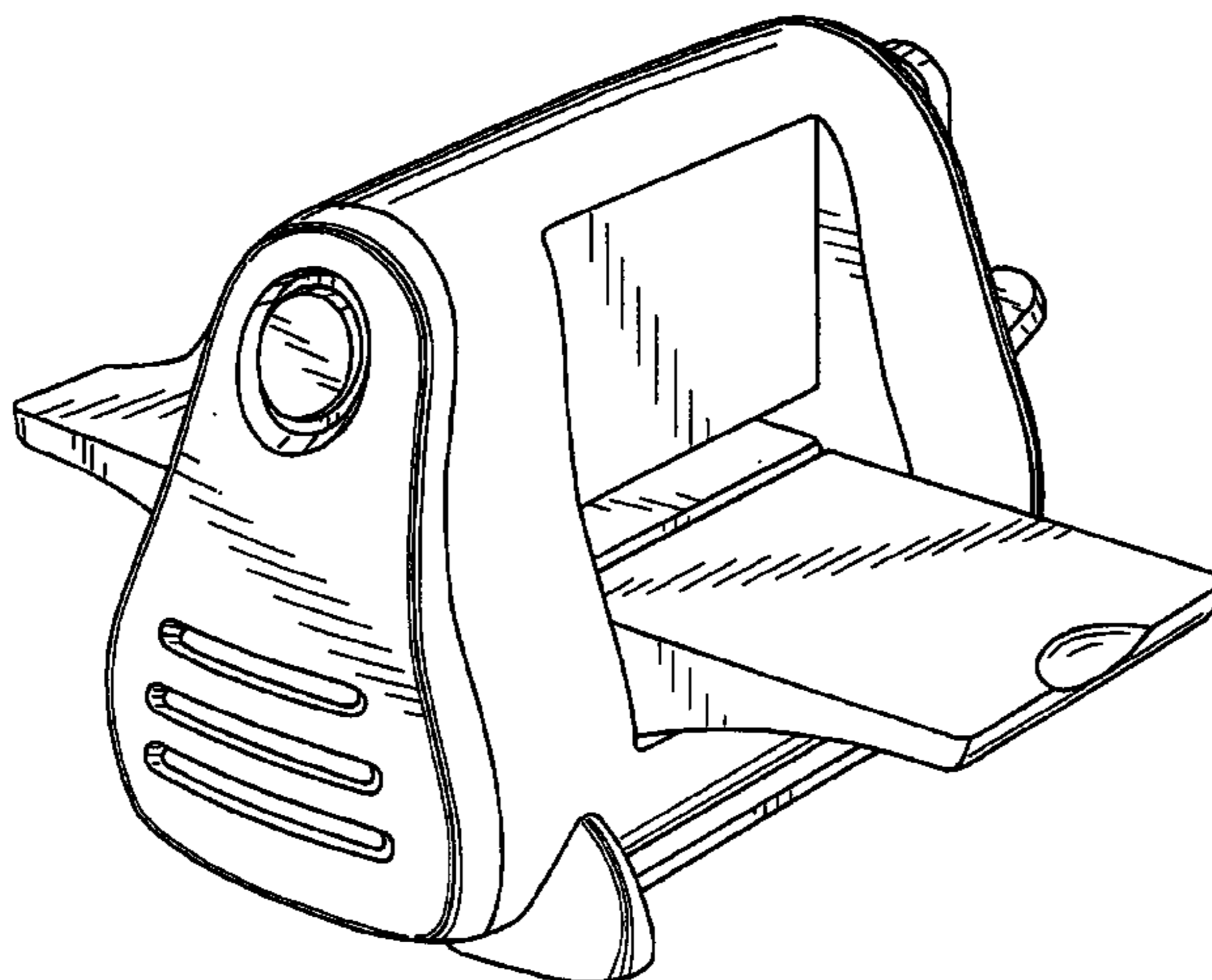
(57) **CLAIM**

The ornamental design for a roller die press, as shown and described.

DESCRIPTION

FIG. 1 is a perspective view of the roller die press; FIG. 2 is a perspective view of the roller die press; FIG. 3 is a front side view of the roller die press; FIG. 4 is a back side view of the roller die press; FIG. 5 is a left side view of the roller die press; FIG. 6 is a right side view of the roller die press; FIG. 7 is a top side view of the roller die press; and, FIG. 8 is a bottom side view of the roller die press.

1 Claim, 4 Drawing Sheets



US D540,834 S

Page 2

U.S. PATENT DOCUMENTS					
D296,565	S	7/1988 Eichenberg et al.	D472,564	S	4/2003 Corcoran et al.
4,761,988	A	8/1988 Kato	6,619,195	B2	9/2003 Corcoran et al.
4,763,551	A	8/1988 Halff et al.	6,843,296	B2 *	1/2005 Lemens et al. 156/555
5,069,732	A *	12/1991 Levine 100/211	D508,701	S *	8/2005 Corcoran et al. D15/123
5,172,622	A	12/1992 Sabin	6,945,166	B2	9/2005 Corcoran et al.
5,230,156	A	7/1993 Patenaude	7,066,083	B2	6/2006 Corcoran et al.
5,255,587	A	10/1993 Eichenberg et al.	7,104,304	B2 *	9/2006 Ensign et al. 156/555
D341,842	S	11/1993 Eichenberg et al.	2002/0178935	A1	12/2002 Corcoran et al.
D359,967	S	7/1995 Eichenberg et al.	2003/0019370	A1	1/2003 Corcoran et al.
5,544,576	A	8/1996 Kato	2003/0098123	A1 *	5/2003 Miller 156/555
5,584,962	A *	12/1996 Bradshaw et al. 156/522	2004/0112196	A1	6/2004 Corcoran et al.
5,628,226	A	5/1997 Weissman	2005/0056166	A1	3/2005 Corcoran et al.
D380,488	S	7/1997 Elstad et al.	2005/0061168	A1	3/2005 Corcoran et al.
5,775,213	A	7/1998 Hyde	2005/0253324	A1	11/2005 Corcoran et al.
D400,914	S	11/1998 Corcoran et al.	2005/0268761	A1	12/2005 Corcoran et al.
D468,187	S	1/2003 Corcoran et al.	2006/0032385	A1	2/2006 Corcoran et al.

* cited by examiner

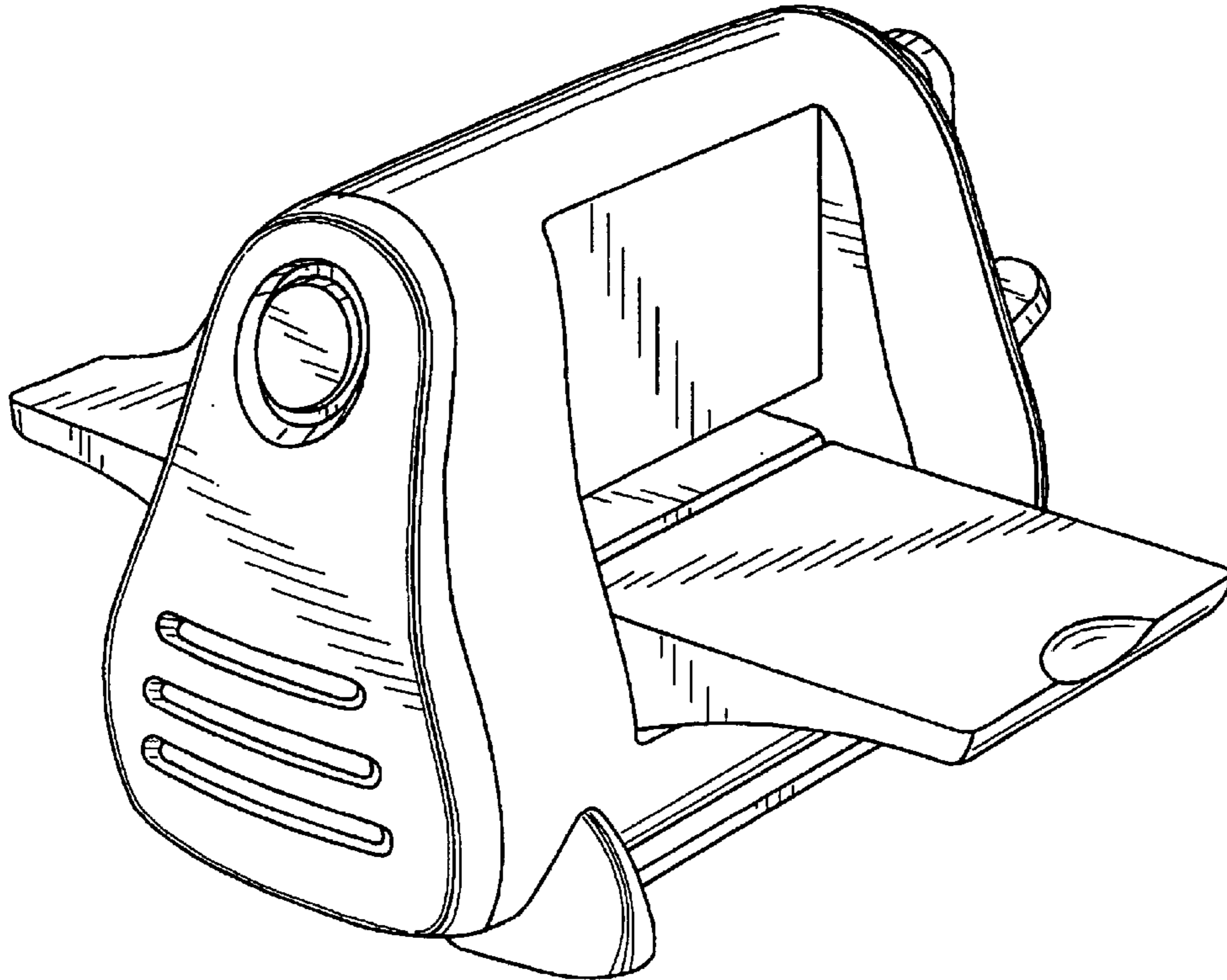


FIG. 1

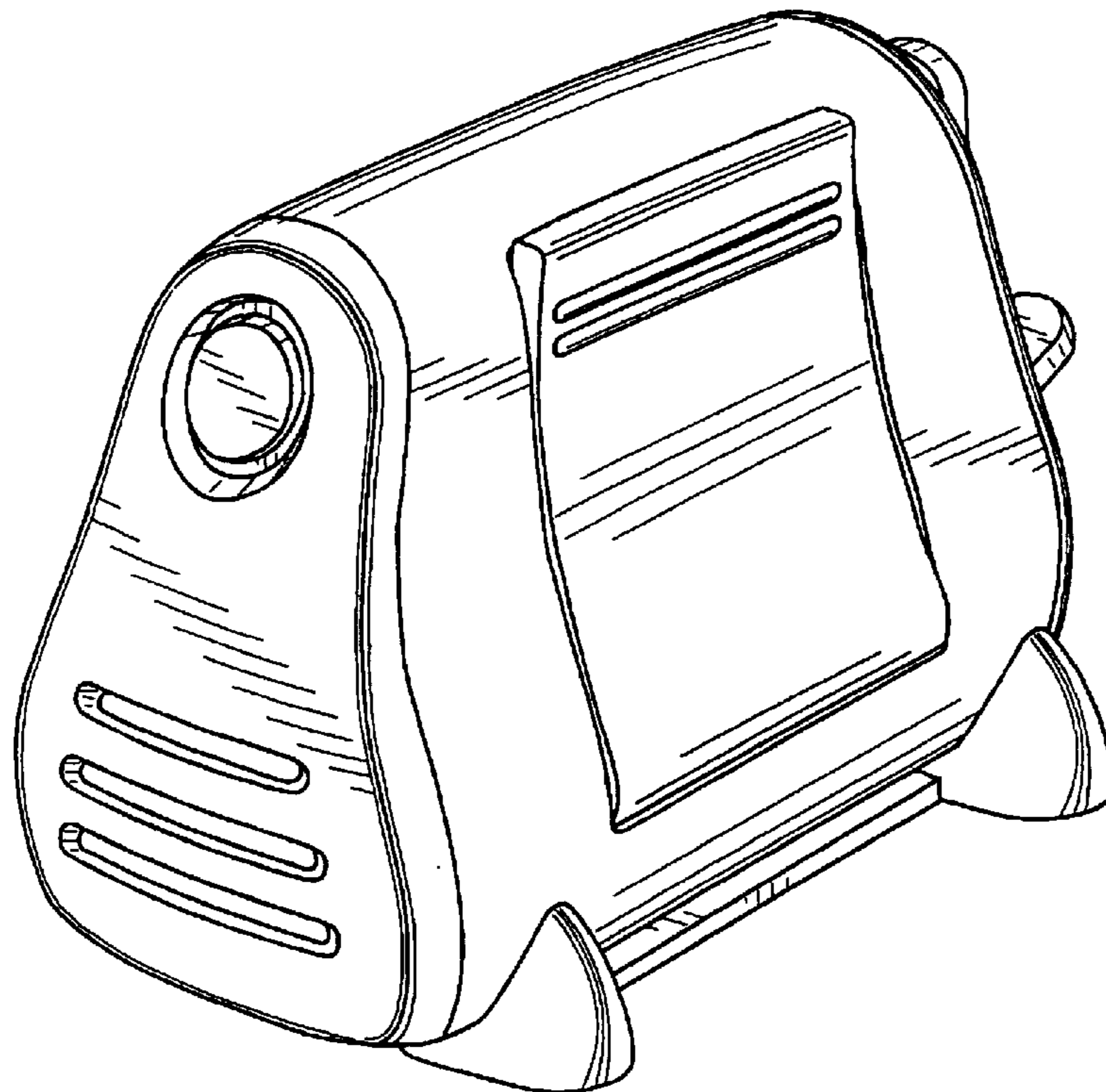


FIG. 2

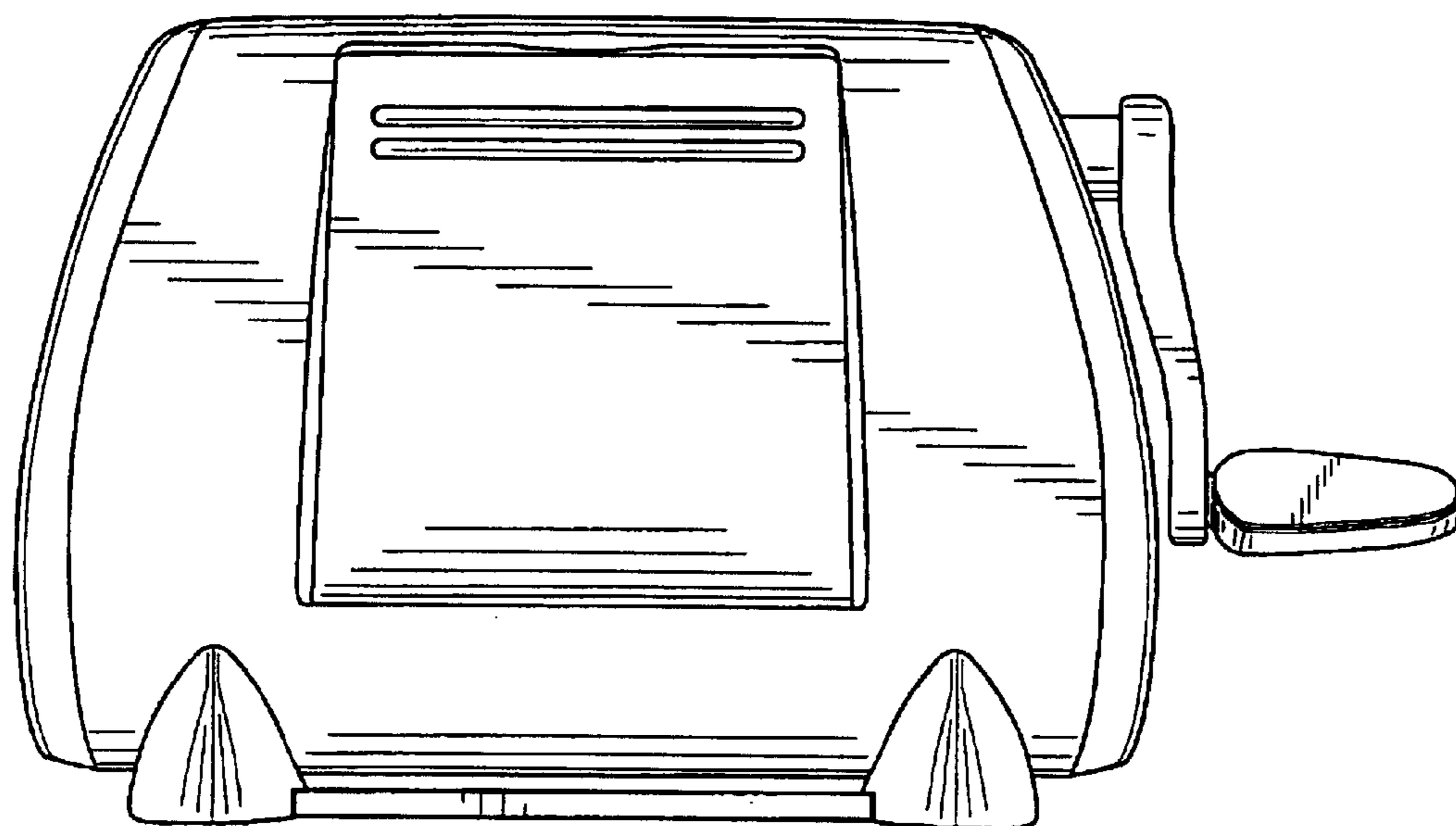


FIG. 3

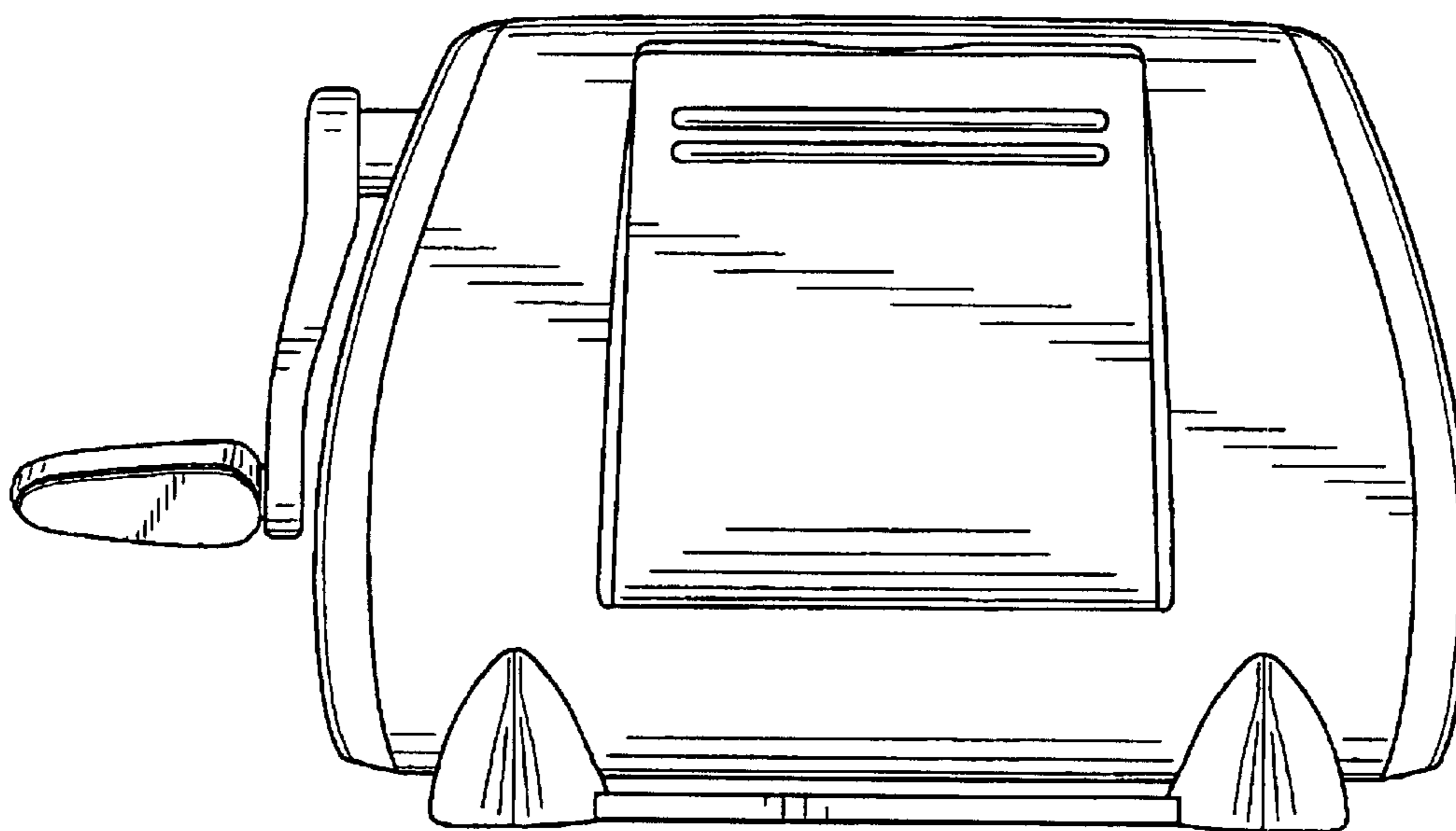


FIG. 4

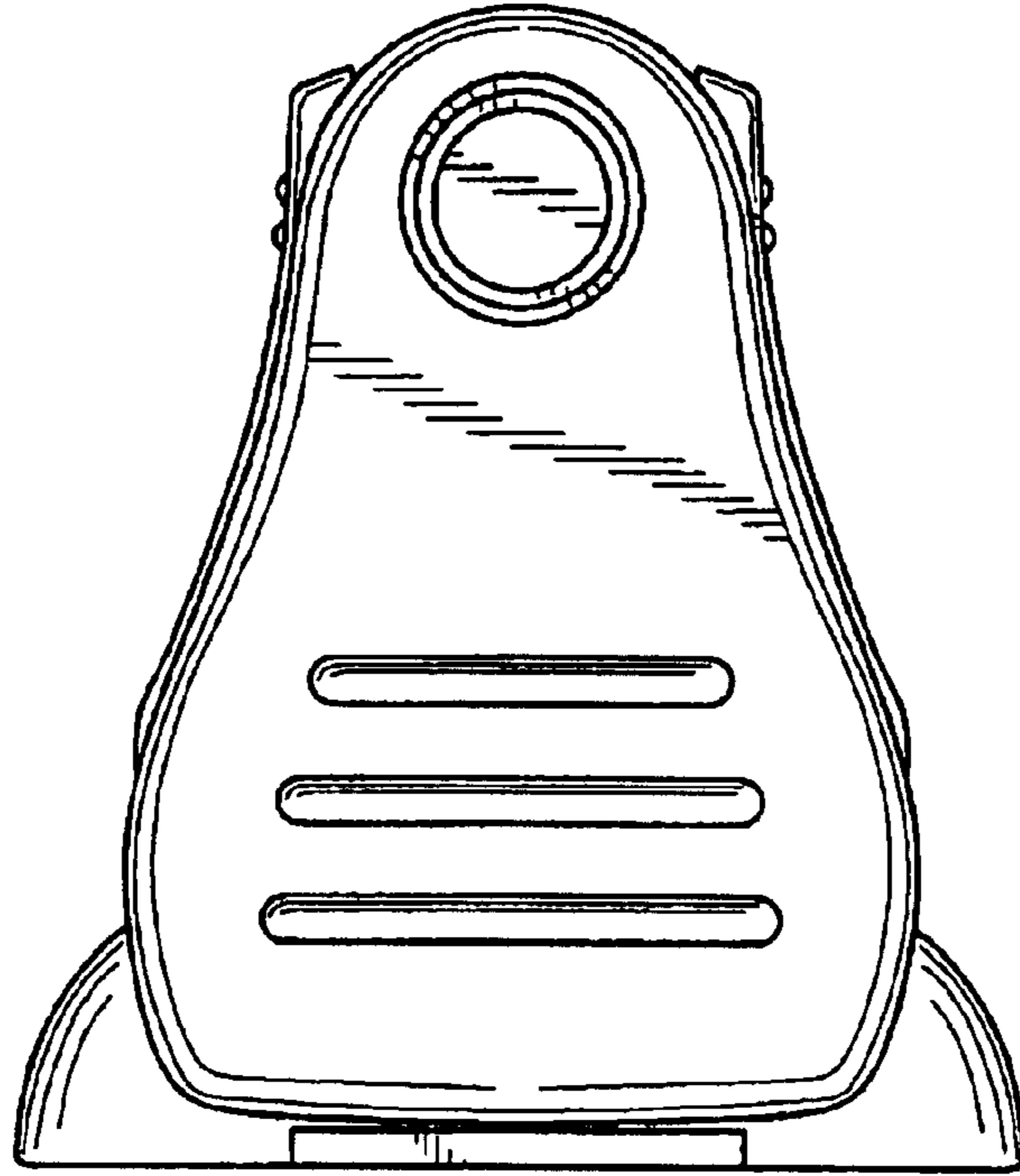


FIG. 5

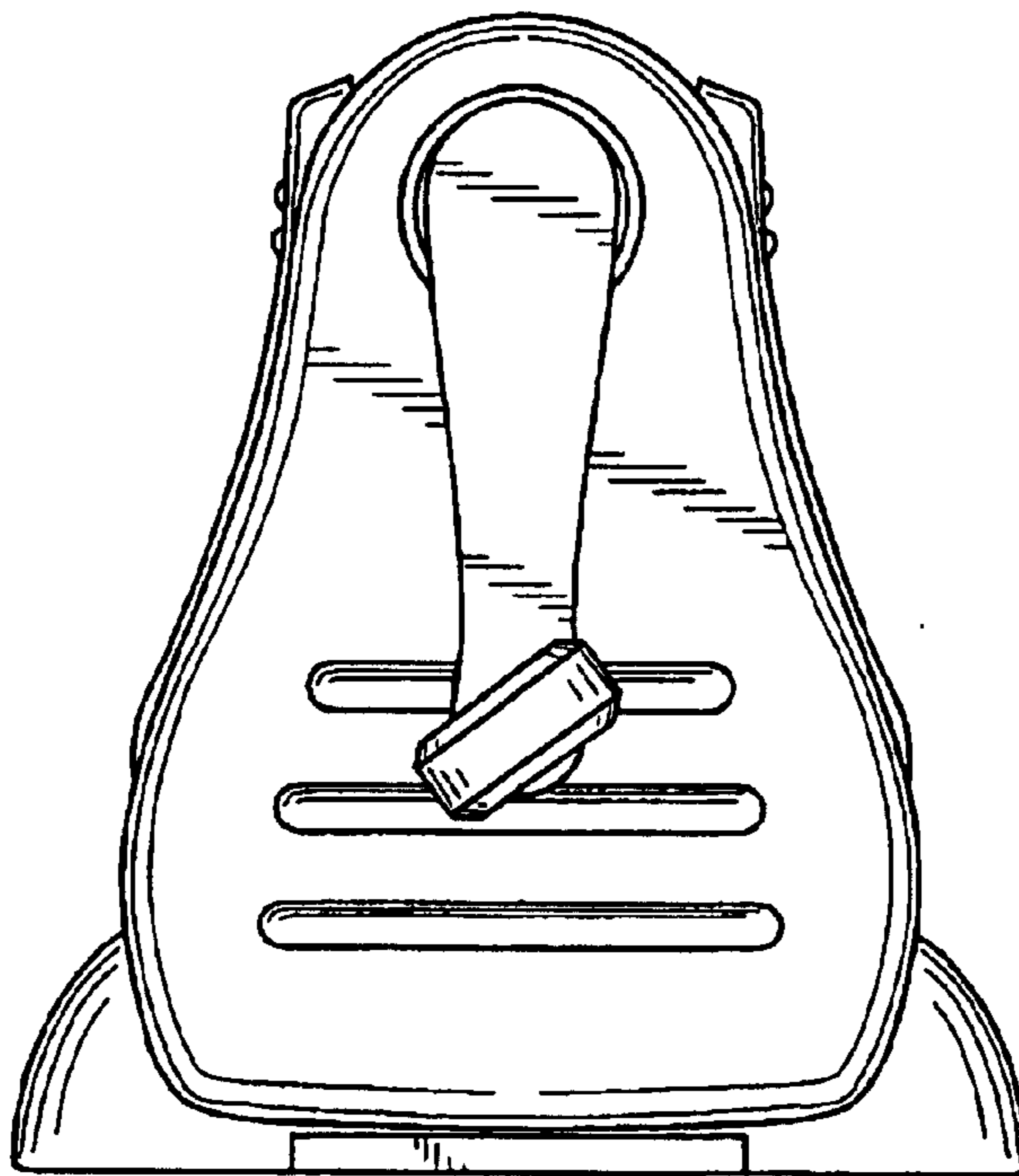


FIG. 6

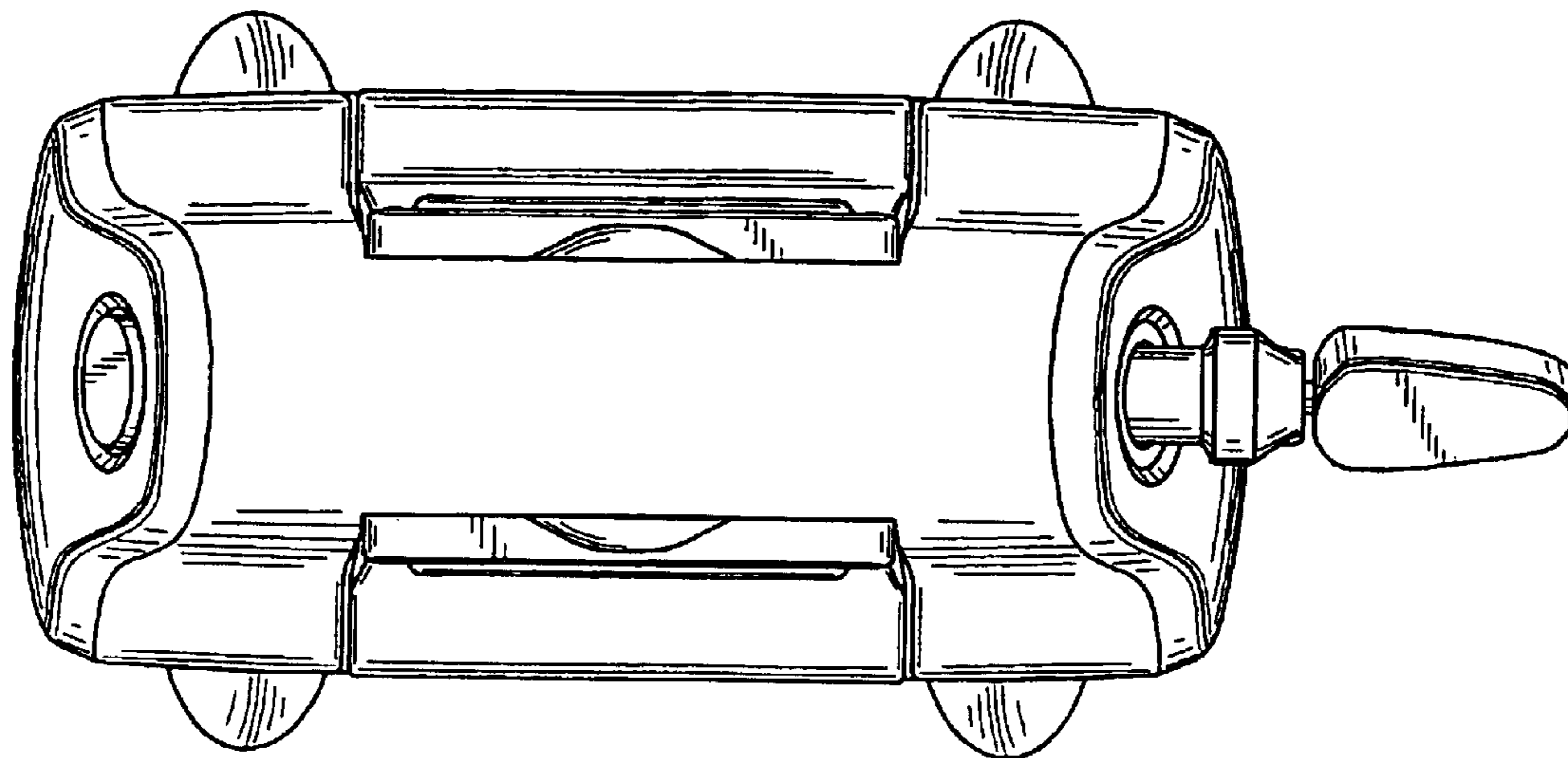


FIG. 7

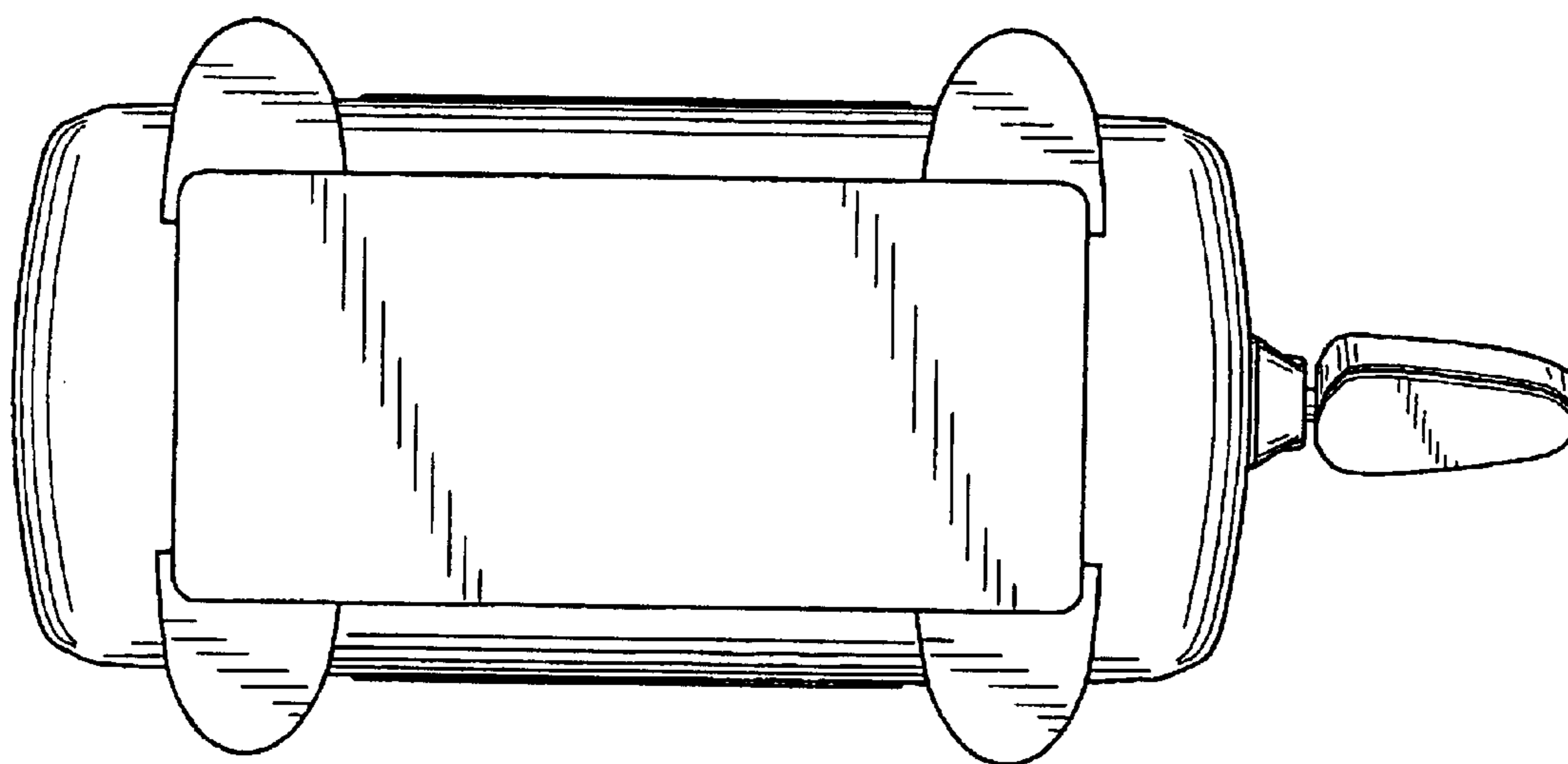


FIG. 8