



US00D540831S

(12) **United States Design Patent**  
**Kim et al.**

(10) **Patent No.:** **US D540,831 S**

(45) **Date of Patent:** **\*\* Apr. 17, 2007**

(54) **REFRIGERATOR FOR WINES**

(75) Inventors: **Jang Won Kim**, Seoul (KR); **Dae Kyun Lee**, Seoul (KR)

(73) Assignee: **Samsung Electronics Co., Ltd.** (KR)

(\*\*) Term: **14 Years**

(21) Appl. No.: **29/257,187**

(22) Filed: **Mar. 30, 2006**

(30) **Foreign Application Priority Data**

Dec. 13, 2005 (KR) ..... 30-2005-0042109

(51) **LOC (8) Cl.** ..... **15-07**

(52) **U.S. Cl.** ..... **D15/81**

(58) **Field of Classification Search** ..... D15/79,  
D15/80, 81, 82, 88; 62/3.6, 3.63, 3.64, 66,  
62/125, 126, 238.5, 389, 457.8; 312/116,  
312/138.1, 236, 405, 406; D7/605; D9/414,  
D9/430, 432

See application file for complete search history.

(56) **References Cited**

**U.S. PATENT DOCUMENTS**

D253,536 S \* 11/1979 Shibata et al. .... D15/88  
D266,000 S \* 8/1982 Kawakami ..... D15/88

D422,286 S \* 4/2000 Choi et al. .... D15/81  
D452,869 S \* 1/2002 Ma et al. .... D15/81  
D453,169 S \* 1/2002 Ma et al. .... D15/81  
D460,466 S \* 7/2002 Ma et al. .... D15/79  
D468,325 S \* 1/2003 Lorek et al. .... D15/81  
D468,755 S \* 1/2003 Muniz-Rivera et al. .... D15/81  
D474,486 S \* 5/2003 Uihlein et al. .... D15/91  
D492,705 S \* 7/2004 King ..... D15/81  
D512,082 S \* 11/2005 Lowery et al. .... D15/88

\* cited by examiner

*Primary Examiner*—Stella Reid

*Assistant Examiner*—Shanda C. Hill

(74) *Attorney, Agent, or Firm*—Irving Keschner

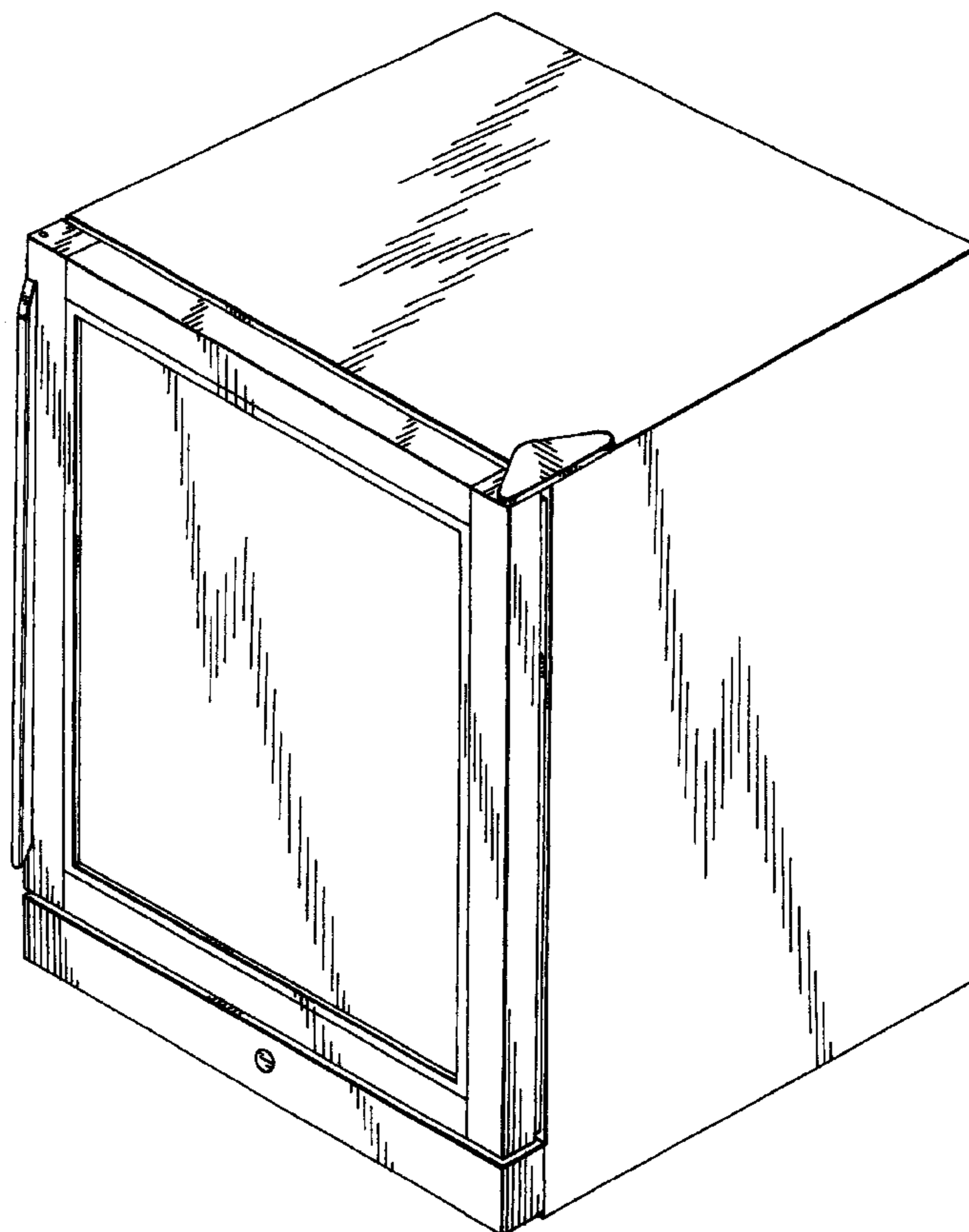
(57) **CLAIM**

The ornamental design for refrigerator for wines, as shown.

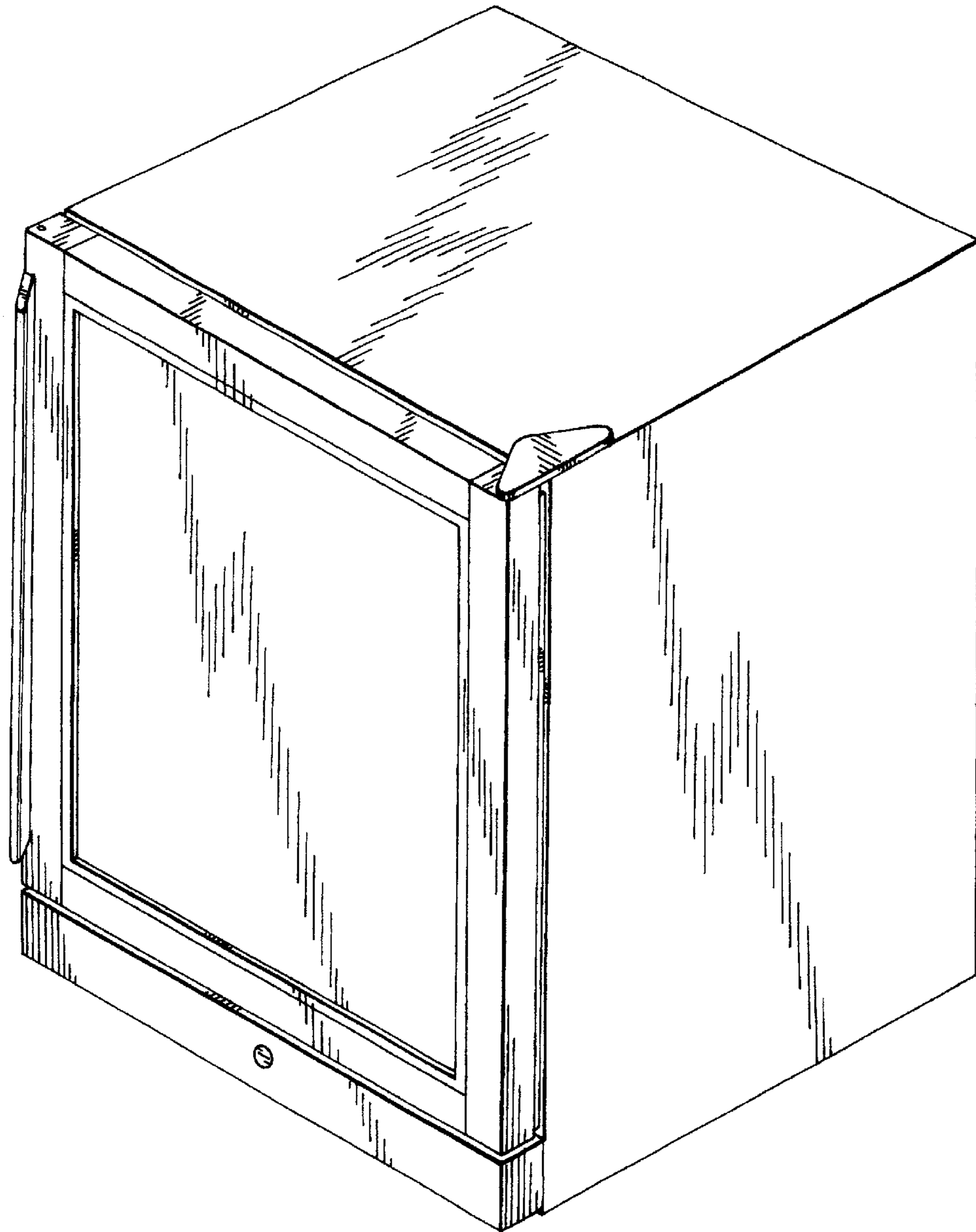
**DESCRIPTION**

FIG. 1 is a perspective view of a refrigerator for wines showing our new design;  
FIG. 2 is a front elevational view thereof;  
FIG. 3 is a rear elevational view thereof;  
FIG. 4 is a left side elevational view thereof;  
FIG. 5 is a right side elevational view;  
FIG. 6 is top plan view thereof; and,  
FIG. 7 is bottom plan view thereof.

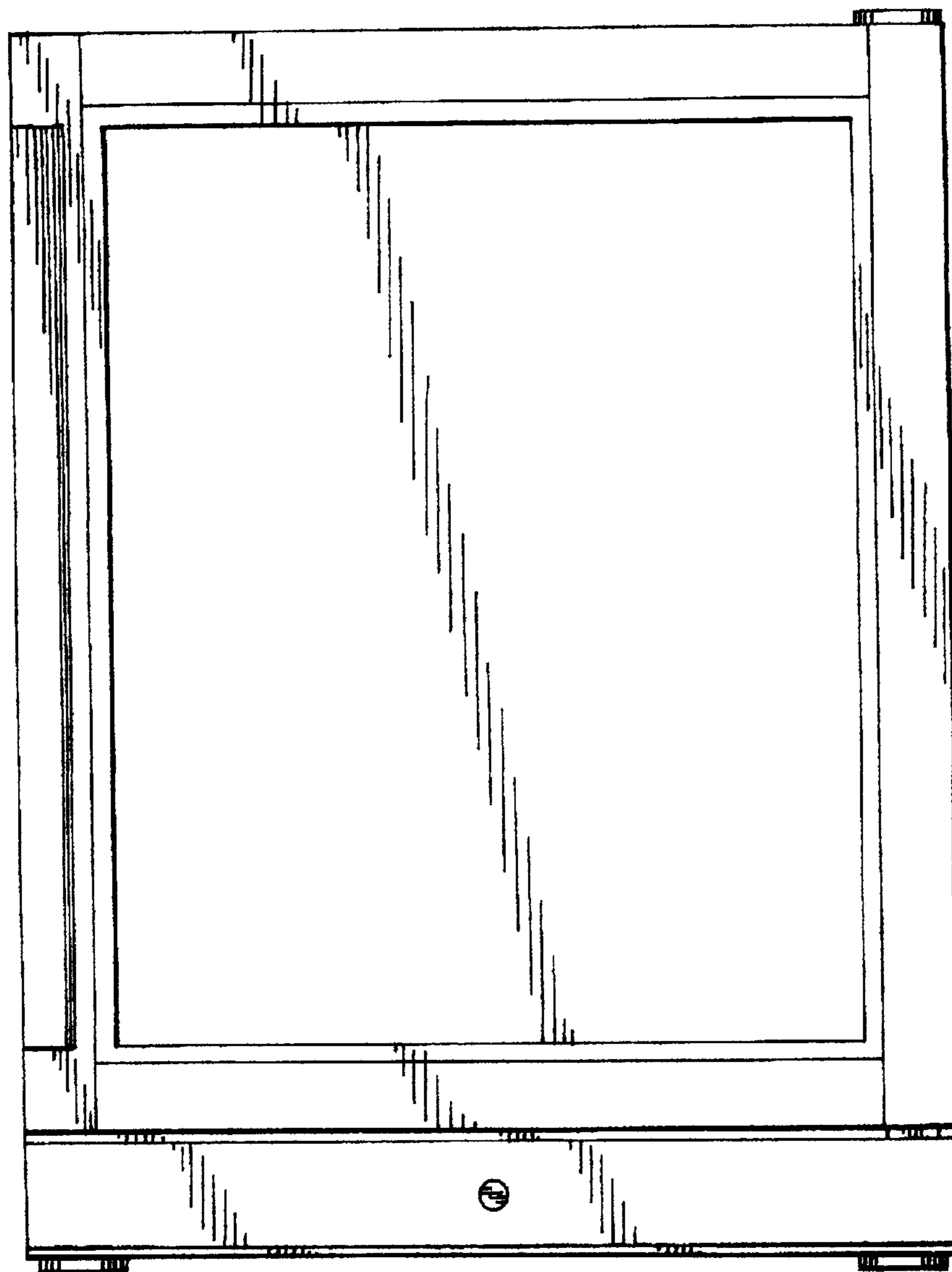
**1 Claim, 7 Drawing Sheets**



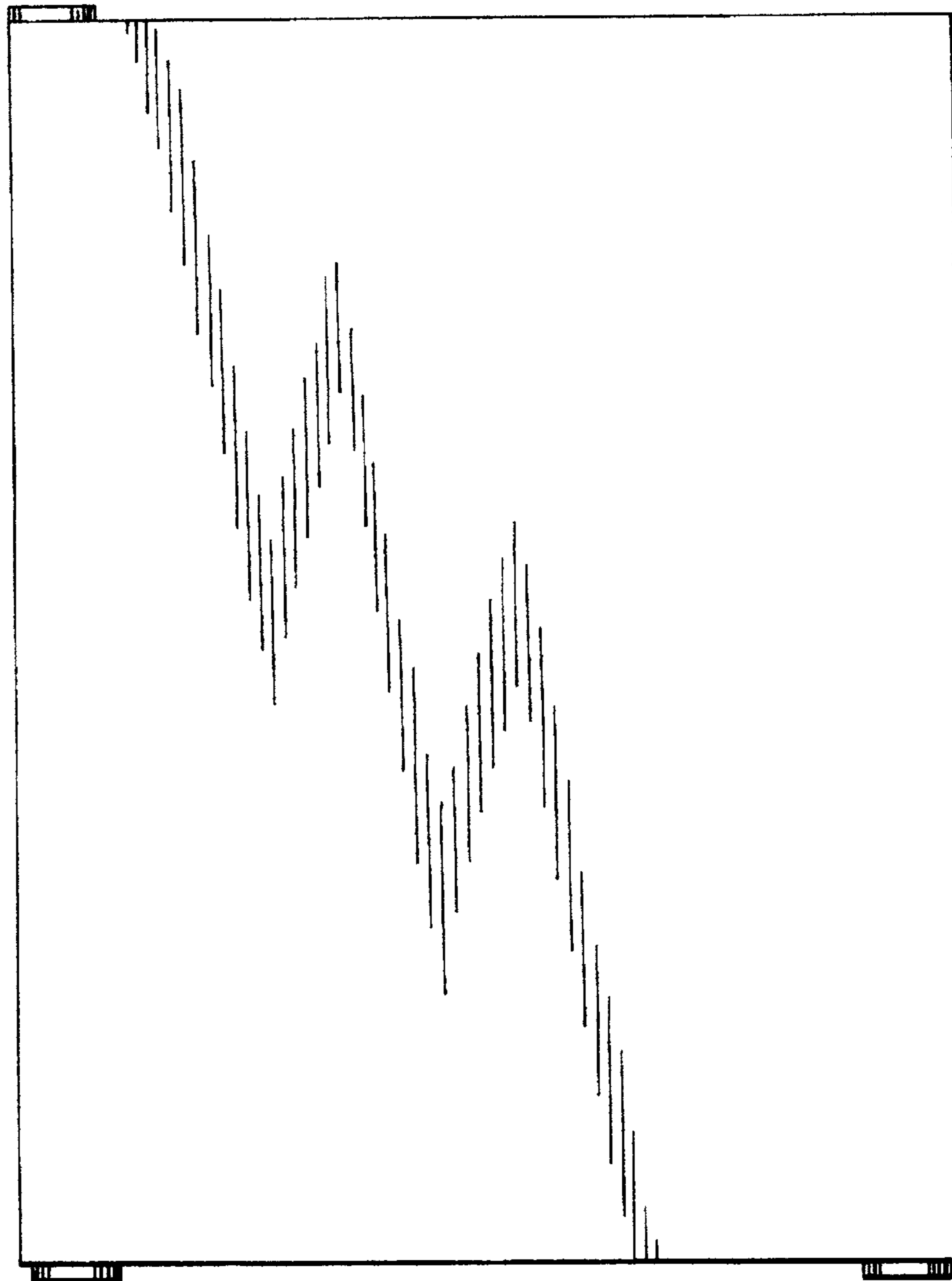
*FIG. 1*



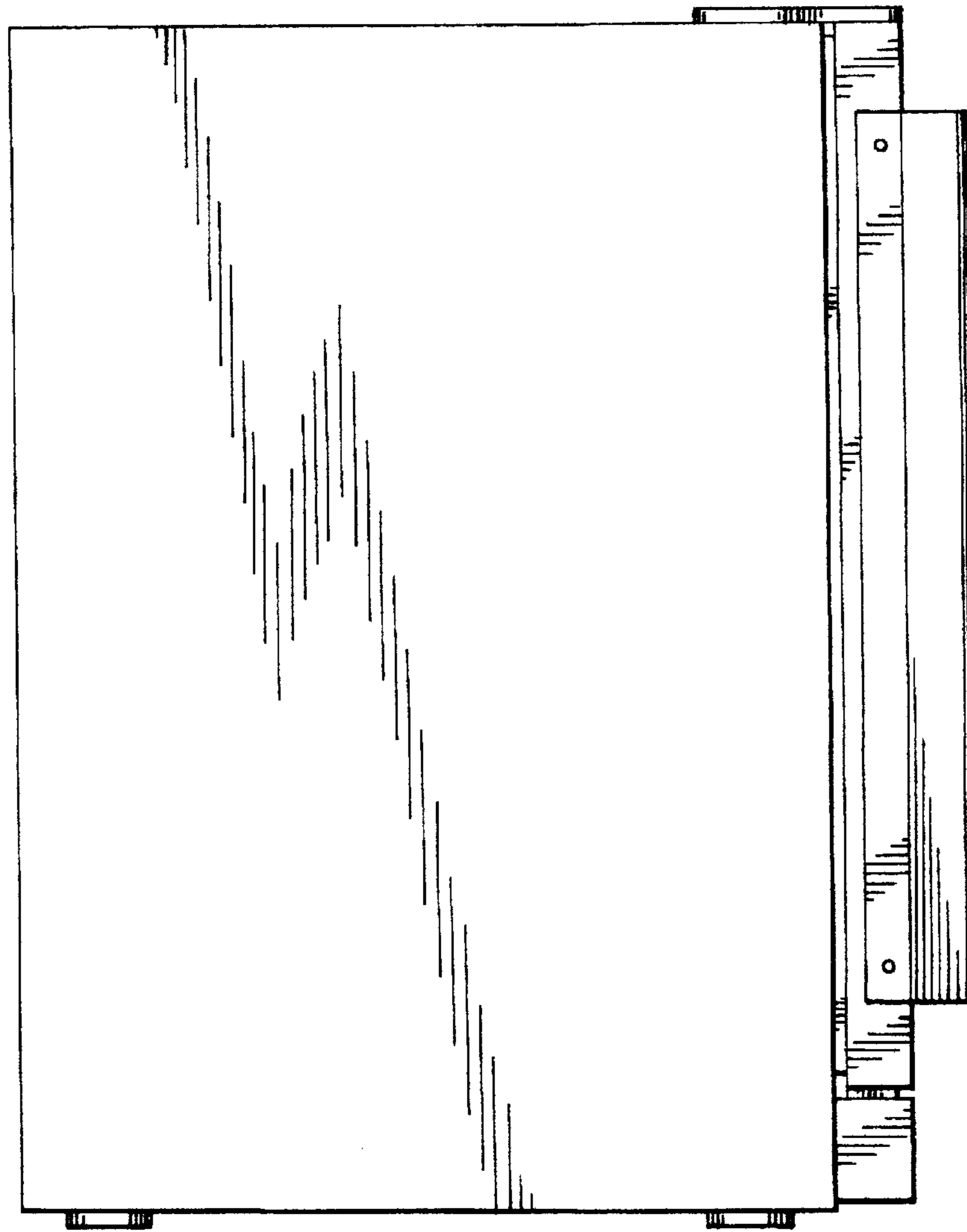
*FIG. 2*



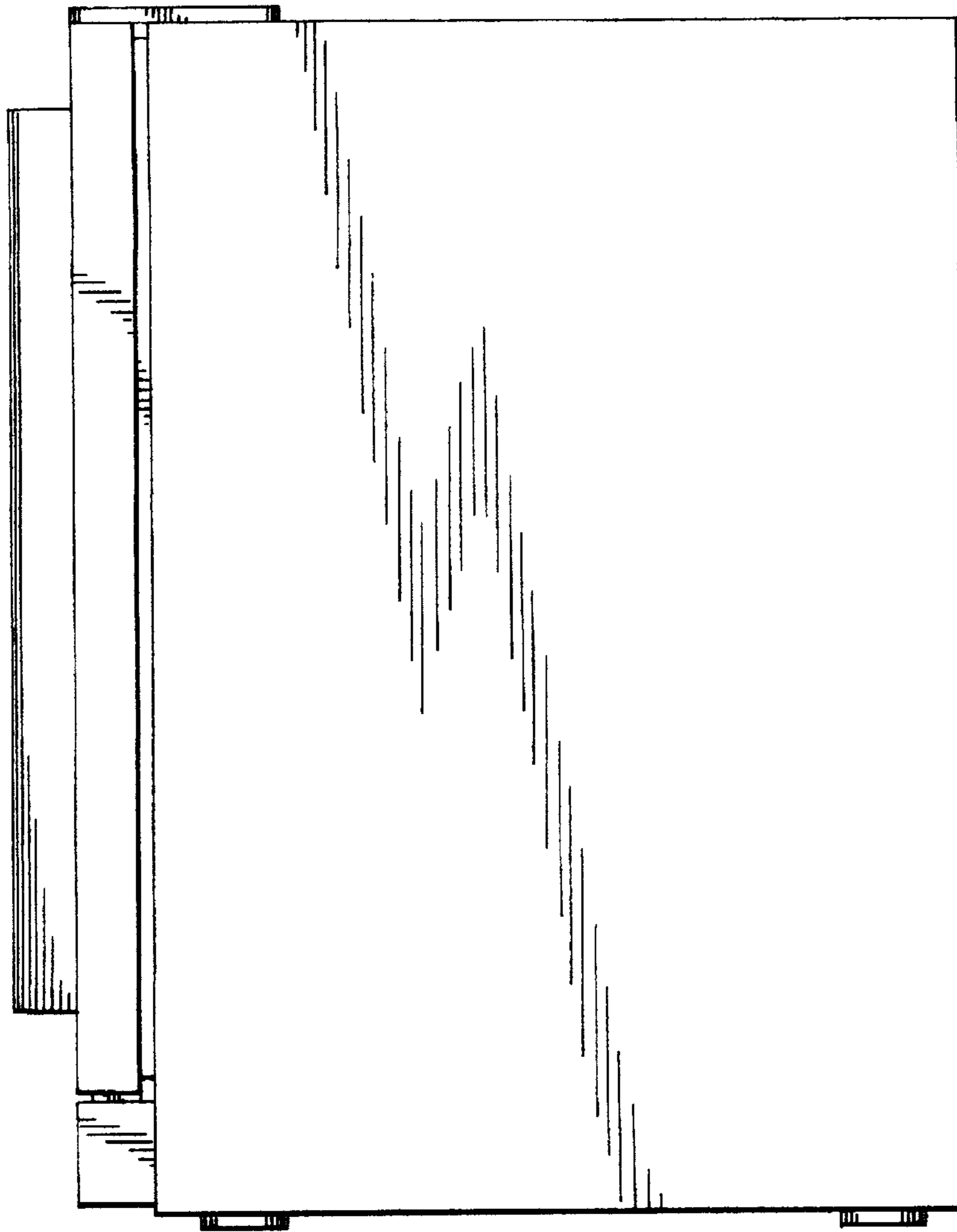
*FIG. 3*



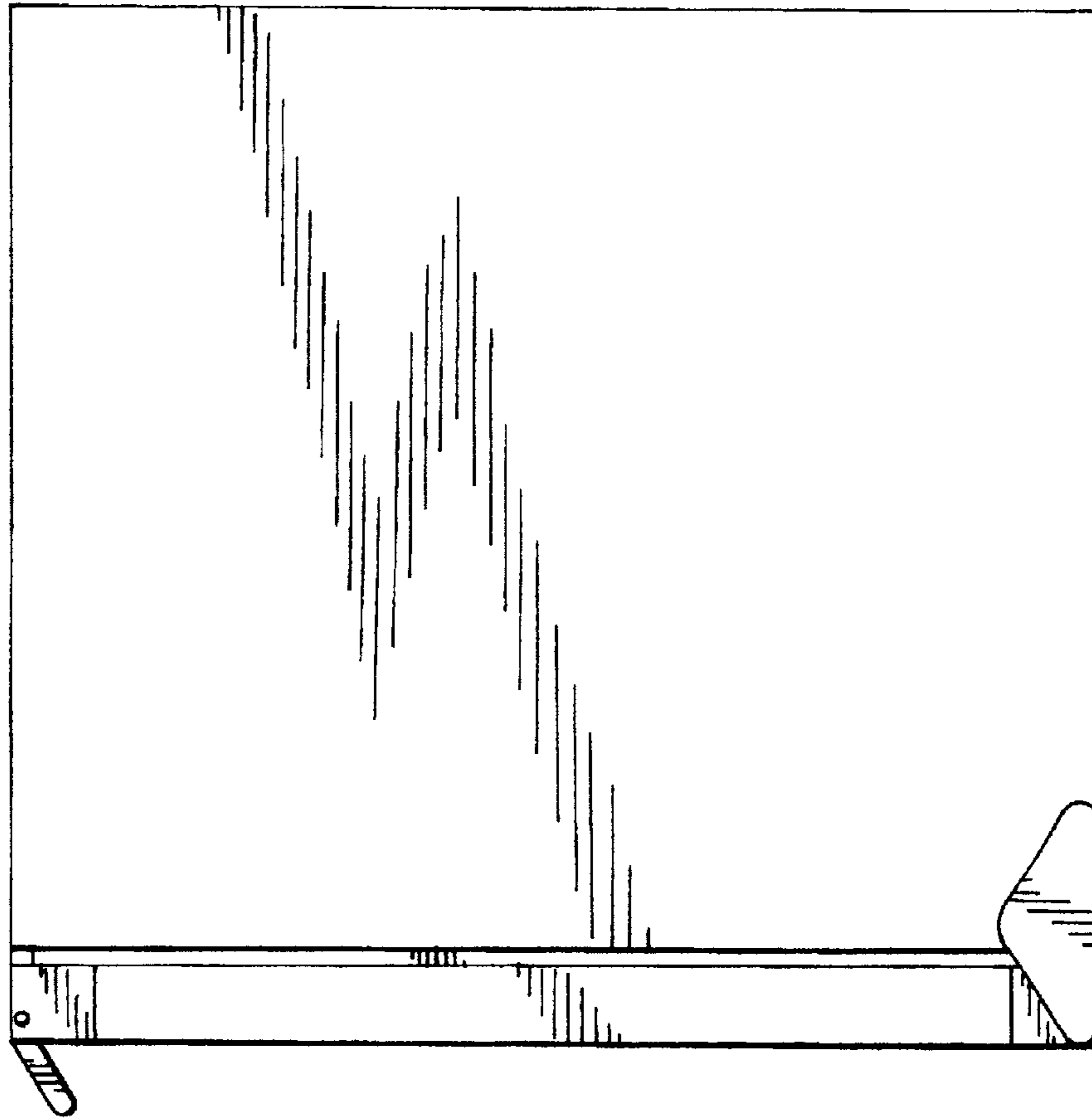
*FIG. 4*



*FIG. 5*



*FIG. 6*



*FIG. 7*

