

US00D540827S

(12) **United States Design Patent**
Notaras et al.

(10) **Patent No.: US D540,827 S**

(45) **Date of Patent: ** Apr. 17, 2007**

(54) **CULTIVATOR**

(76) Inventors: **John Arthur Notaras**, 9 Fred Street,
Lilyfield, New South Wales (AU), 2040;
Angelo Lambrinos Notaras, 9 Fred
Street, Lilyfield, New South Wales
(AU), 2050

(**) **Term: 14 Years**

(21) **Appl. No.: 29/245,921**

(22) **Filed: Dec. 30, 2005**

(30) **Foreign Application Priority Data**

Jul. 6, 2005 (AU) 12954/2005
Jul. 6, 2005 (AU) 12955/2005

(51) **LOC (8) Cl. 15-03**

(52) **U.S. Cl. D15/12**

(58) **Field of Classification Search** D15/10-12;
172/42, 43, 72, 260, 256, 250; 180/53.1
See application file for complete search history.

(56) **References Cited**

U.S. PATENT DOCUMENTS

D231,005 S * 3/1974 Noma et al. D15/12
D249,518 S * 9/1978 Cognata et al. D15/12
4,191,259 A * 3/1980 Boren 172/43
4,640,366 A * 2/1987 Saito 172/42
D297,238 S * 8/1988 Horikawa et al. D15/11
D354,496 S * 1/1995 Katoh et al. D15/12
5,573,069 A * 11/1996 Shipley 172/42
D415,502 S * 10/1999 Yoshida D15/12
D416,026 S * 11/1999 Ohsumi et al. D15/12
D449,052 S * 10/2001 Ito et al. D15/12

D475,067 S * 5/2003 Ito et al. D15/12
D486,502 S * 2/2004 Yuzuriha et al. D15/12
2004/0149457 A1 * 8/2004 Yamazaki et al. 172/42

* cited by examiner

Primary Examiner—Stella Reid
Assistant Examiner—Mark Goodwin
(74) *Attorney, Agent, or Firm*—Design IP

(57) **CLAIM**

The ornamental design for a cultivator, as shown and described.

DESCRIPTION

FIG. 1 is a perspective view of a cultivator showing our new design;

FIG. 2 is a right side orthographic view thereof;

FIG. 3 is a rear orthographic view thereof;

FIG. 4 is a front orthographic view thereof;

FIG. 5 is a left side orthographic view thereof;

FIG. 6 is a top orthographic view thereof;

FIG. 7 is a bottom orthographic view thereof;

FIG. 8 is a perspective view of a second embodiment of a cultivator showing our new design;

FIG. 9 is a right side orthographic view thereof;

FIG. 10 is a rear orthographic view thereof;

FIG. 11 is a front orthographic view thereof;

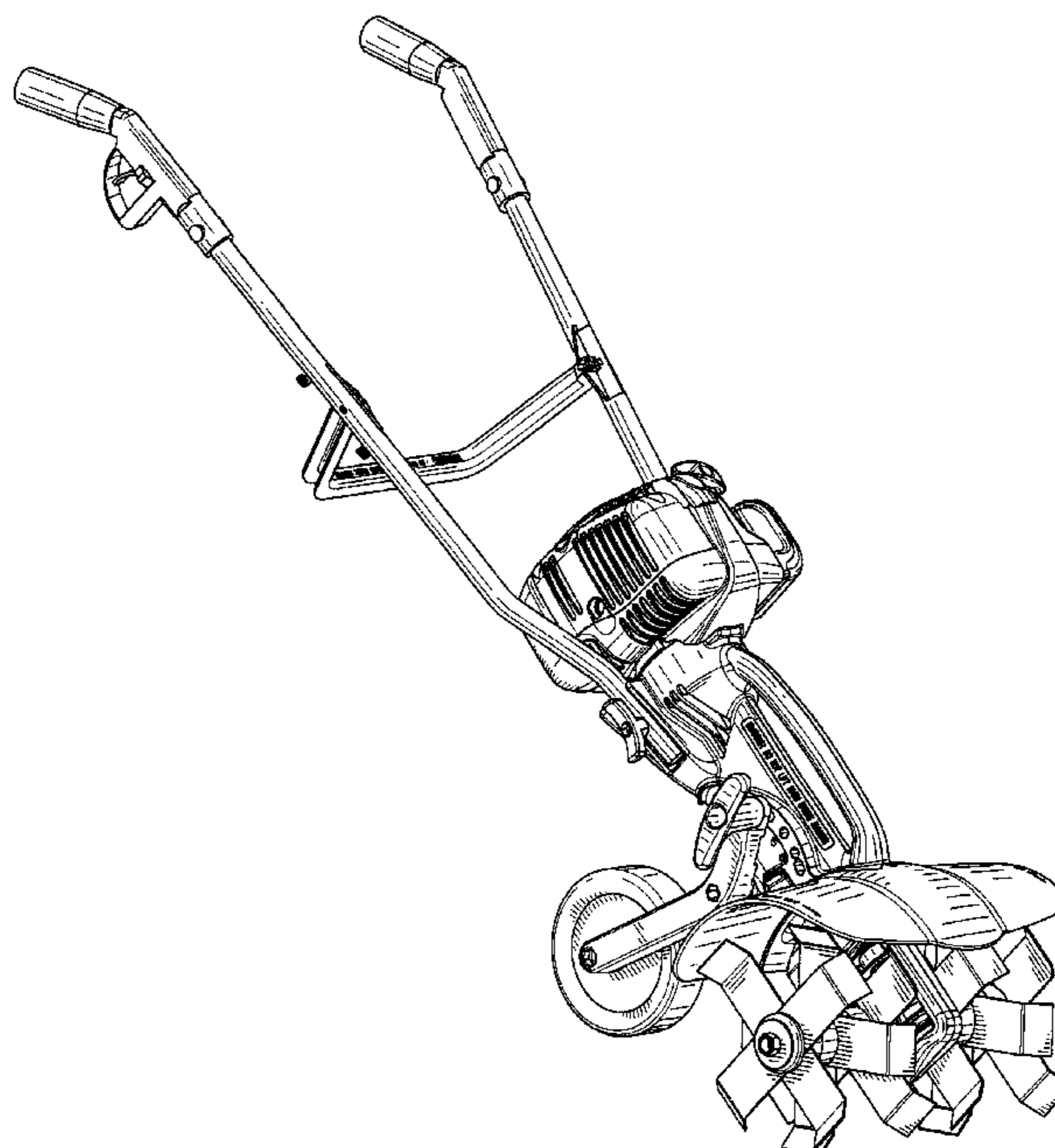
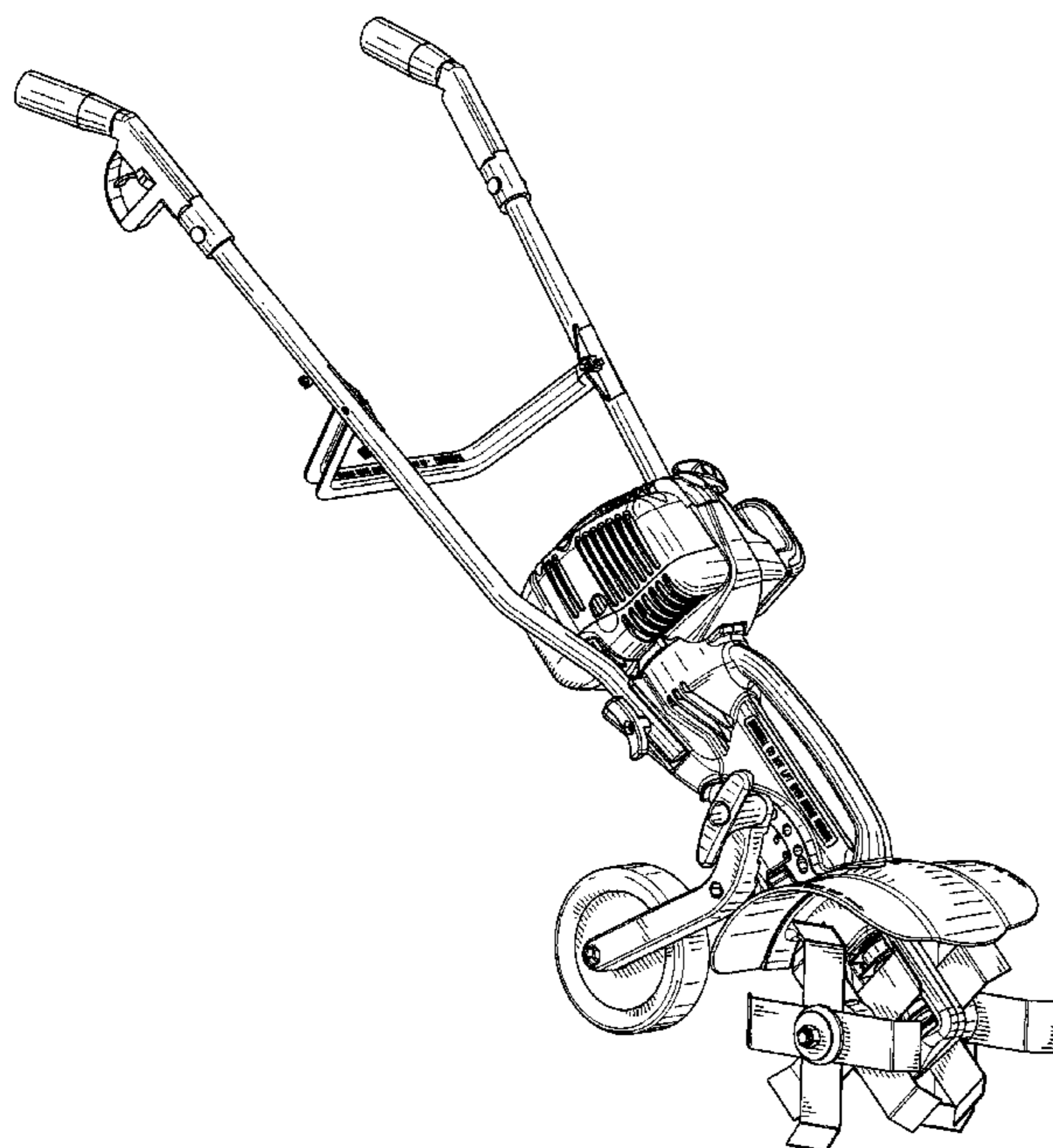
FIG. 12 is a left side orthographic view thereof;

FIG. 13 is a top orthographic view thereof; and,

FIG. 14 is a bottom orthographic view thereof.

The broken lines shown in FIGS. 1-14 are included for the purpose of illustrating environmental elements only and form no part of the claimed design.

1 Claim, 14 Drawing Sheets



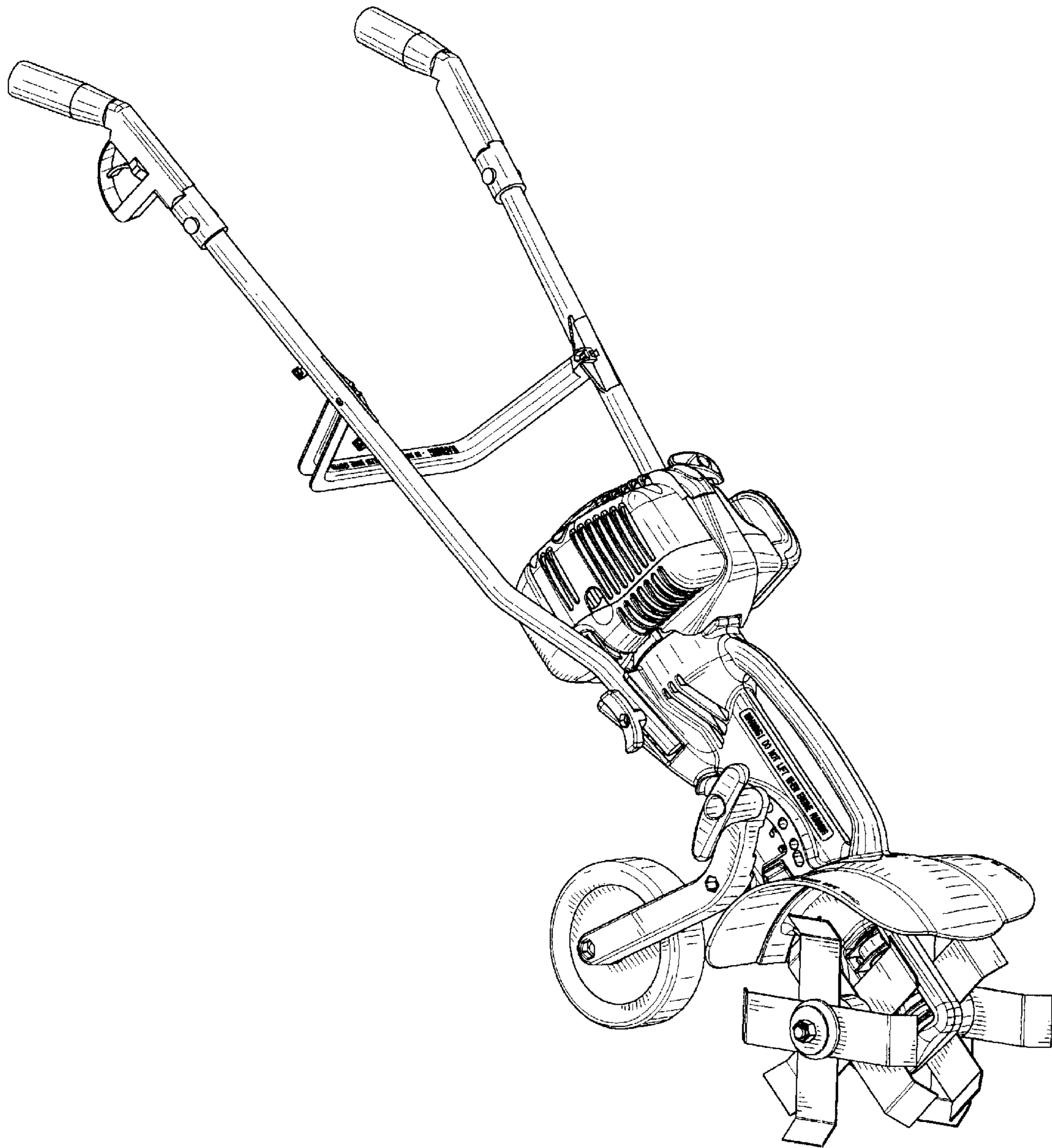


FIG. 1

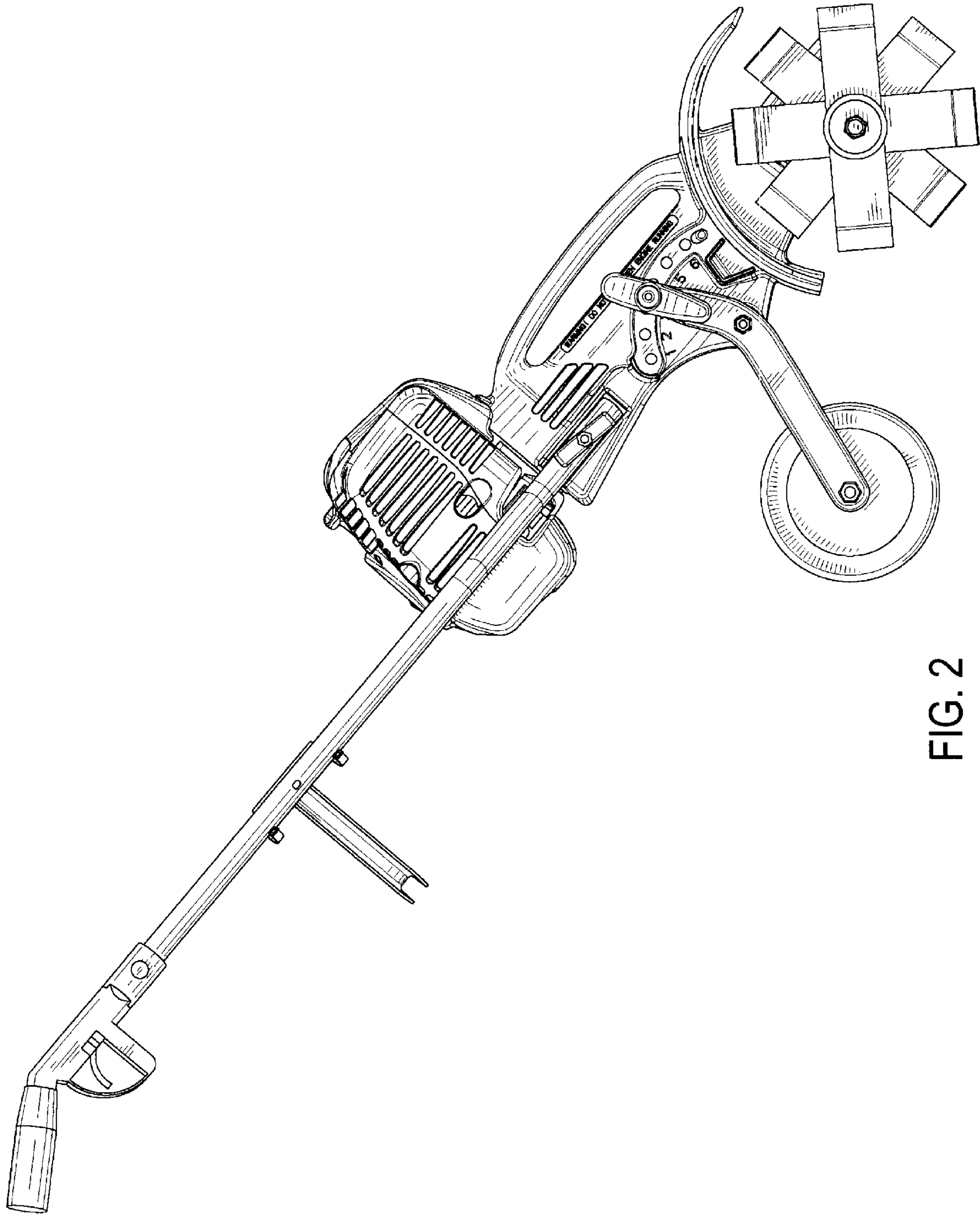


FIG. 2

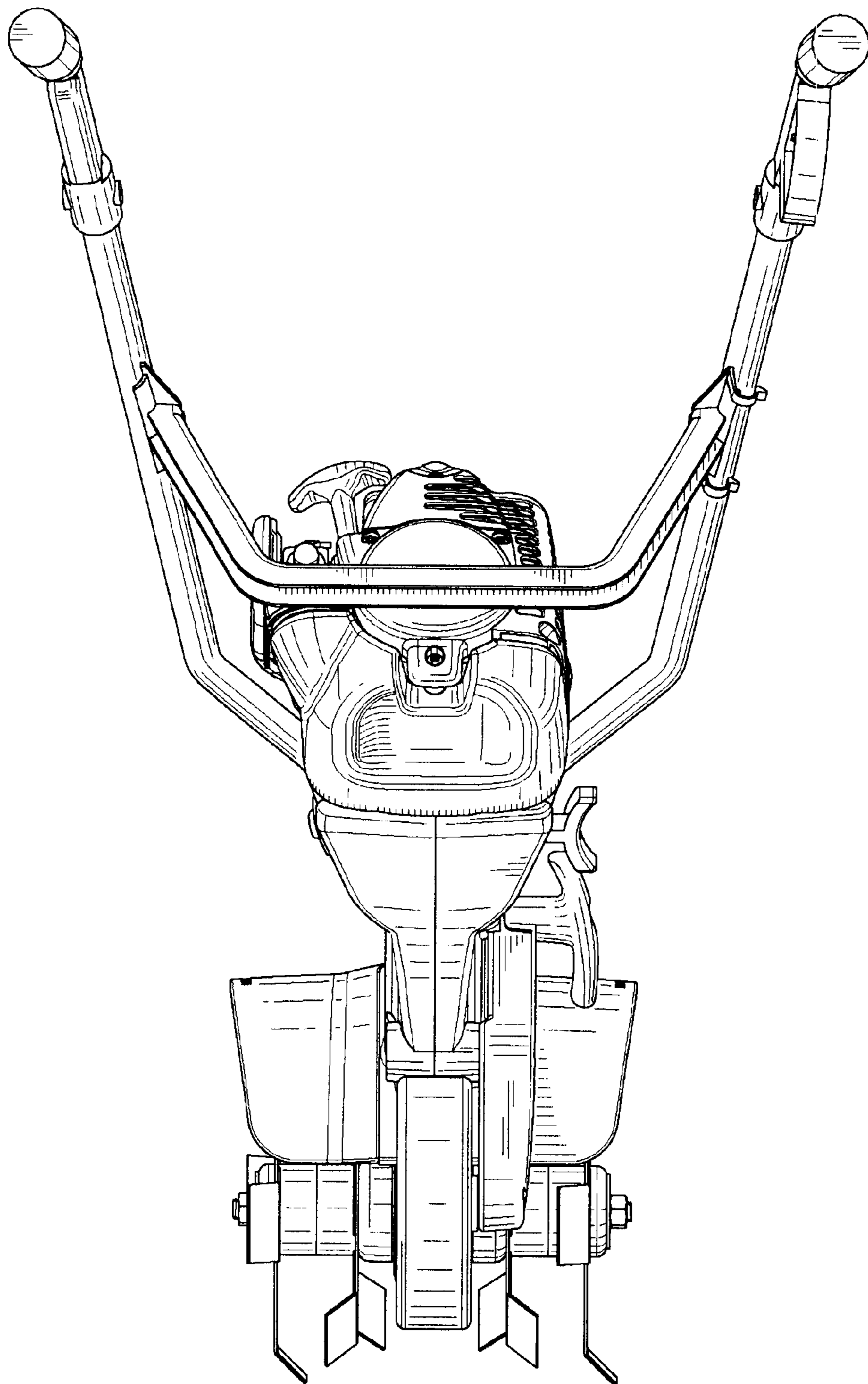


FIG. 3

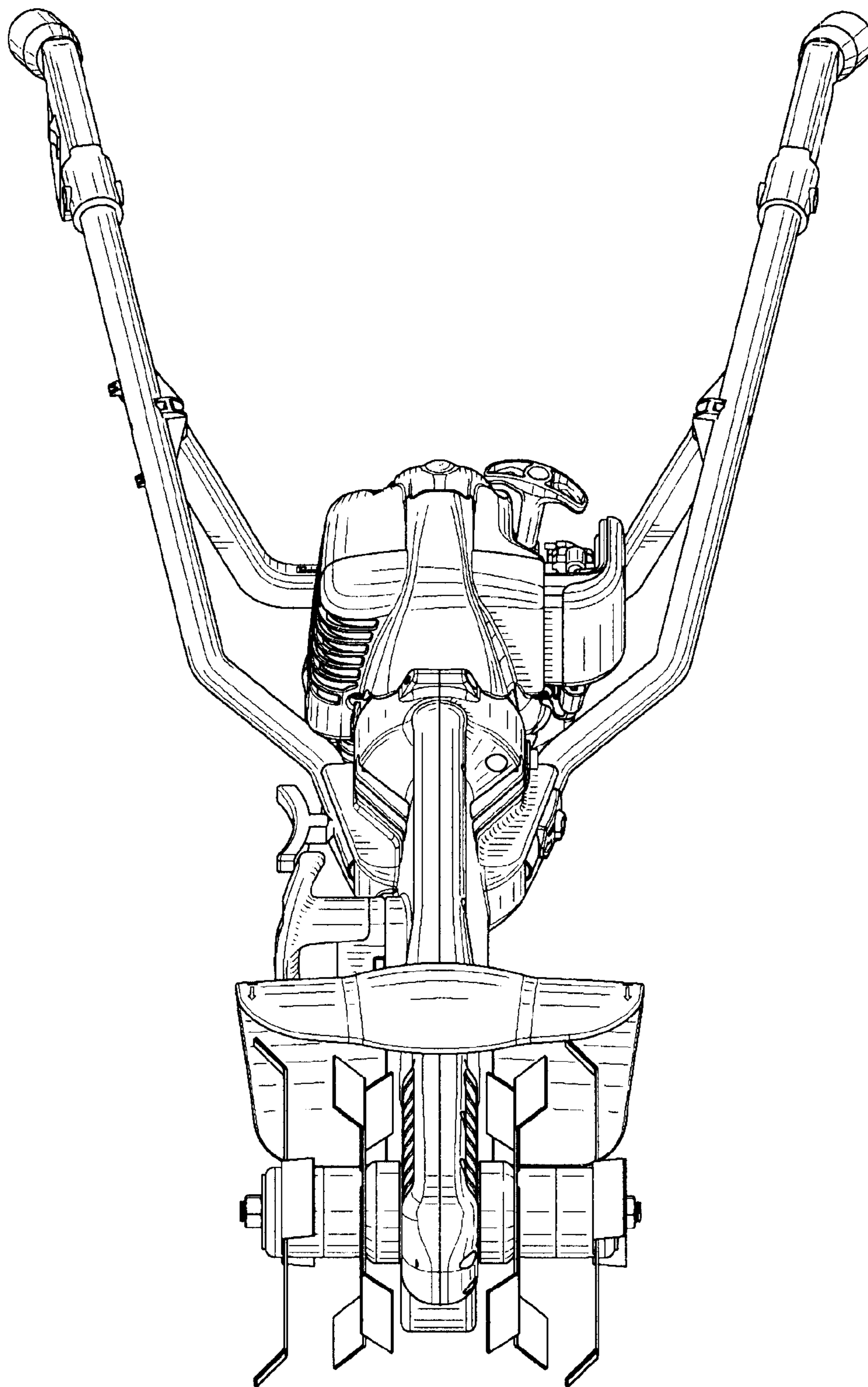


FIG. 4

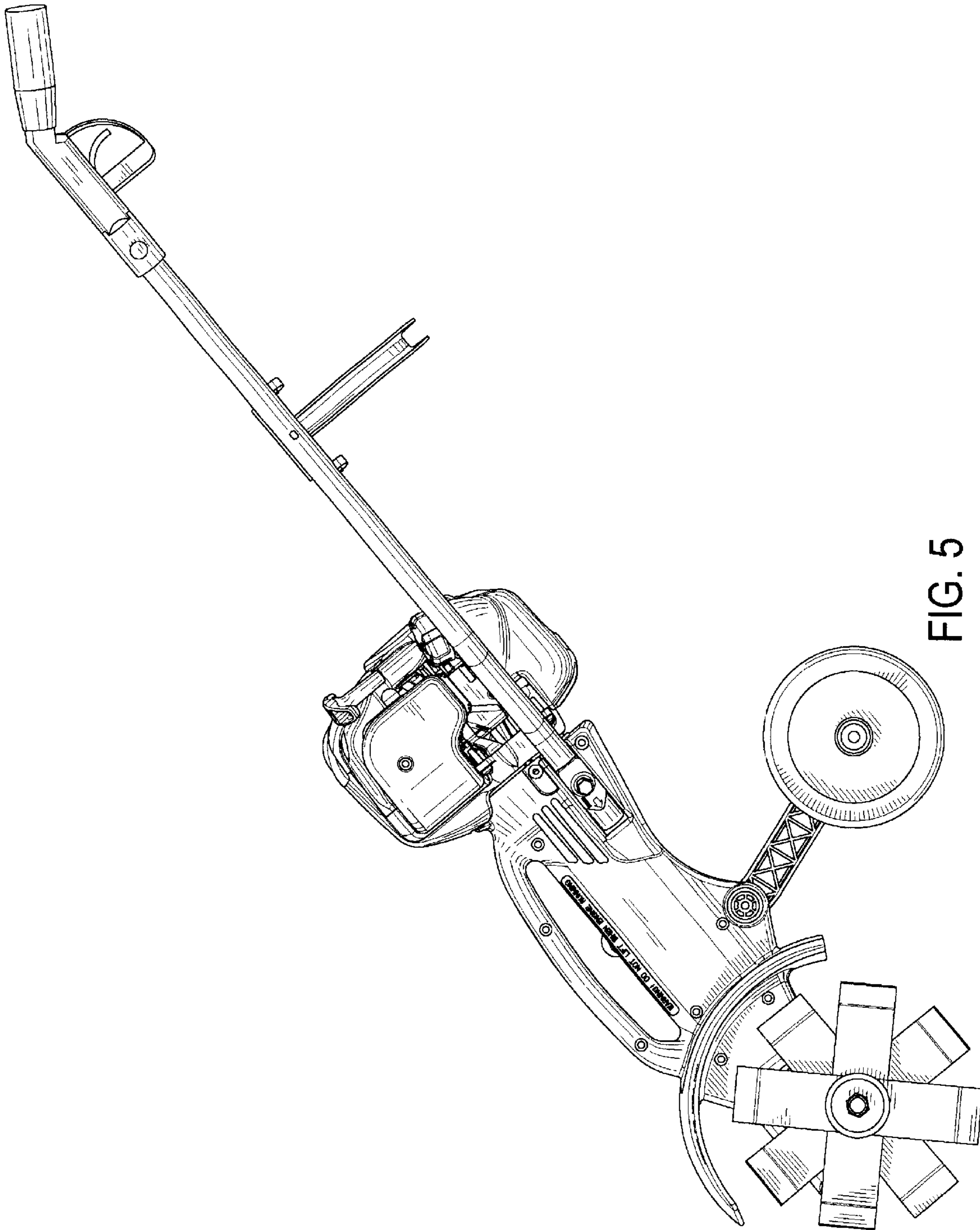


FIG. 5

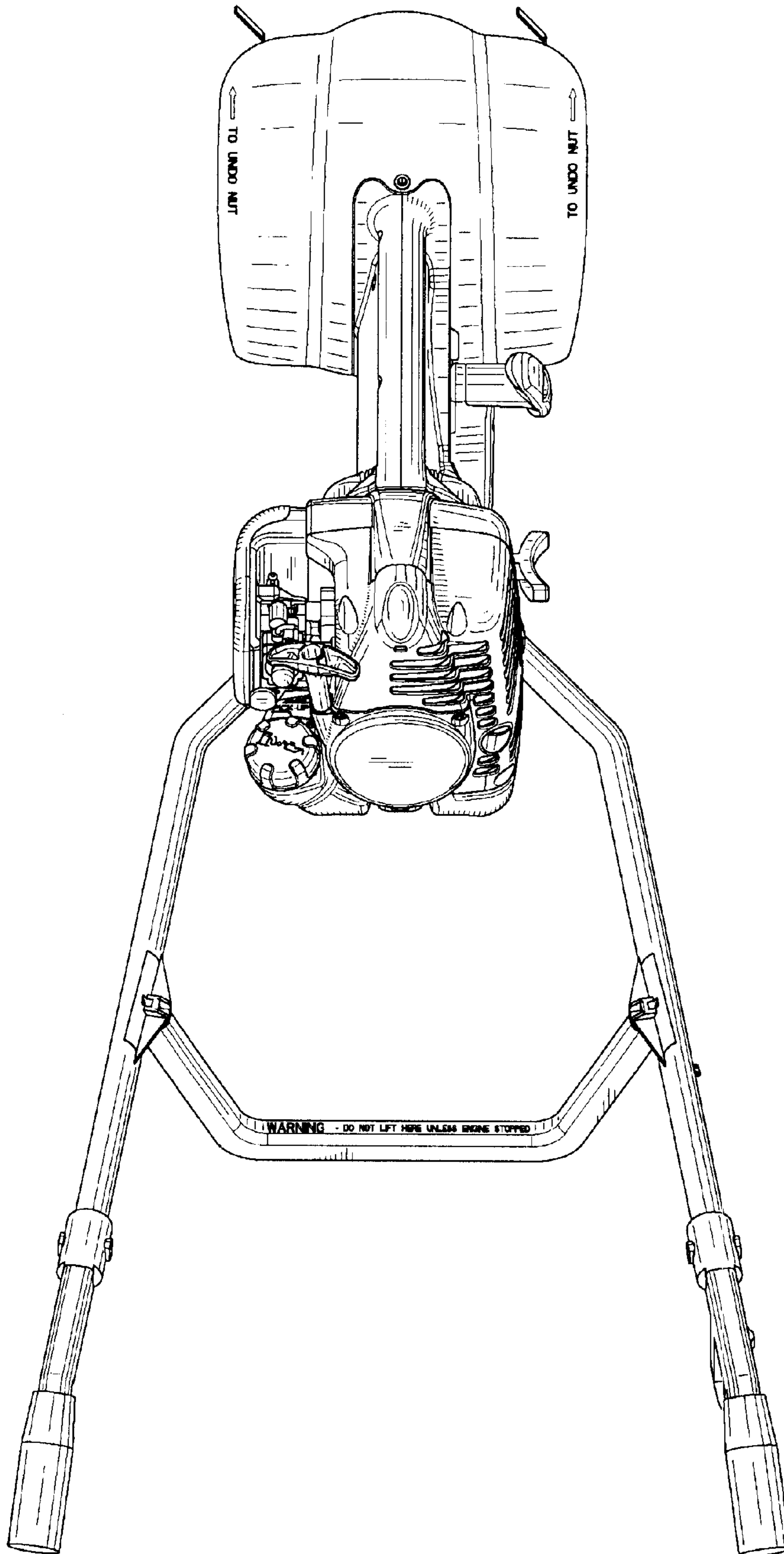


FIG. 6

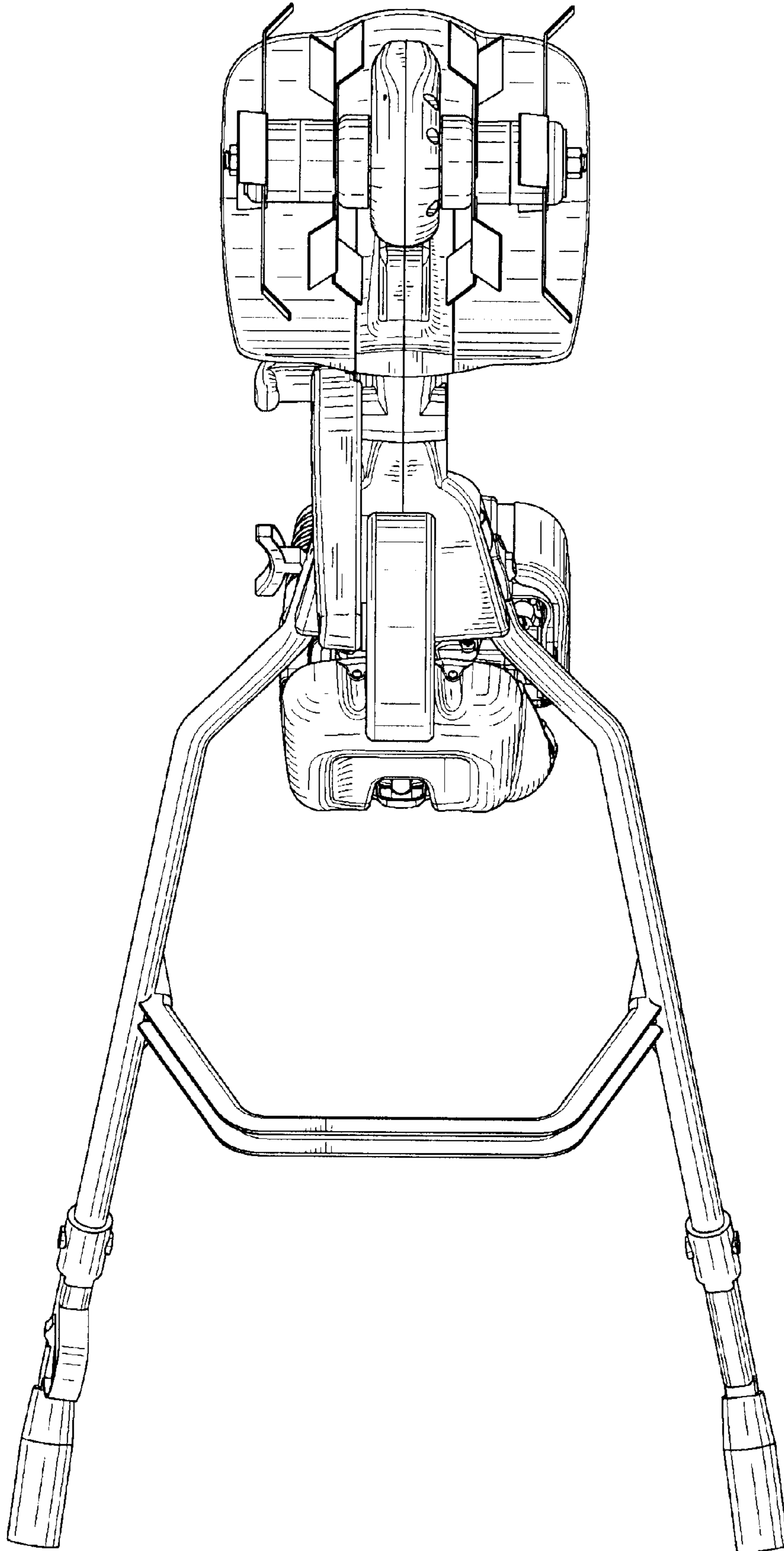


FIG. 7

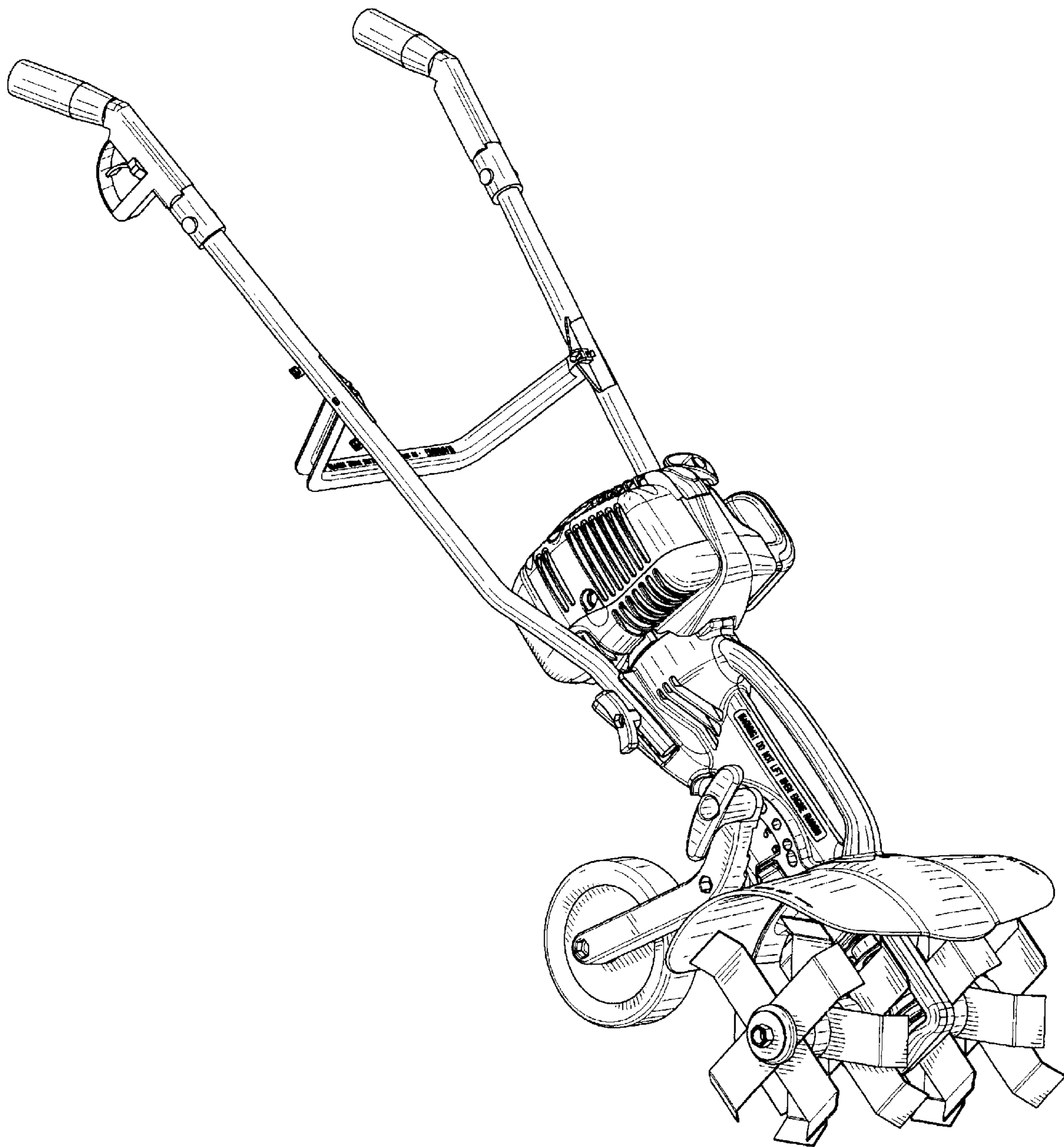


FIG. 8

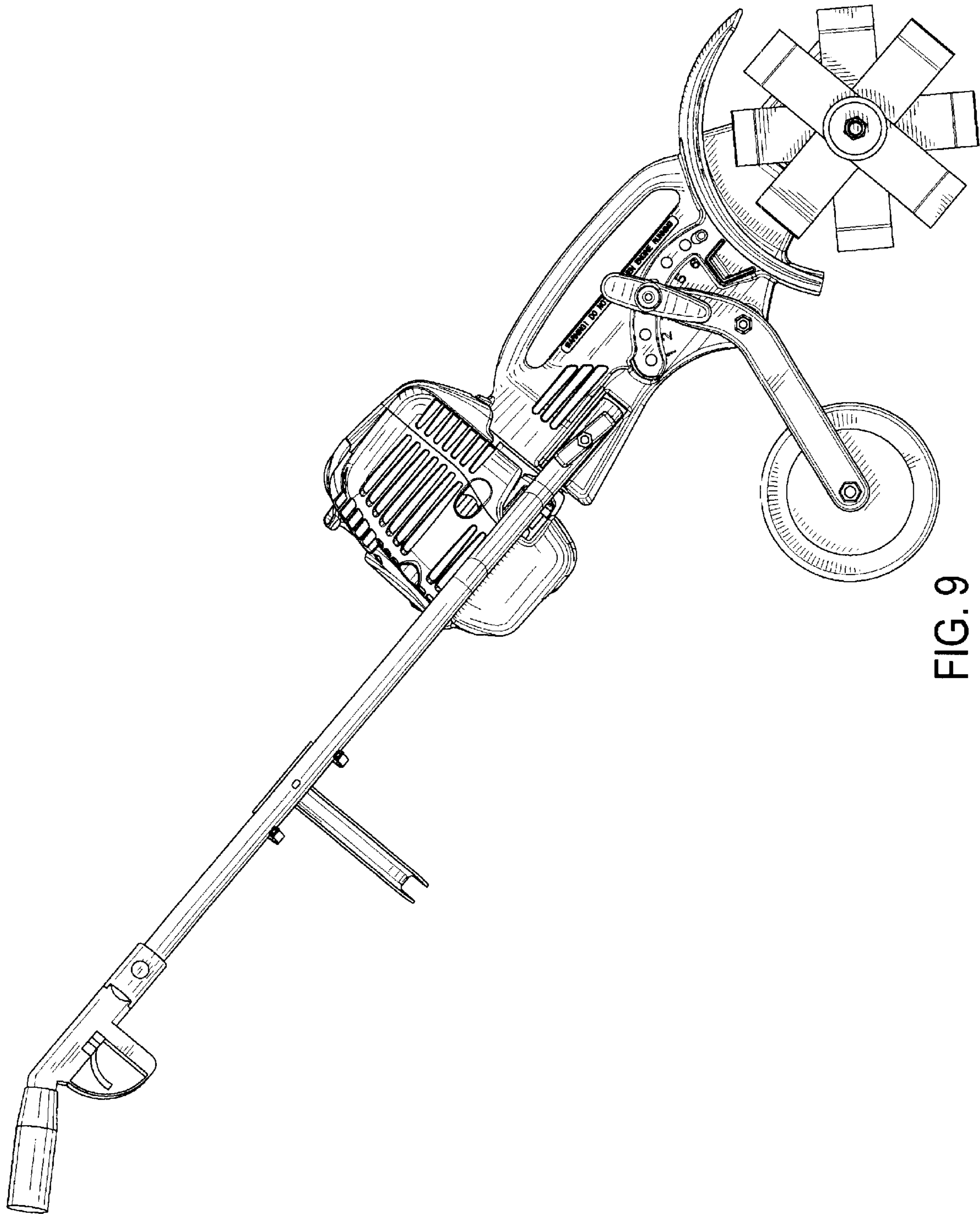


FIG. 9

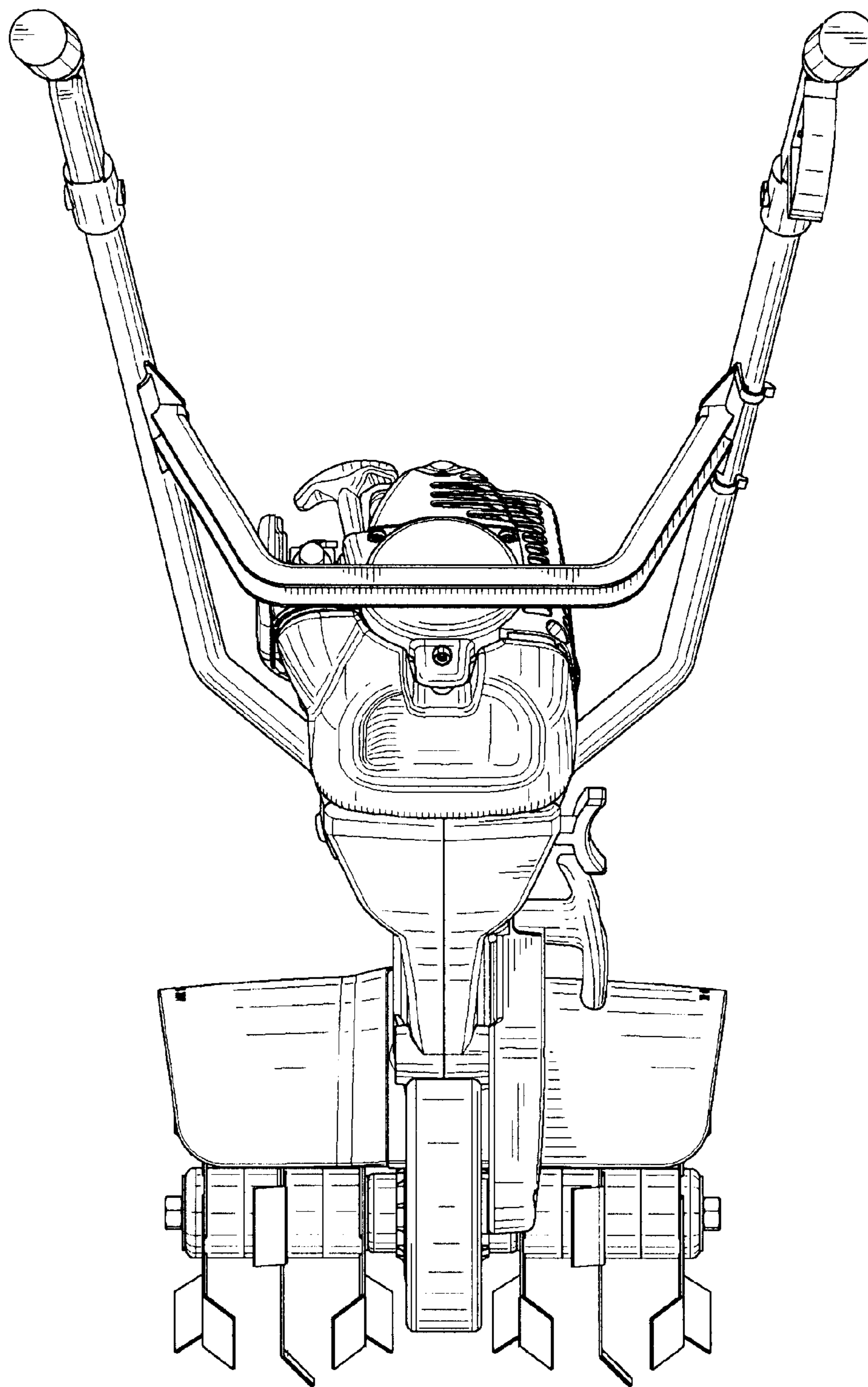


FIG. 10

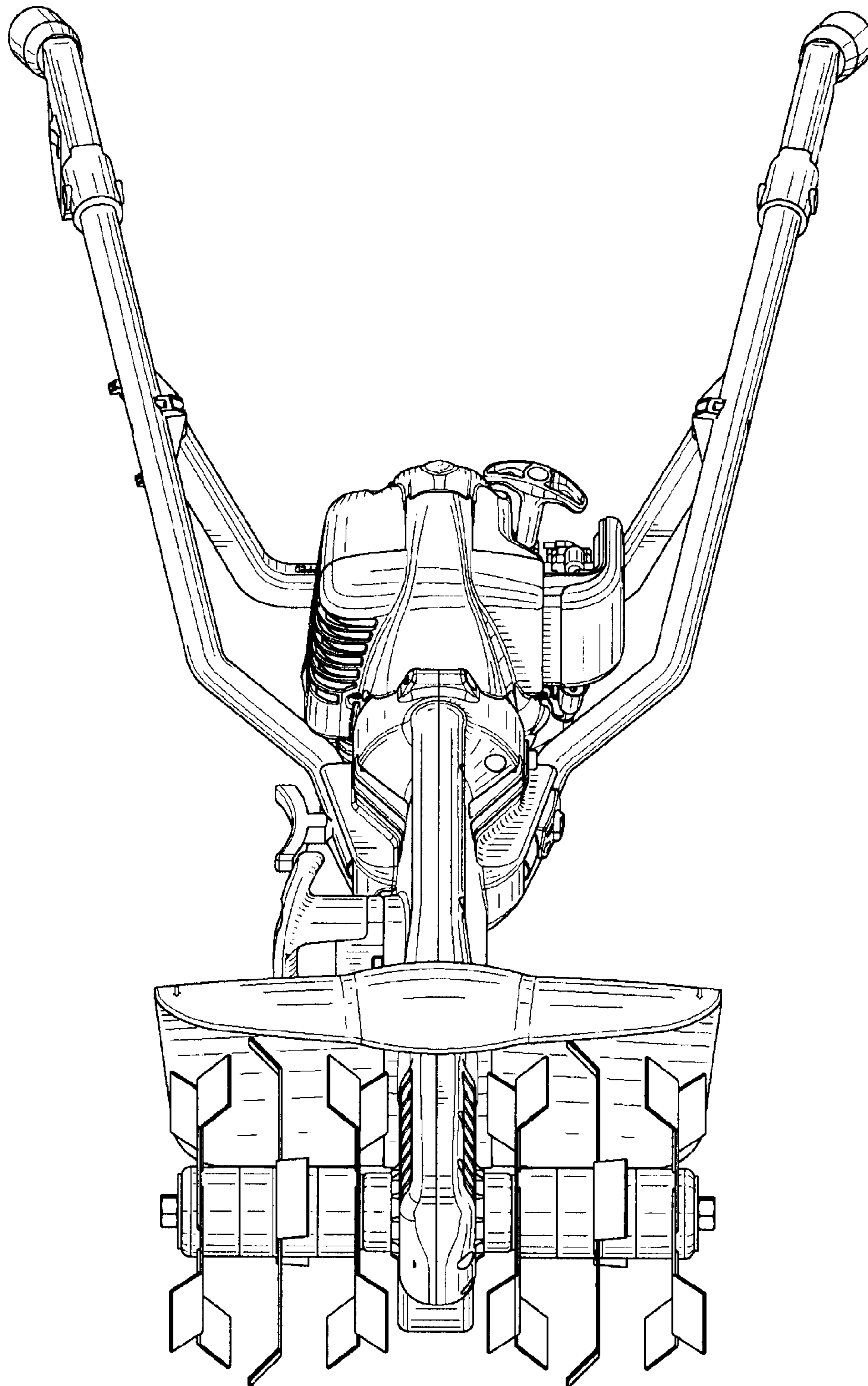


FIG. 11

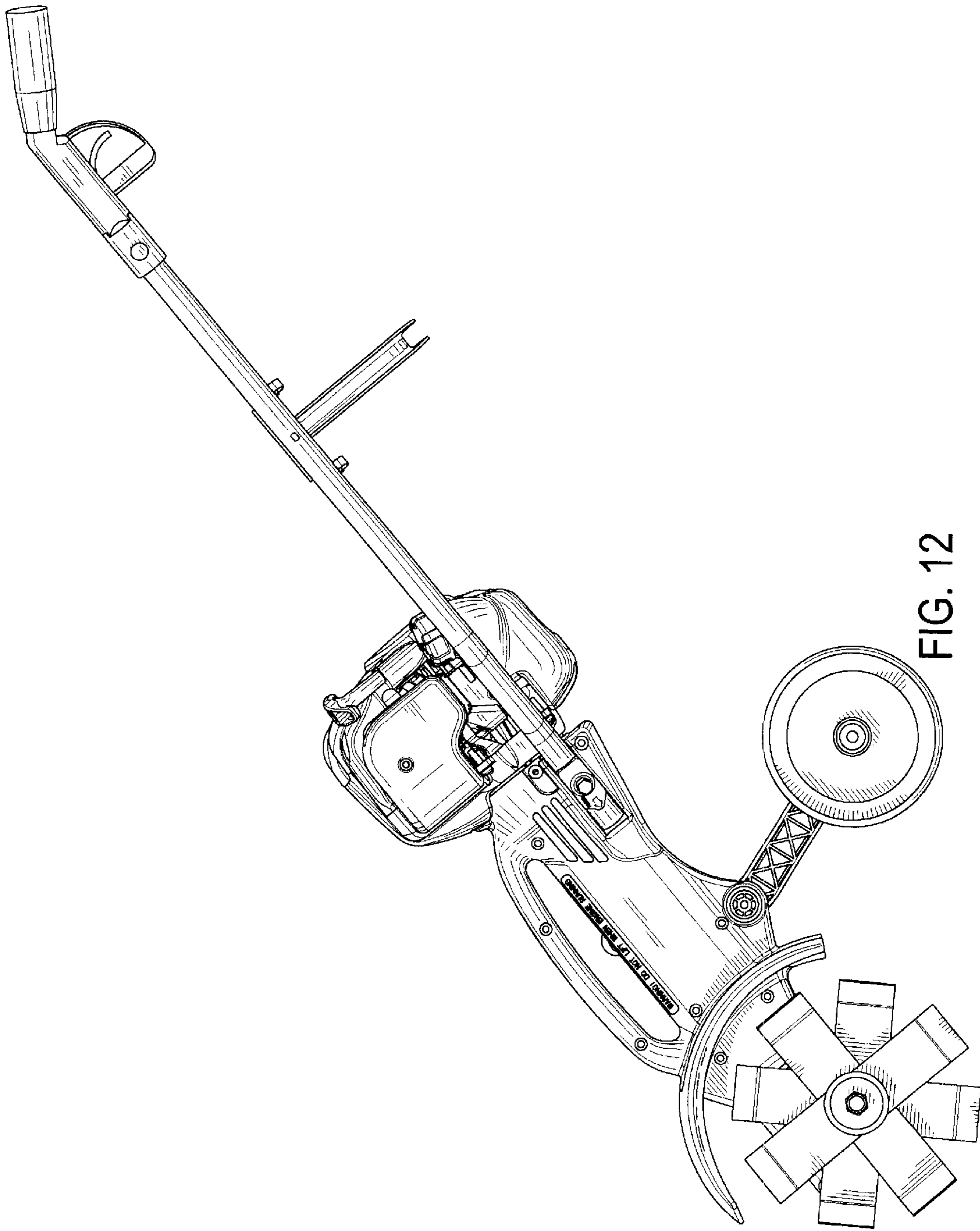


FIG. 12

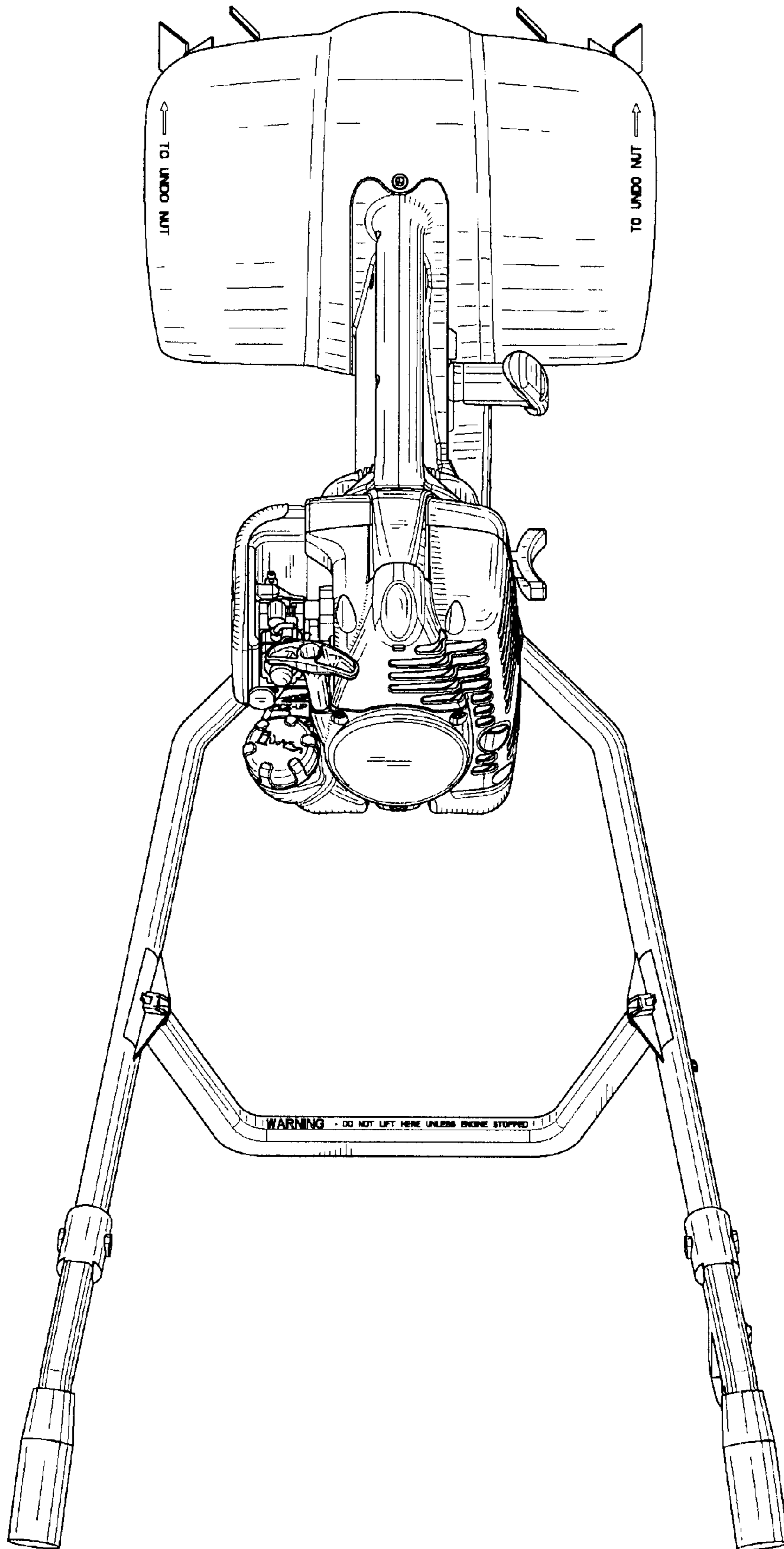


FIG. 13

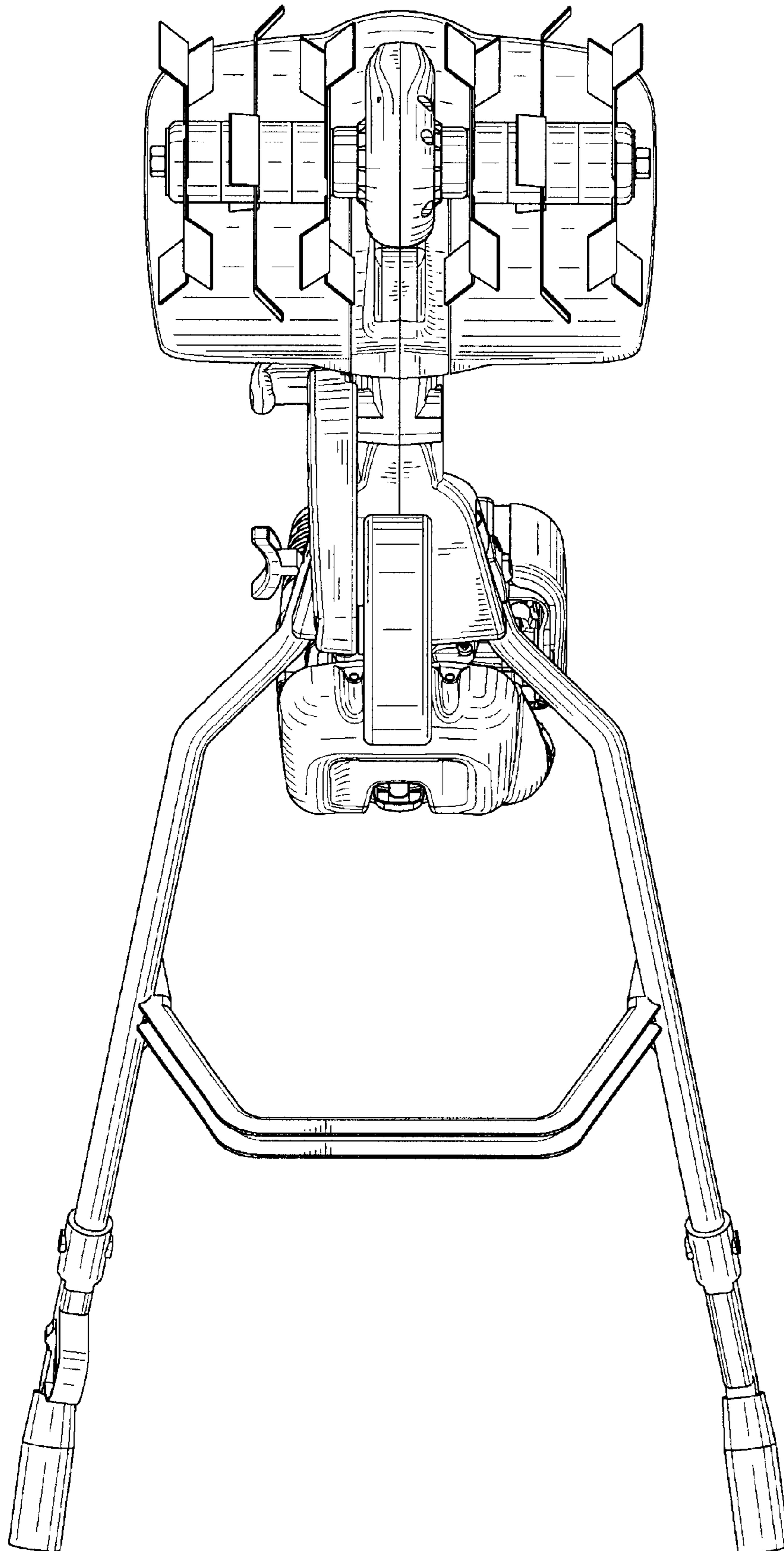


FIG. 14